



US00D718546S

(12) **United States Design Patent**
Christakos

(10) **Patent No.:** **US D718,546 S**
(45) **Date of Patent:** **** Dec. 2, 2014**

- (54) **BUNGEE CHAIR**
 - (71) Applicant: **Blu Dot Design & Manufacturing, Inc.**,
Minneapolis, MN (US)
 - (72) Inventor: **John N. Christakos**, Minneapolis, MN
(US)
 - (73) Assignee: **Blu Dot Design & Manufacturing, Inc.**,
Minneapolis, MN (US)
 - (**) Term: **14 Years**
 - (21) Appl. No.: **29/488,620**
 - (22) Filed: **Apr. 22, 2014**
 - (51) **LOC (10) Cl.** **06-01**
 - (52) **U.S. Cl.**
USPC **D6/368**
 - (58) **Field of Classification Search**
USPC D6/329, 334–336, 348–349, 363,
D6/366–369, 371–376, 379, 716,
D6/716.1–716.4; D21/797; 297/16.1, 16.2,
297/31, 34, 45–47, 50, 56, 271.6, 314,
297/411.41, 411.42, 440.11, 440.24, 448.1,
297/448.2, 451.4, 452.12, 452.13; 473/197,
473/431, 456; 482/28
- See application file for complete search history.

| | | | |
|----------------|---------|---------------------|---------|
| D184,202 S | 12/1958 | Yuen | |
| 2,916,744 A | 12/1959 | May et al. | |
| 2,930,430 A | 3/1960 | Bloom | |
| 3,180,685 A | 4/1965 | Rogalski et al. | |
| 3,656,808 A | 4/1972 | Chang | |
| 3,694,030 A | 9/1972 | Grosfillex | |
| D287,909 S * | 1/1987 | Weiss | D6/329 |
| D292,048 S | 9/1987 | Shaffer | |
| 5,338,097 A | 8/1994 | Tan | |
| 5,496,094 A * | 3/1996 | Schwartzkopf et al. | 297/45 |
| 5,695,253 A | 12/1997 | Jenkins | |
| D427,797 S | 7/2000 | Tseng | |
| D429,303 S | 8/2000 | Peterson, Jr. | |
| 6,312,343 B1 * | 11/2001 | Cho | 473/197 |
| 6,332,646 B1 | 12/2001 | Tseng | |
| 6,352,480 B1 * | 3/2002 | Macaluso | 473/197 |

(Continued)

OTHER PUBLICATIONS

Advertisement from Target, "Woven Techniques Hard Goods", Interior Design Capsule, made publicly available by at least Feb. 27, 2012.

Primary Examiner — Ricky Pham

(74) *Attorney, Agent, or Firm* — Fredrikson & Byron, P.A.

(57) **CLAIM**

I claim the ornamental design for a bungee chair, as shown and described.

DESCRIPTION

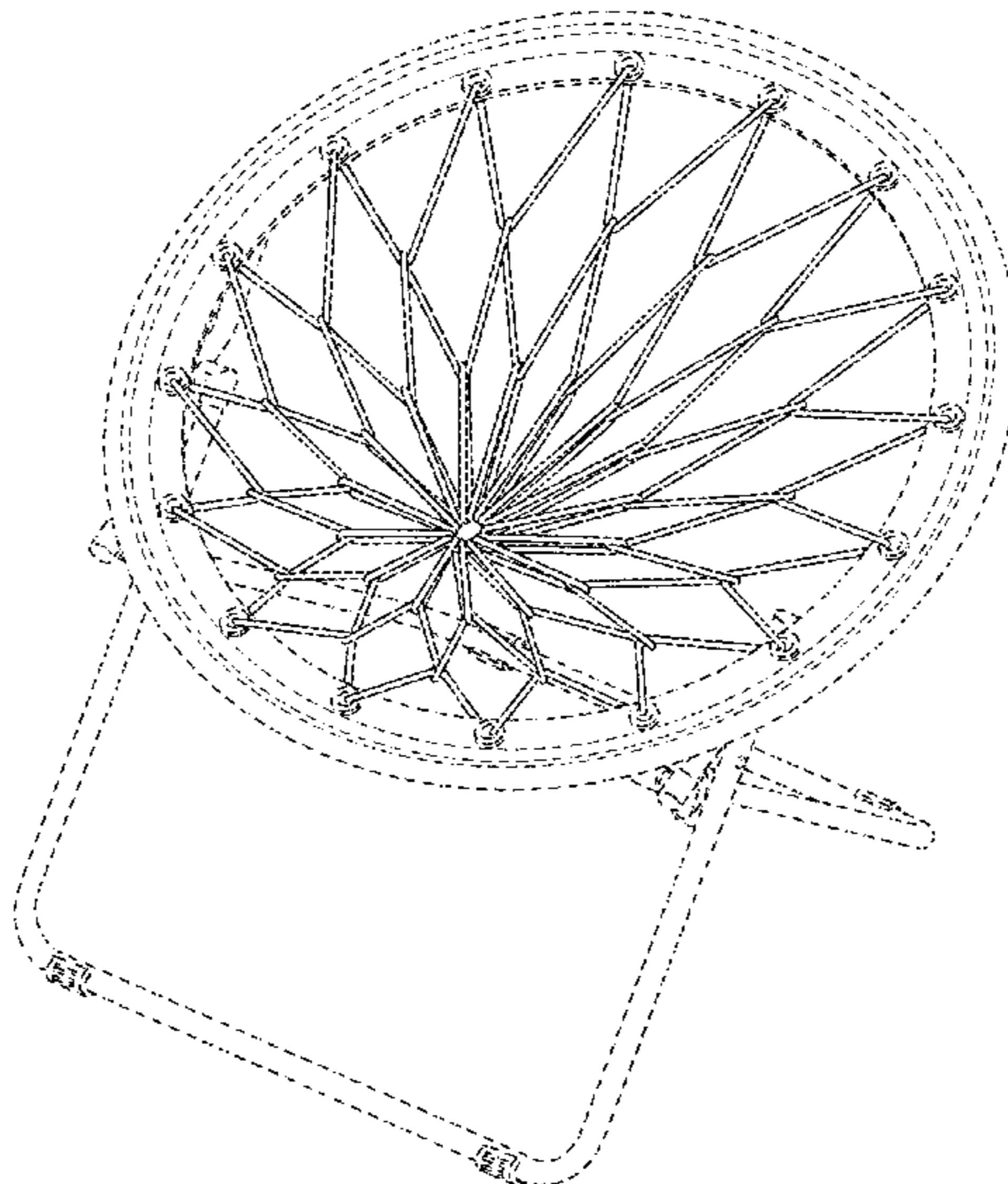
FIG. 1 is a perspective of my new design for a bungee chair; FIG. 2 is front view thereof; FIG. 3 is a rear view thereof; FIG. 4 is a right side view thereof; FIG. 5 is a left side view thereof; FIG. 6 is a top view thereof; and, FIG. 7 is a bottom view thereof. The broken lines shown in the drawings are for illustrative purposes only and form no part of the claimed design.

1 Claim, 7 Drawing Sheets

(56) **References Cited**

U.S. PATENT DOCUMENTS

| | | | |
|---------------|---------|------------|------------|
| 2,590,049 A * | 3/1952 | Sidlinger | 482/28 |
| D168,212 S | 11/1952 | Cicchelli | |
| 2,649,901 A * | 8/1953 | Johnson | 297/411.42 |
| D171,265 S | 1/1954 | Phillips | |
| 2,684,709 A | 7/1954 | Schawinsky | |
| 2,713,890 A * | 7/1955 | Mack | 297/31 |
| 2,723,712 A | 11/1955 | Yellen | |
| 2,733,755 A * | 2/1956 | Boucher | 297/411.41 |
| 2,763,318 A * | 9/1956 | Bertoia | 297/448.2 |
| D179,376 S | 12/1956 | Breed | |



(56)

References Cited

U.S. PATENT DOCUMENTS

| | | | | | |
|--------------|---------|--------------------|-------------------|---------|-------------------------------|
| 6,447,057 B1 | 9/2002 | Chen | D608,104 S | 1/2010 | Vonnegut |
| 6,554,717 B2 | 4/2003 | Cho | 7,648,421 B2 | 1/2010 | Yoon |
| D475,860 S | 6/2003 | Yang | 7,878,585 B2 | 2/2011 | Salisbury |
| 6,702,371 B2 | 3/2004 | Zheng | D637,828 S | 5/2011 | Horn et al. |
| 6,824,208 B2 | 11/2004 | Zheng | 7,938,489 B2 | 5/2011 | Nazari |
| D499,258 S | 12/2004 | Tseng | 7,967,374 B2 | 6/2011 | Akkad |
| 6,840,573 B1 | 1/2005 | Yao | D649,800 S | 12/2011 | Lievore et al. |
| 6,848,740 B1 | 2/2005 | Reese | D656,326 S | 3/2012 | Soewondo |
| D503,289 S | 3/2005 | Eyman et al. | D661,360 S * | 6/2012 | Campanaro et al. D21/797 |
| 6,877,814 B2 | 4/2005 | Lin | 8,282,509 B1 | 10/2012 | Michaelson et al. |
| 6,883,862 B1 | 4/2005 | Yao | D677,920 S | 3/2013 | Christakos |
| D507,121 S | 7/2005 | Eyman | D681,970 S | 5/2013 | Christakos |
| D507,616 S | 7/2005 | Simpson | D683,156 S | 5/2013 | Christakos |
| D507,891 S | 8/2005 | Eyman et al. | D688,057 S | 8/2013 | Christakos |
| 6,938,951 B1 | 9/2005 | Tseng | D691,384 S | 10/2013 | Akkad |
| 6,939,241 B1 | 9/2005 | Chang | D701,703 S | 4/2014 | Aiello |
| 6,957,852 B1 | 10/2005 | Hsieh | D703,460 S * | 4/2014 | Kreuzer et al. D6/368 |
| 6,971,712 B1 | 12/2005 | Tseng | 2001/0009871 A1 | 7/2001 | Cho |
| 7,000,983 B1 | 2/2006 | Tsai | 2002/0145326 A1 * | 10/2002 | Liu 297/440.11 |
| D516,330 S | 3/2006 | Ruiter | 2002/0183128 A1 | 12/2002 | Cho |
| 7,011,372 B1 | 3/2006 | Hsieh | 2003/0008721 A1 | 1/2003 | Macaluso |
| D528,317 S * | 9/2006 | Tseng D6/368 | 2003/0060309 A1 | 3/2003 | Smith |
| 7,144,078 B2 | 12/2006 | Hsieh | 2003/0078111 A1 | 4/2003 | Wenzler |
| 7,178,864 B2 | 2/2007 | Hsieh | 2003/0168900 A1 | 9/2003 | Poli |
| 7,264,245 B2 | 9/2007 | Cho | 2003/0234561 A1 | 12/2003 | Zheng |
| D554,873 S | 11/2007 | Ma | 2004/0245810 A1 | 12/2004 | Tseng |
| D555,378 S | 11/2007 | Tsai | 2005/0088018 A1 | 4/2005 | Yao |
| 7,311,617 B2 | 12/2007 | Langhorn | 2006/0232108 A1 | 10/2006 | Hsieh |
| D565,310 S | 4/2008 | Marin et al. | 2006/0249991 A1 | 11/2006 | Hsieh |
| D571,572 S | 6/2008 | Tseng | 2007/0052178 A1 | 3/2007 | Cottrell |
| 7,401,785 B1 | 7/2008 | Waite | 2007/0063550 A1 | 3/2007 | Lin |
| 7,404,601 B2 | 7/2008 | Cheng | 2007/0187897 A1 | 8/2007 | Dilling |
| 7,540,259 B2 | 6/2009 | Pape et al. | 2007/0187998 A1 | 8/2007 | Chen |
| | | | 2010/0164256 A1 | 7/2010 | Salisbury |
| | | | 2011/0043003 A1 | 2/2011 | Akkad |

* cited by examiner

Fig. 1

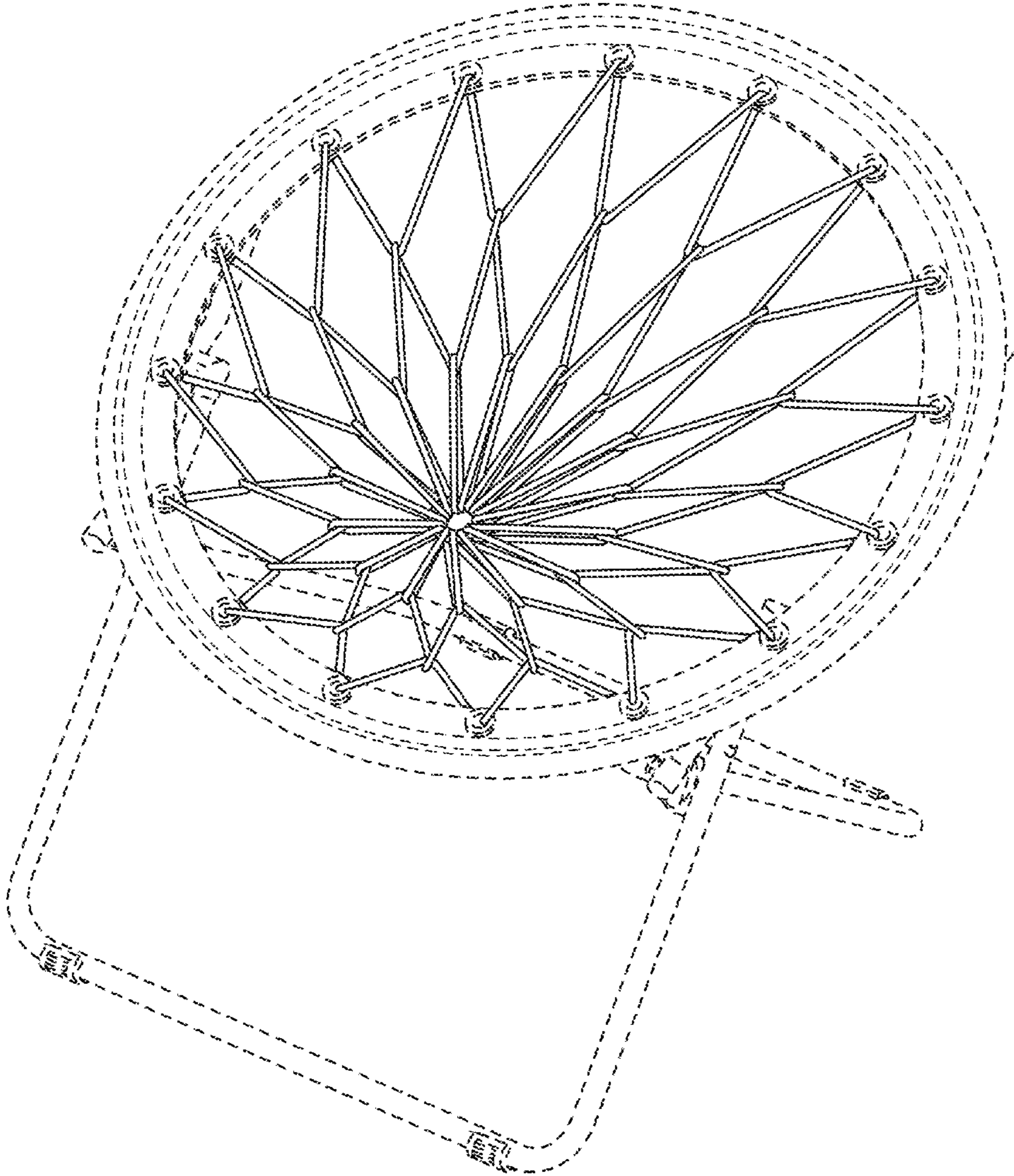


Fig. 2

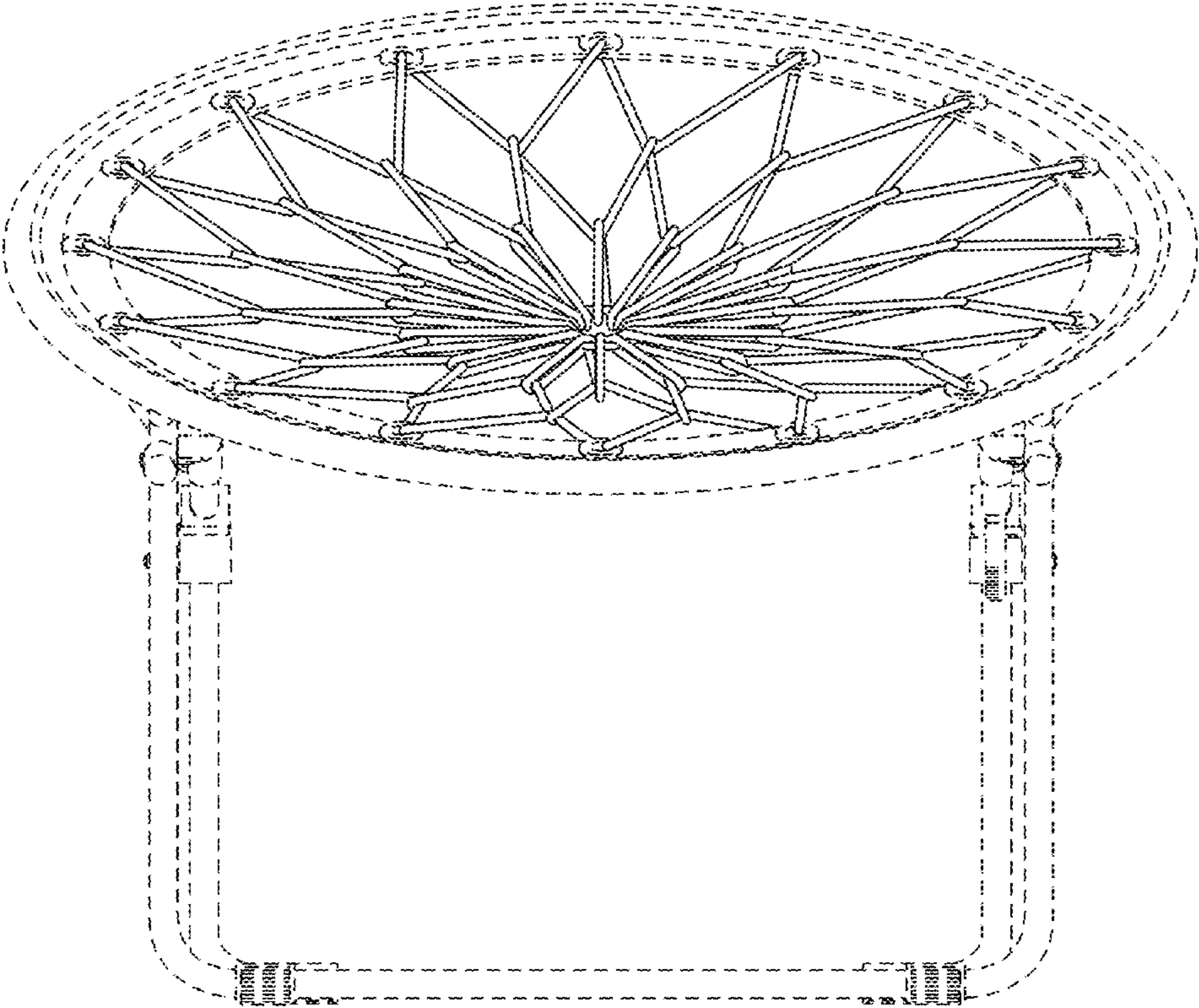


Fig. 3

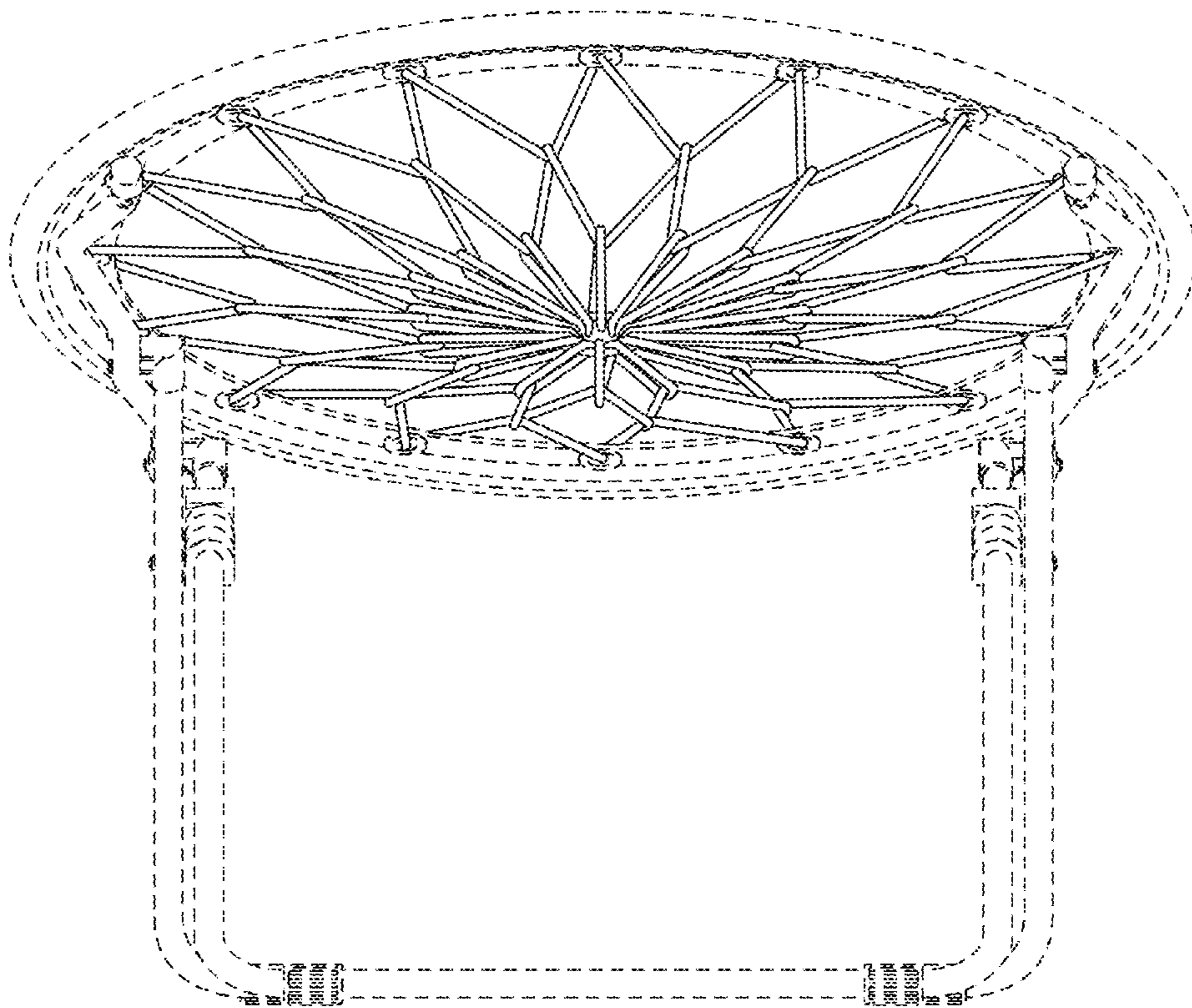


Fig. 4

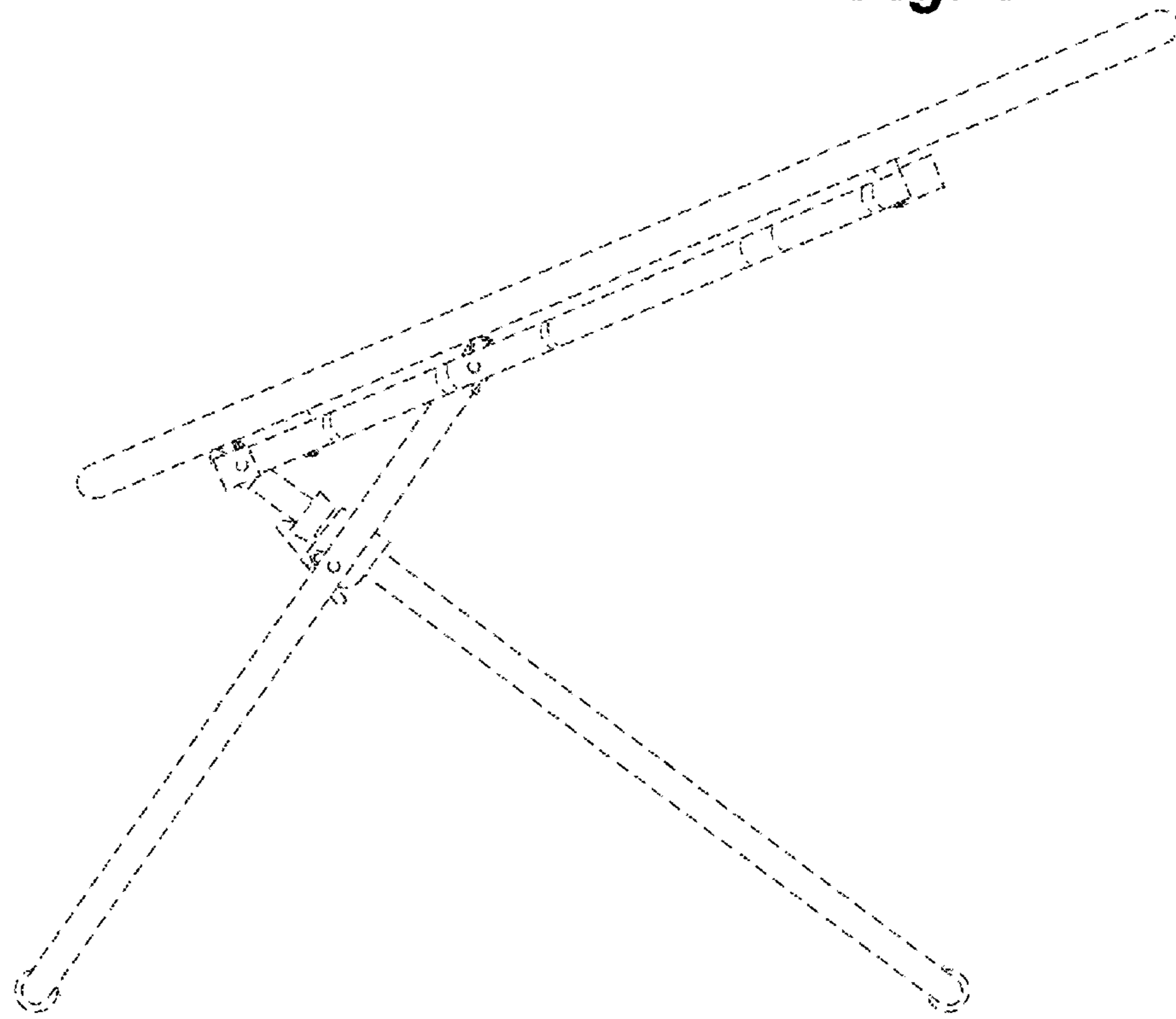


Fig. 5

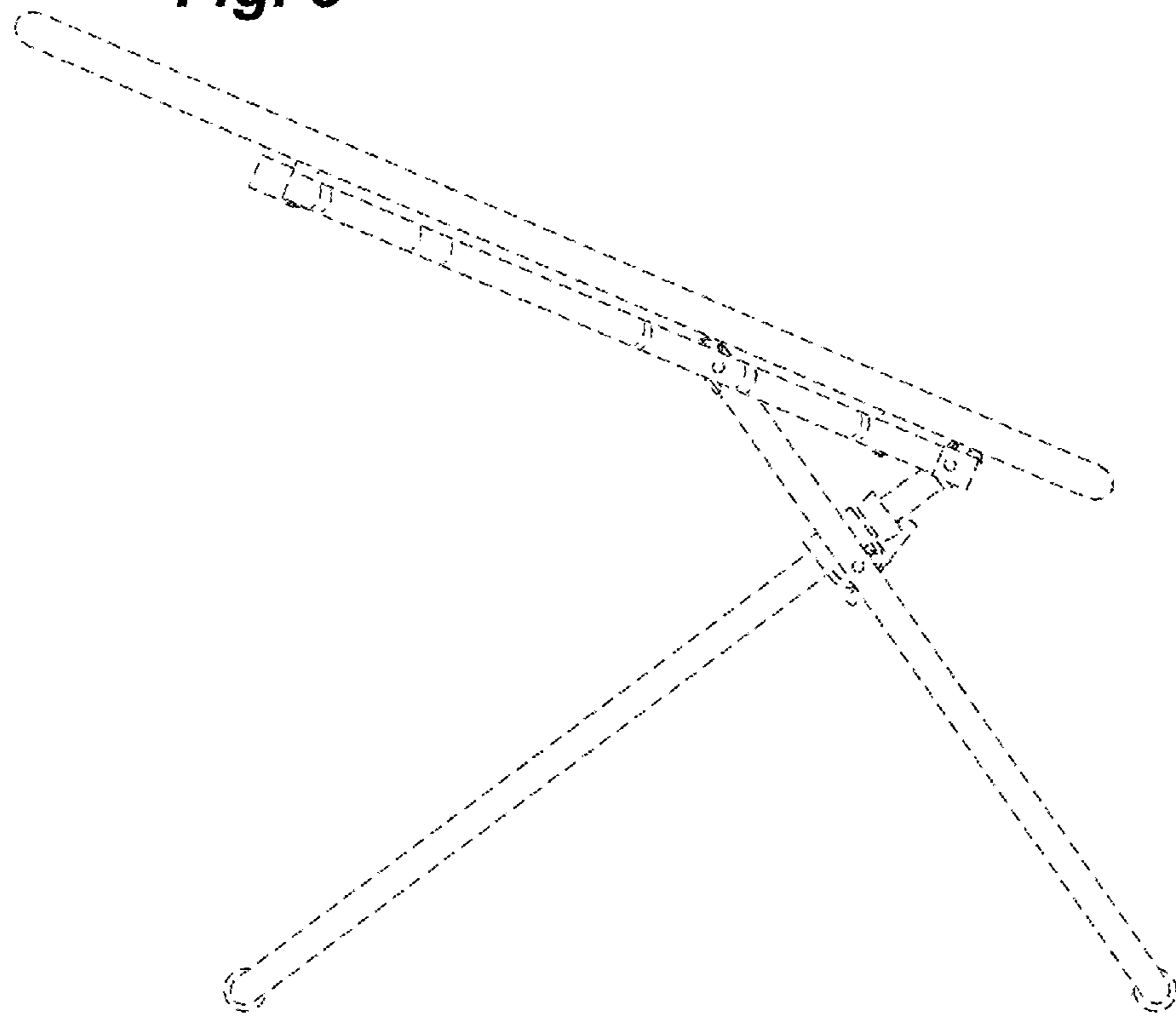


Fig. 6

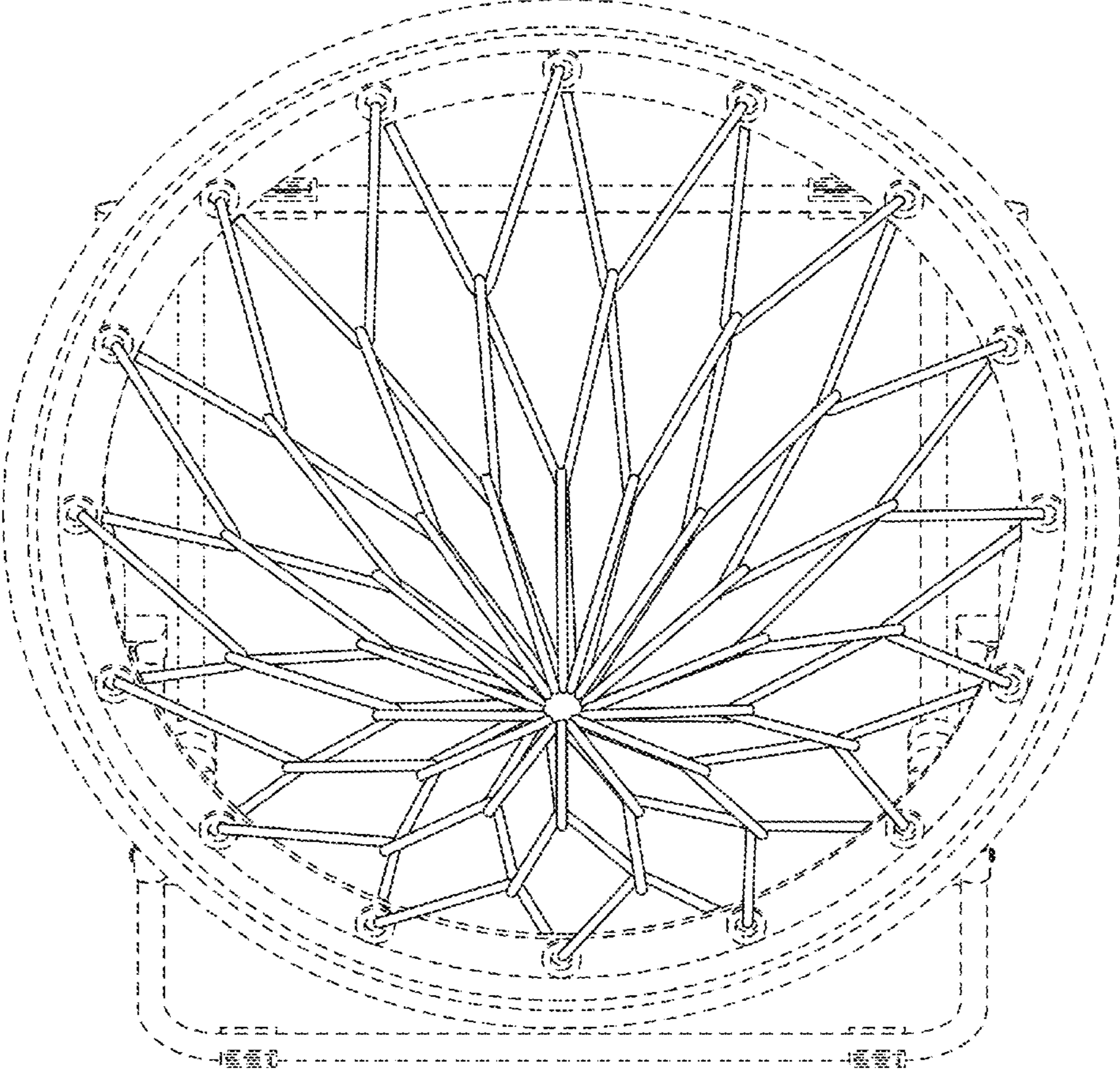


Fig. 7

