



US00D718542S

(12) **United States Design Patent**
Czumaj-Bront

(10) **Patent No.:** **US D718,542 S**

(45) **Date of Patent:** **** Dec. 2, 2014**

- (54) **CHAIR WITH WORK SURFACE**
- (71) Applicant: **Haworth, Inc.**, Holland, MI (US)
- (72) Inventor: **Nicolai Czumaj-Bront**, Grand Rapids, MI (US)
- (73) Assignee: **Haworth, Inc.**, Holland, MI (US)
- (**) Term: **14 Years**
- (21) Appl. No.: **29/453,397**
- (22) Filed: **Apr. 29, 2013**
- (51) **LOC (10) Cl.** **06-01**
- (52) **U.S. Cl.**
USPC **D6/338**
- (58) **Field of Classification Search**
USPC D6/334-338, 349, 355, 361, 368-370, D6/376, 379-381, 716, 716.1, 716.2, 340, D6/354; 297/16.1, 42, 94, 135, 175, 232, 297/233, 350, 351, 445.1, 448.1, 448.2, 297/451.9; 5/12.1, 12.2
See application file for complete search history.

D417,342 S *	12/1999	Holbrook	D6/341
D428,713 S *	8/2000	Arko et al.	D6/336
D477,921 S *	8/2003	Bosman et al.	D6/338
D497,487 S *	10/2004	Azumi et al.	D6/338
D530,106 S *	10/2006	Van Erum et al.	D6/338
D555,372 S *	11/2007	Lin	D6/336
D618,922 S *	7/2010	Fuchs	D6/338
D636,612 S *	4/2011	Overthun et al.	D6/338
8,696,056 B2 *	4/2014	Corcorran et al.	297/170
2007/0284920 A1 *	12/2007	Mehaffey et al.	297/162

* cited by examiner

Primary Examiner — Sandra Snapp

(74) *Attorney, Agent, or Firm* — Warner Norcross & Judd LLP

(57) **CLAIM**

The ornamental design for a chair with work surface, as shown and described.

DESCRIPTION

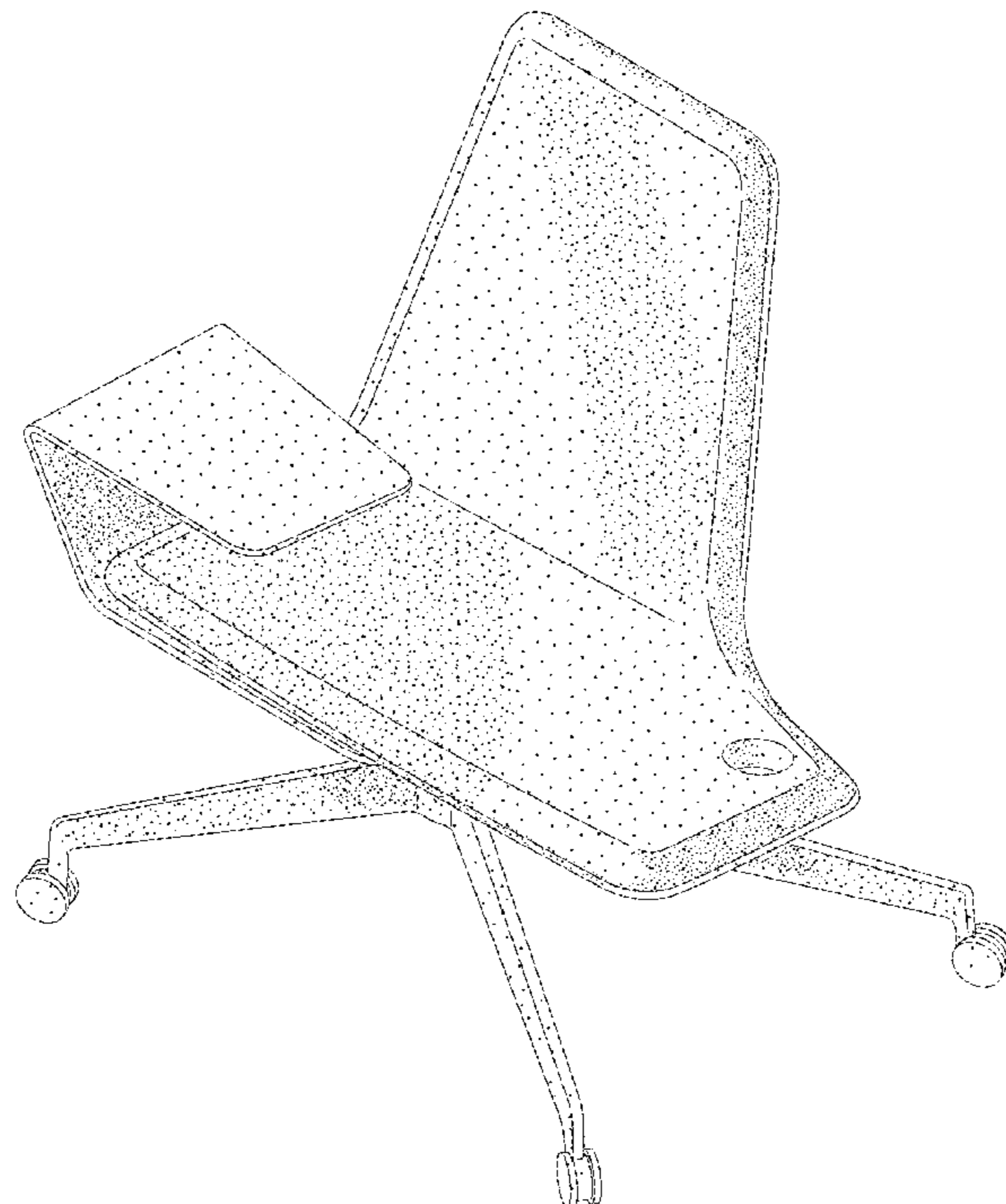
FIG. 1 is a perspective view of the chair with work surface embodying the new design;
 FIG. 2 is a right side view thereof
 FIG. 3 is a left side view thereof;
 FIG. 4 is a rear view thereof;
 FIG. 5 is a front view thereof;
 FIG. 6 is a top view thereof; and,
 FIG. 7 is a bottom view thereof.
 The portions shown in phantom lines in FIG. 7 is shown for environmental purposes only and forms no part of the claimed design.

1 Claim, 7 Drawing Sheets

(56) **References Cited**

U.S. PATENT DOCUMENTS

5,169,210 A *	12/1992	Fricano	297/188.21
D332,703 S *	1/1993	Gulliver	D6/338
D373,030 S *	8/1996	Chen	D6/341
D398,452 S *	9/1998	Reddig	D6/338
5,954,393 A *	9/1999	Perrin	297/161



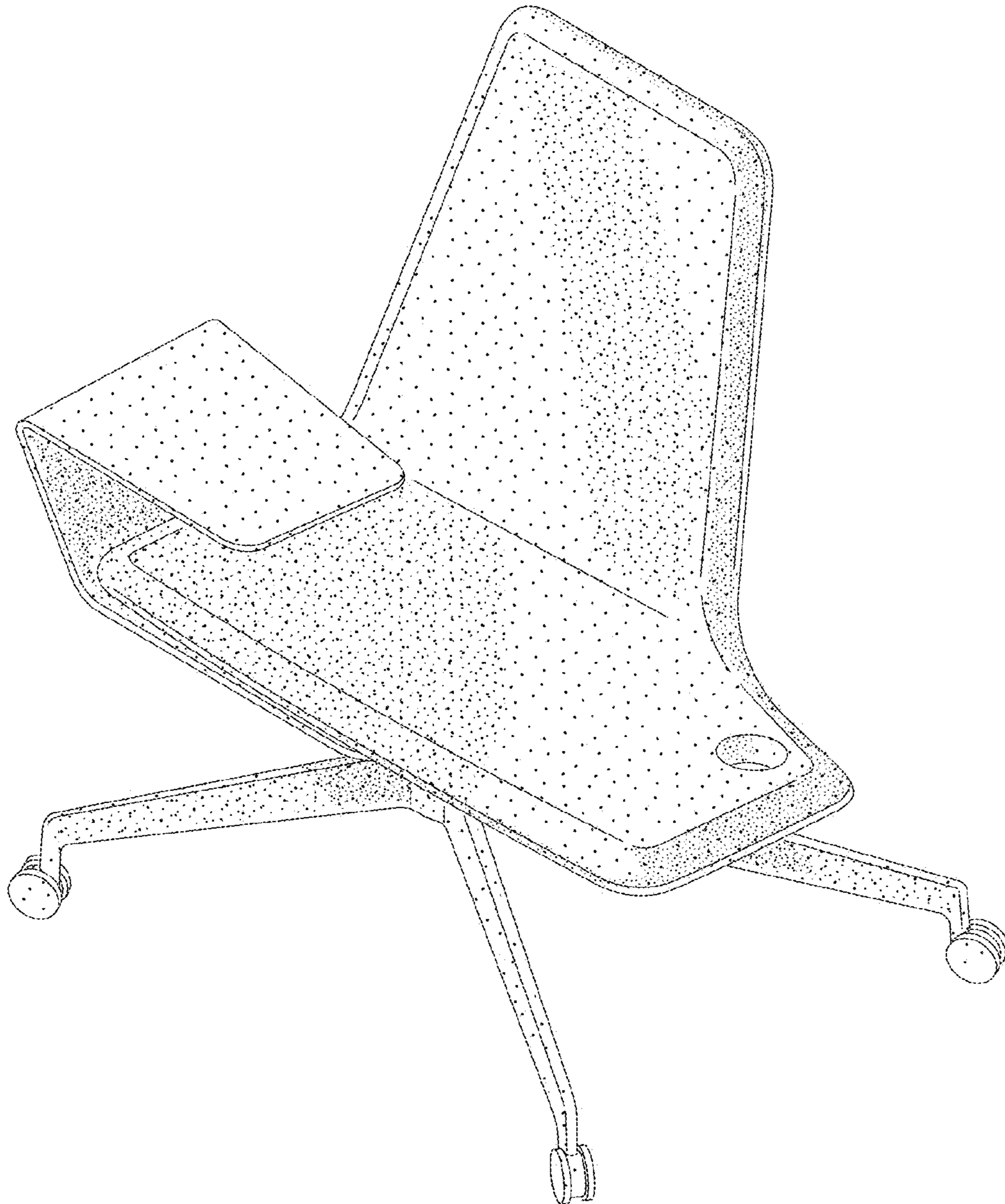


Fig. 1

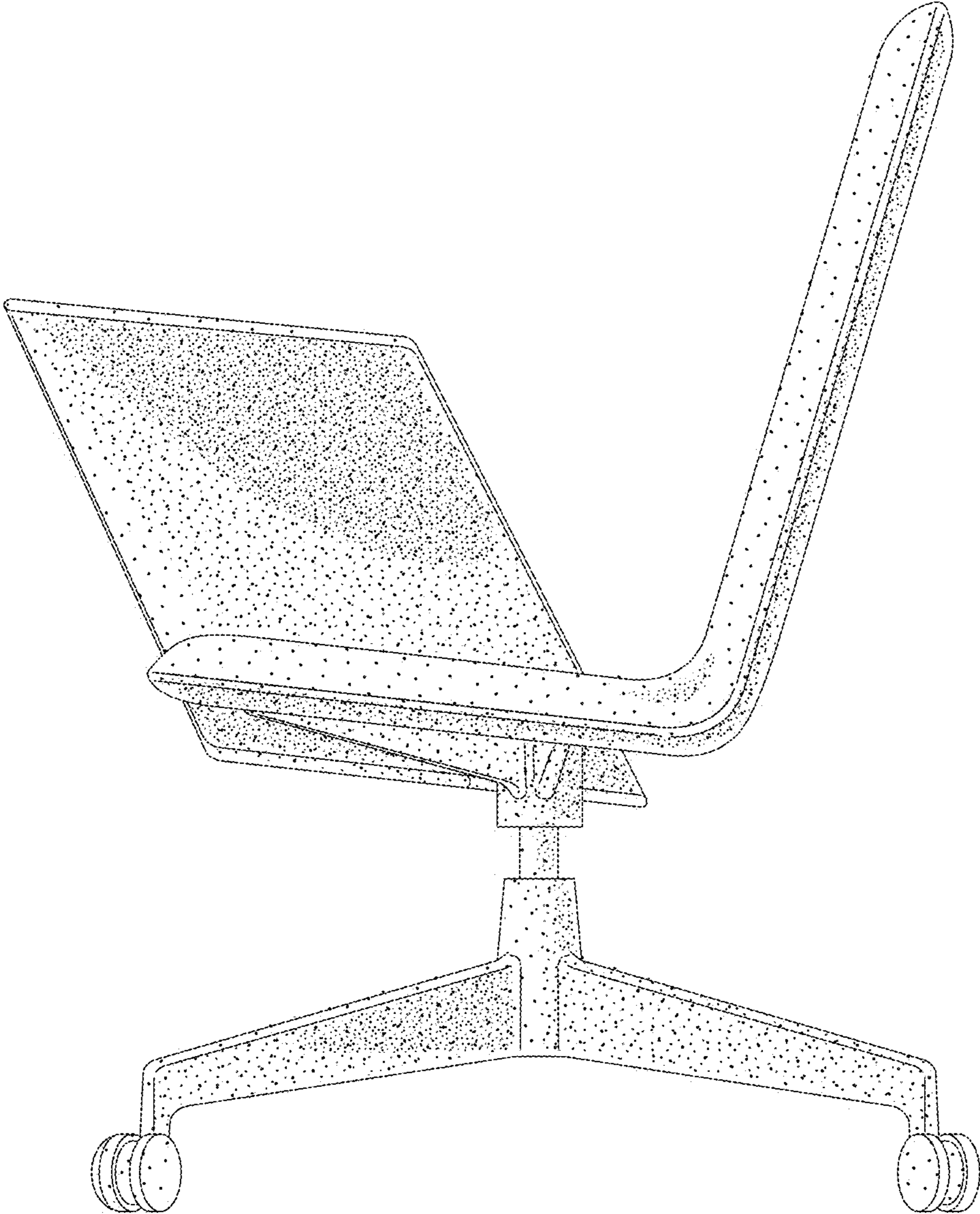


Fig. 2

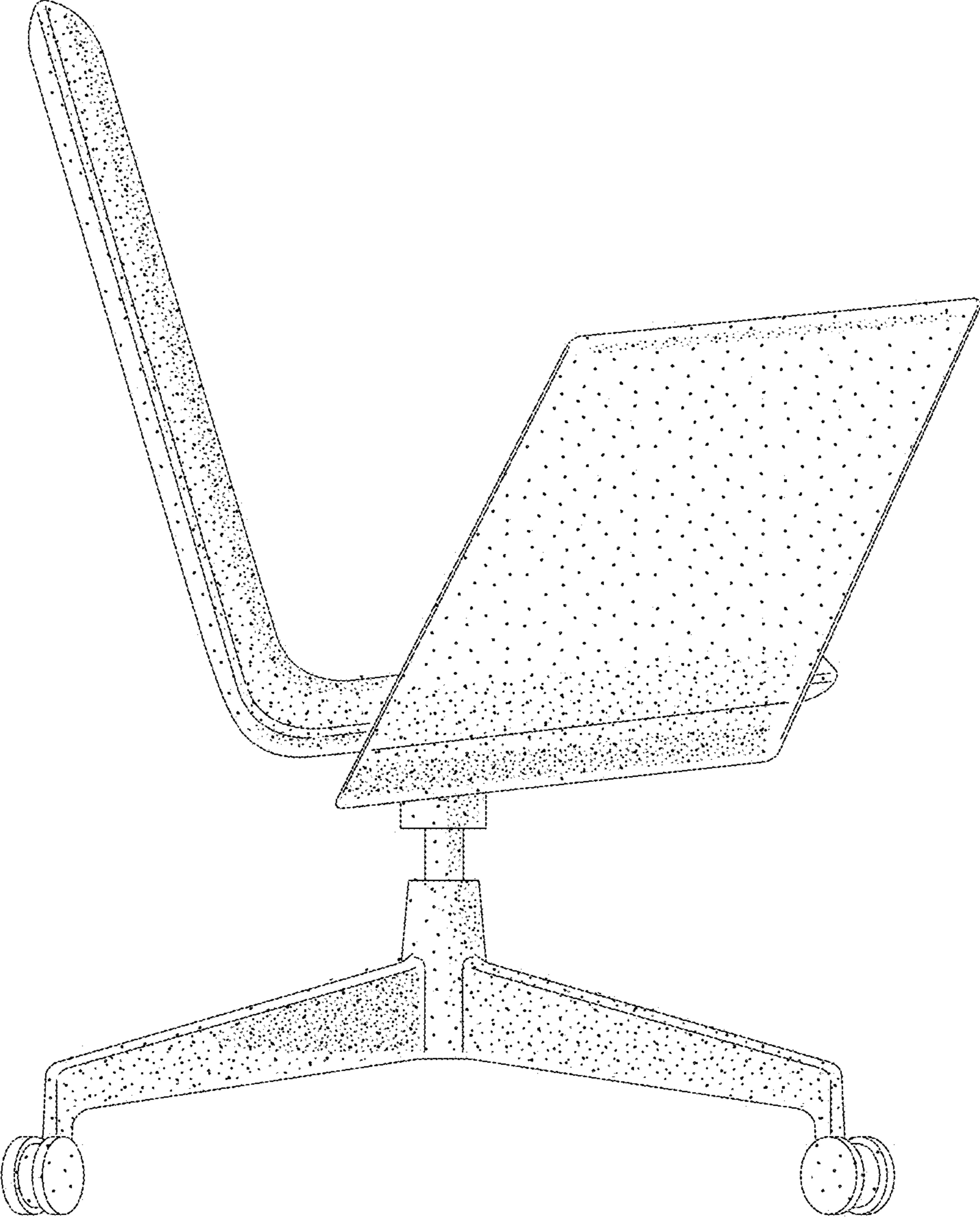


Fig. 3



Fig. 4



Fig. 5

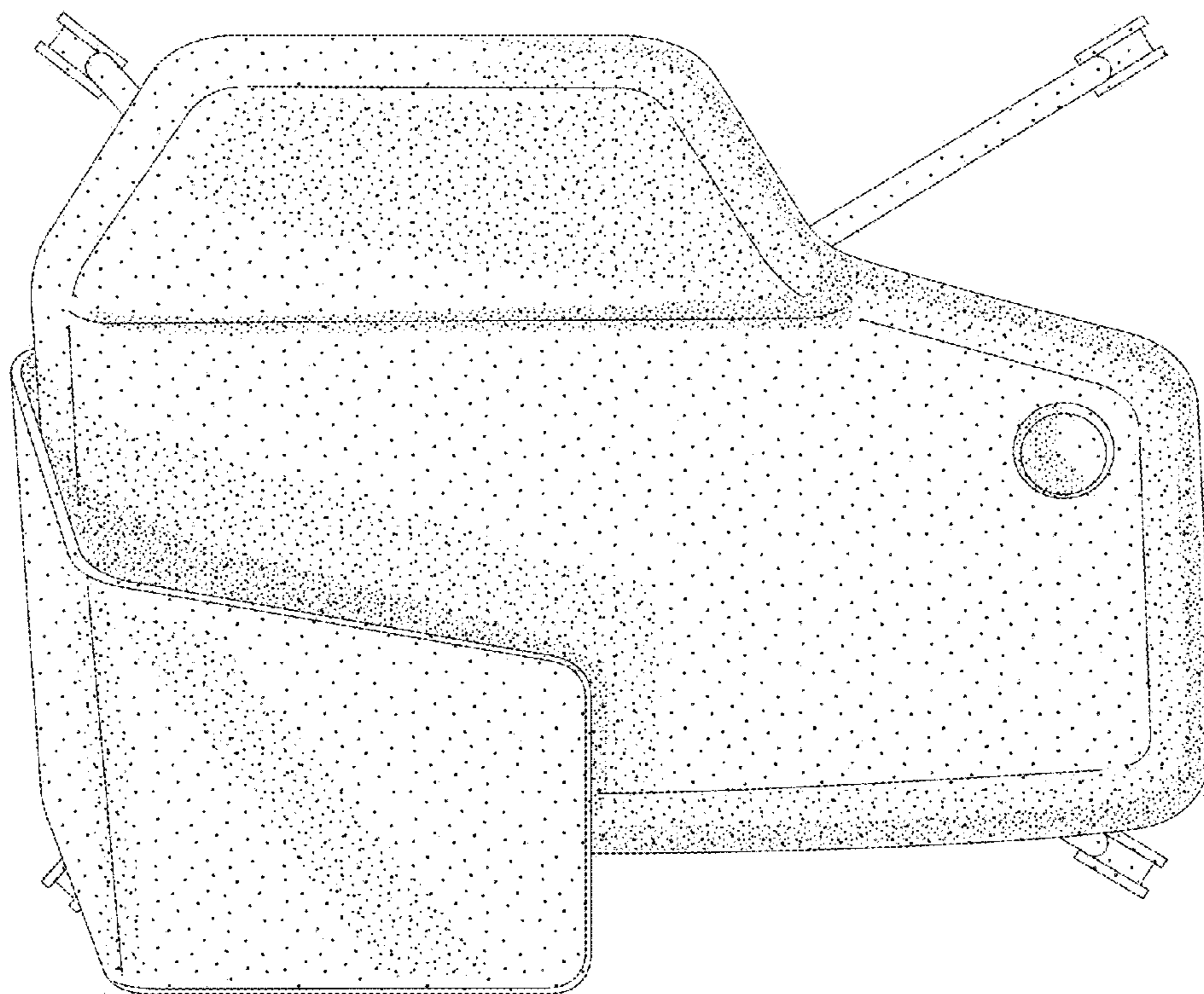


Fig. 6

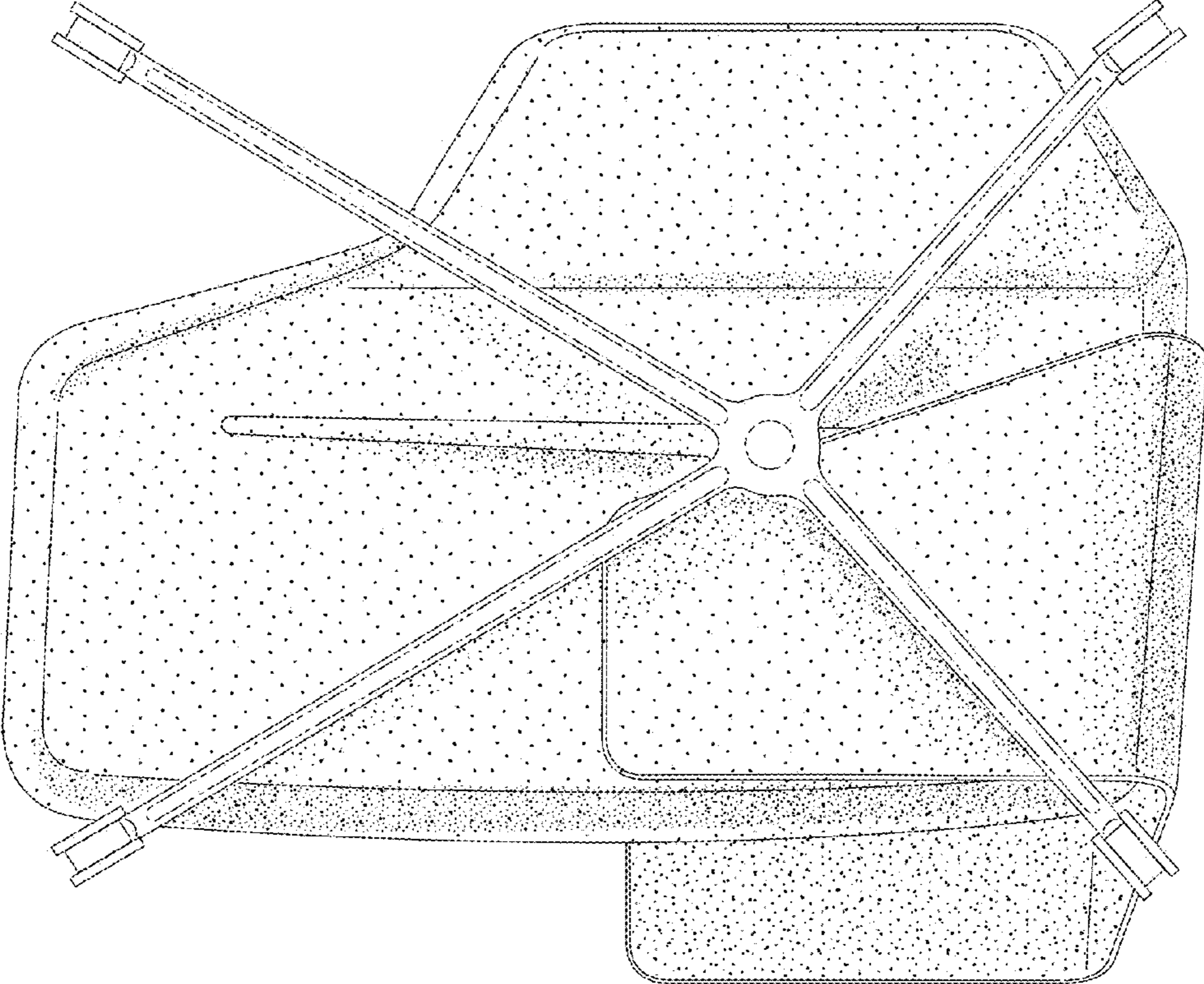


Fig. 7