



US00D718541S

(12) **United States Design Patent**  
**Pedersen et al.**

(10) **Patent No.:** **US D718,541 S**  
(45) **Date of Patent:** **\*\* Dec. 2, 2014**

- (54) **PICNIC TABLE**
- (71) Applicant: **Target Brands, Inc.**, Minneapolis, MN (US)
- (72) Inventors: **Sara L. Pedersen**, Minneapolis, MN (US); **Chad M. Bogdan**, St. Paul, MN (US); **Zachary S. Bloch**, Minneapolis, MN (US); **Kirk E. Morris**, Minneapolis, MN (US); **Katherine R. Wittenberg**, St. Paul, MN (US); **George K. Smithwick**, Blaine, MN (US)
- (73) Assignee: **Target Brands, Inc.**, Minneapolis, MN (US)
- (\*\*) Term: **14 Years**
- (21) Appl. No.: **29/489,474**
- (22) Filed: **Apr. 30, 2014**
- (51) **LOC (10) Cl.** ..... **06-01**
- (52) **U.S. Cl.**  
USPC ..... **D6/337**
- (58) **Field of Classification Search**  
CPC ..... A47C 17/00; A47C 17/02; A47C 17/12;  
A47C 17/18; A47C 7/021; A47C 31/00;  
A47C 3/16  
USPC ..... D6/334, 335, 336, 379, 381, 369, 349,  
D6/707.2, 708; 297/94, 118, 232, 445.1,  
297/448.1, DIG. 7  
See application file for complete search history.

3,276,815	A *	10/1966	Cardy	.....	297/158.4
3,414,301	A *	12/1968	Crowe	.....	403/237
D235,394	S *	6/1975	Ruth	.....	D6/337
D241,692	S *	10/1976	Gerber	.....	D6/337
4,330,151	A *	5/1982	Healey	.....	297/158.3
D323,947	S *	2/1992	Pomeroy et al.	.....	D6/495
D431,918	S *	10/2000	Tseng	.....	D6/337
6,186,590	B1 *	2/2001	Tseng	.....	297/158.4
6,347,831	B1 *	2/2002	Nye et al.	.....	297/158.4
6,644,734	B1 *	11/2003	Tseng	.....	297/158.4
D490,992	S *	6/2004	Thomas et al.	.....	D6/337
D493,291	S *	7/2004	Thomas et al.	.....	D6/337
D581,173	S *	11/2008	Skalka	.....	D6/337

**OTHER PUBLICATIONS**

Crate&Barrel, "Alfresco Grey Rectangular Dining Table," <http://www.crateandbarrel.com/alfresco-grey-rectangular-dining-table/s580752>, at least as early as Jul. 2013, 1 page.

\* cited by examiner

*Primary Examiner* — Sandra Snapp

(74) *Attorney, Agent, or Firm* — Leanne Taveggia Farrell; Westman, Champlin & Koehler, P.A.

(57) **CLAIM**

The ornamental design for a picnic table, as shown and described.

**DESCRIPTION**

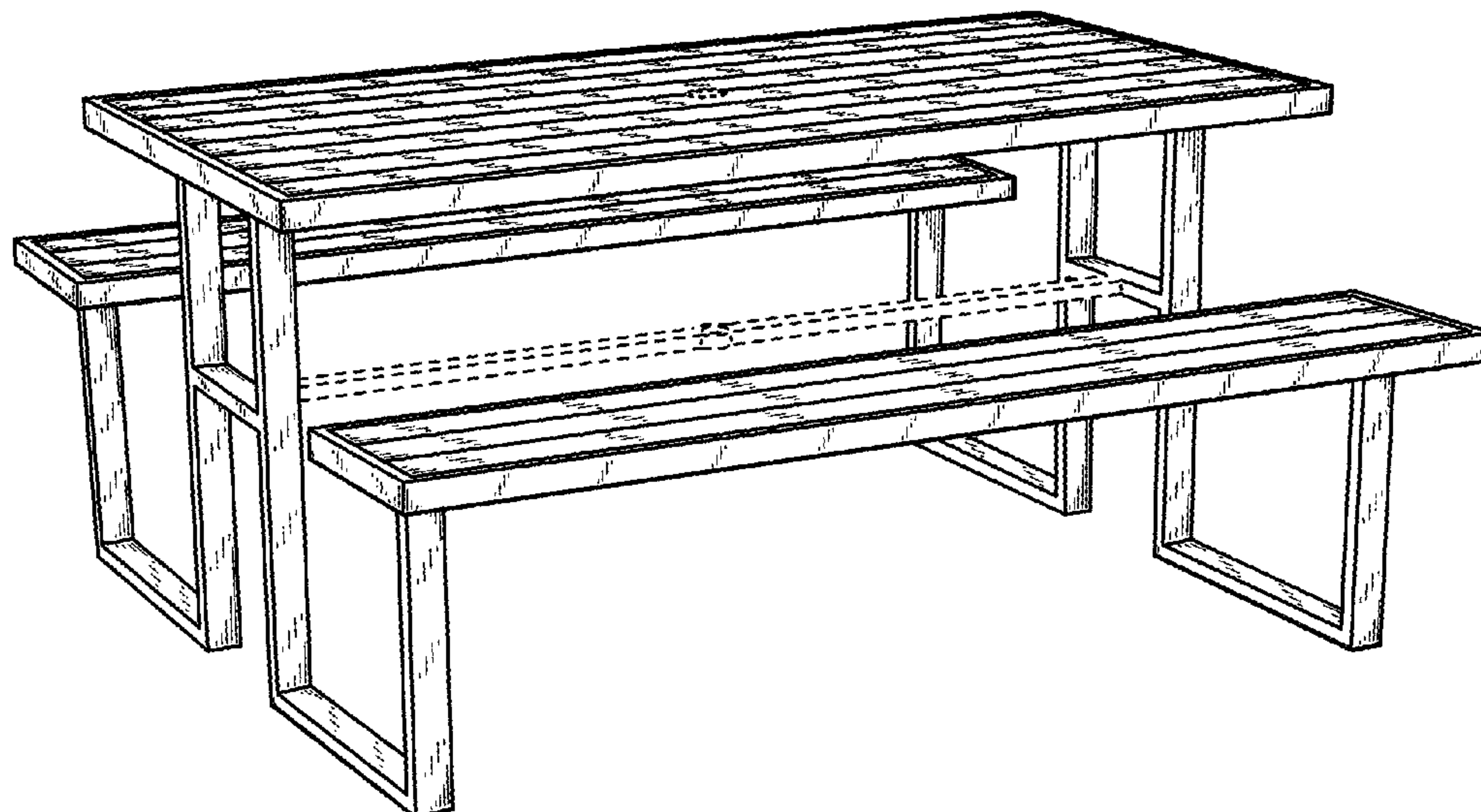
FIG. 1 is a perspective view of a picnic table; FIG. 2 is a front view thereof, the back view being identical; FIG. 3 is a left side view thereof, the right side being identical; FIG. 4 is a top view thereof; and, FIG. 5 is a bottom view thereof.

The broken lines shown in the drawings are included for purposes of illustrating portions of the picnic table and form no part of the claimed design.

**1 Claim, 4 Drawing Sheets**

(56) **References Cited**  
U.S. PATENT DOCUMENTS

2,568,622	A *	9/1951	Hagan	.....	297/158.4
2,746,525	A *	5/1956	Cooper	.....	297/158.5
D190,744	S *	6/1961	Gulce	.....	D6/337



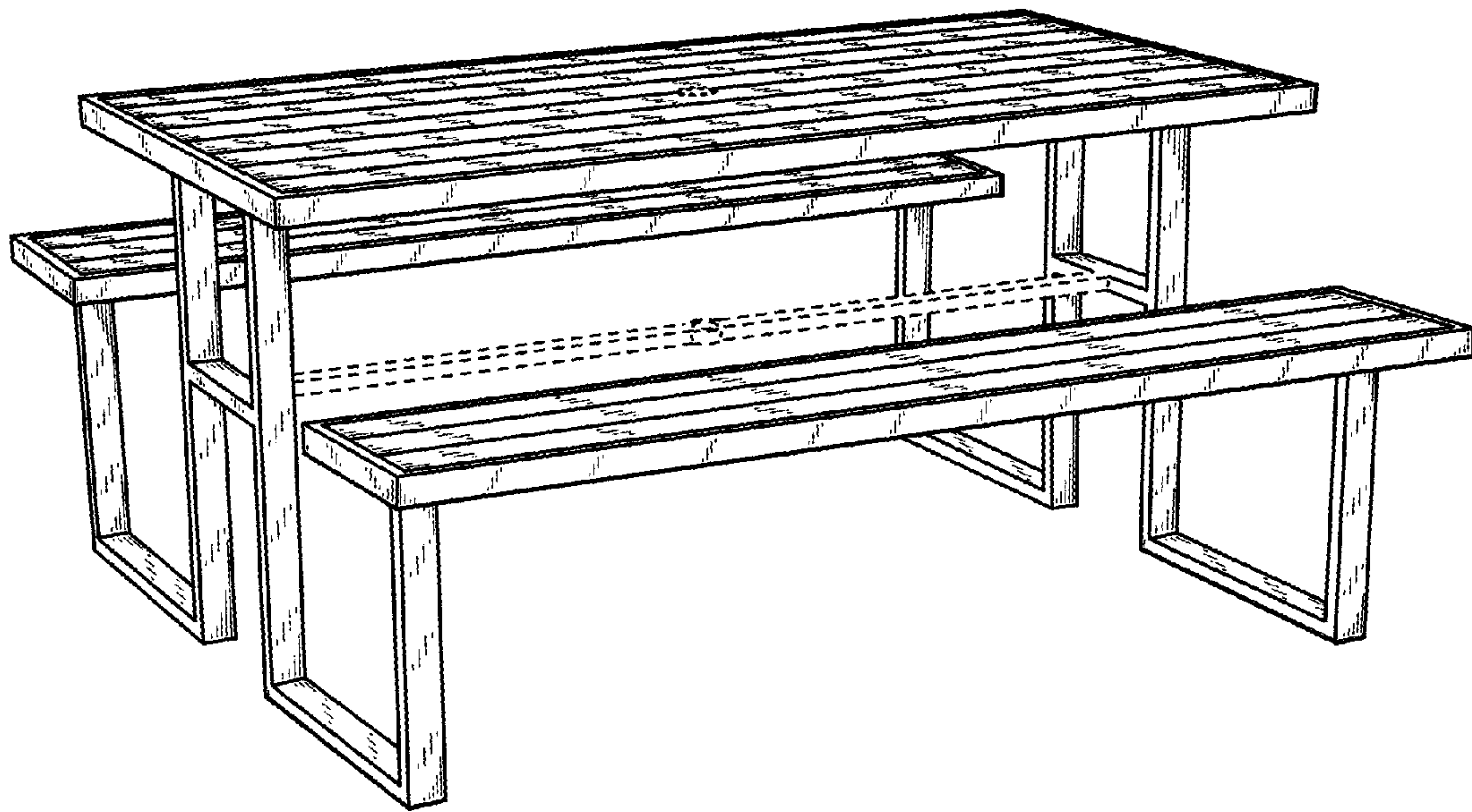


Fig. 1

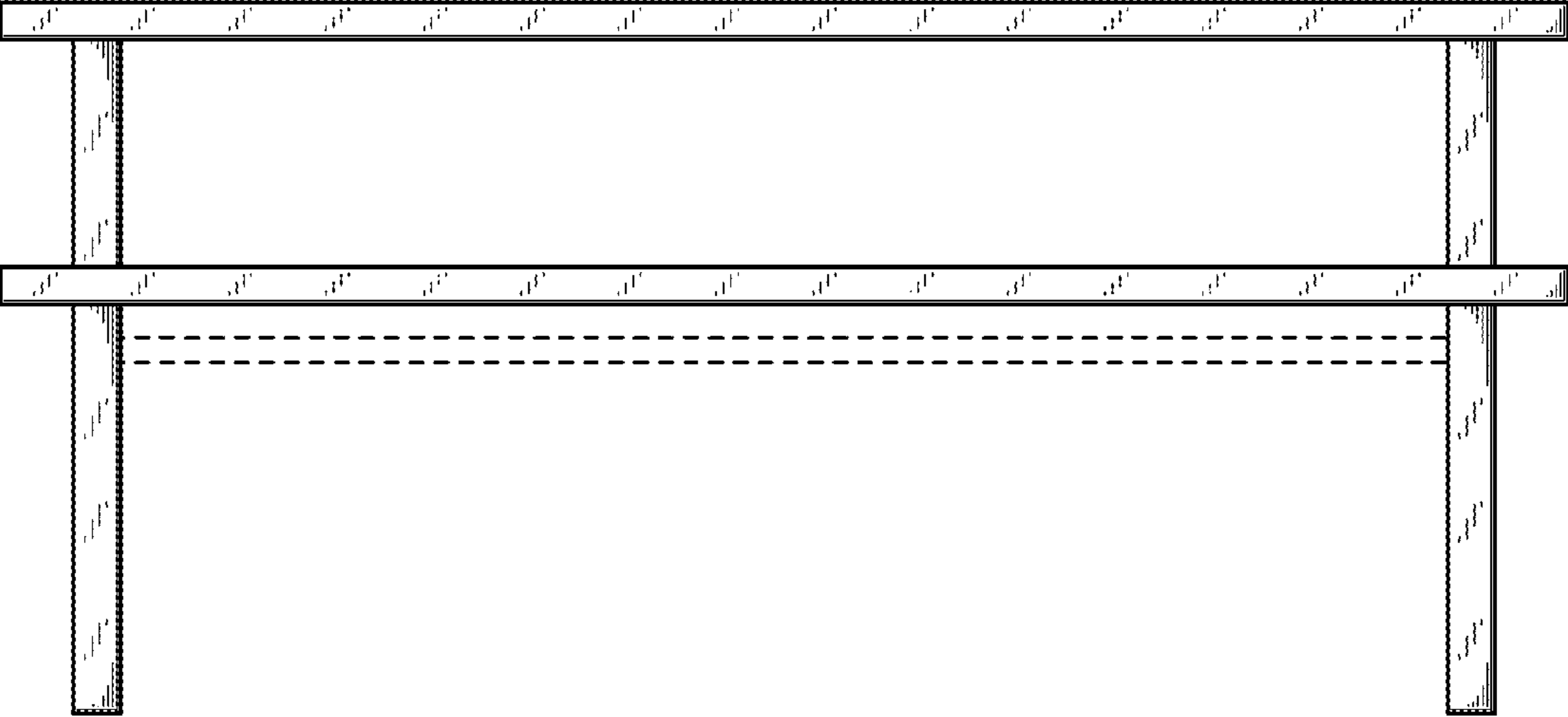


Fig. 2

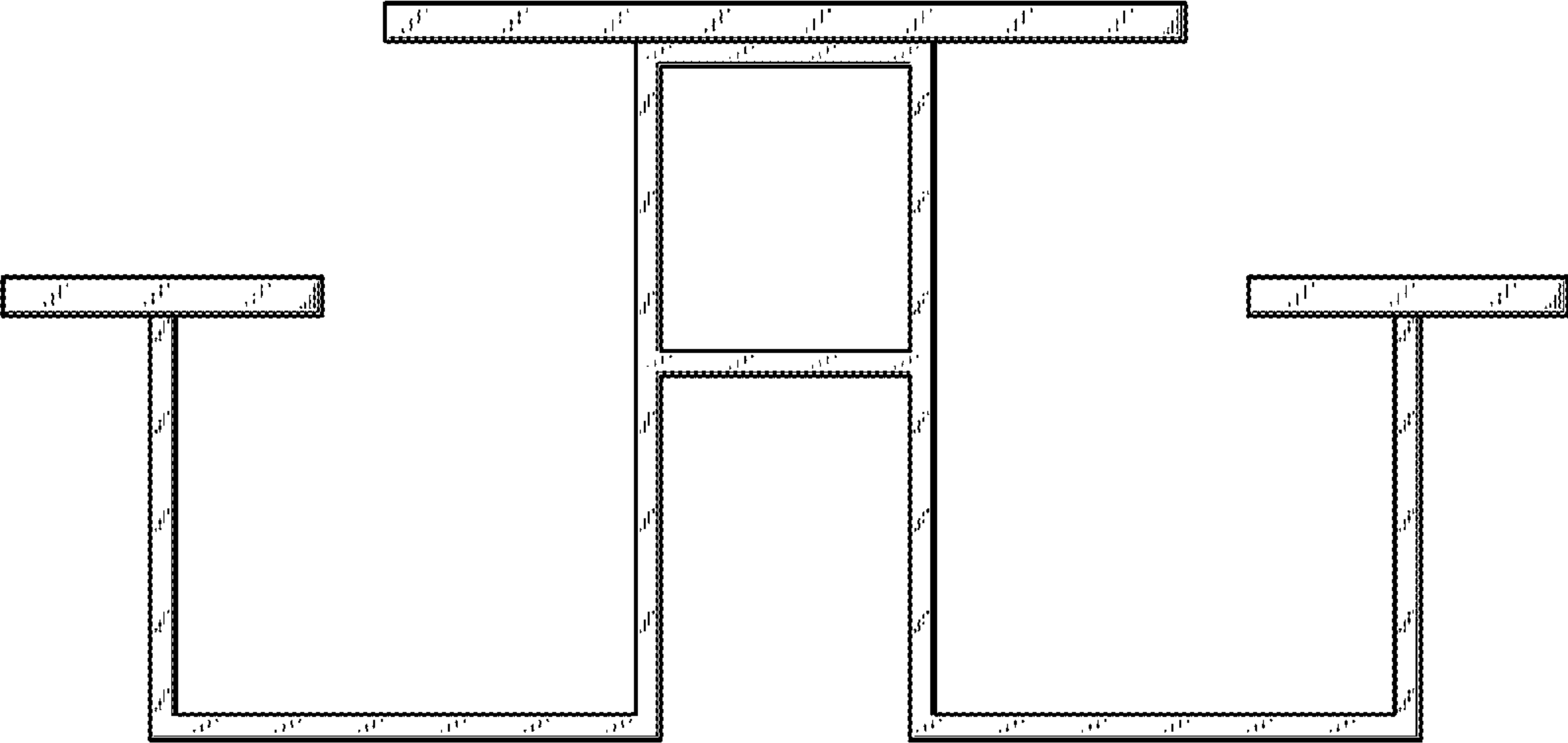


Fig. 3

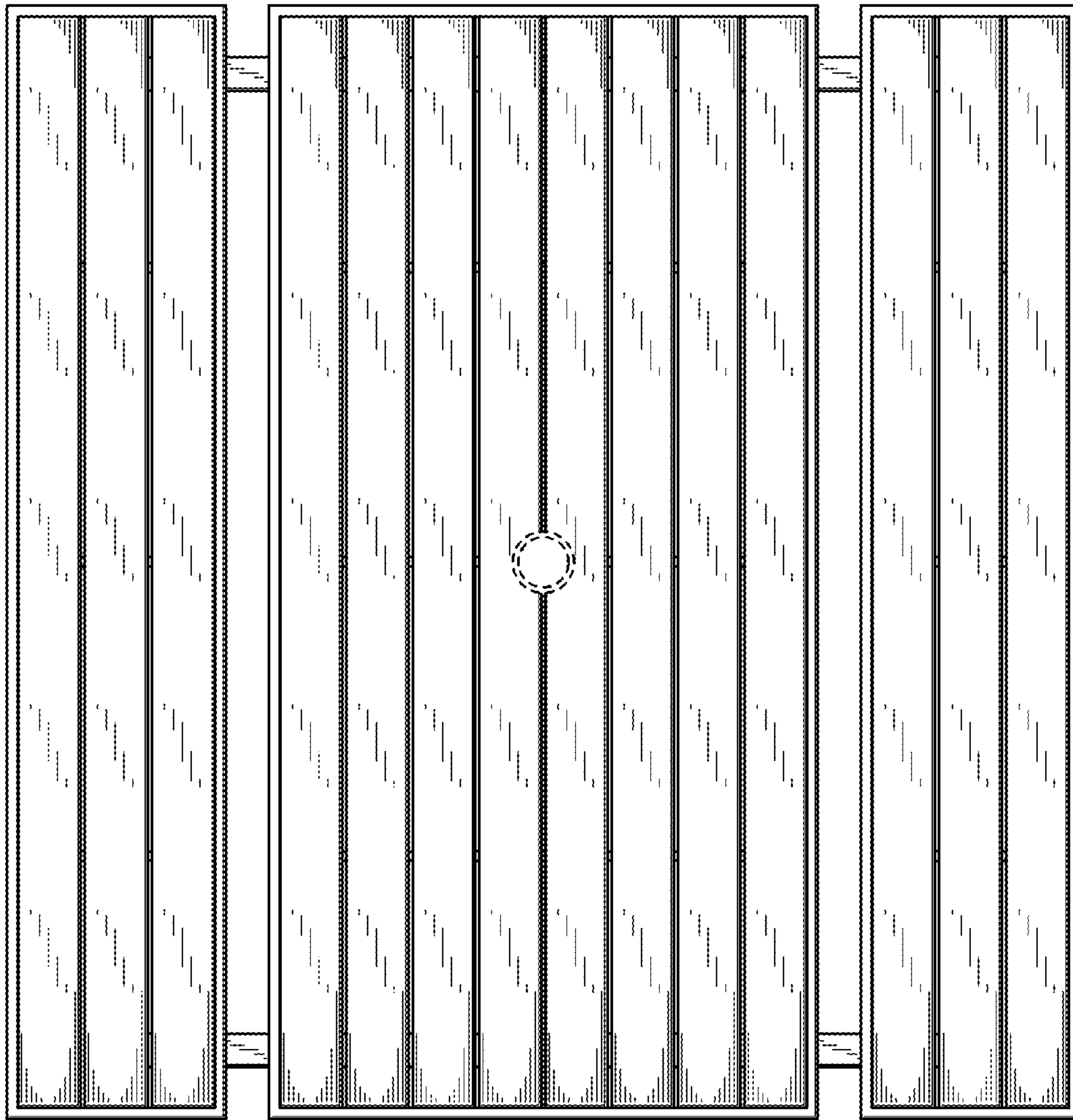


Fig. 4



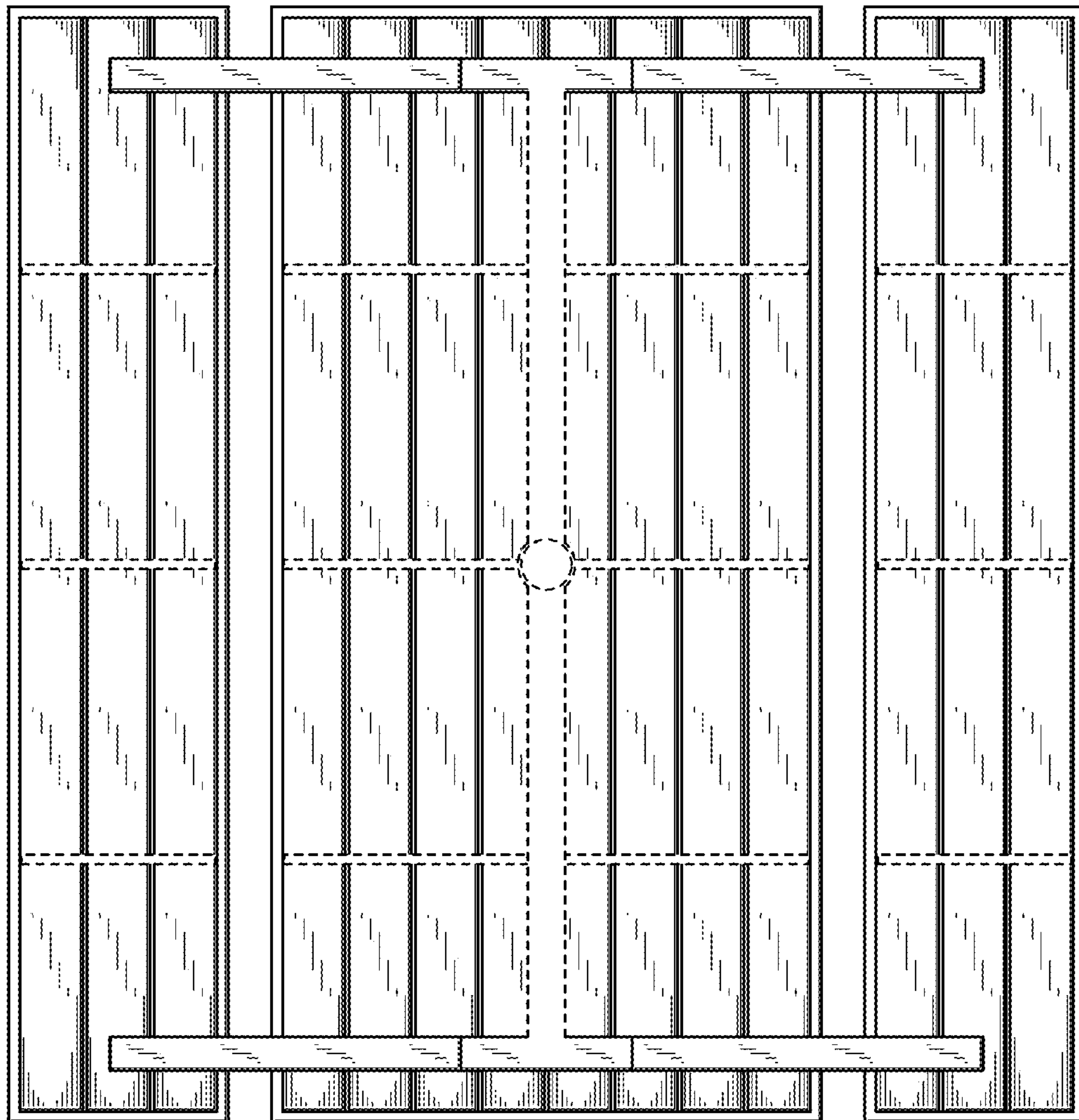


Fig. 5