



US00D718536S

(12) **United States Design Patent**
Guichot

(10) **Patent No.:** **US D718,536 S**
(45) **Date of Patent:** **** Dec. 2, 2014**

- (54) **LOCK FOR A HANDBAG**
- (71) Applicant: **Balenciaga**, Paris (FR)
- (72) Inventor: **Isabelle Guichot**, Paris (FR)
- (73) Assignee: **Balenciaga**, Paris (FR)
- (**) Term: **14 Years**
- (21) Appl. No.: **29/469,330**
- (22) Filed: **Oct. 9, 2013**
- (51) **LOC (10) Cl.** **03-01**
- (52) **U.S. Cl.**
USPC **D3/324**
- (58) **Field of Classification Search**
USPC D3/226, 229, 230, 232–234, 239–246,
D3/270, 306, 318, 321–328; D8/57, 58,
D8/59, 63, 64, 66, 67, 69; 70/100,
70/103–114, 117–119, 127, 130; 150/100,
150/104, 109, 110, 115–117, 900–903;
190/300, 303, 312, 342; 383/42, 48
See application file for complete search history.

- D564,760 S * 3/2008 Gonzalez D3/324
- D621,157 S * 8/2010 Achilles D3/323
- D674,193 S * 1/2013 Saavedra D3/322
- D674,194 S * 1/2013 Saavedra D3/322
- D675,022 S * 1/2013 Saavedra D3/322
- D693,572 S * 11/2013 Kuster et al. D3/243
- D698,145 S * 1/2014 Deneve D3/243

* cited by examiner

Primary Examiner — Caron D Veynar
Assistant Examiner — Holly E Thurman
(74) *Attorney, Agent, or Firm* — Donald J. Ranft; Collen IP

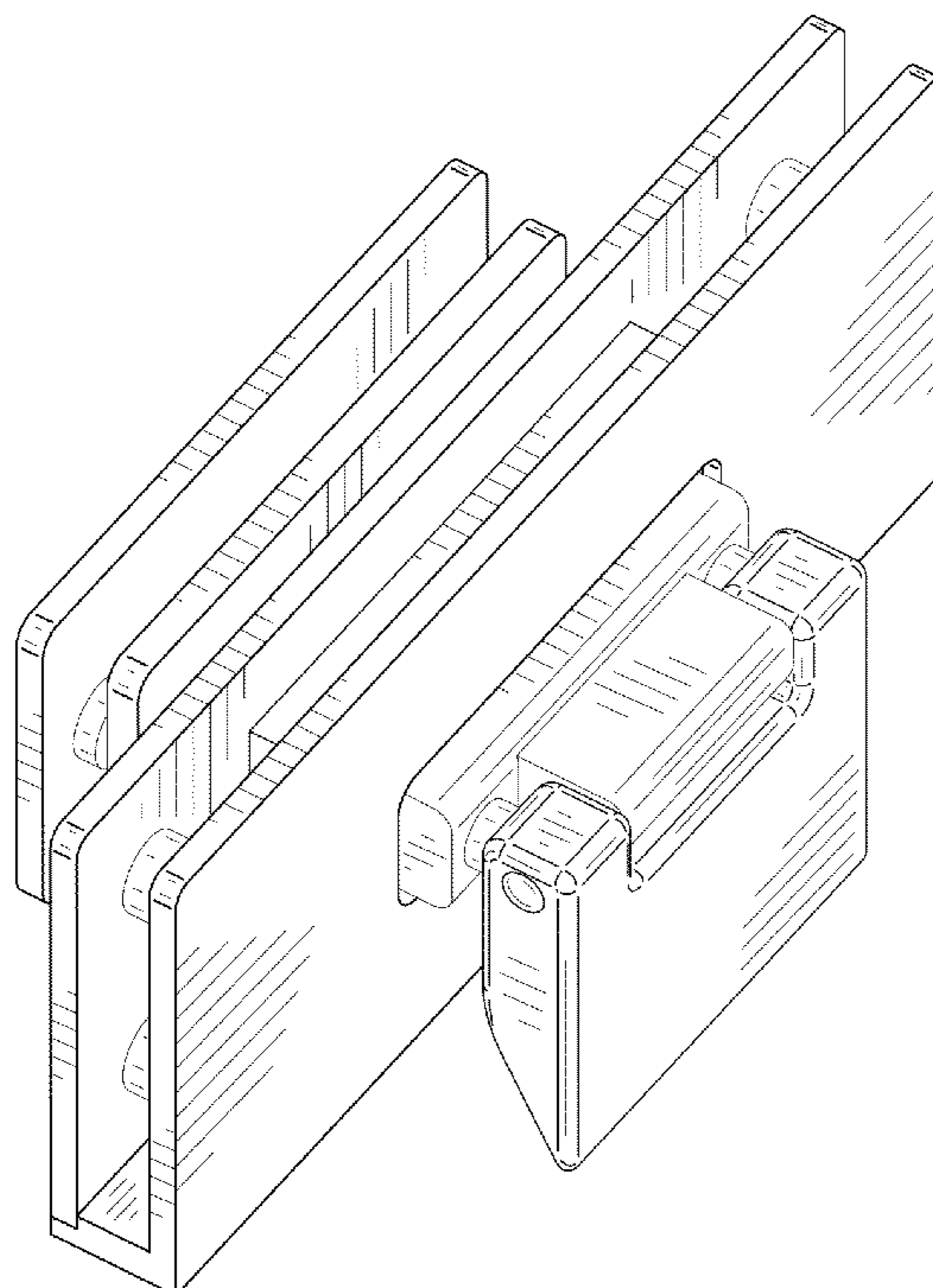
(57) **CLAIM**
The ornamental design for a lock for a handbag, as shown and described.

DESCRIPTION

FIG. 1 is a front perspective view of a lock for a handbag showing my new design;
FIG. 2 is a rear perspective view thereof;
FIG. 3 is a front view thereof;
FIG. 4 is a rear view thereof;
FIG. 5 is a top view thereof;
FIG. 6 is a bottom view thereof;
FIG. 7 is a side view thereof;
FIG. 8 is a perspective view in open position thereof; and,
FIG. 9 is a perspective view in closed position thereof attached to an unclaimed handbag.
The portions of the lock for a handbag shown in broken lines are included for the purpose of showing unclaimed environmental structure only and form no part of the claimed design.

1 Claim, 6 Drawing Sheets

- (56) **References Cited**
U.S. PATENT DOCUMENTS
- D121,754 S * 7/1940 Pichel D8/342
- D532,200 S * 11/2006 Gonzalez D3/326
- D543,026 S * 5/2007 Gonzalez D3/243
- D547,944 S * 8/2007 Gonzalez D3/232
- D552,354 S * 10/2007 Gonzalez D3/324
- D557,010 S * 12/2007 Gonzalez D3/243



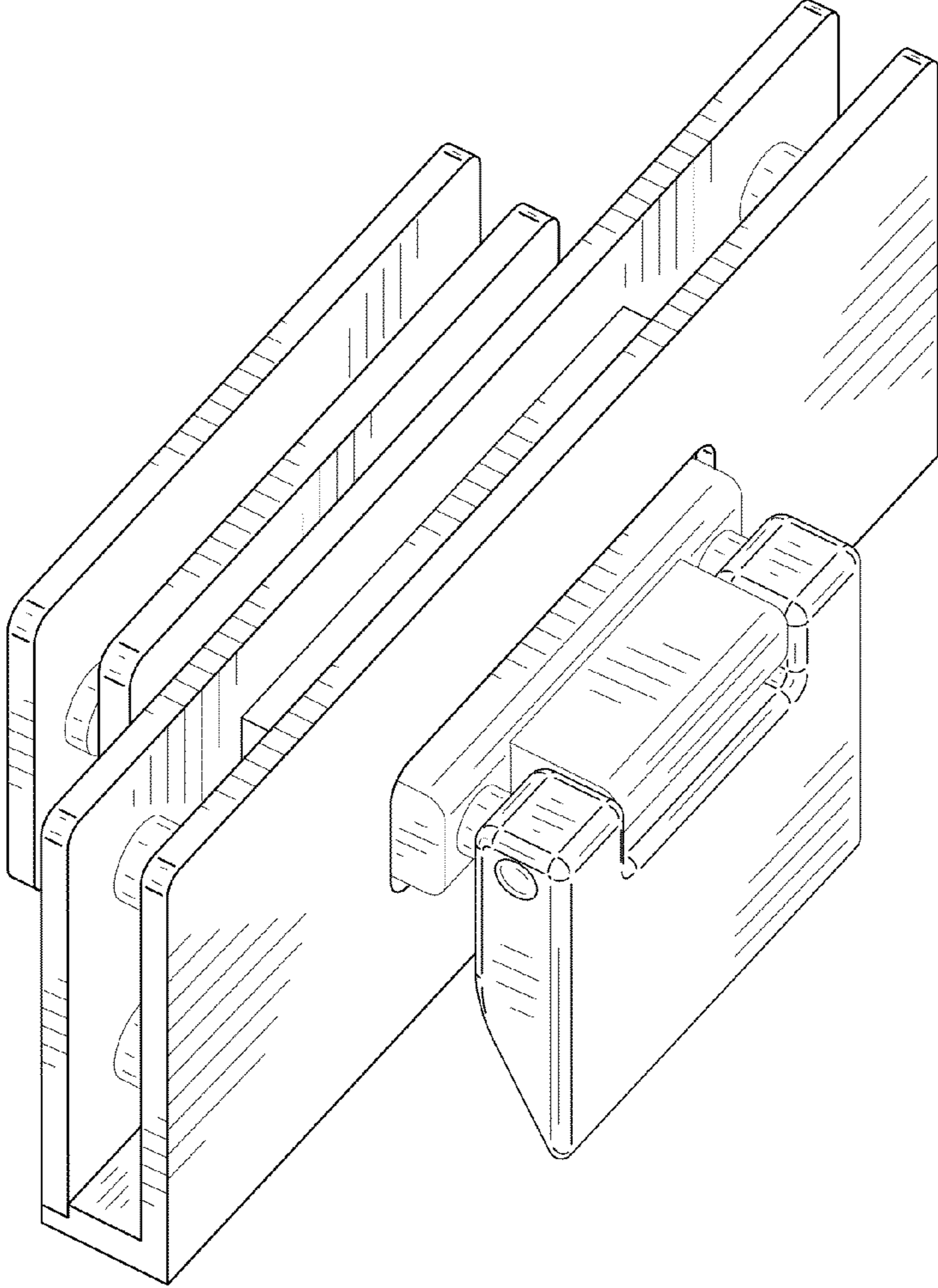


FIG. 1

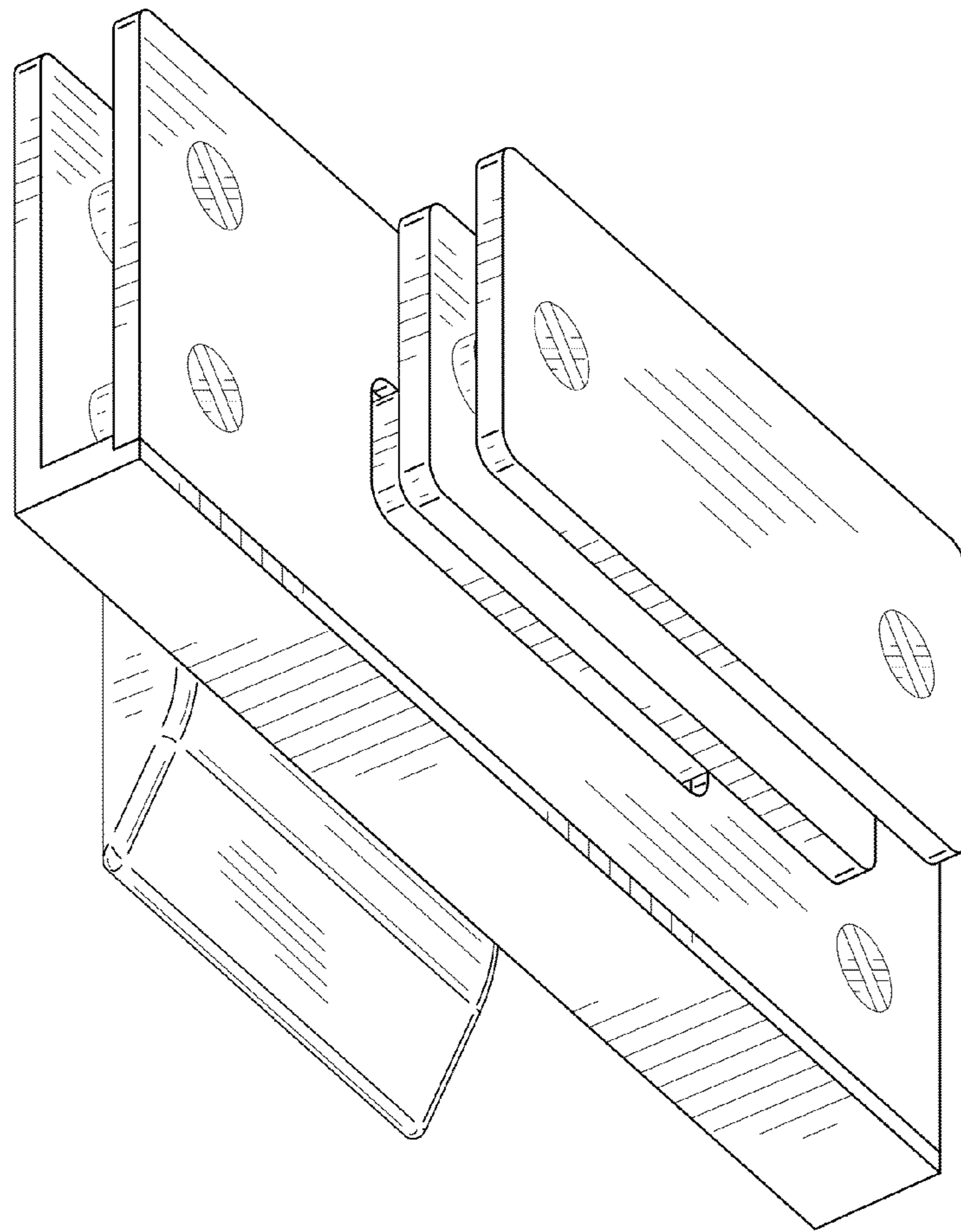


FIG. 2

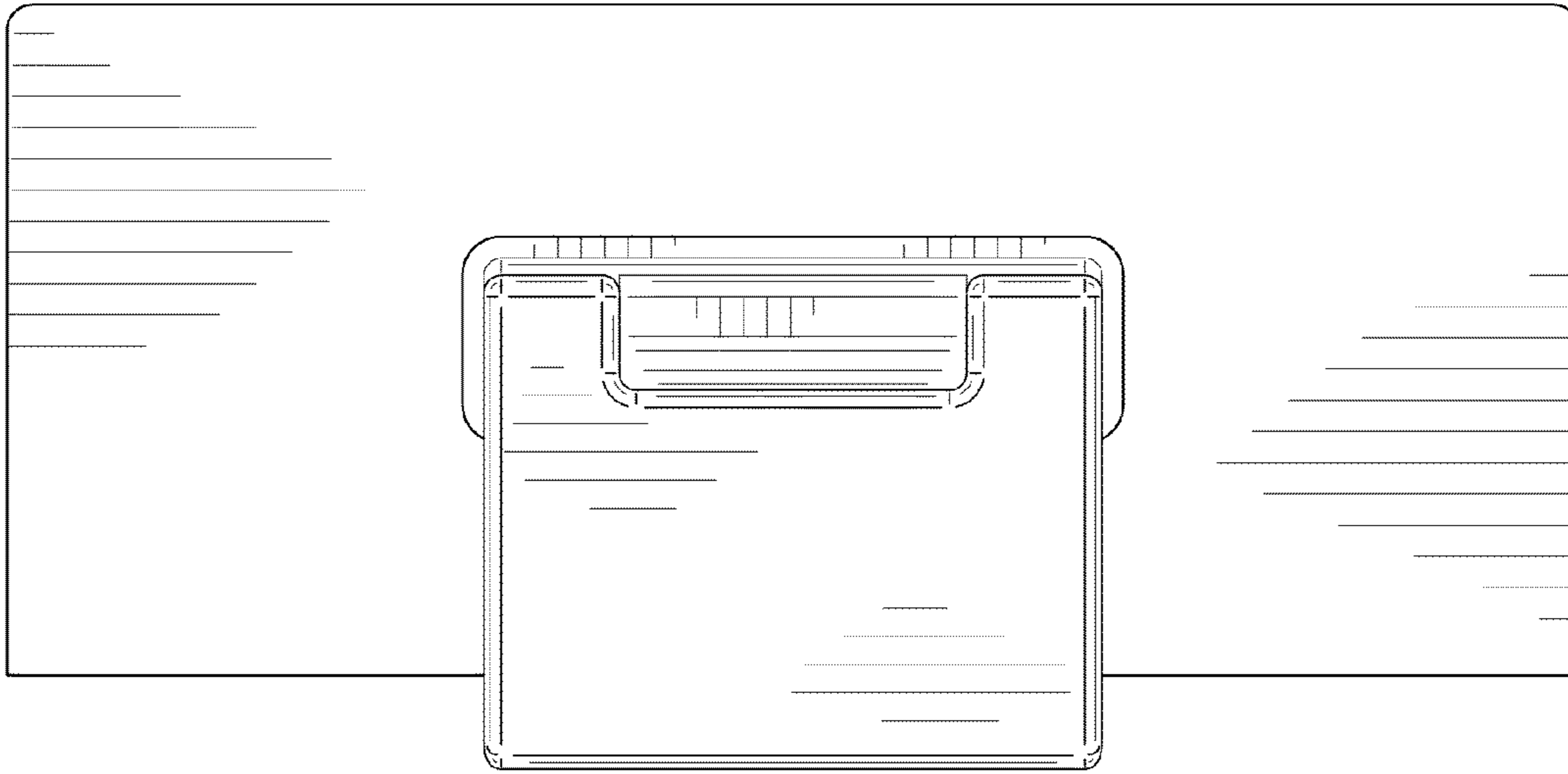


FIG. 3

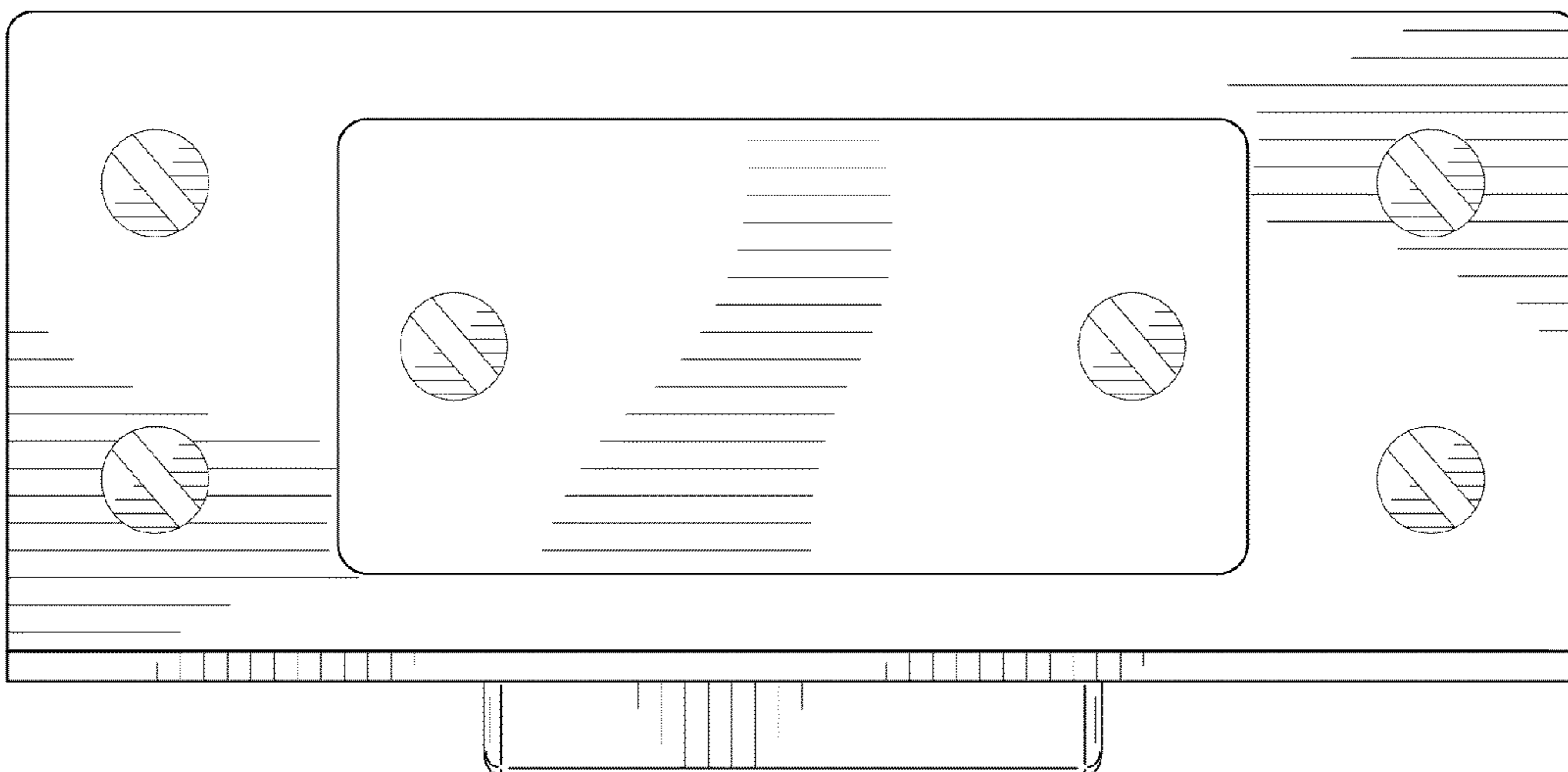


FIG. 4

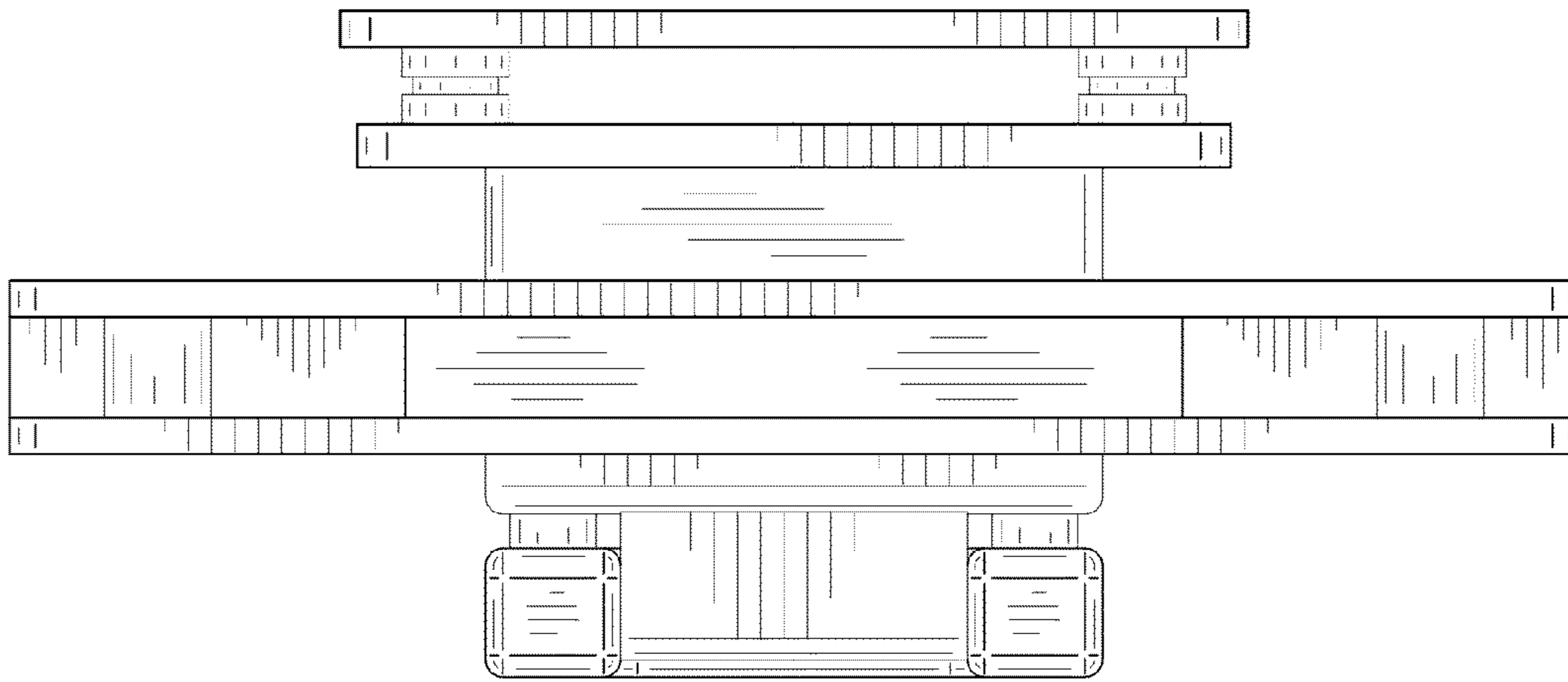


FIG. 5

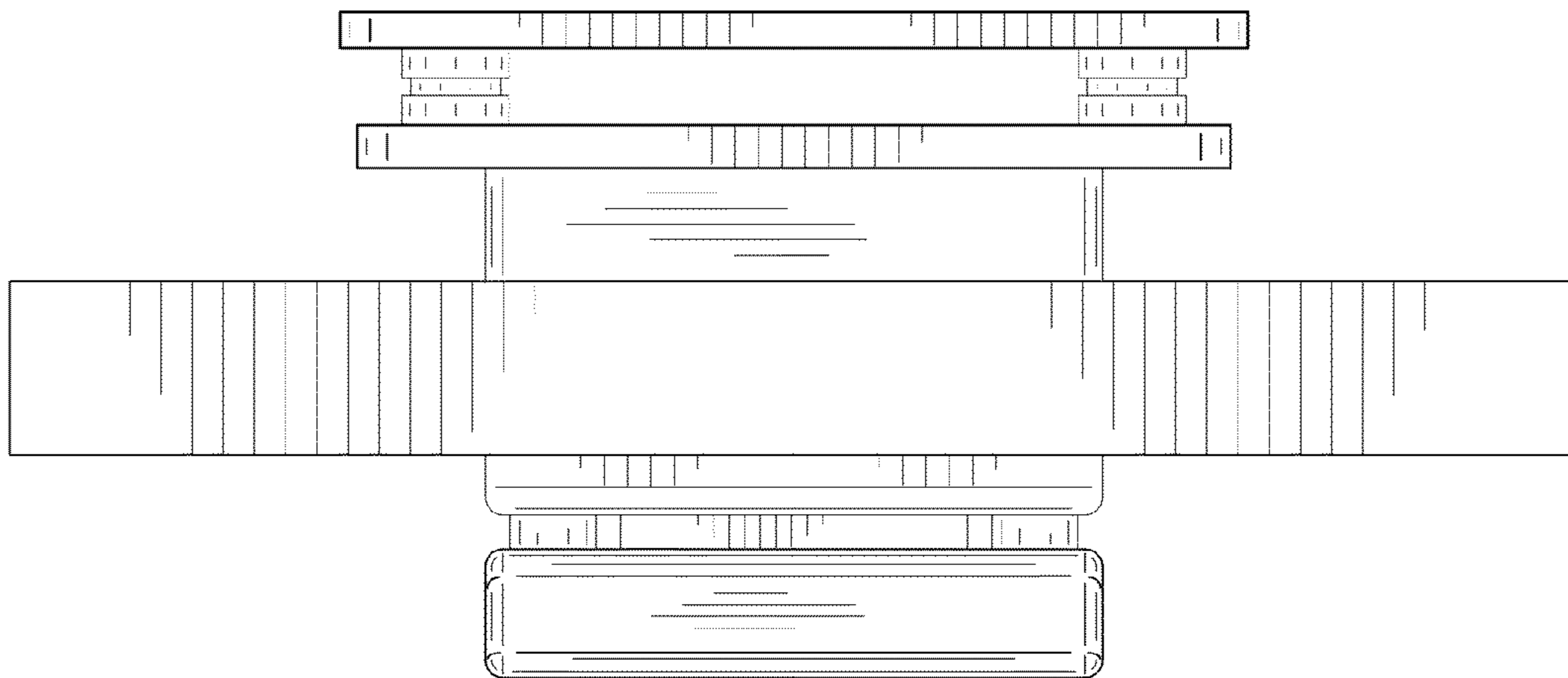


FIG. 6

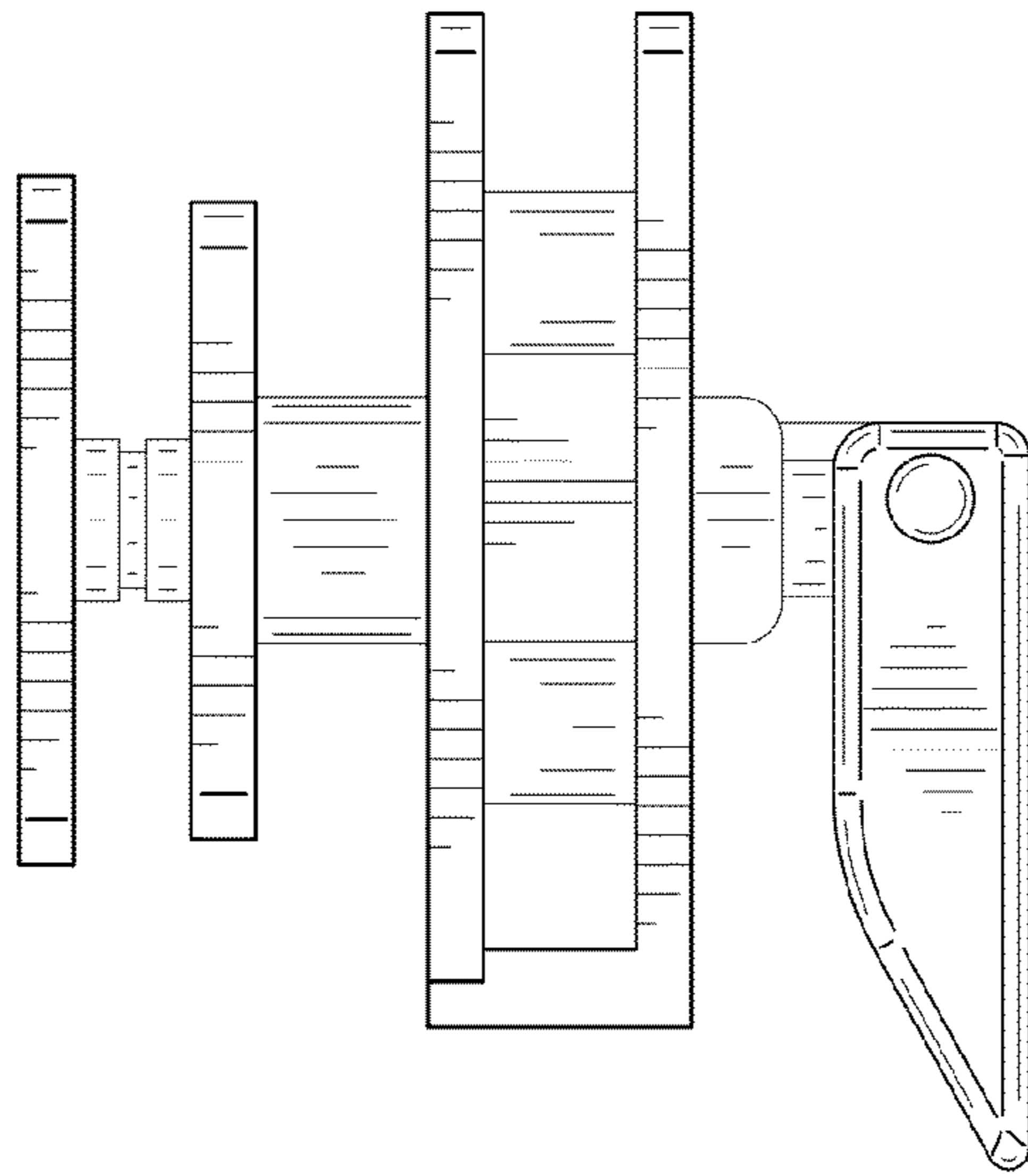


FIG. 7

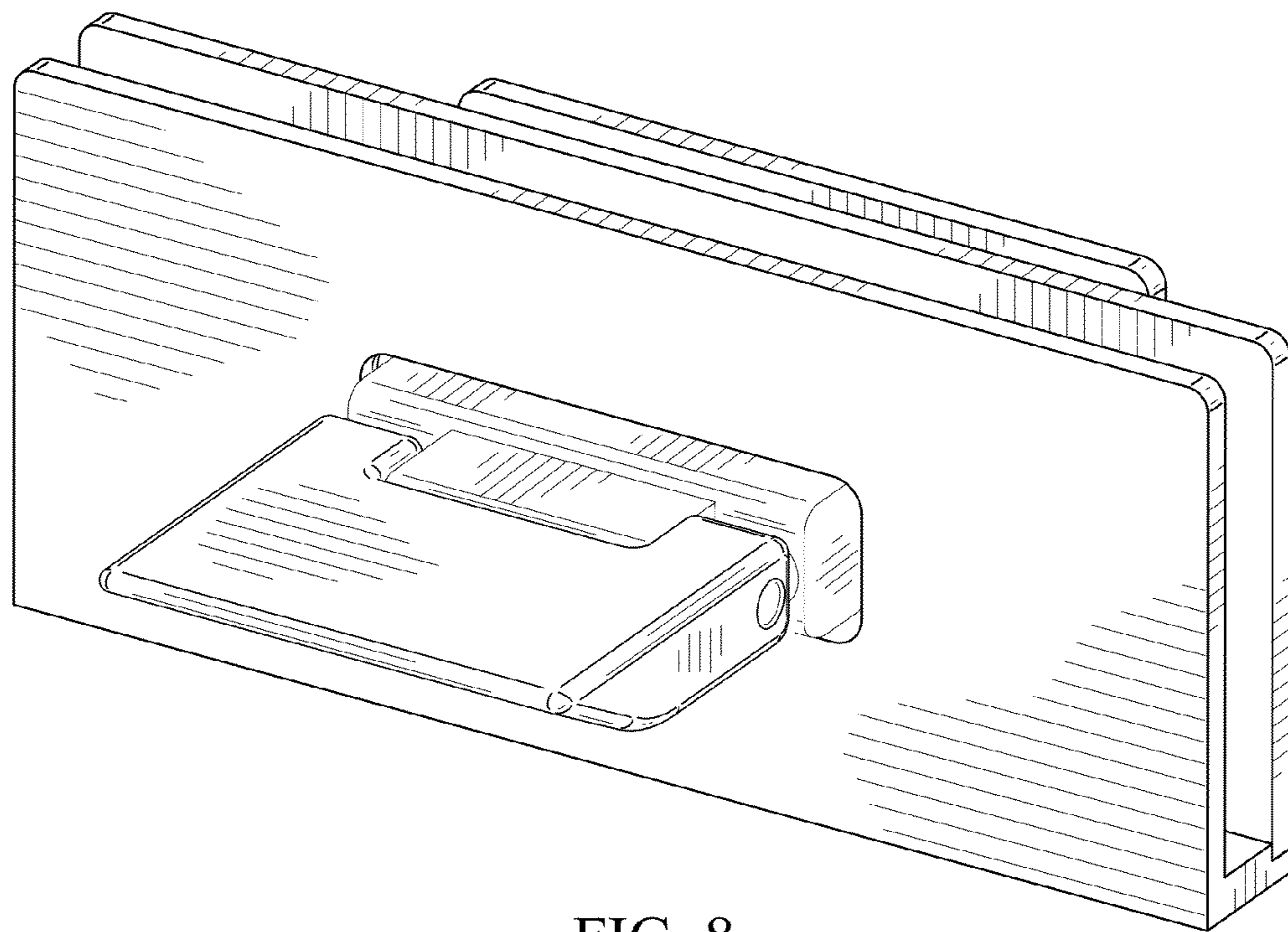


FIG. 8

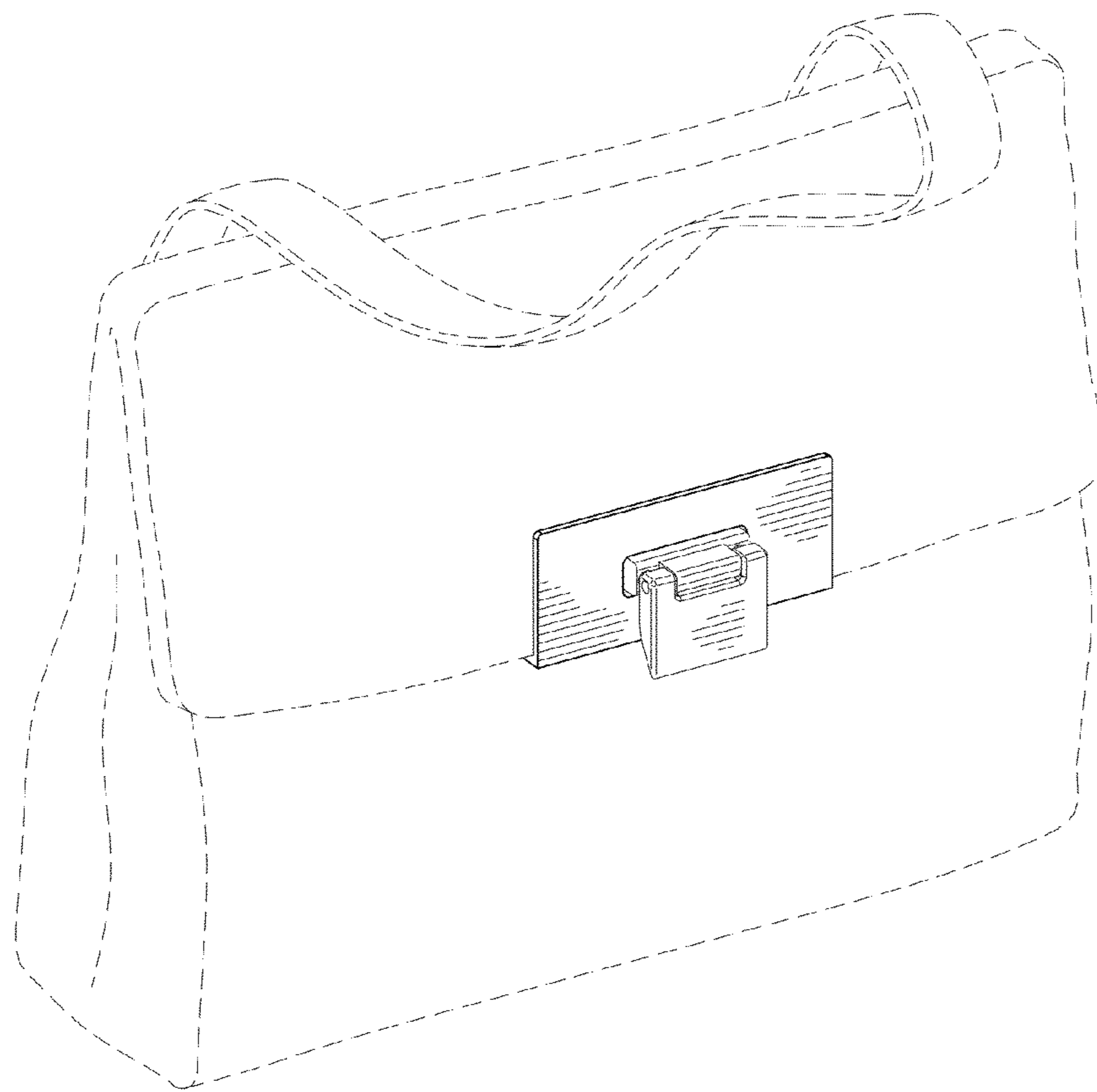


FIG. 9