



US00D718534S

(12) **United States Design Patent**
Bruce

(10) **Patent No.:** **US D718,534 S**
(45) **Date of Patent:** **** Dec. 2, 2014**

- (54) **GOLF BAG TOP**
- (71) Applicant: **Karsten Manufacturing Corporation,**
Phoenix, AZ (US)
- (72) Inventor: **Ryan J. Bruce,** Phoenix, AZ (US)
- (73) Assignee: **Karsten Manufacturing Corporation,**
Phoenix, AZ (US)
- (**) Term: **14 Years**
- (21) Appl. No.: **29/467,974**
- (22) Filed: **Sep. 25, 2013**
- (51) **LOC (10) Cl.** **03-01**
- (52) **U.S. Cl.**
USPC **D3/320**
- (58) **Field of Classification Search**
CPC A63B 55/00; A63B 55/08; A63B 55/10;
A63B 2055/002
USPC D3/255, 254, 320; 206/315.2-315.8
See application file for complete search history.

- D373,667 S 9/1996 Hunsaker
- D382,406 S 8/1997 Kim
- D382,707 S 8/1997 Wang
- D385,113 S 10/1997 Beck
- D385,114 S 10/1997 Su
- D389,311 S 1/1998 Wang

(Continued)

OTHER PUBLICATIONS

Callaway RAZR Stand Bag 2013. Discount Golf World. Web. May 23, 2014. <<http://www.discountgolfworld.com/callaway-razr-stand-bag-2013-p27287>>.*

(Continued)

Primary Examiner — Deanna L Pratt
Assistant Examiner — Lilyana Bekic

(74) *Attorney, Agent, or Firm* — Bryan Cave LLP

(57) **CLAIM**

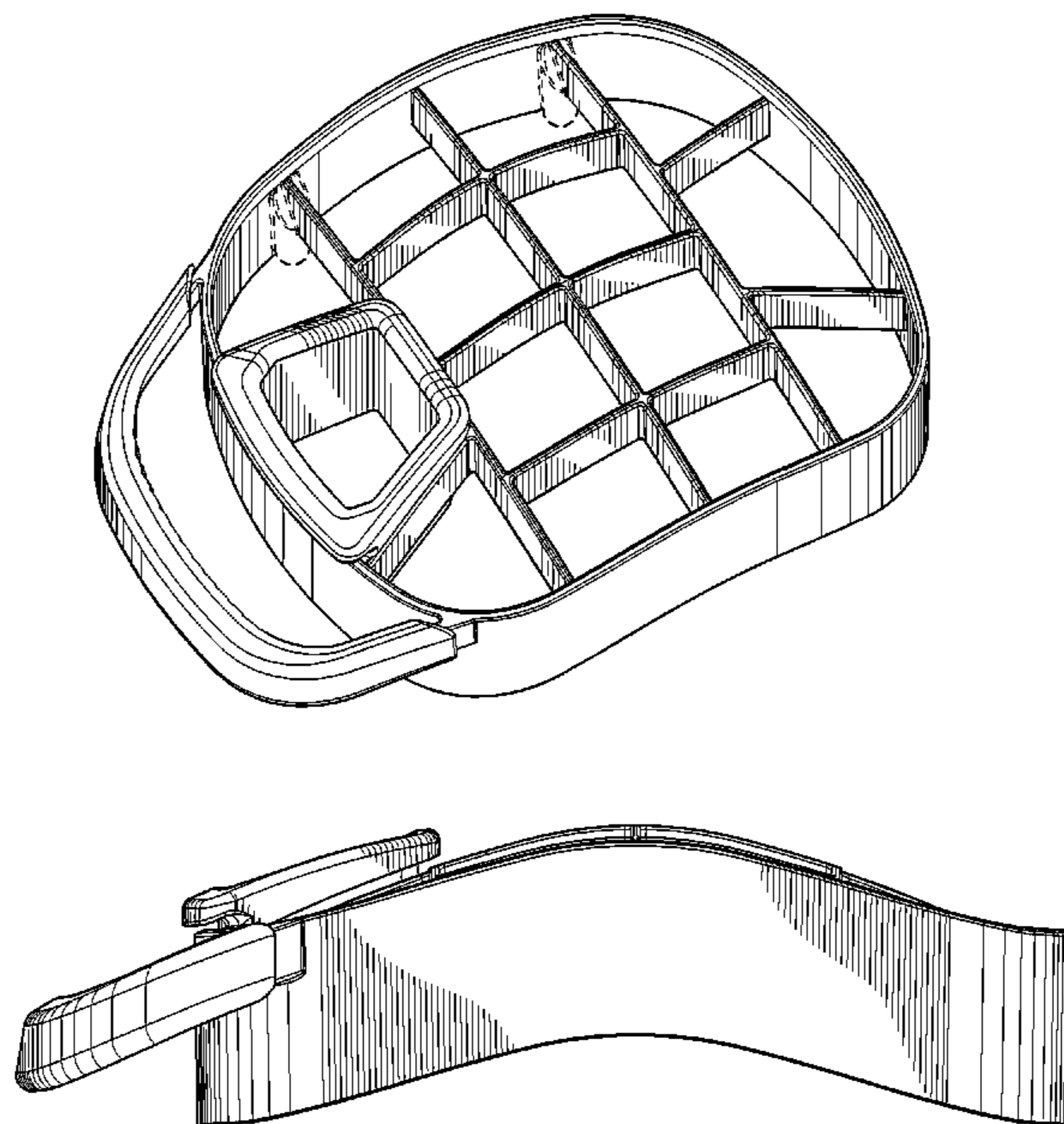
The ornamental design for a golf bag top, as shown and described.

DESCRIPTION

FIG. 1 is a top perspective view of a golf bag top; FIG. 2 is a bottom perspective view of the golf bag top of FIG. 1; FIG. 3 is a front view of the golf bag top of FIG. 1; FIG. 4 is a rear view of the golf bag top of FIG. 1; FIG. 5 is a top view of the golf bag top of FIG. 1; FIG. 6 is a bottom view of the golf bag top of FIG. 1; FIG. 7 is a left side view of the golf bag top of FIG. 1; and, FIG. 8 is a right side view of the golf bag top of FIG. 1. The broken lines shown in one or more of the figures are for illustrative purposes only and form no part of the claimed design.

1 Claim, 6 Drawing Sheets

- (56) **References Cited**
- U.S. PATENT DOCUMENTS
- D118,815 S 2/1940 Ferguson
- 3,331,419 A 7/1967 Bencriscutto
- 4,596,328 A 6/1986 Solheim
- 4,600,100 A 7/1986 Solheim
- 4,667,820 A 5/1987 Solheim
- 4,834,235 A 5/1989 Solheim
- 4,844,253 A 7/1989 Reimers
- D308,441 S 6/1990 Quellais
- 5,099,990 A 3/1992 Antonious
- 5,431,278 A 7/1995 Gretz
- 5,450,955 A 9/1995 Olson
- D372,362 S 8/1996 Bryant



(56)

References Cited

U.S. PATENT DOCUMENTS

D389,650 S 1/1998 Rhee
 5,725,095 A 3/1998 Beck
 D402,469 S 12/1998 Suk
 D406,459 S 3/1999 Sundara
 5,941,383 A 8/1999 Cheng
 D421,839 S 3/2000 Beck
 D422,789 S 4/2000 Sundara
 D422,791 S 4/2000 Han
 D429,416 S 8/2000 Heidenreich
 6,148,998 A 11/2000 Tan
 D434,905 S 12/2000 Ryan
 6,199,690 B1 3/2001 Shin
 D454,249 S 3/2002 Schmidt
 6,450,334 B1 9/2002 Chang
 6,494,416 B2 12/2002 Wang
 6,513,653 B1 2/2003 Chen
 6,564,936 B1 5/2003 Campbell
 6,568,527 B1 5/2003 Te-Pin
 D478,422 S 8/2003 Chen
 D487,543 S 3/2004 Chang
 6,726,009 B1 4/2004 Larson
 D493,620 S 8/2004 Reimers
 D494,761 S 8/2004 Gray
 6,817,469 B2 11/2004 Chang
 D501,604 S 2/2005 Kadoya
 6,877,604 B2 4/2005 Pratt
 D512,838 S 12/2005 Schmidt
 D513,125 S 12/2005 Anderson
 D513,876 S 1/2006 Solheim
 D513,877 S 1/2006 Solheim
 D513,878 S 1/2006 Anderson
 D515,316 S 2/2006 Chang
 D517,808 S 3/2006 Reimers
 7,014,040 B2 3/2006 Anderson
 D520,751 S 5/2006 Chang
 D520,752 S 5/2006 Solheim
 D522,754 S 6/2006 Anderson
 D523,639 S 6/2006 Vosloo

D523,640 S 6/2006 Vosloo
 D525,034 S 7/2006 Vosloo
 D530,922 S 10/2006 Anderson
 7,124,887 B2 10/2006 Reimers
 D534,355 S 1/2007 Renahan
 D537,252 S 2/2007 Vosloo
 D537,634 S 3/2007 Renahan
 D538,042 S 3/2007 Suggs
 7,216,762 B2 5/2007 Chen
 D544,210 S 6/2007 McGuire
 D546,064 S 7/2007 Vosloo
 D546,561 S 7/2007 Vosloo
 D557,501 S 12/2007 Suggs
 D557,502 S 12/2007 Quartarone, III
 D566,398 S 4/2008 Hooley
 D566,965 S 4/2008 Hooley
 D566,966 S 4/2008 Hooley
 7,357,251 B2 4/2008 Vosloo
 D577,916 S 10/2008 Quartarone, III
 D580,656 S 11/2008 Quartarone, III
 D613,063 S 4/2010 Quartarone, III
 D613,064 S 4/2010 Quartarone, III
 D613,065 S 4/2010 McGuire
 D613,066 S 4/2010 McGuire
 7,909,215 B2 3/2011 McGuire
 D649,353 S 11/2011 Loudenslager
 D649,354 S 11/2011 Loudenslager
 D649,355 S 11/2011 Loudenslager
 D649,356 S 11/2011 Loudenslager
 D669,266 S 10/2012 Loudenslager
 2001/0025802 A1 10/2001 Sutter
 2002/0179466 A1 12/2002 Maeng
 2002/0189962 A1 12/2002 Chen
 2004/0211688 A1 10/2004 Doss
 2005/0092630 A1 5/2005 Chen

OTHER PUBLICATIONS

Ryan J. Bruce et al., "Golf Bag Top," U.S. Appl. No. 29/465,820, filed Aug. 30, 2013.

* cited by examiner

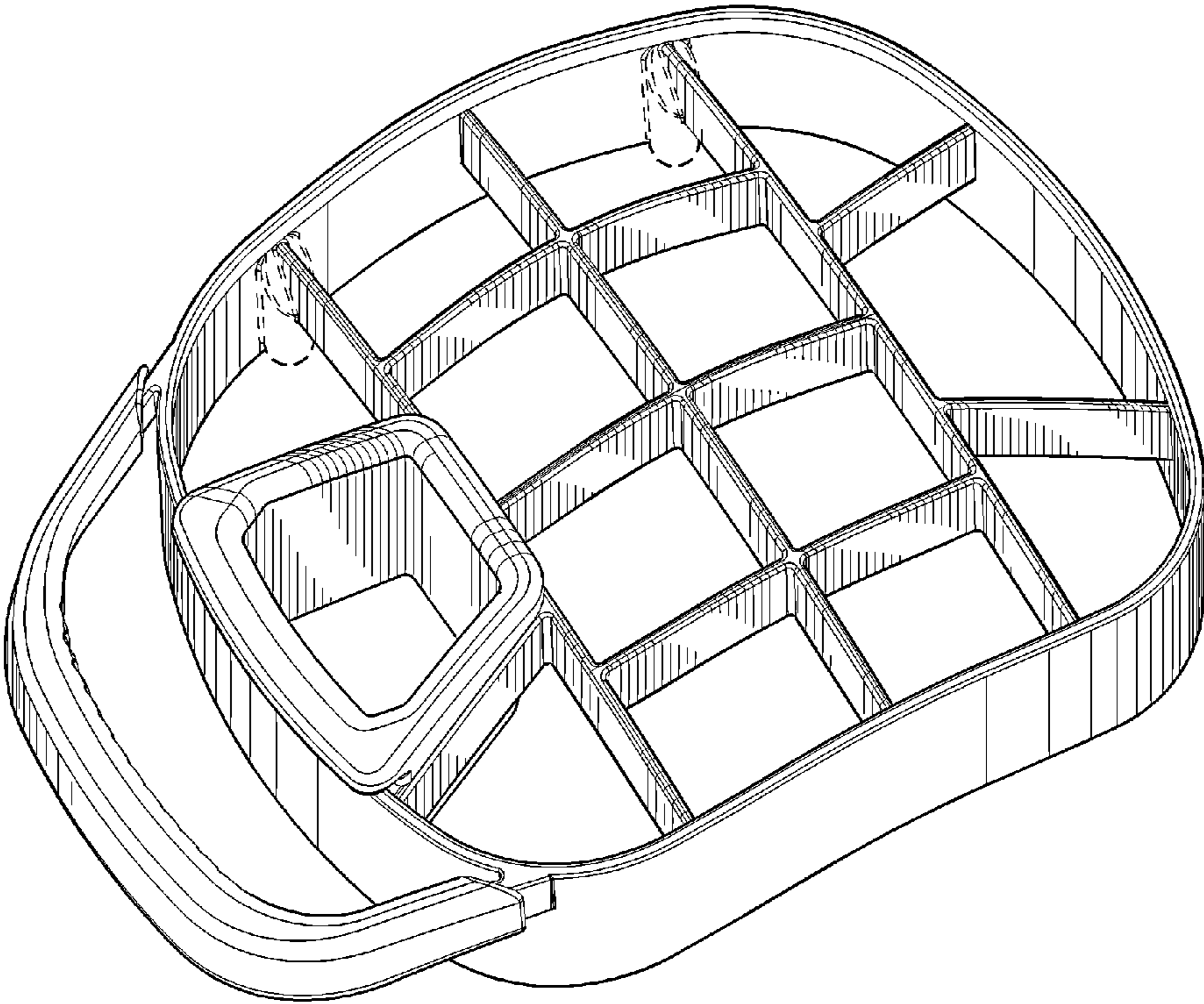


Fig. 1

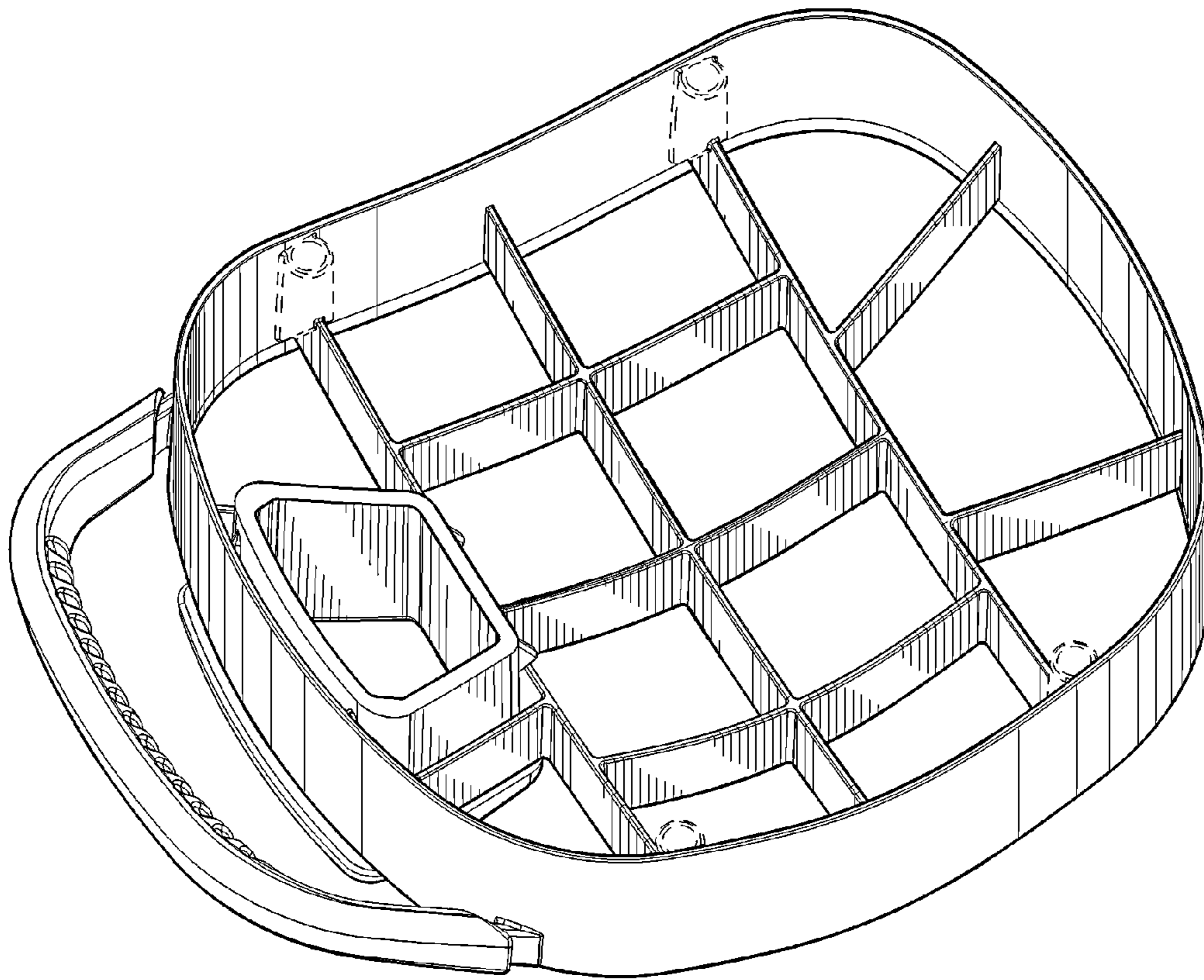


Fig. 2

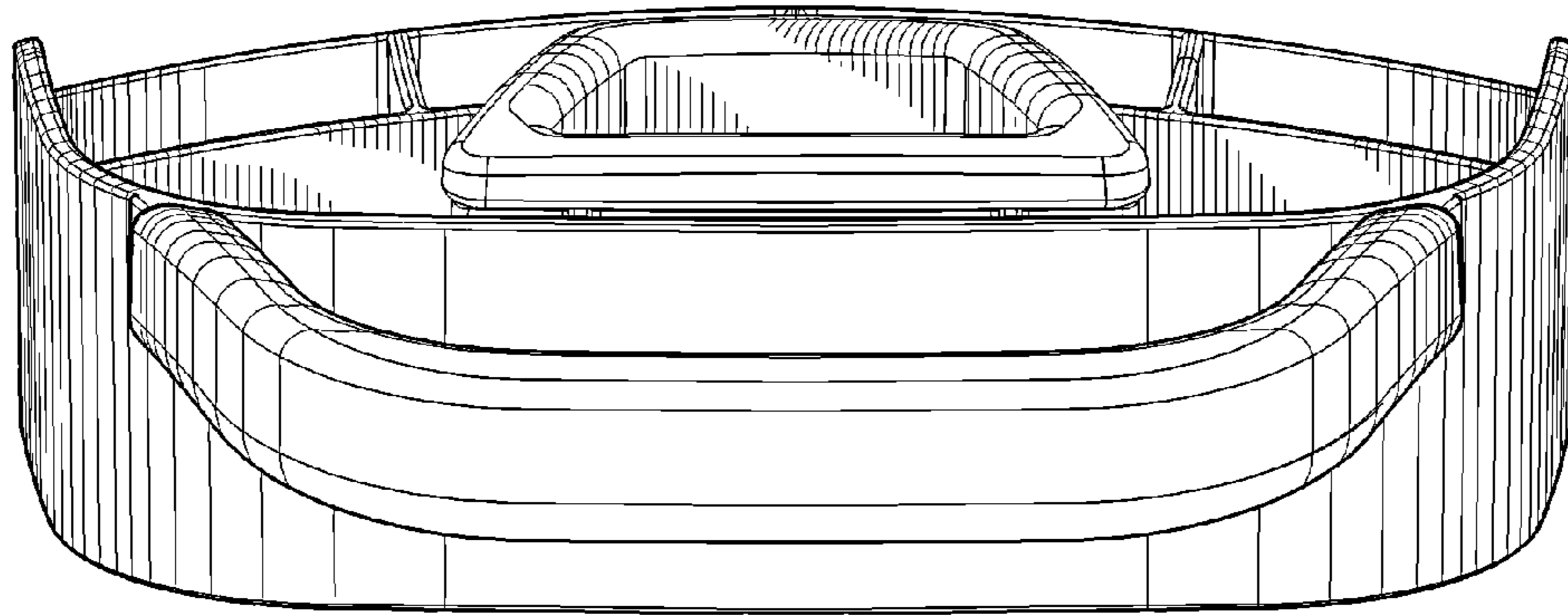


Fig. 3

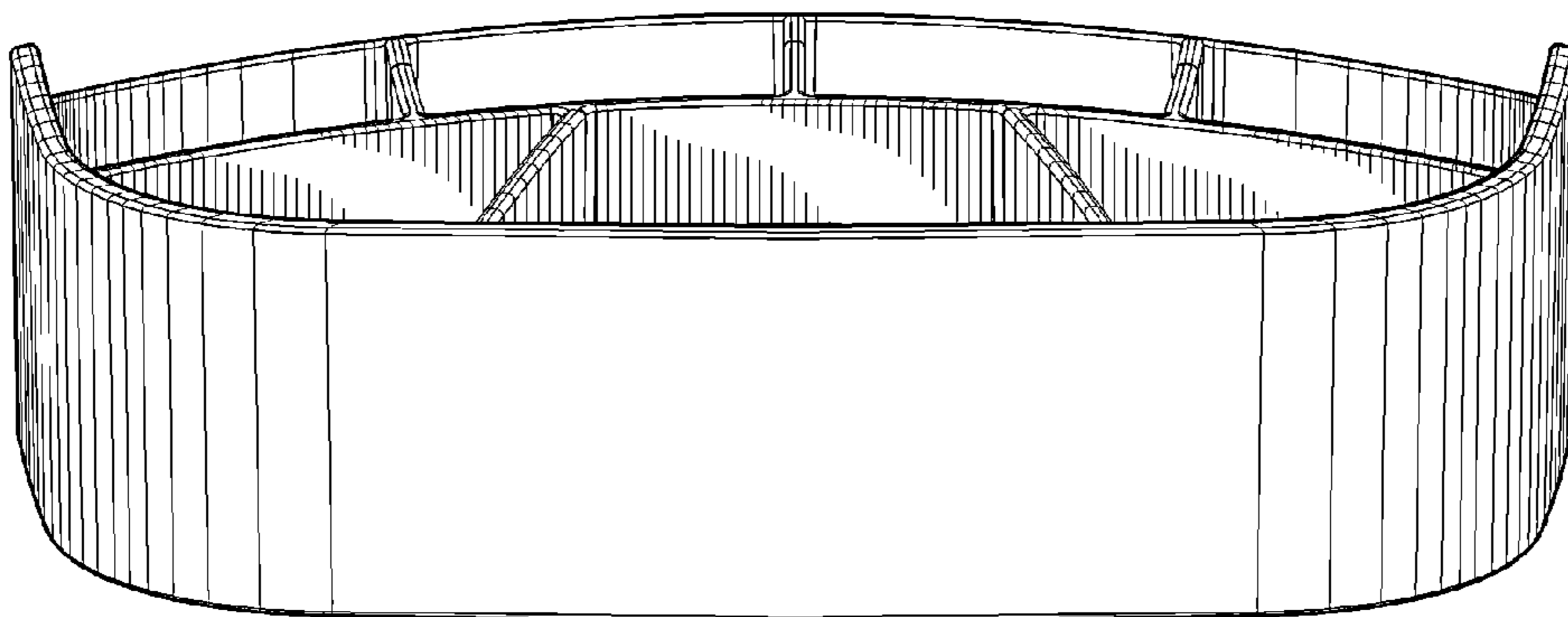


Fig. 4

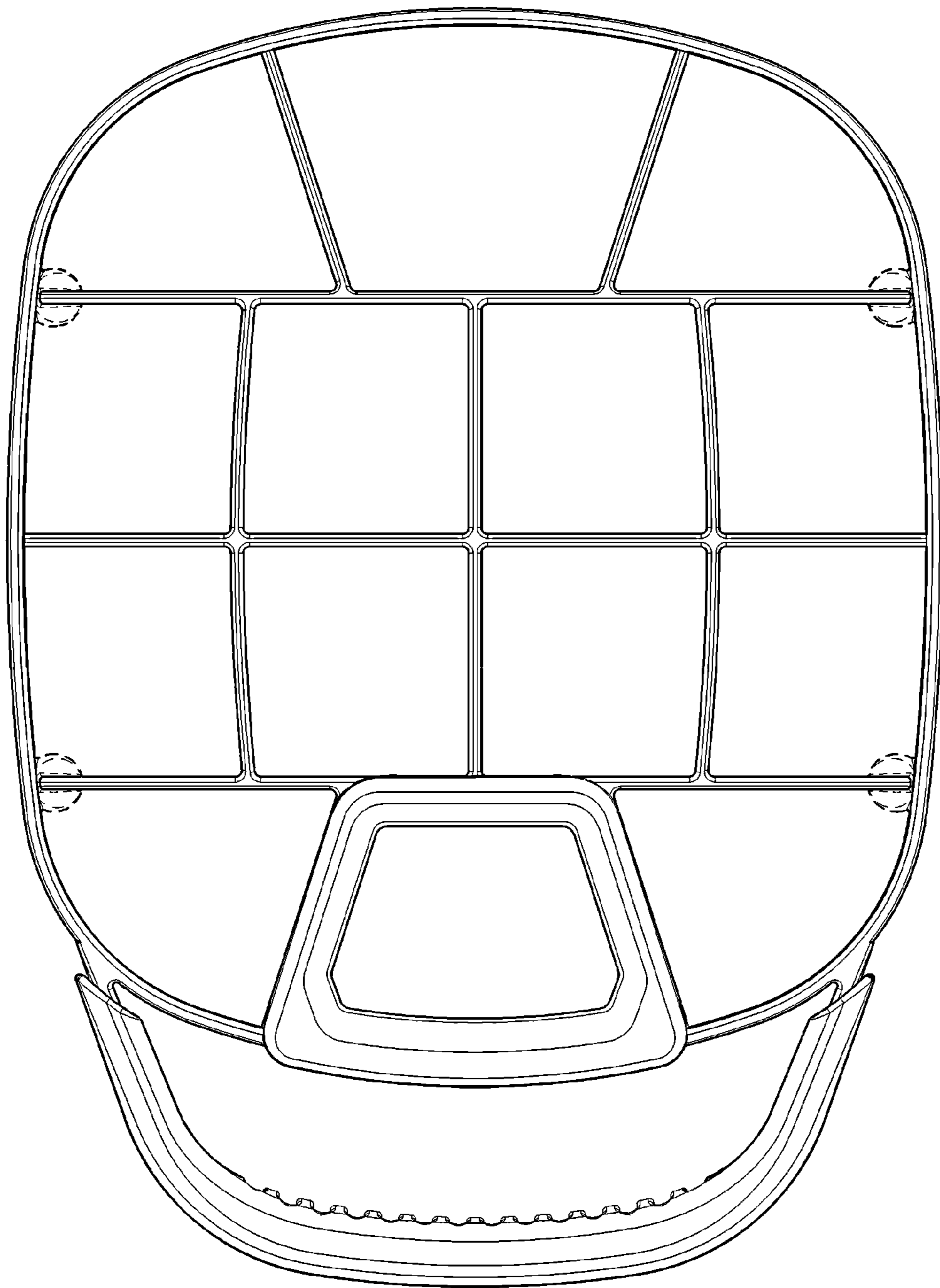


Fig. 5

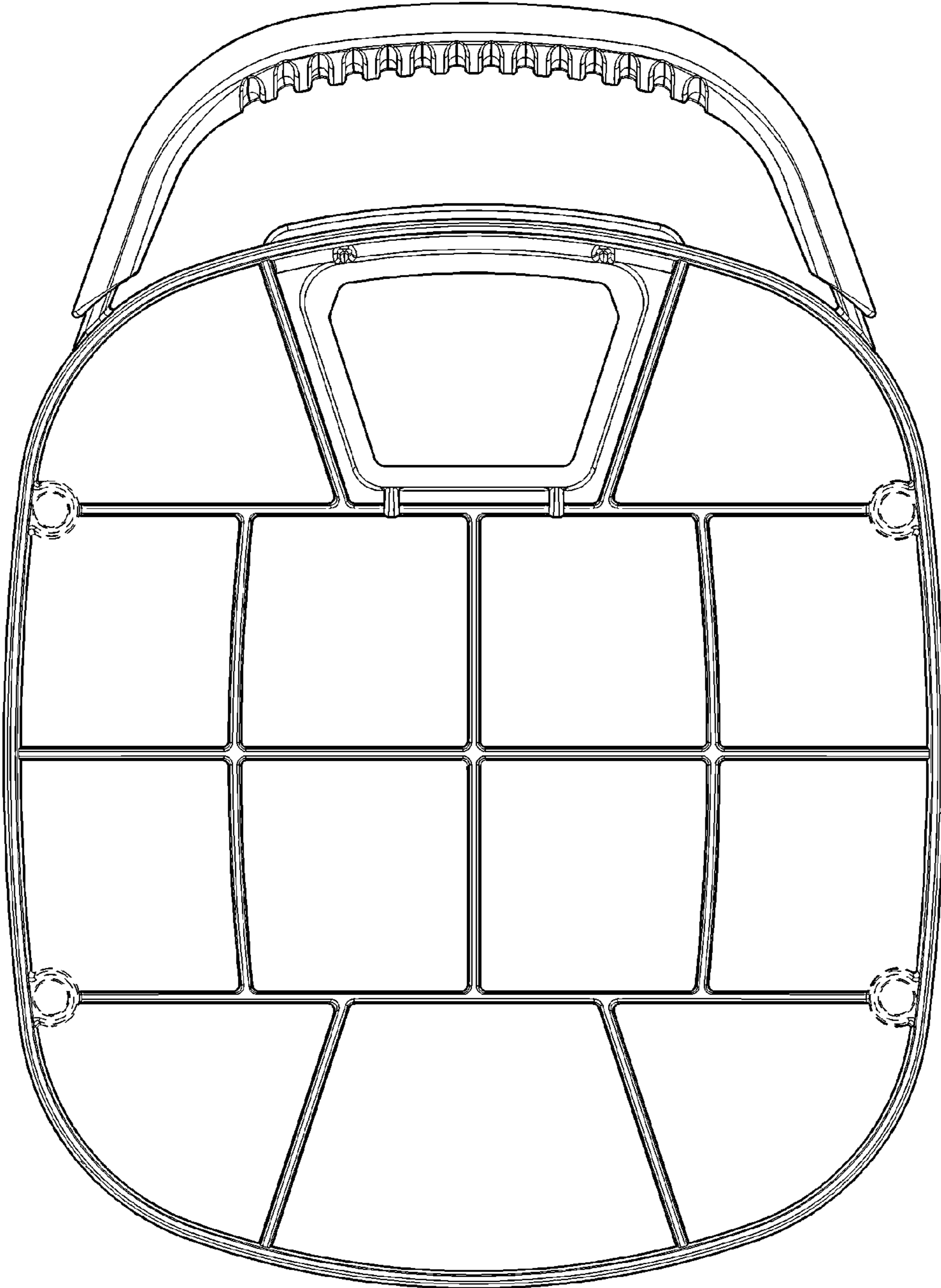


Fig. 6

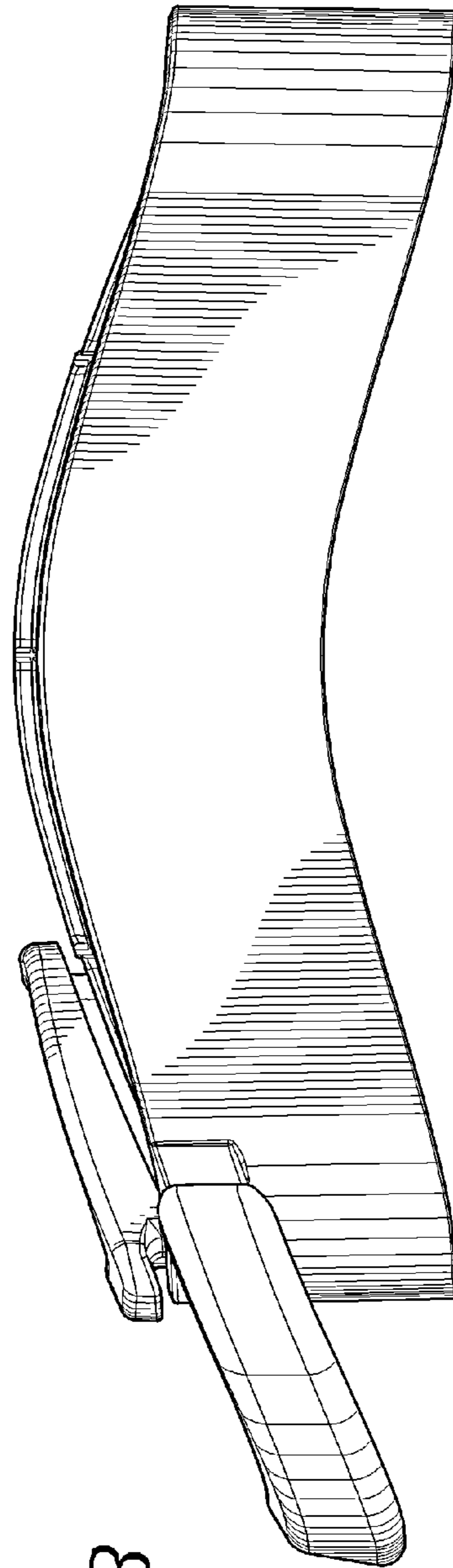
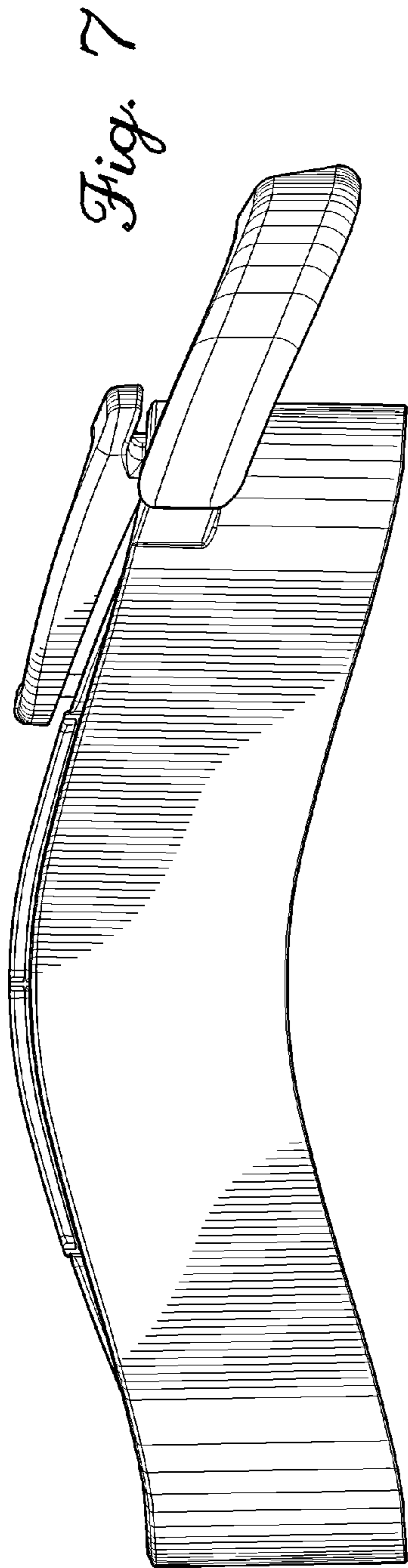


Fig. 8