



US00D718533S

(12) **United States Design Patent**
Leadholm

(10) **Patent No.:** **US D718,533 S**
(45) **Date of Patent:** **** Dec. 2, 2014**

- (54) **HARVEST CONTAINER**
- (71) Applicant: **John M. Leadholm**, Hastings, MN (US)
- (72) Inventor: **John M. Leadholm**, Hastings, MN (US)
- (**) Term: **14 Years**
- (21) Appl. No.: **29/485,168**
- (22) Filed: **Mar. 17, 2014**

D538,539 S *	3/2007	Richardson et al.	D3/314
D549,454 S *	8/2007	Åhman	D3/304
D575,061 S *	8/2008	Titas et al.	D3/304
8,025,174 B2 *	9/2011	Martheenal	220/495.11
D648,535 S *	11/2011	Reinhart et al.	D3/302
D657,105 S *	4/2012	Martheenal	D34/1
D666,829 S *	9/2012	Liao	D3/304
D682,673 S *	5/2013	Miller et al.	D9/424
D685,994 S *	7/2013	Chen	D3/311

* cited by examiner

Primary Examiner — Kelley Donnelly
(74) *Attorney, Agent, or Firm* — Charles S. Sara, Esq.;
DeWitt Ross & Stevens S.C.

Related U.S. Application Data

- (63) Continuation of application No. 29/452,423, filed on Apr. 16, 2013, now abandoned.
- (51) **LOC (10) Cl.** **03-01**
- (52) **U.S. Cl.**
USPC **D3/307**
- (58) **Field of Classification Search**
USPC D3/302, 304–305, 307, 308–315;
D34/1; D19/75–76, 86, 90–91,
D19/99–100; 229/100, 113.13, 117.16,
229/120.12, 120.24; 312/183–184, 107;
211/45–46, 10–11, 26.13
See application file for complete search history.

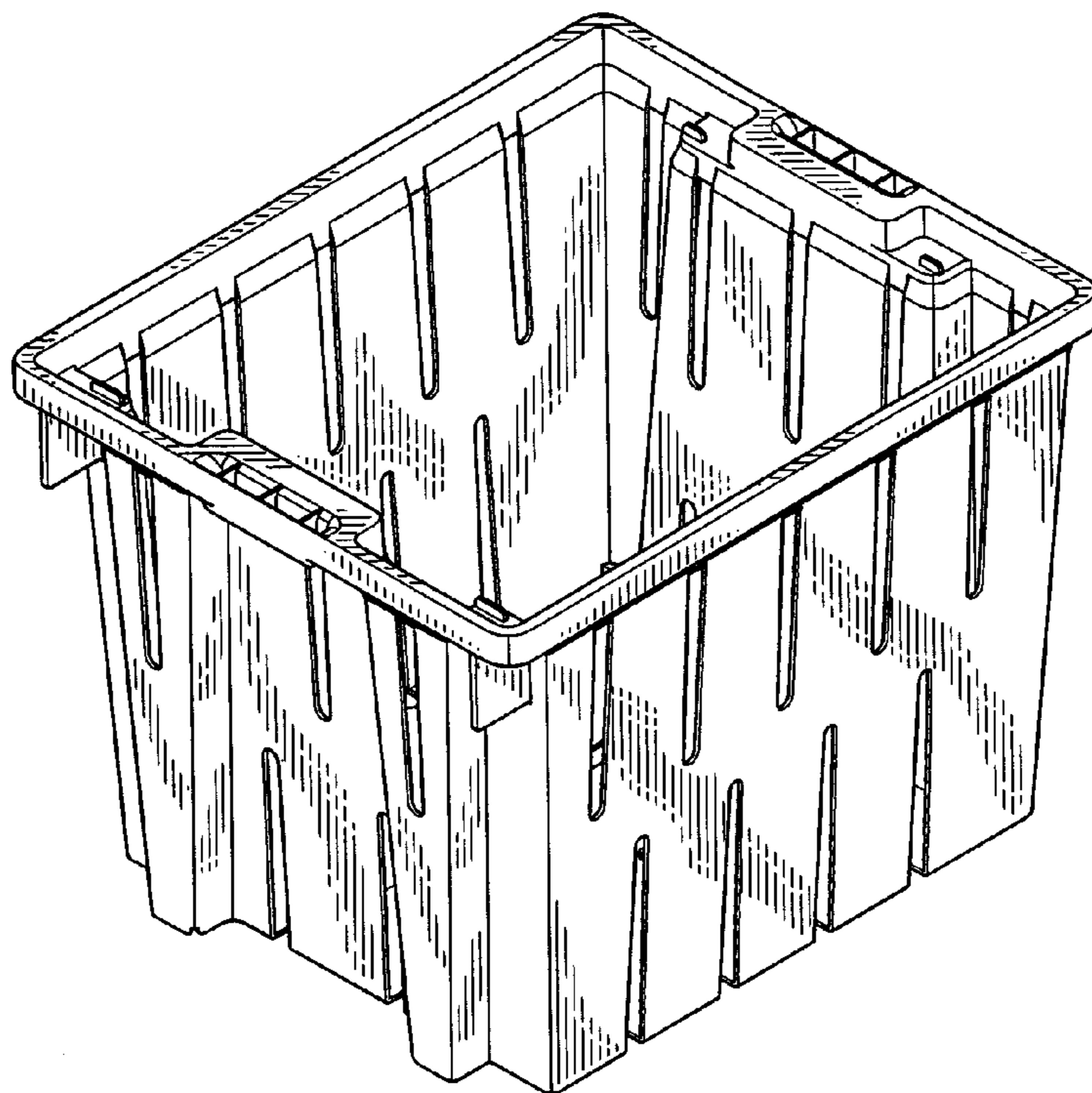
(57) **CLAIM**
The ornamental design for a harvest container, as shown and described.

DESCRIPTION

FIG. 1 is a front perspective view of a harvest container showing my design;
FIG. 2 is a right side elevational view thereof;
FIG. 3 is a left side elevational view thereof;
FIG. 4 is a front elevational view thereof;
FIG. 5 is a rear elevational view thereof;
FIG. 6 is a bottom plan view thereof; and,
FIG. 7 is top plan view thereof.
The broken lines shown in the drawings are included for purpose of illustrating environmental structure and form no part of the claimed design.

- (56) **References Cited**
U.S. PATENT DOCUMENTS
D320,298 S * 9/1991 Apps et al. D3/312
D351,284 S * 10/1994 Kruger D3/314

1 Claim, 4 Drawing Sheets



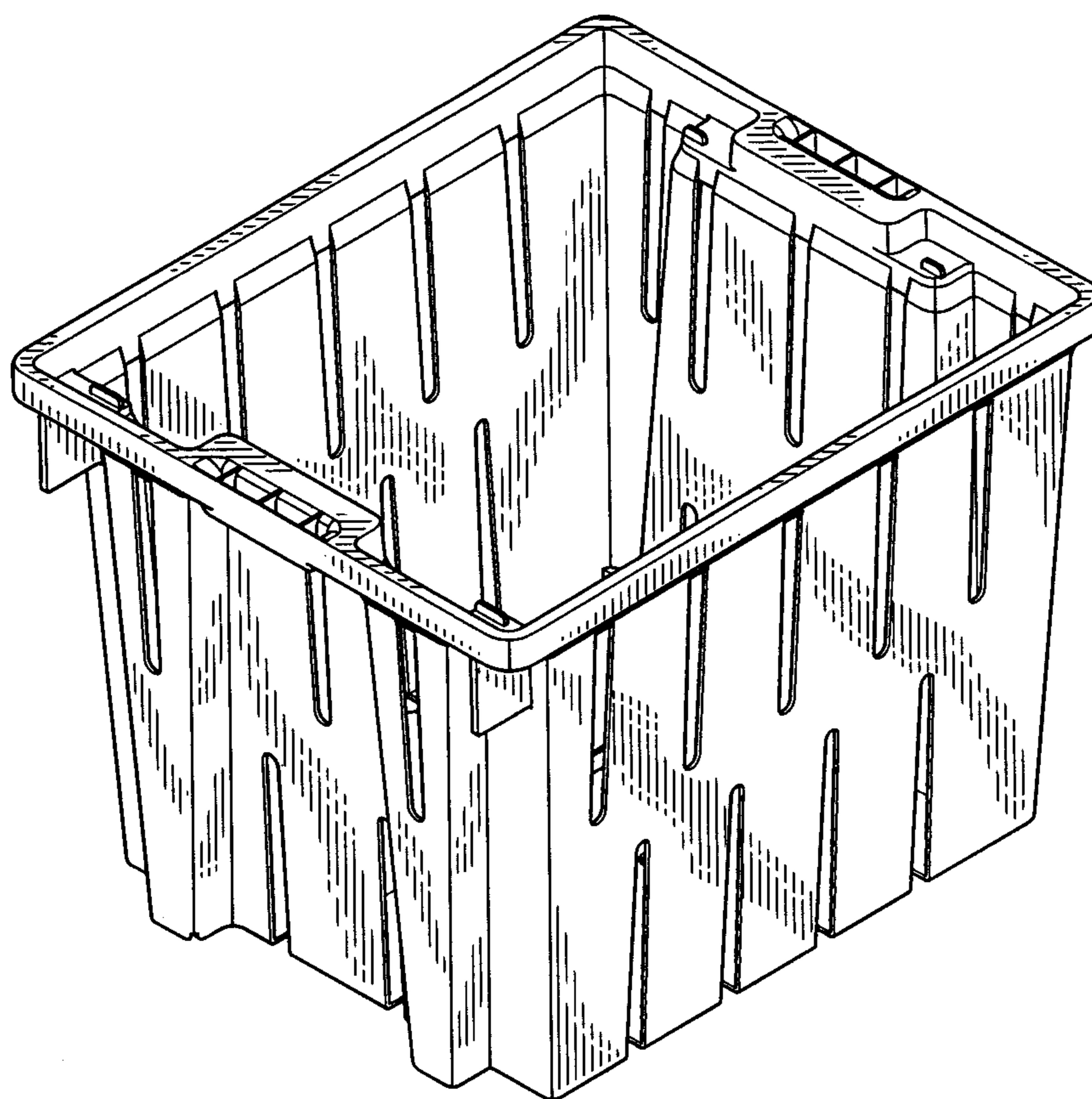


FIG. 1

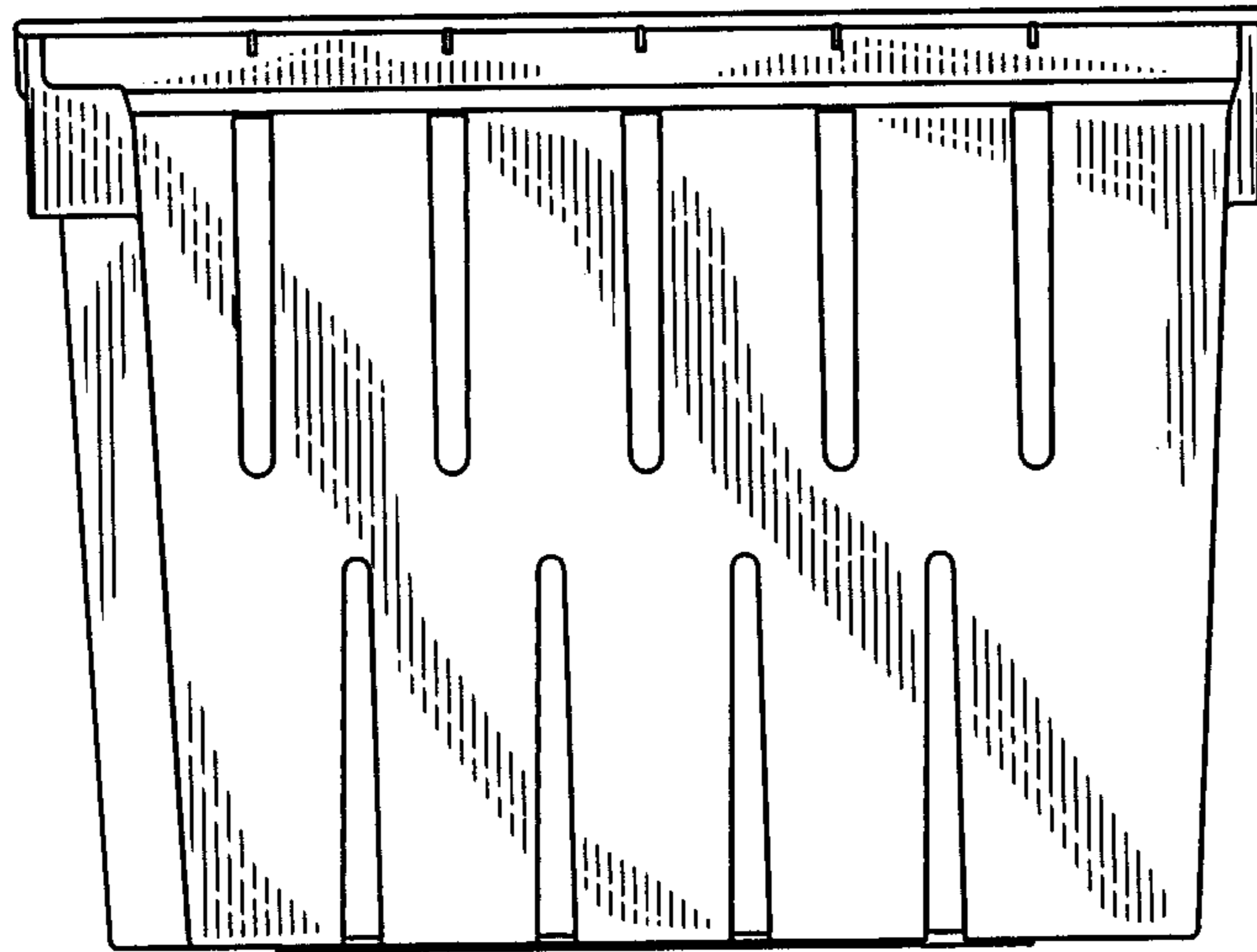


FIG. 2

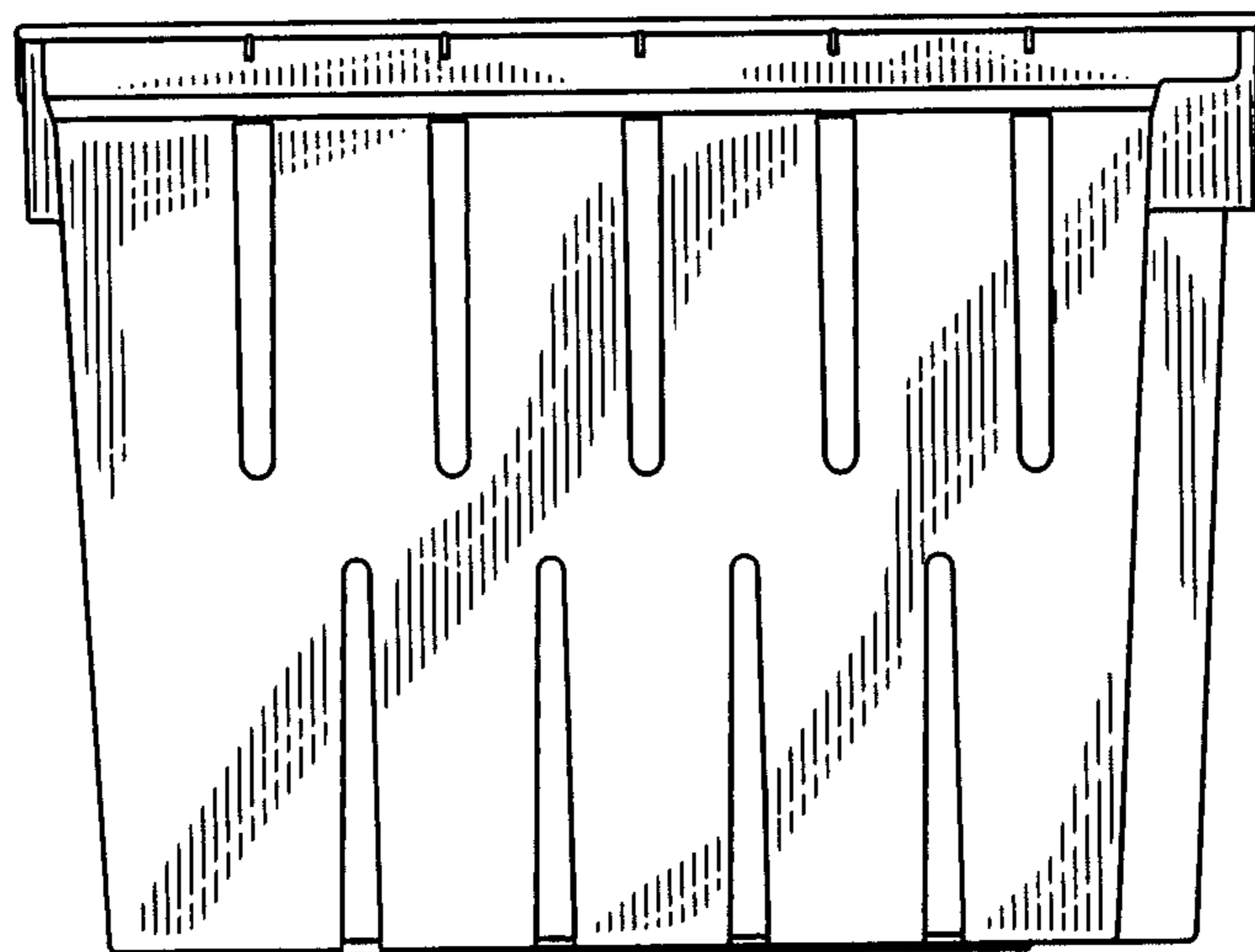


FIG. 3

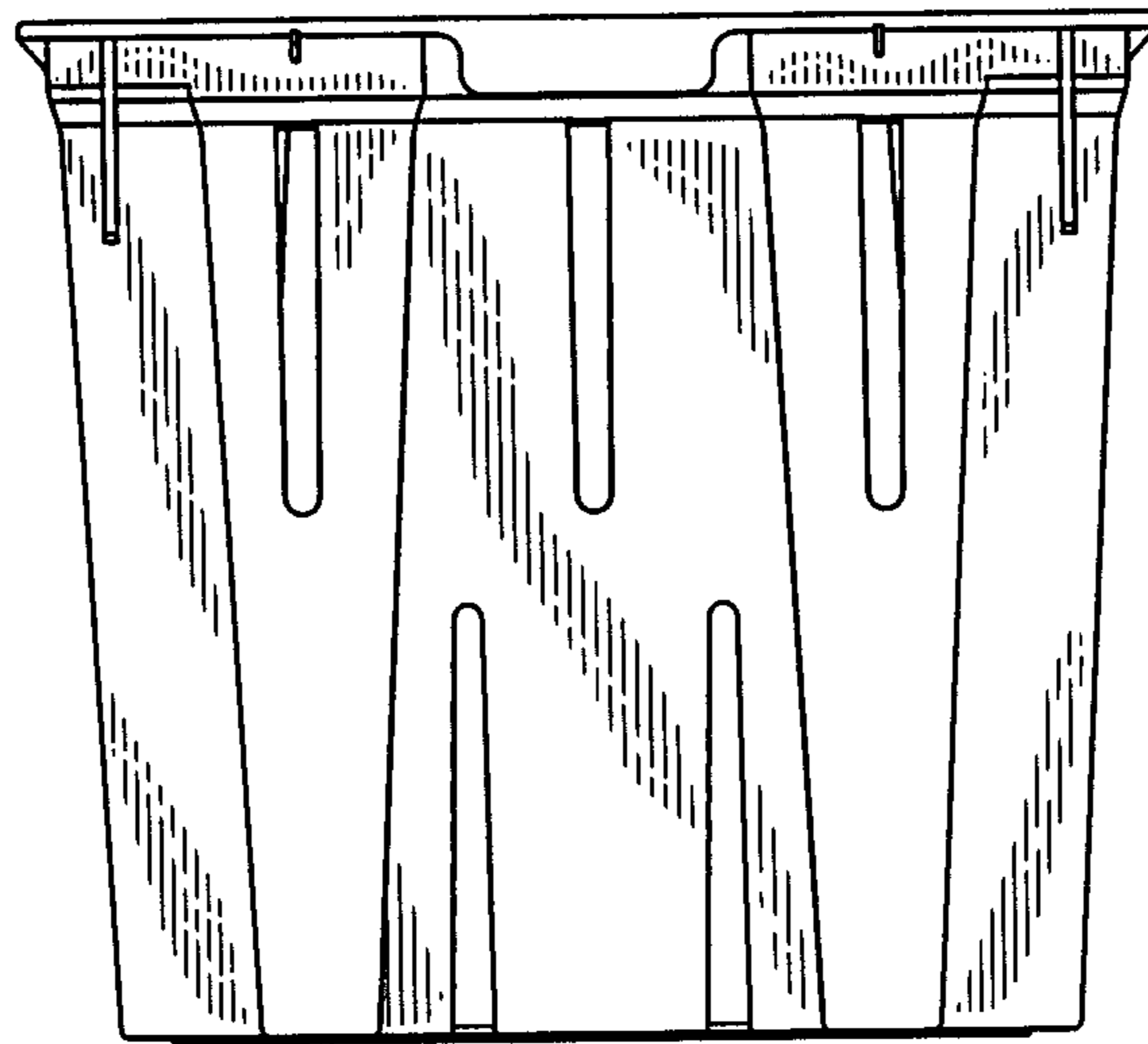


FIG. 4

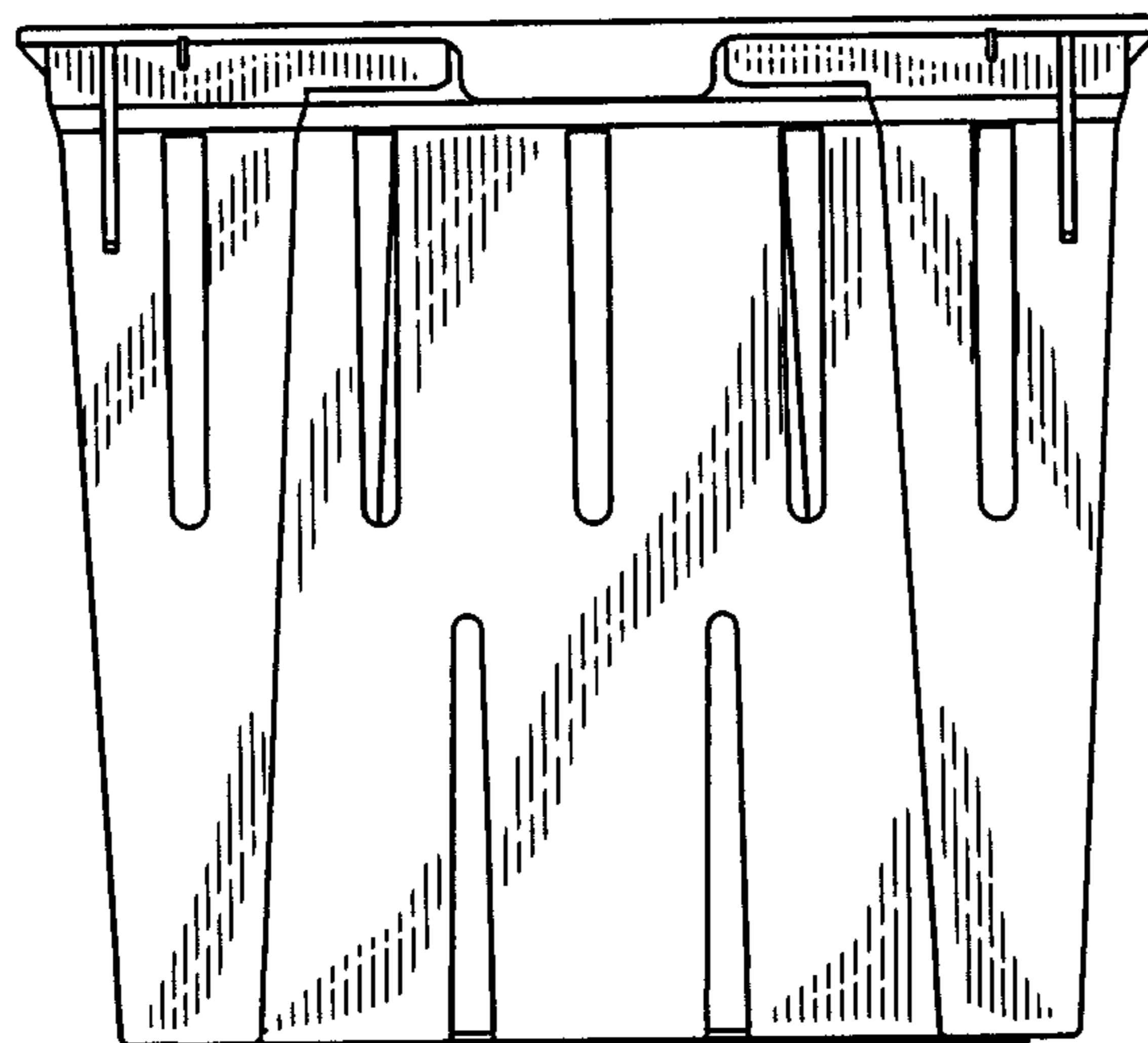


FIG. 5

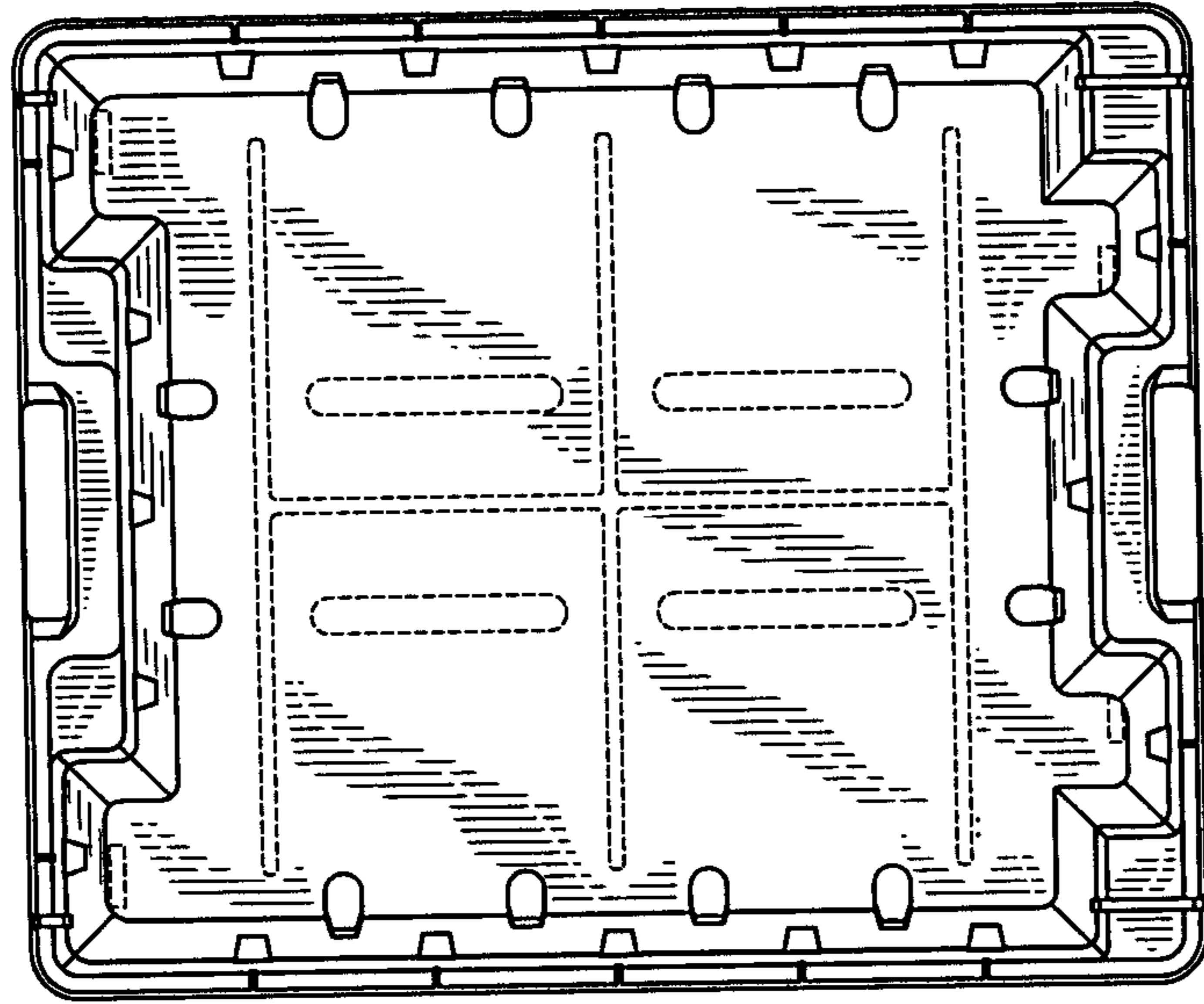


FIG. 6

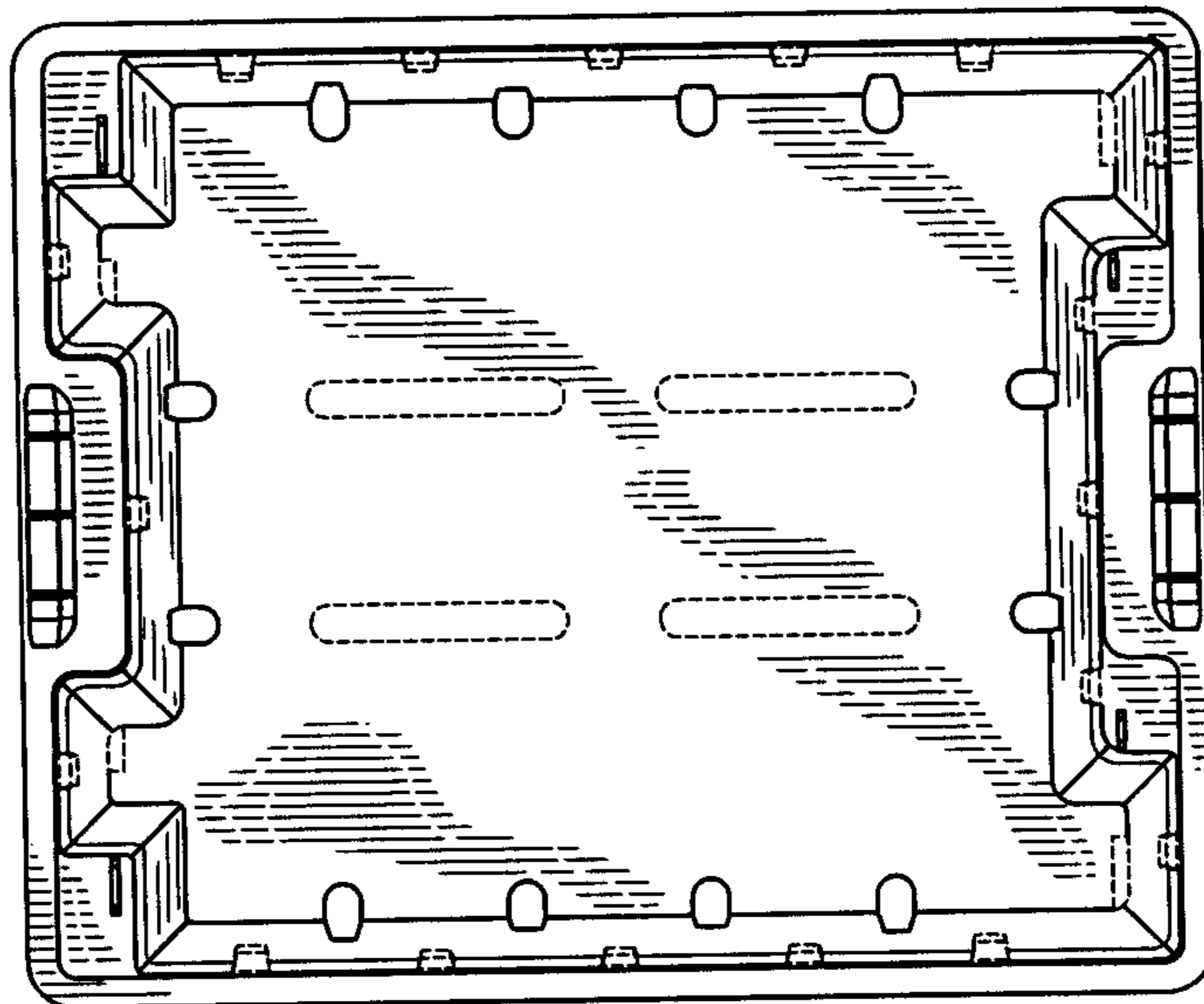


FIG. 7