



US00D718531S

(12) **United States Design Patent**  
**Hitzler**

(10) **Patent No.:** **US D718,531 S**

(45) **Date of Patent:** **\*\* Dec. 2, 2014**

(54) **TABLET COMPUTER COVER AND FILE FOLDER**

(71) Applicant: **Jeff Hitzler**, Green Bay, WI (US)

(72) Inventor: **Jeff Hitzler**, Green Bay, WI (US)

(\*\*) Term: **14 Years**

(21) Appl. No.: **29/462,484**

(22) Filed: **Aug. 5, 2013**

(51) **LOC (10) Cl.** ..... **03-01**

(52) **U.S. Cl.**  
USPC ..... **D3/299**

(58) **Field of Classification Search**

CPC ..... A45C 13/002  
USPC ..... D3/203.1, 203.5, 203.6, 203.8, 205,  
D3/215, 218, 221, 247, 249, 252, 273, 274,  
D3/301; D14/250, 251, 253, 440, 447;  
D19/27; 206/38, 301, 305, 810;  
150/136-138, 130-132

See application file for complete search history.

(56) **References Cited**

**U.S. PATENT DOCUMENTS**

D242,343 S \* 11/1976 Testro et al. .... D19/26  
D465,087 S \* 11/2002 Shapiro ..... D3/303  
D586,851 S \* 2/2009 Lapsker ..... D19/26  
D599,400 S \* 9/2009 Lapsker ..... D19/26  
D625,362 S \* 10/2010 Sarkissian et al. .... D19/26  
D646,892 S \* 10/2011 Littleton ..... D3/299  
D649,185 S \* 11/2011 Bakrania ..... D19/26  
D649,785 S \* 12/2011 Akana et al. .... D3/303

D658,880 S \* 5/2012 Akana et al. .... D3/303  
D670,499 S \* 11/2012 Akana et al. .... D3/303  
D685,803 S \* 7/2013 Akana et al. .... D14/440  
D688,868 S \* 9/2013 Akana et al. .... D3/303  
D692,237 S \* 10/2013 Chang ..... D3/303

\* cited by examiner

*Primary Examiner* — Adir Aronovich

*Assistant Examiner* — Ethiene Salgado-Rodriguez

(74) *Attorney, Agent, or Firm* — Harpman & Harpman

(57) **CLAIM**

The ornamental design for a tablet computer cover and file folder, as shown and described.

**DESCRIPTION**

FIG. 1 is a top perspective view of a tablet computer cover and file folder showing my new design.

FIG. 2 is a bottom plan view thereof.

FIG. 3 is a top plan view thereof, shown holding a tablet computer.

FIG. 4 is a right end elevational view thereof.

FIG. 5 is a left end elevational view thereof.

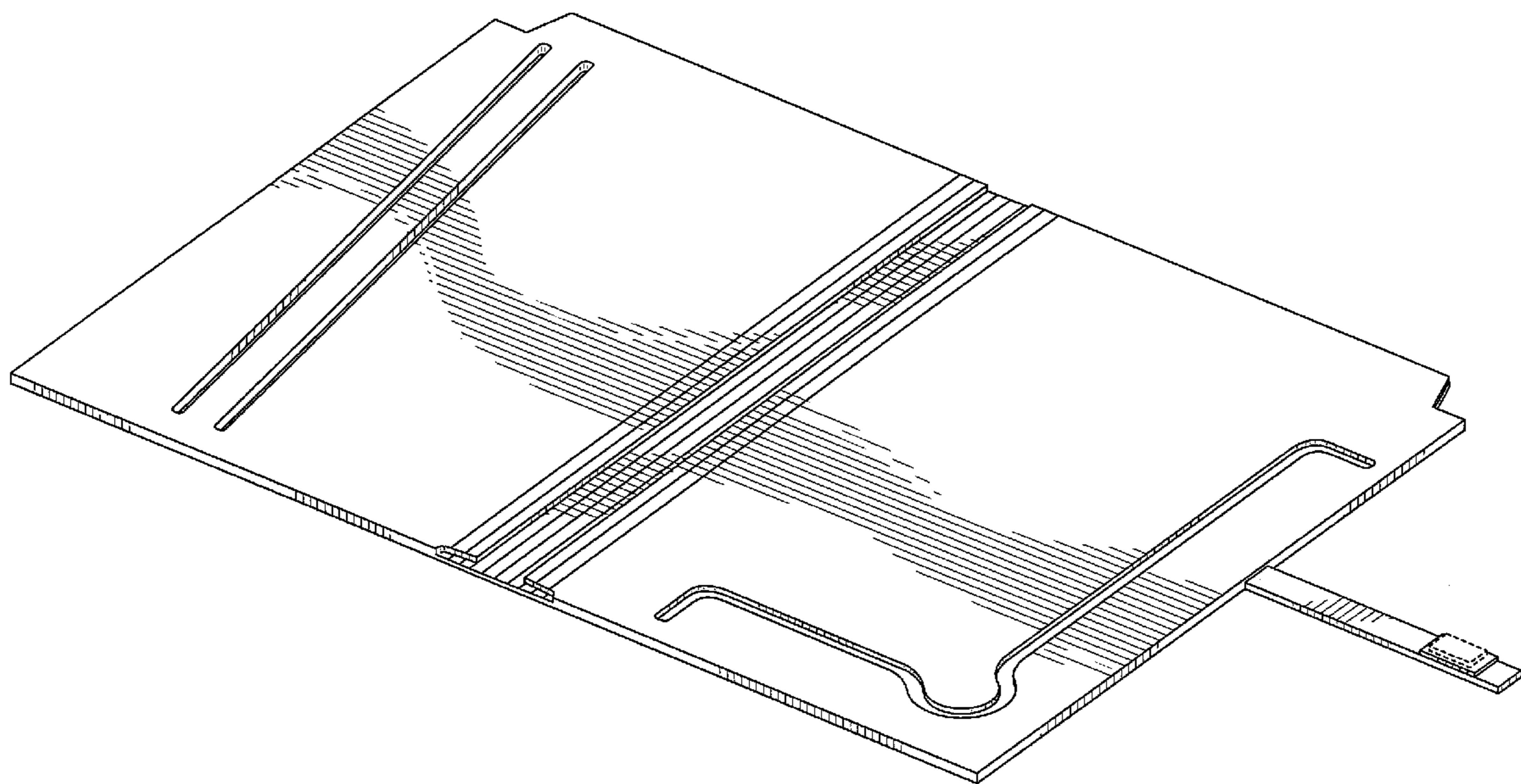
FIG. 6 is a front elevational view thereof.

FIG. 7 is a rear elevational view thereof; and,

FIG. 8 is a top perspective view thereof, shown with an insert sheet.

The broken lines in the drawings are shown for the purpose of illustrating environment only and form no part of the claimed design.

**1 Claim, 6 Drawing Sheets**



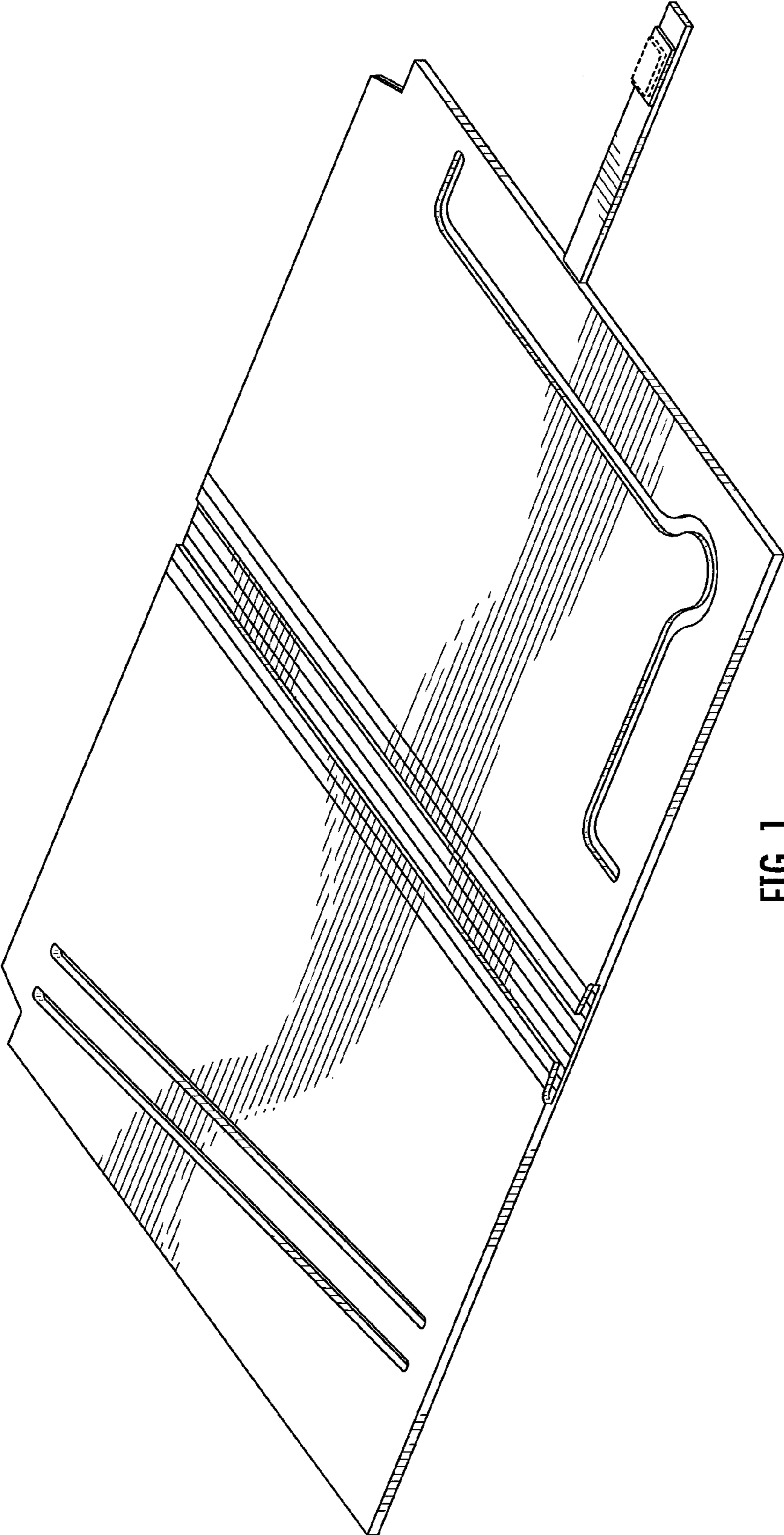


FIG. 1

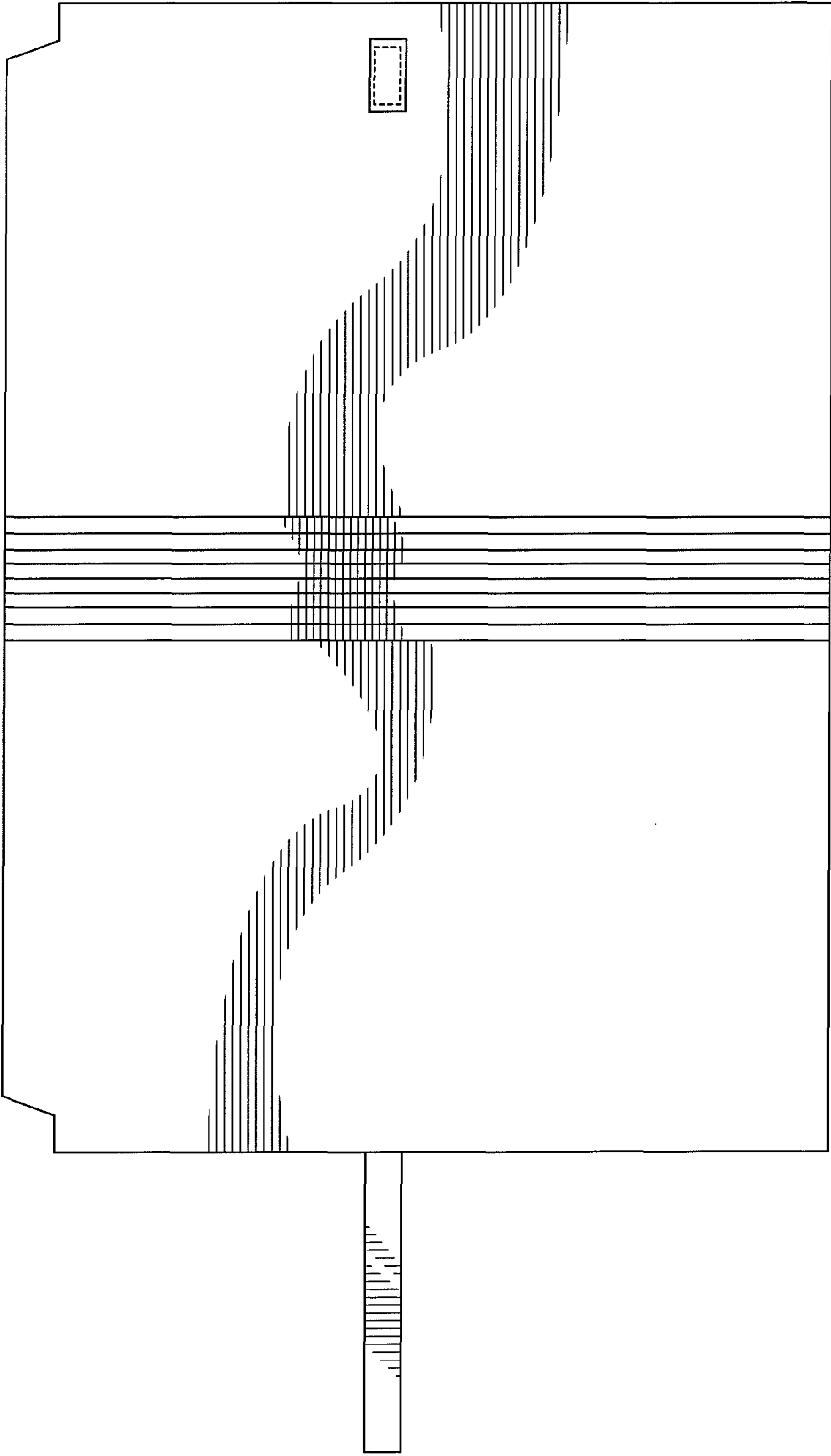


FIG. 2

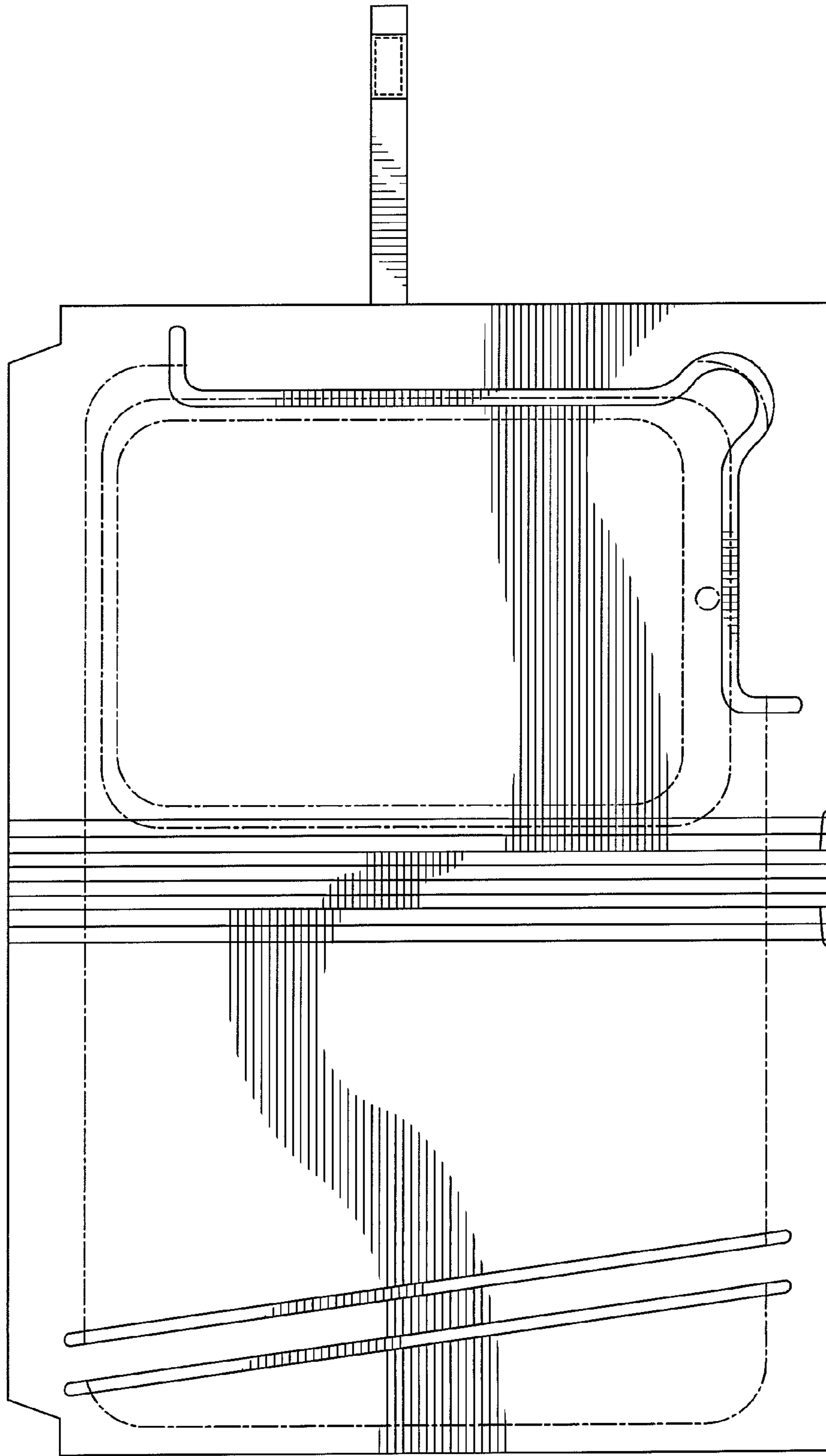


FIG. 3



FIG. 4



FIG. 5

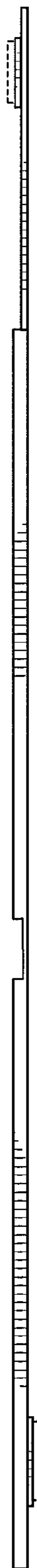


FIG. 6

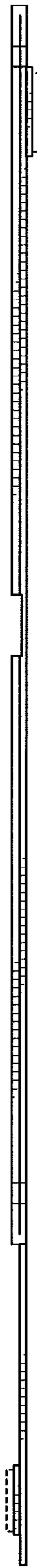


FIG. 7



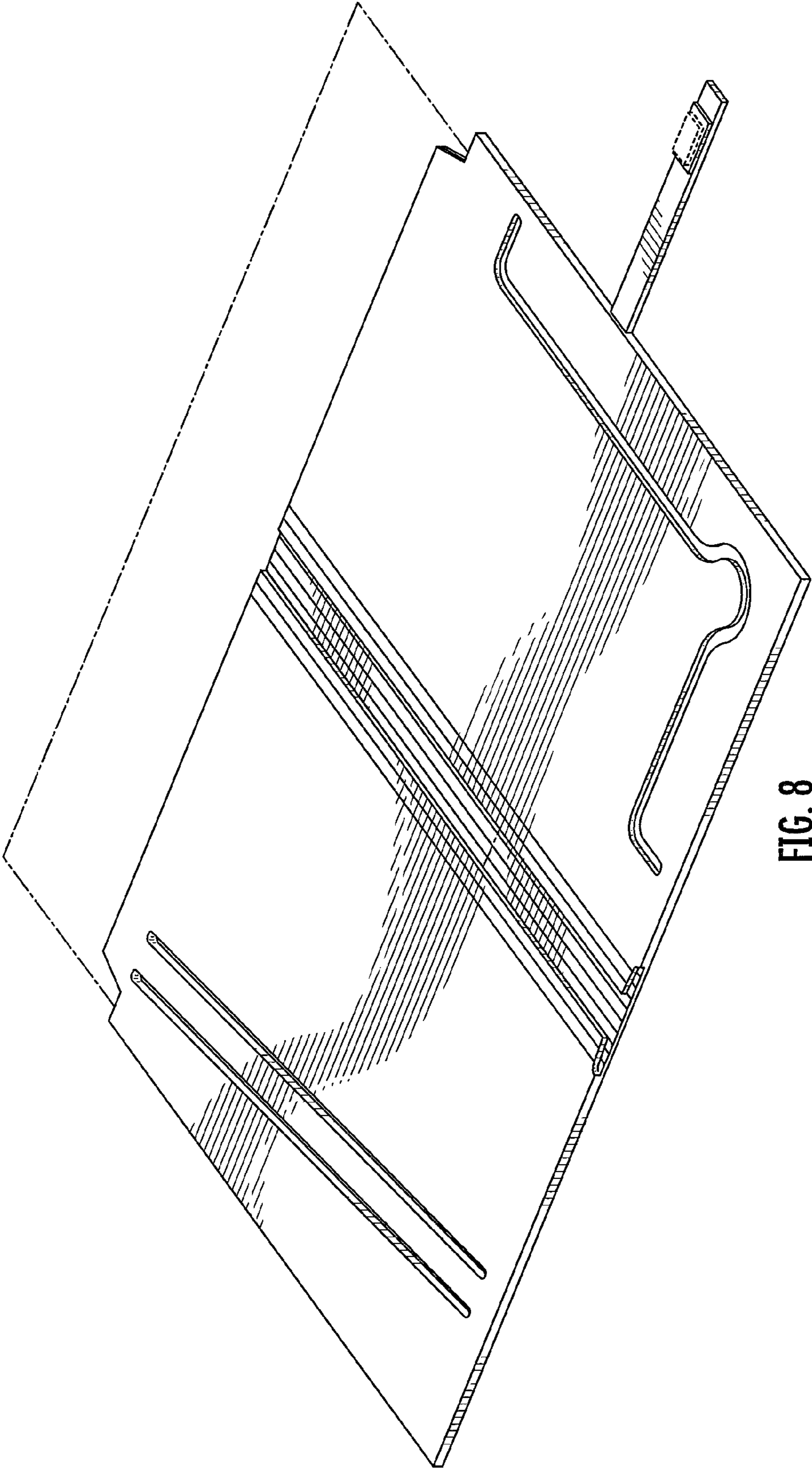


FIG. 8