

US00D718530S

(12) **United States Design Patent**
Crawford

(10) **Patent No.:** **US D718,530 S**
(45) **Date of Patent:** **** Dec. 2, 2014**

(54) **FLY SWATTER CONTAINER**

FOREIGN PATENT DOCUMENTS

(71) Applicant: **Kenneth Crawford**, Bakersfield, CA
(US)

CA 2178103 8/1996

* cited by examiner

(72) Inventor: **Kenneth Crawford**, Bakersfield, CA
(US)

Primary Examiner — Catheri Oliver-Garcia

(74) *Attorney, Agent, or Firm* — George S. Levy

(**) Term: **14 Years**

(57) **CLAIM**

The ornamental design for a fly swatter container, as shown and described.

(21) Appl. No.: **29/481,667**

(22) Filed: **Feb. 7, 2014**

DESCRIPTION

(51) **LOC (10) Cl.** **03-01**

FIG. 1 a perspective view of the fly swatter container in the closed position.

(52) **U.S. Cl.**

FIG. 2 is a top view of the fly swatter container in the closed position.

USPC **D3/294**

FIG. 3 is a side view of the fly swatter container in the closed position.

(58) **Field of Classification Search**

USPC D3/294, 201, 269, 273, 280, 272, 292;
43/136-137; 206/15.3, 361, 362.4, 446

FIG. 4 a perspective view of the fly swatter container in the fully opened position.

See application file for complete search history.

FIG. 5 is a perspective view of the rear of the fly swatter container in the fully opened position.

(56) **References Cited**

U.S. PATENT DOCUMENTS

4,759,150 A * 7/1988 Pierce 43/136

7,721,486 B2 5/2010 Rosario

7,992,707 B2 8/2011 Henry

8,074,796 B1 * 12/2011 Andrews 206/361

D691,372 S * 10/2013 Chun D3/294

D702,437 S * 4/2014 Laboret D3/293

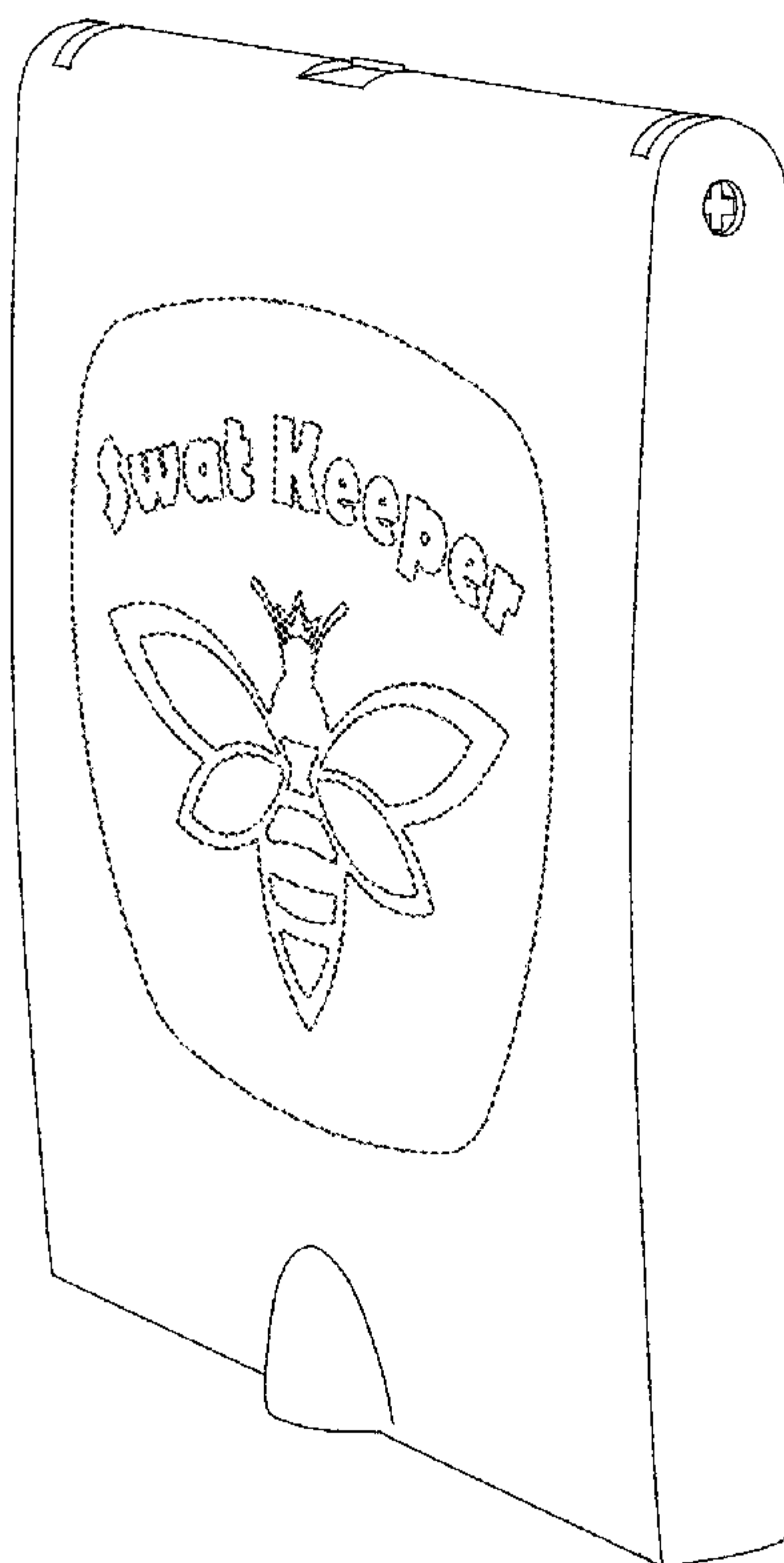
2008/0190012 A1 8/2008 Chanthalangsy

FIG. 6 a perspective view of the fly swatter container in the partially opened position.

FIG. 7 a perspective view of the fly swatter container in the fully opened position and showing a fly swatter inside; and,

FIG. 8 is a top view of the fly swatter container in the closed position showing an alternate logo.

1 Claim, 8 Drawing Sheets



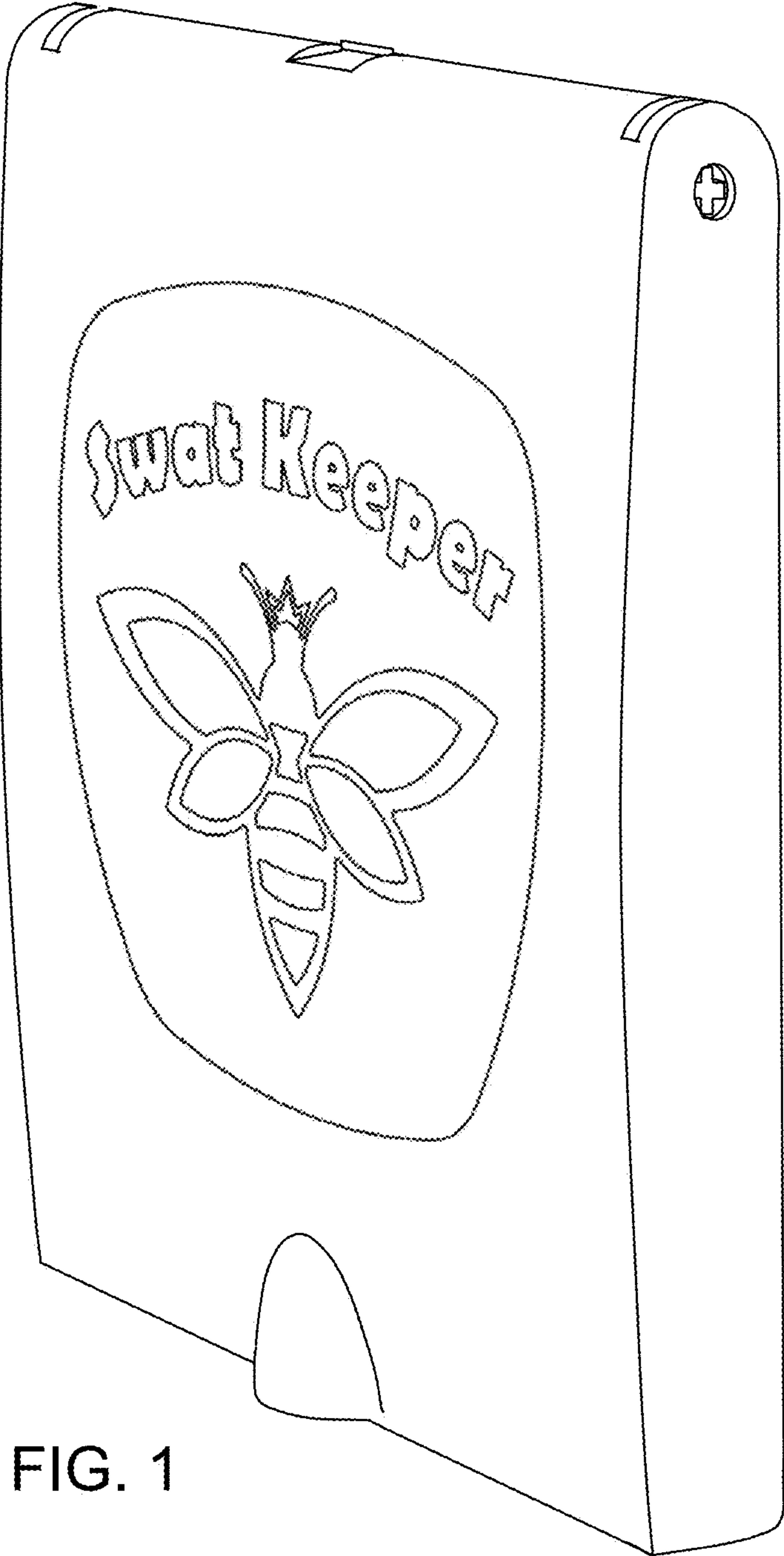


FIG. 1

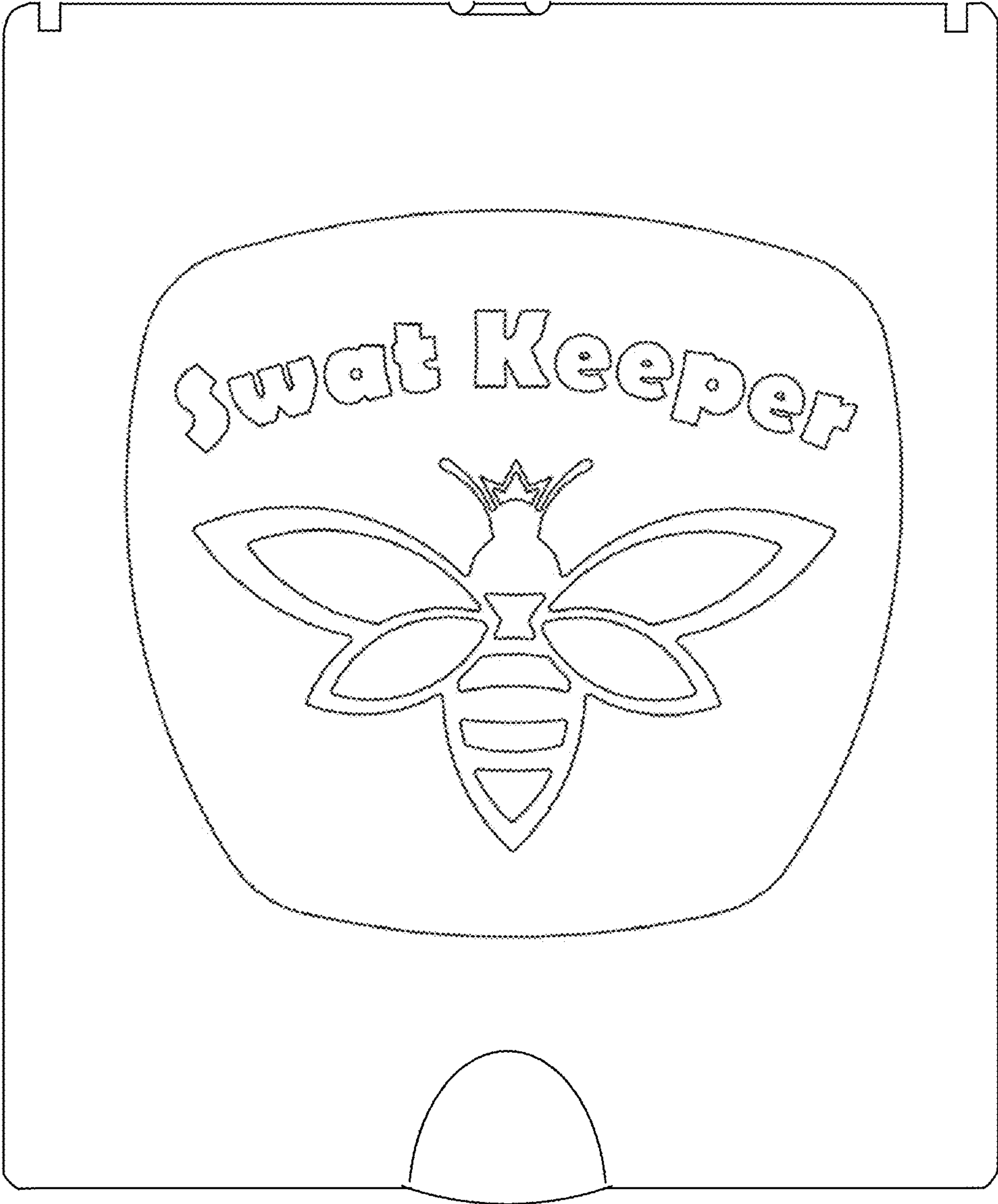


FIG. 2

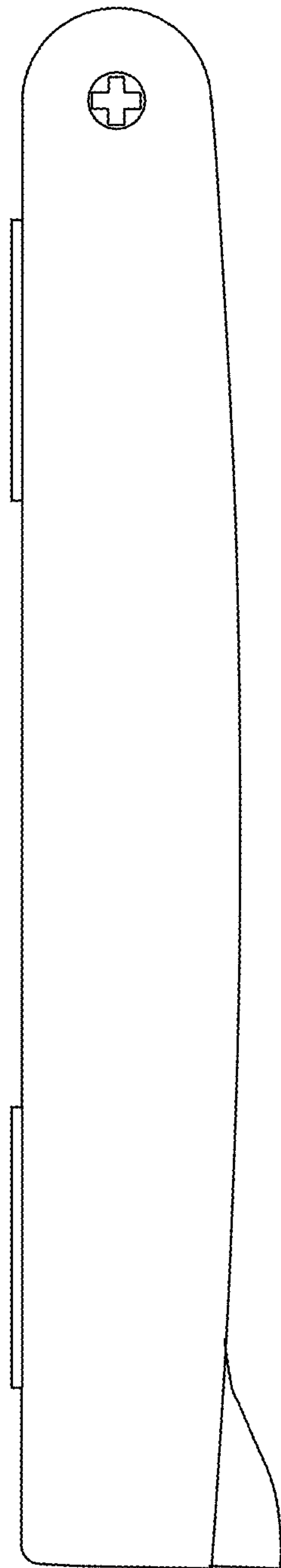


FIG. 3

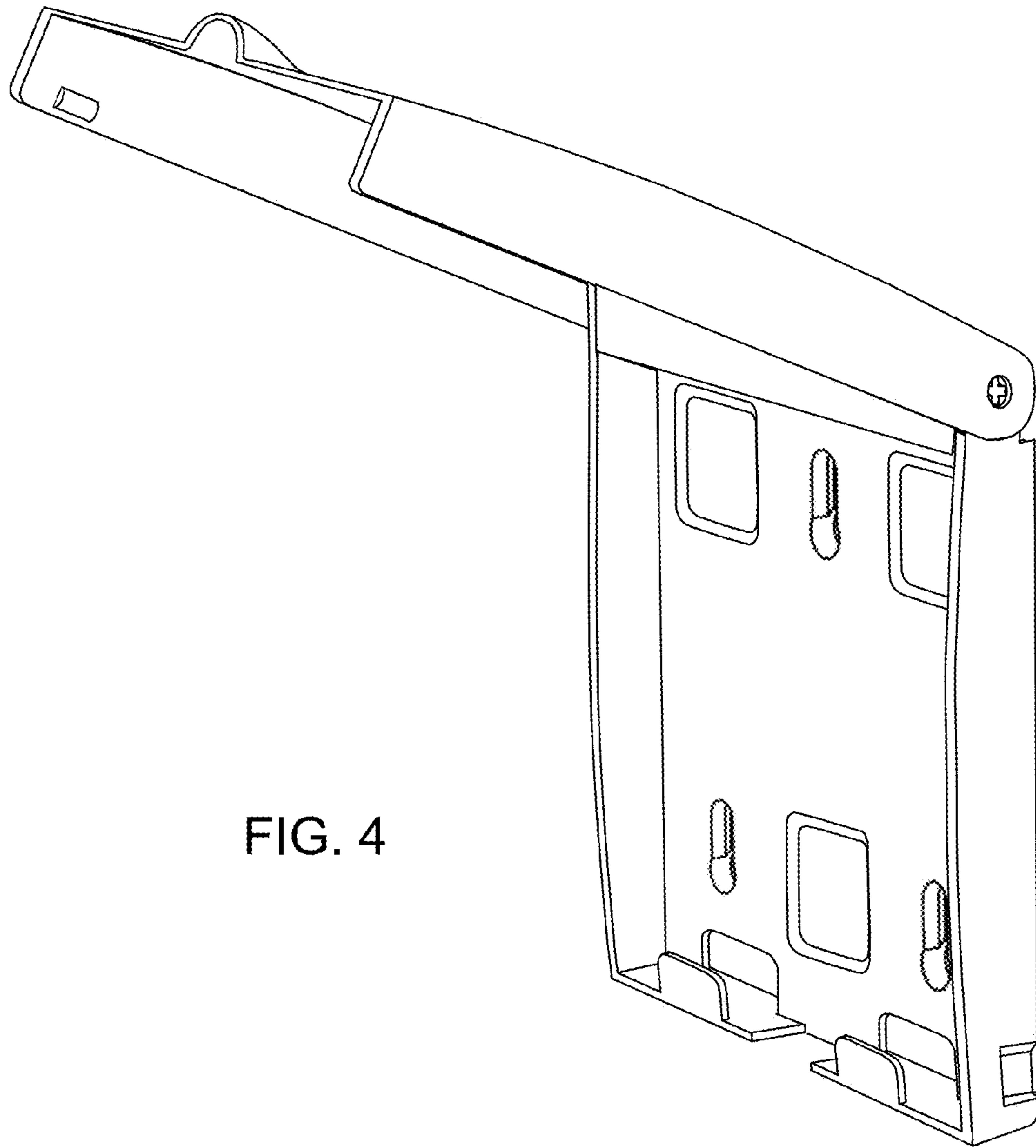


FIG. 4

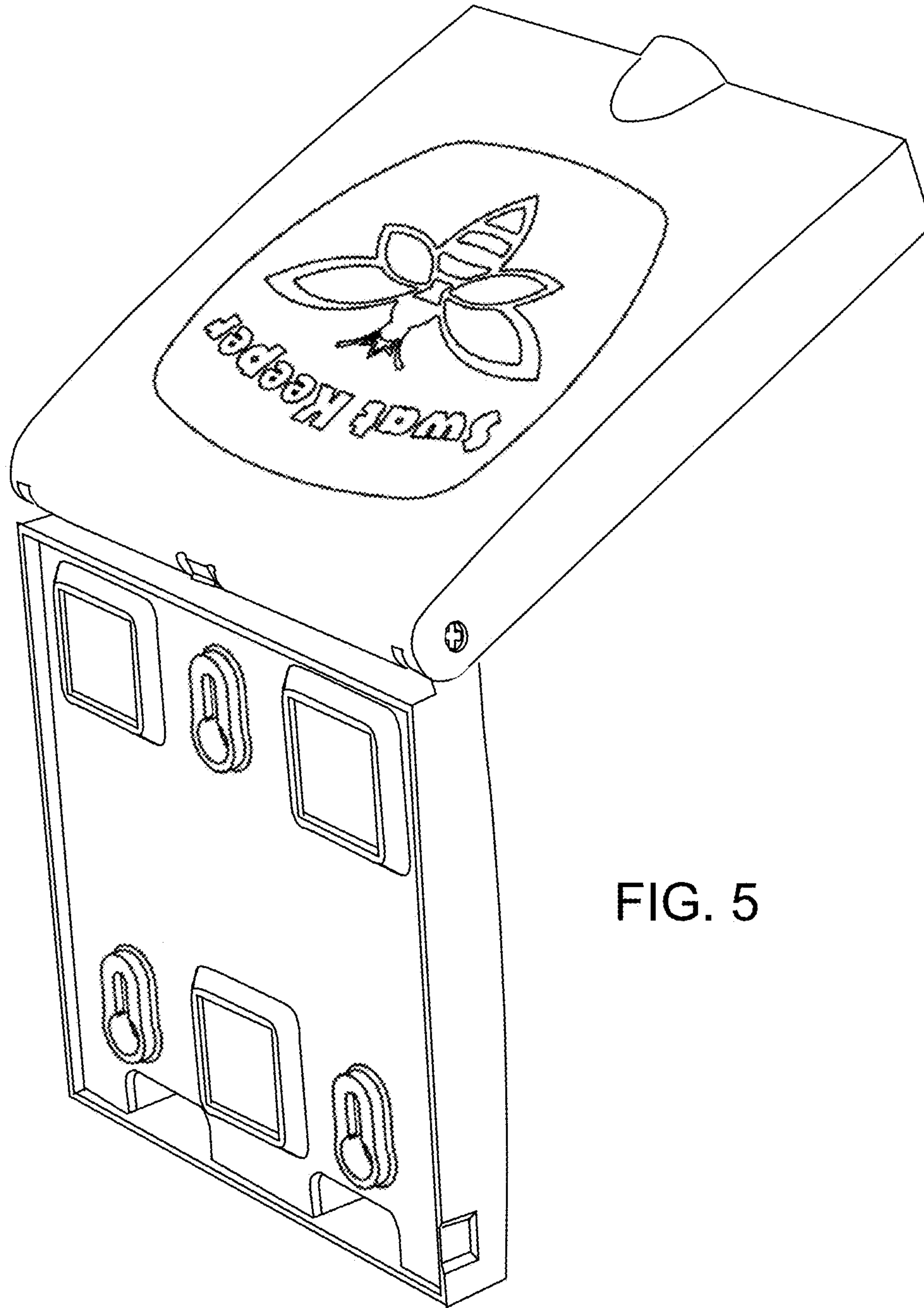


FIG. 5

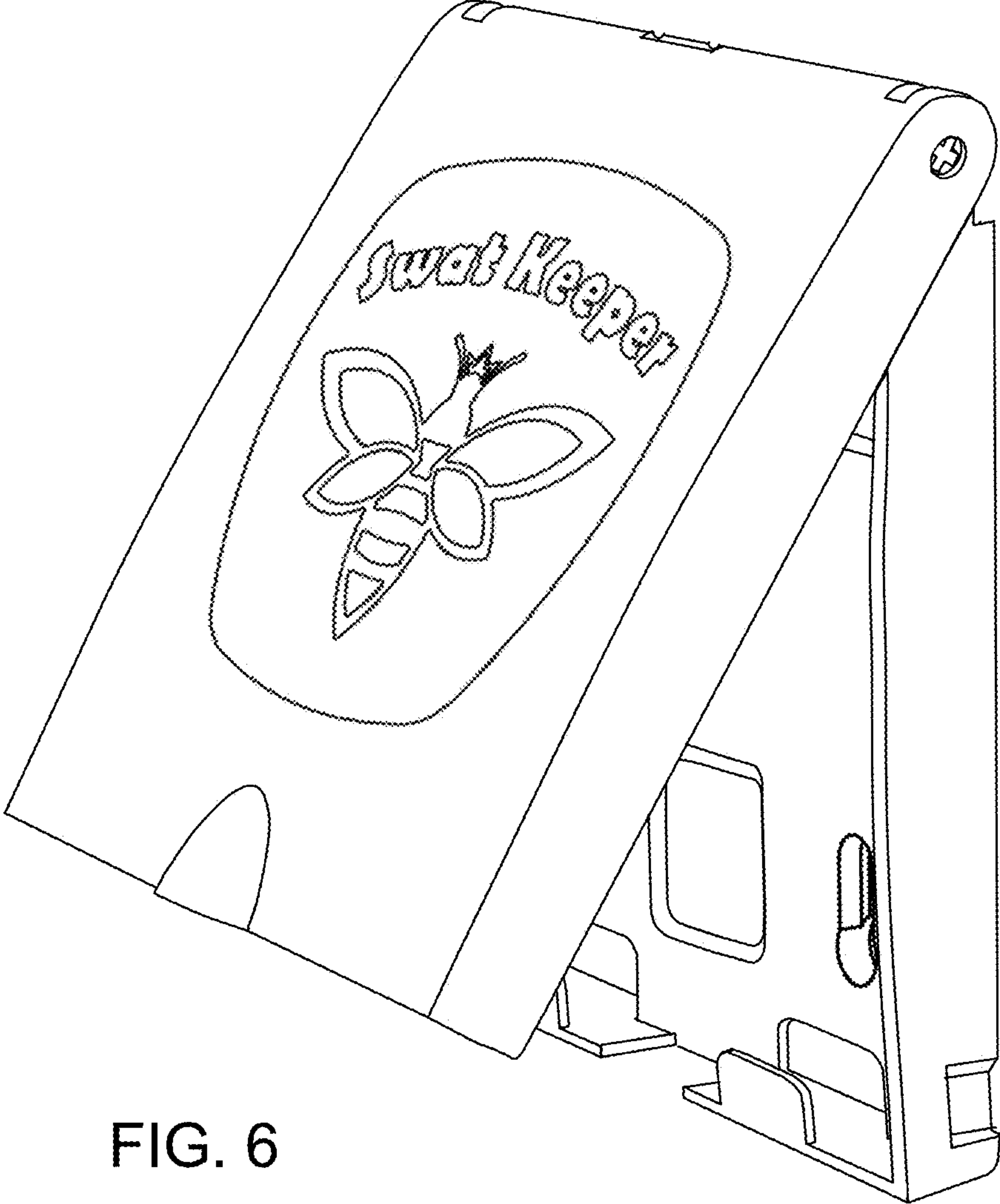


FIG. 6

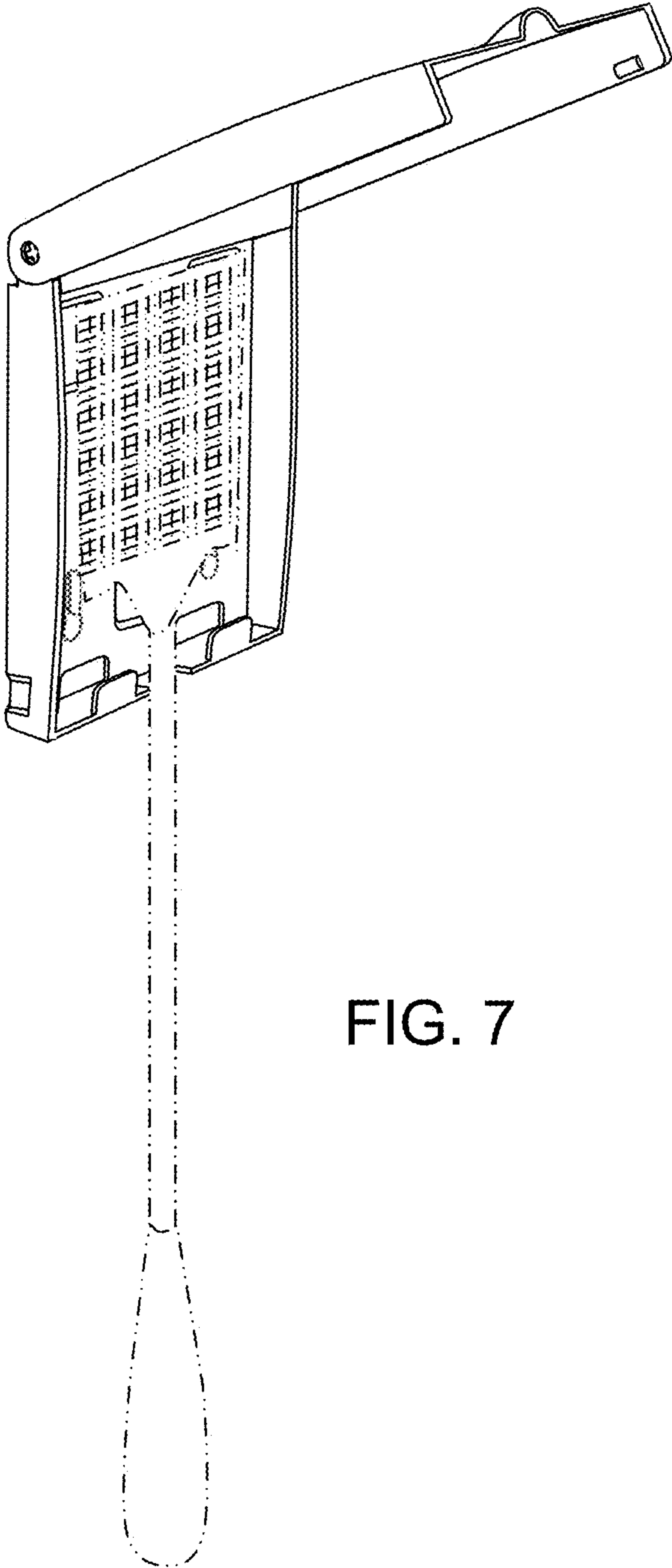


FIG. 7



FIG. 8