



US00D718529S

(12) **United States Design Patent**
Wang

(10) **Patent No.:** **US D718,529 S**
(45) **Date of Patent:** **** Dec. 2, 2014**

- (54) **STORAGE BAG WITH STRAP**
- (71) Applicant: **Wen-Tsan Wang**, Taipei (TW)
- (72) Inventor: **Wen-Tsan Wang**, Taipei (TW)
- (**) Term: **14 Years**
- (21) Appl. No.: **29/477,027**
- (22) Filed: **Dec. 19, 2013**
- (51) **LOC (10) Cl.** **03-01**
- (52) **U.S. Cl.**
USPC **D3/290; D3/299; D7/629; D7/607; D7/709**
- (58) **Field of Classification Search**
USPC D3/216, 217, 232, 231, 226, 225, 230, D3/290, 291, 299, 301, 276, 289, 243, 283, D3/274, 304, 307, 308, 309, 316; D7/605, D7/607, 705, 706, 113, 114, 629, 709; 383/13, 28, 30, 31; 224/600-657; 150/100, 103, 104, 105, 106, 107, 108, 150/109, 110, 18, 119; 190/117, 118, 119; D34/11; 62/457.2; 206/316.1, 316.2, 206/316.3
See application file for complete search history.

D411,419 S *	6/1999	Wyant	D7/709
D455,319 S *	4/2002	Thurlow	D7/613
D458,018 S *	6/2002	Mentken	D3/217
D507,698 S *	7/2005	Hooper	D3/217
D513,868 S *	1/2006	Warberg	D3/243
D598,647 S *	8/2009	Kertesz et al.	D3/232
D611,705 S *	3/2010	Romero et al.	D3/232
D630,015 S *	1/2011	Weng et al.	D3/276
D662,708 S *	7/2012	Maillet	D3/232
D680,386 S *	4/2013	Butters	D7/607
2002/0096122 A1 *	7/2002	Efrati et al.	119/168

* cited by examiner

Primary Examiner — Jennifer Rivard
Assistant Examiner — April Rivas
(74) *Attorney, Agent, or Firm* — Leong C. Lei

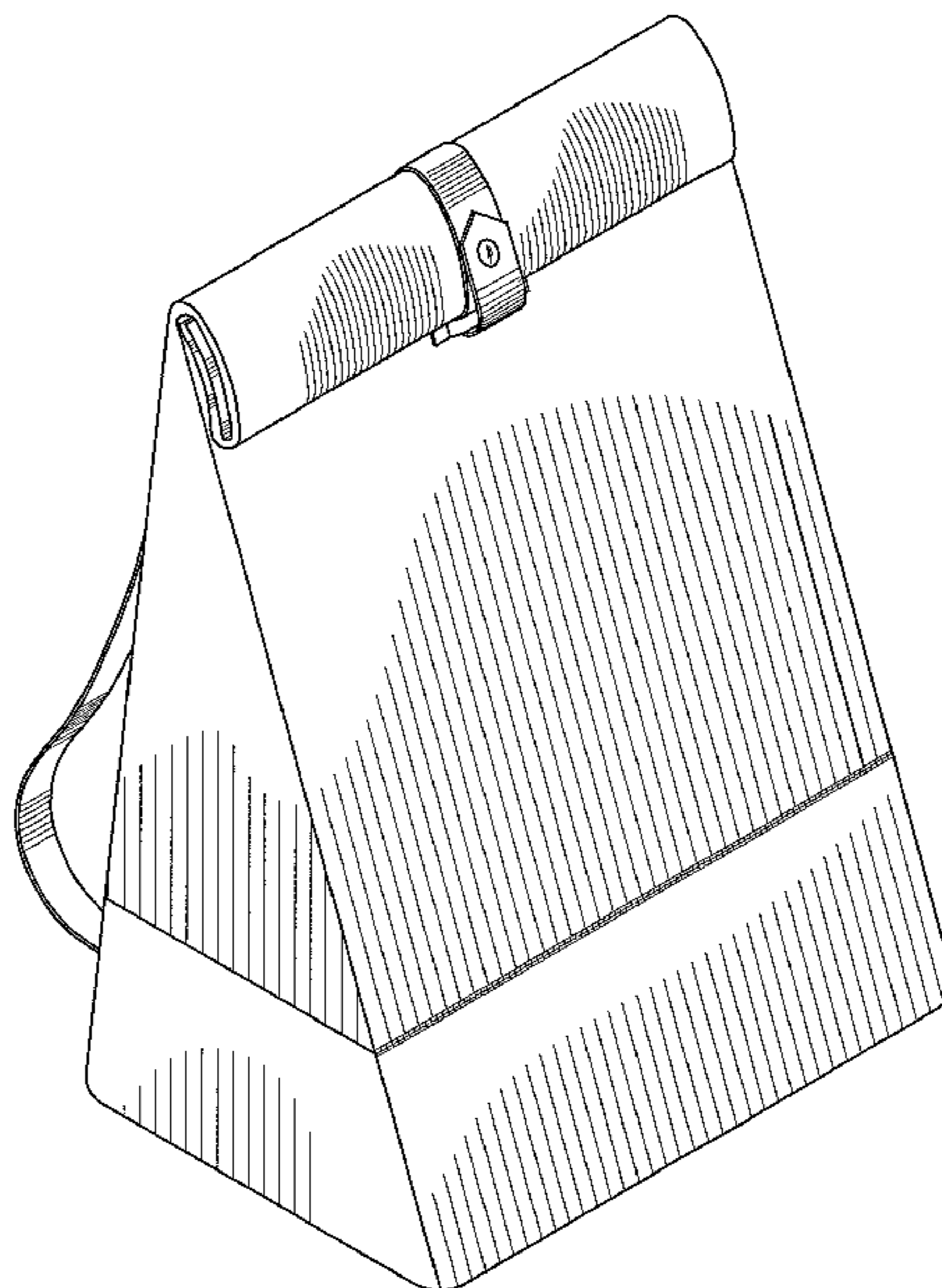
(57) **CLAIM**
The ornamental design for a storage bag with strap, as shown and described.

DESCRIPTION

FIG. 1 is a front perspective view of a storage bag with strap showing my new design;
FIG. 2 is a front elevational view thereof;
FIG. 3 is a rear elevational view thereof;
FIG. 4 is a left elevational view thereof;
FIG. 5 is a right elevational view thereof;
FIG. 6 is a top plan view thereof;
FIG. 7 is a bottom plan view thereof;
FIG. 8 is another perspective view thereof, with the top of the storage bag with strap shown in a partially open state; and,
FIG. 9 is another perspective view thereof, with the top of the storage bag with strap shown in a fully opened state.

1 Claim, 9 Drawing Sheets

- (56) **References Cited**
U.S. PATENT DOCUMENTS
3,147,673 A * 9/1964 Hilton 493/221
4,089,447 A * 5/1978 Achmeteli 224/644
4,988,216 A * 1/1991 Lyman 383/74
5,354,131 A * 10/1994 Mogil 383/24
D411,416 S * 6/1999 Freese et al. D7/607



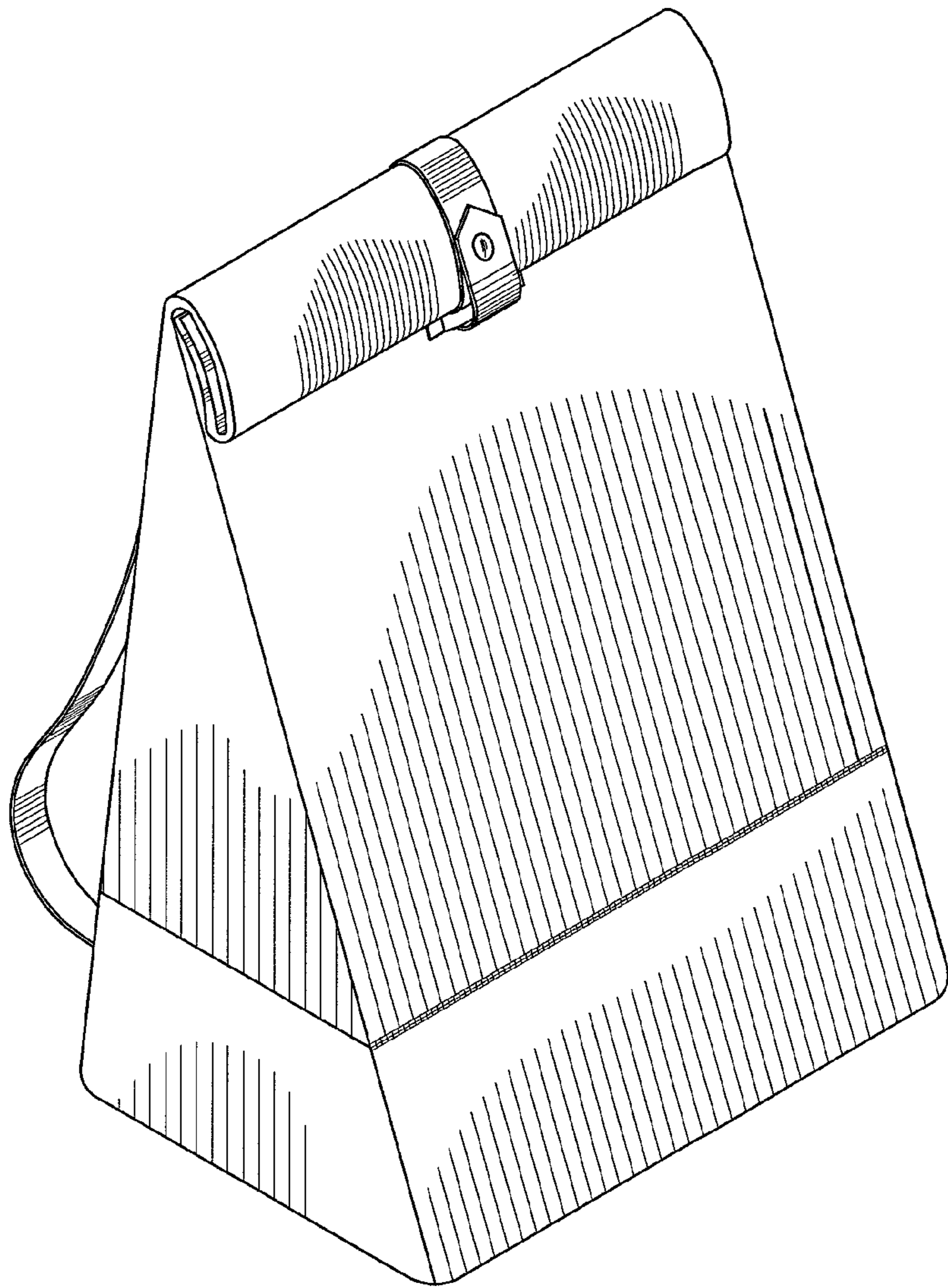


FIG. 1

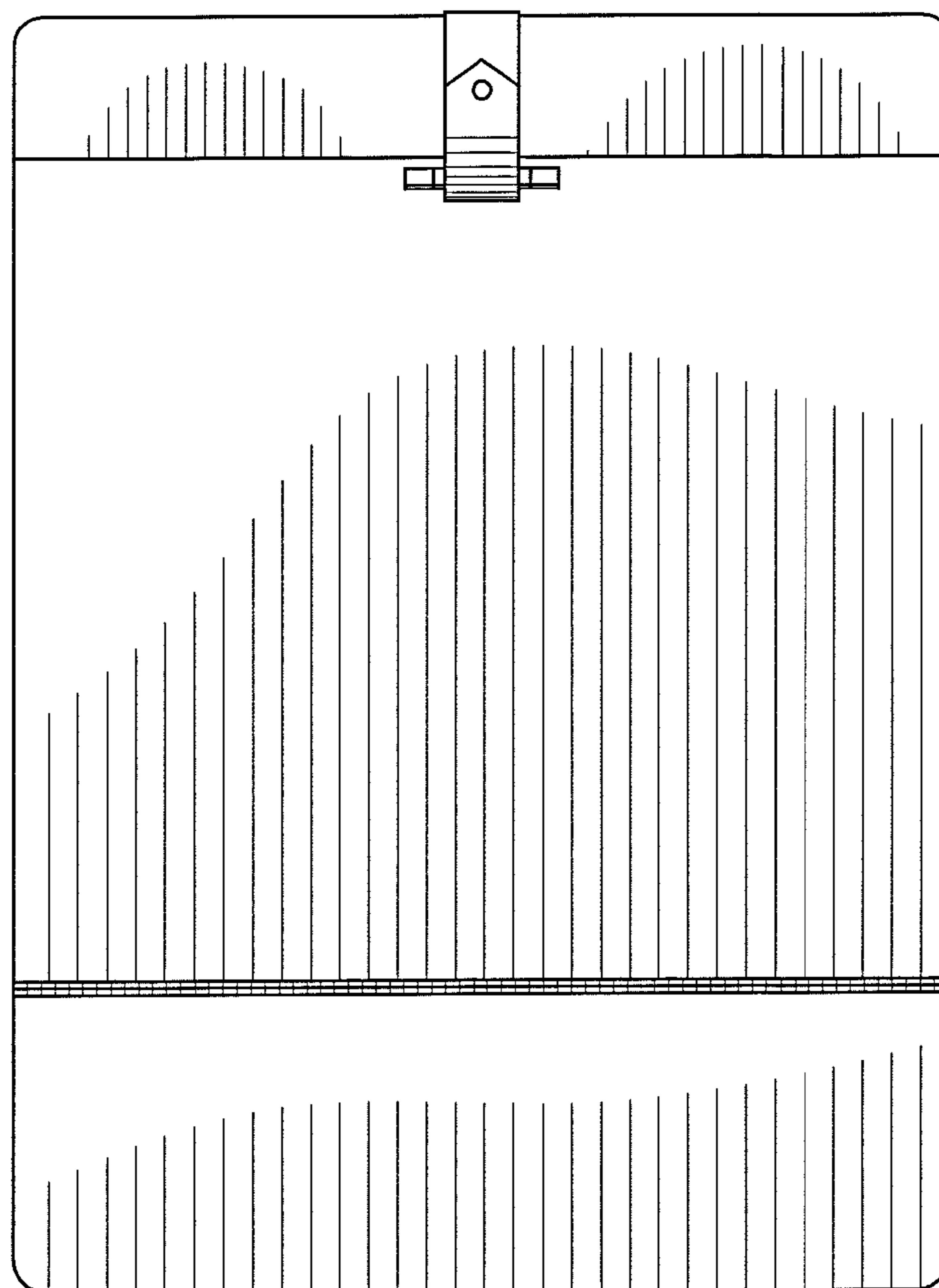


FIG. 2

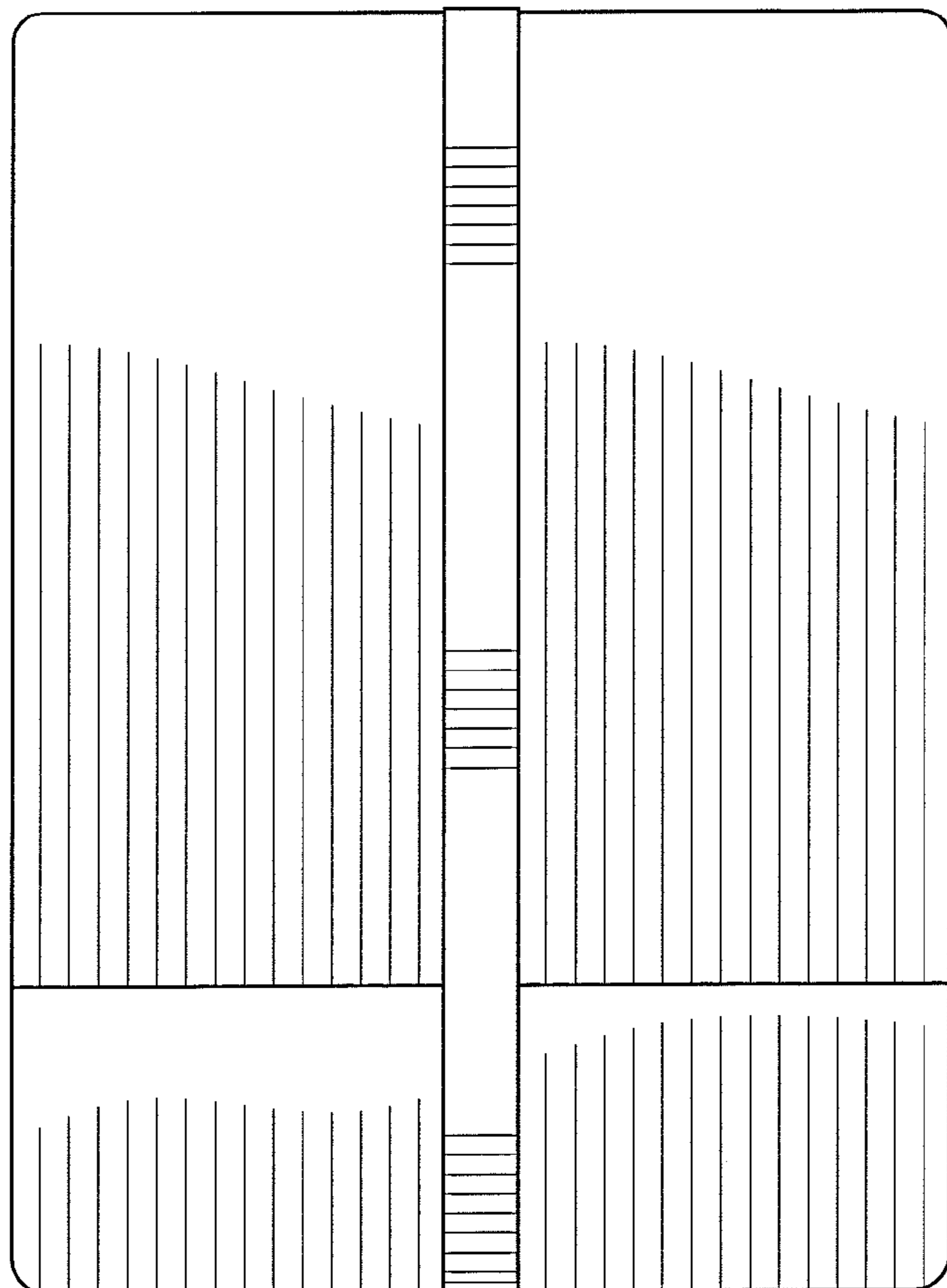


FIG. 3

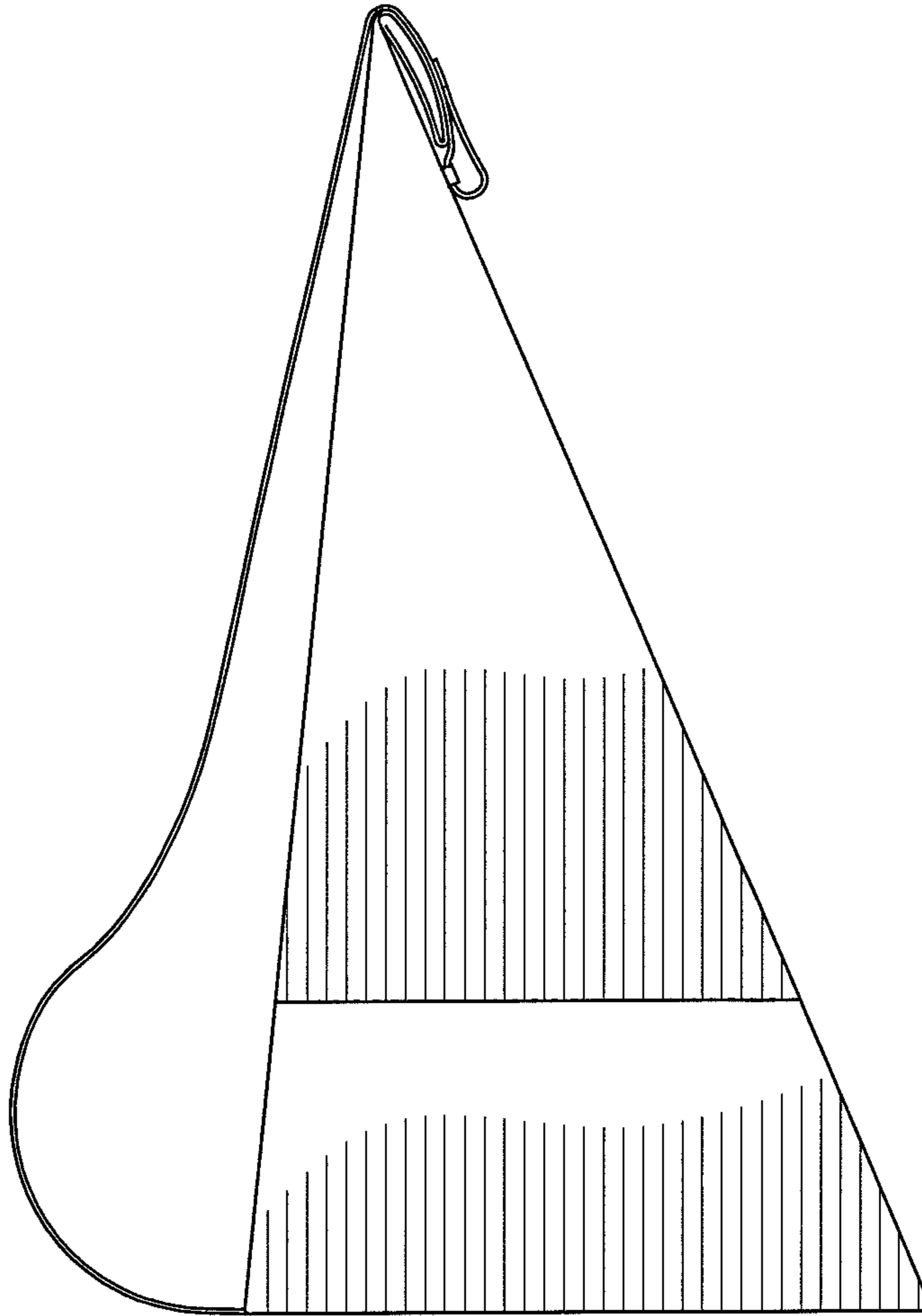


FIG. 4

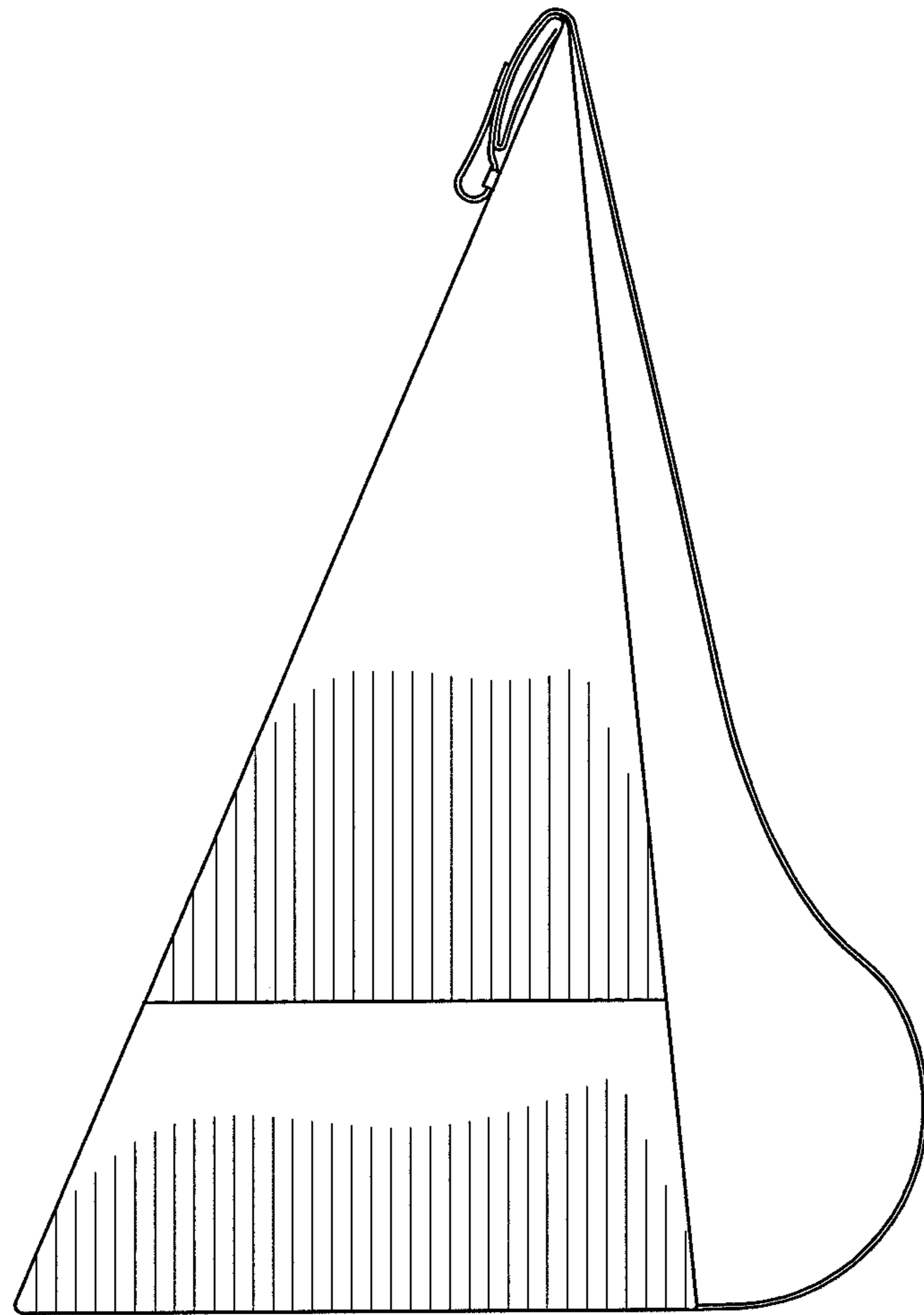


FIG. 5

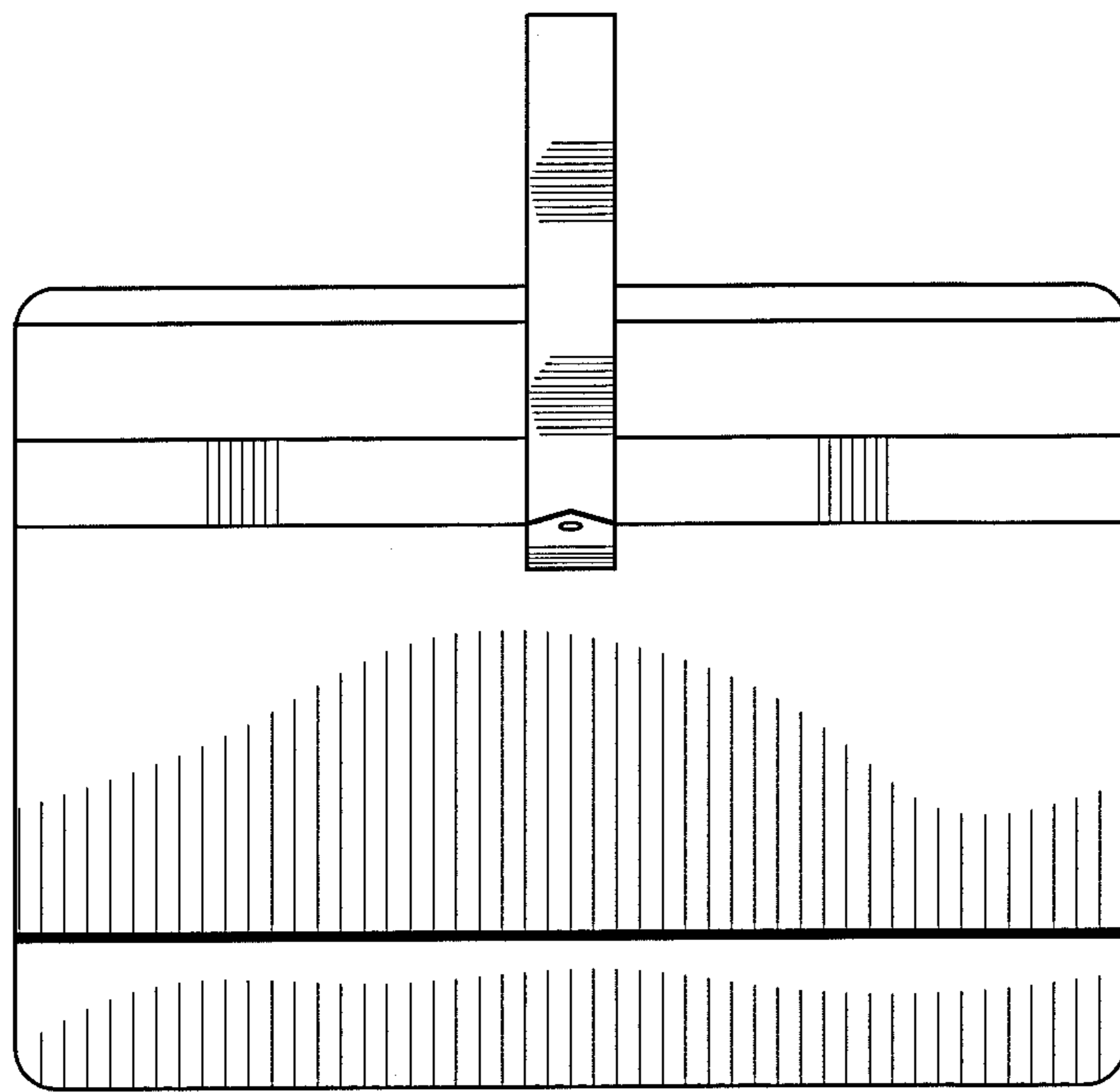


FIG. 6

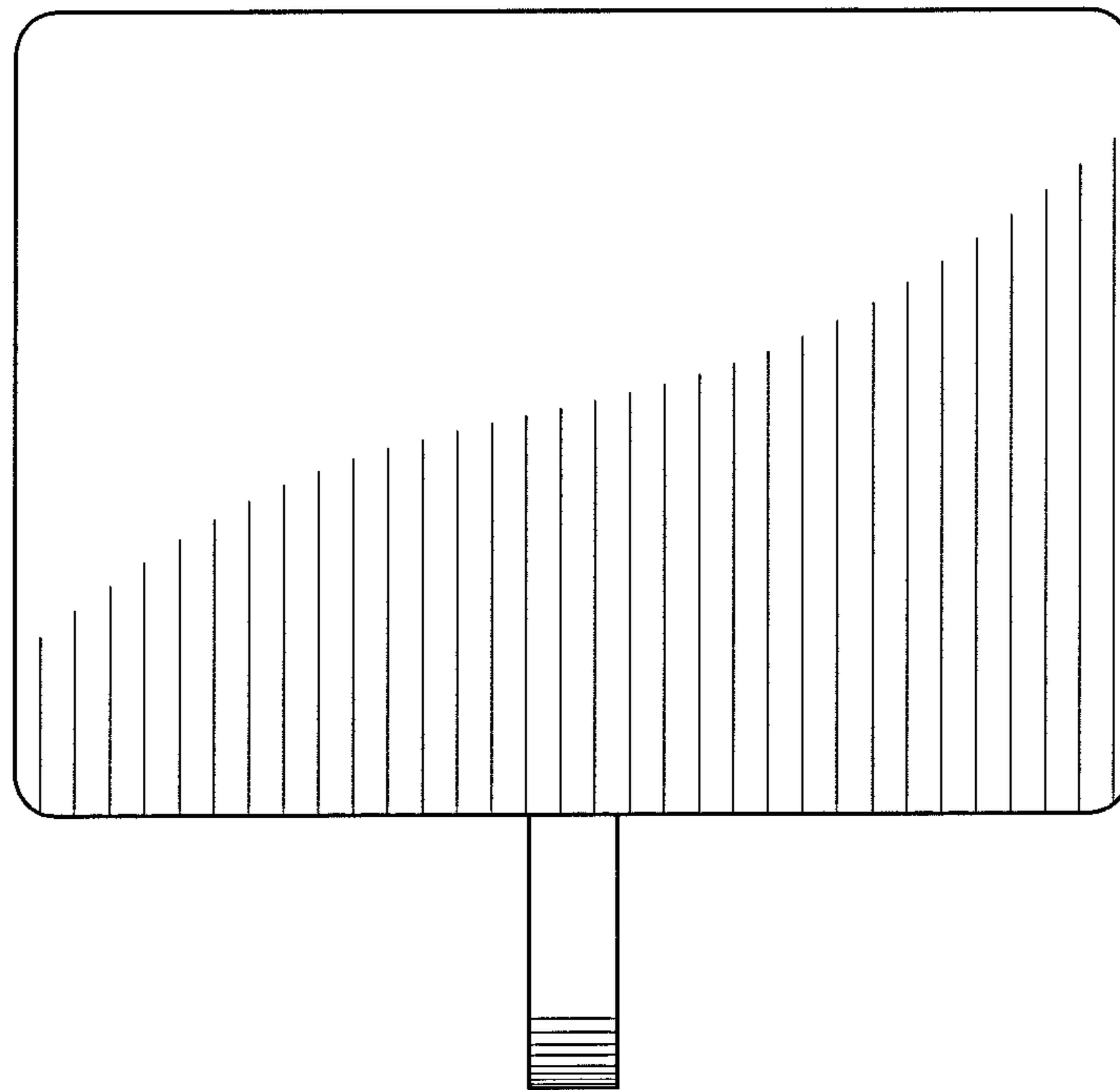


FIG. 7

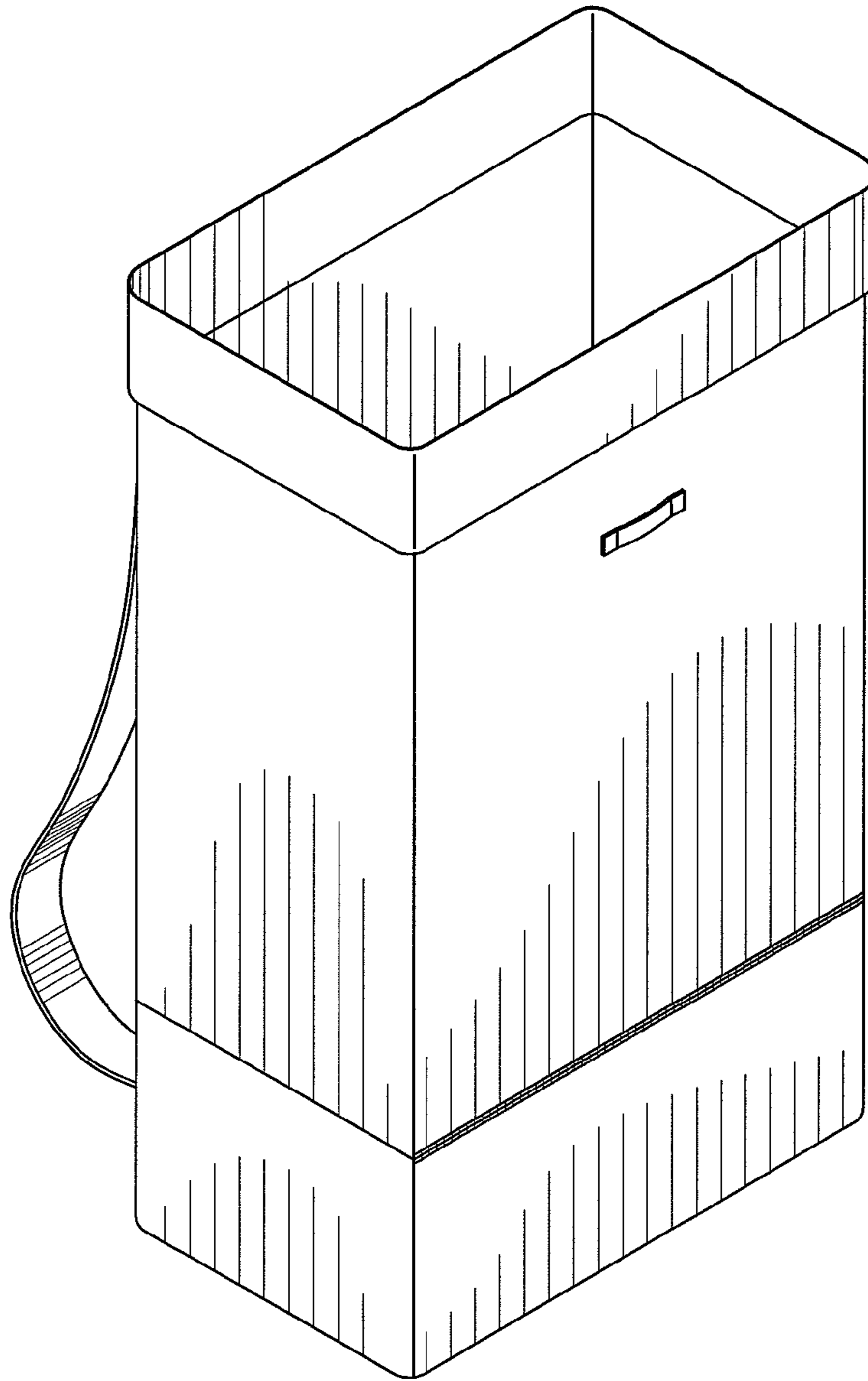


FIG. 8

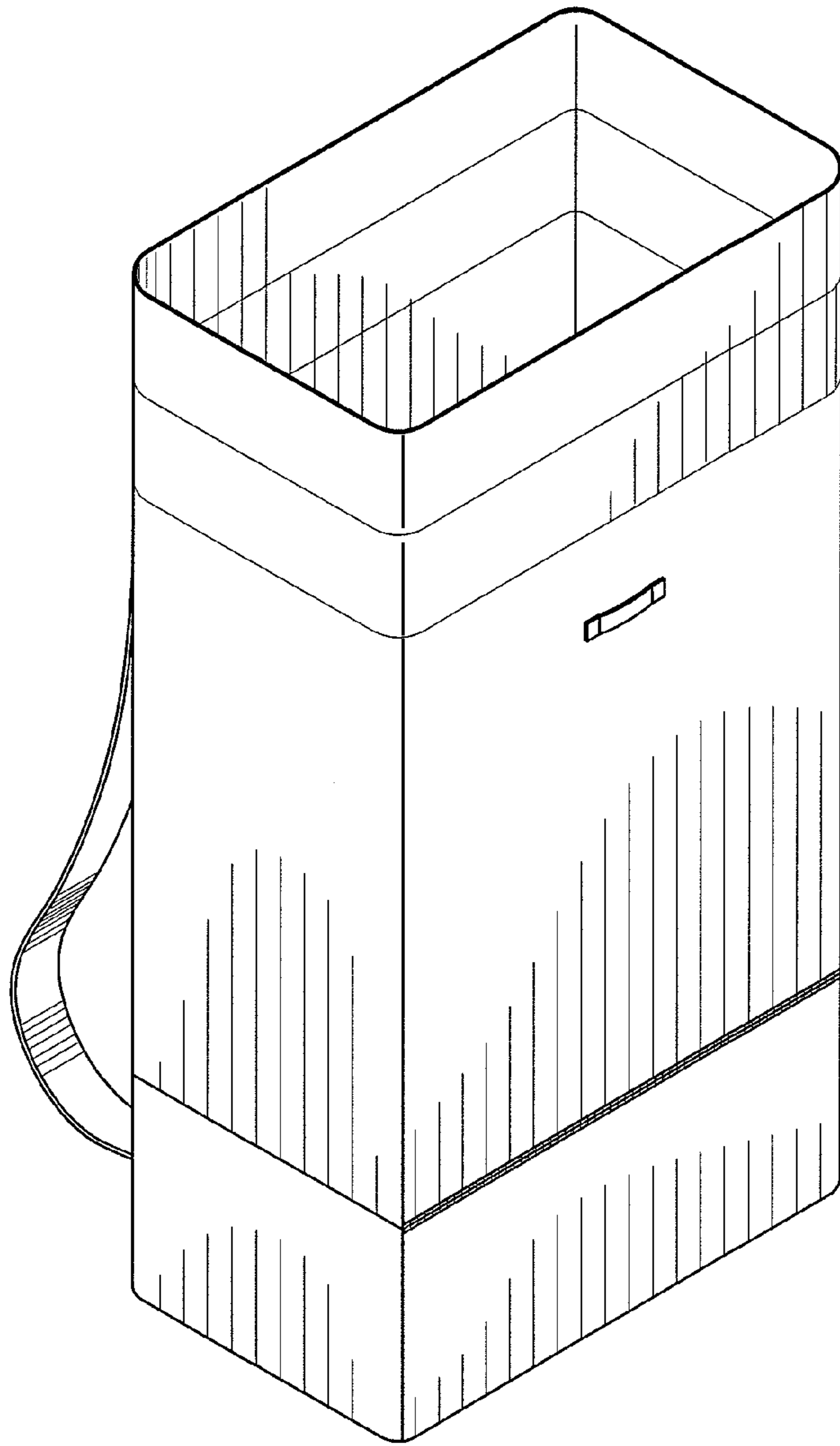


FIG. 9