



US00D718528S

(12) **United States Design Patent**
Garavaglia

(10) **Patent No.:** **US D718,528 S**
(45) **Date of Patent:** **** Dec. 2, 2014**

- (54) **CONTACT LENS CASE**
- (71) Applicant: **Maria Garavaglia**, Manchester, MO
(US)
- (72) Inventor: **Maria Garavaglia**, Manchester, MO
(US)
- (**) Term: **14 Years**
- (21) Appl. No.: **29/437,496**
- (22) Filed: **Nov. 16, 2012**
- (51) **LOC (10) Cl.** **03-01**
- (52) **U.S. Cl.**
USPC **D3/264**
- (58) **Field of Classification Search**
USPC D3/219, 252, 263, 264, 265; 206/5, 5.1,
206/6
See application file for complete search history.

D463,628	S	*	9/2002	Thorpe	D28/82
D468,058	S	*	12/2002	Thorpe	D28/82
D507,078	S	*	7/2005	Greenfield	D28/82
7,042,805	B1		5/2006	Kallman		
D524,989	S	*	7/2006	Lombardi	D28/82
D540,035	S		4/2007	Gerard		
7,331,449	B2	*	2/2008	Pinchassi Dar et al.	206/5.1
D578,711	S	*	10/2008	Burrow et al.	D28/82
D622,003	S	*	8/2010	Naughton et al.	D28/82
D626,289	S	*	10/2010	Lee	D28/82
D649,781	S	*	12/2011	Nathanson	D3/264
D660,590	S	*	5/2012	Seidel	D3/264
D697,674	S	*	1/2014	You	D28/82
2005/0133382	A1		6/2005	Gerard et al.		
2005/0258053	A1		11/2005	Sieg		
2007/0206377	A1		9/2007	Borup		
2008/0179200	A1	*	7/2008	O'Hara et al.	206/5.1
2010/0294675	A1	*	11/2010	Mangano	206/5

* cited by examiner

Primary Examiner — T. Chase Nelson
(74) *Attorney, Agent, or Firm* — CreatiVenture Law; Linda L Lewis

(56) **References Cited**
U.S. PATENT DOCUMENTS

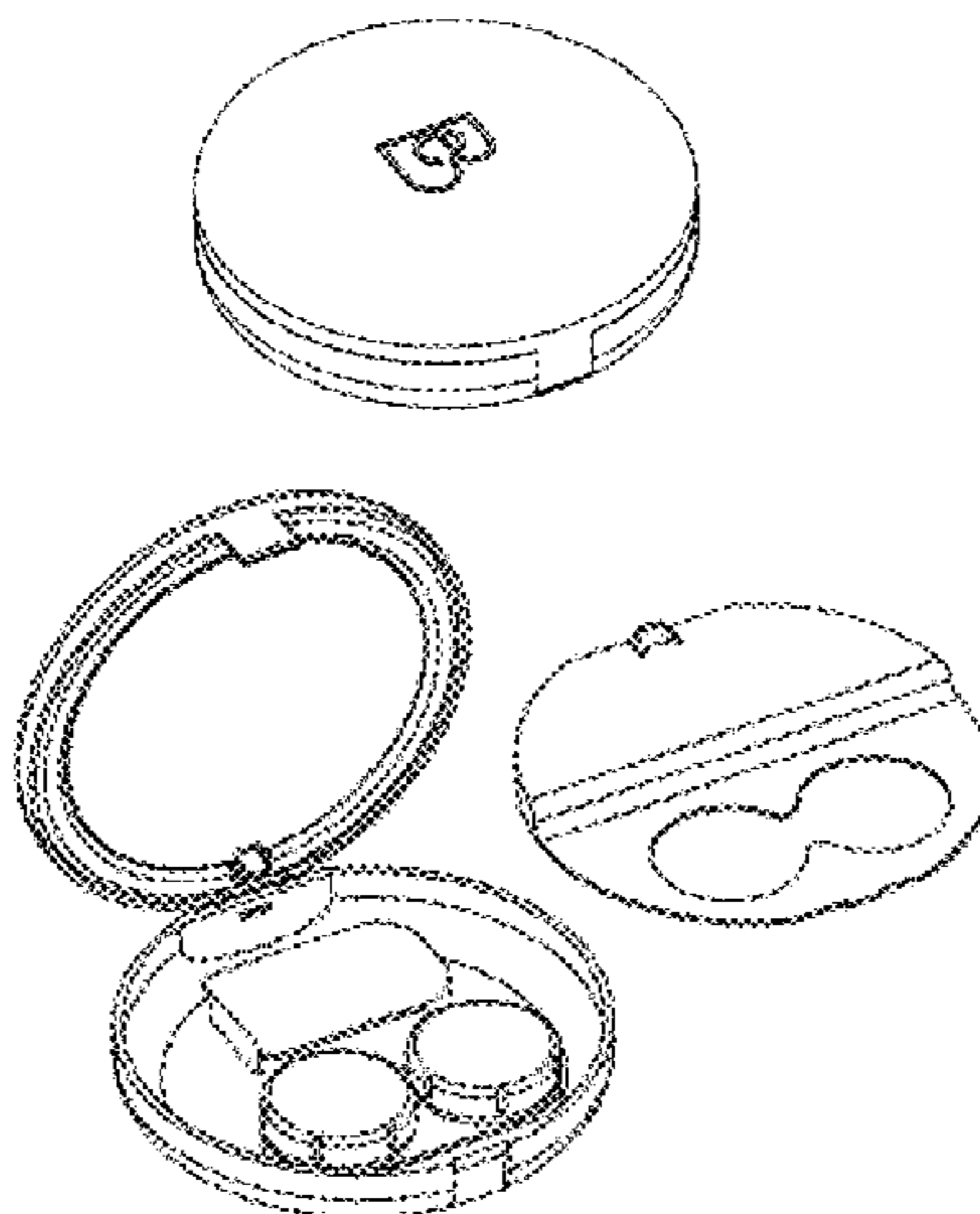
2,877,779	A		3/1959	Bromberg		
D208,166	S		7/1967	Hueber et al.		
D212,649	S		11/1968	Kolbeck		
3,460,552	A		8/1969	Sturgeon		
3,536,082	A		10/1970	Kolbeck		
D226,787	S	*	4/1973	Wadla	D24/217
3,955,726	A		5/1976	Reitzel		
4,328,890	A		5/1982	Thomas et al.		
4,337,858	A	*	7/1982	Thomas et al.	206/5.1
D267,652	S	*	1/1983	Thomas et al.	D3/263
4,545,479	A		10/1985	Figari		
4,574,944	A		3/1986	Gregory		
4,784,258	A		11/1988	Figari		
4,823,944	A		4/1989	Ryder		
5,131,532	A	*	7/1992	Ives	206/5.1
D342,808	S	*	12/1993	Bakic	D28/82
5,375,699	A		12/1994	Amend		
D408,591	S	*	4/1999	Litton et al.	D28/82
D431,720	S	*	10/2000	Fortune	D3/264
D438,002	S	*	2/2001	Lin	D3/265
D460,218	S	*	7/2002	Thorpe	D28/82

(57) **CLAIM**
The ornamental design for a contact lens case, as shown and described.

DESCRIPTION

FIG. 1 is a top plan view of a closed contact lens case showing my new design;
FIG. 2 is bottom rear perspective view thereof;
FIG. 3 is a top front perspective view thereof;
FIG. 4 is a front elevation thereof;
FIG. 5 is a left side view thereof;
FIG. 6 is a rear elevation thereof;
FIG. 7 is a left side perspective top view of the contact lens case in the opened position;
FIG. 8 is a right side perspective bottom view thereof; and
FIG. 9 is a front perspective top view thereof; and,
FIG. 10 is front perspective top view thereof with the cover removed.

1 Claim, 8 Drawing Sheets



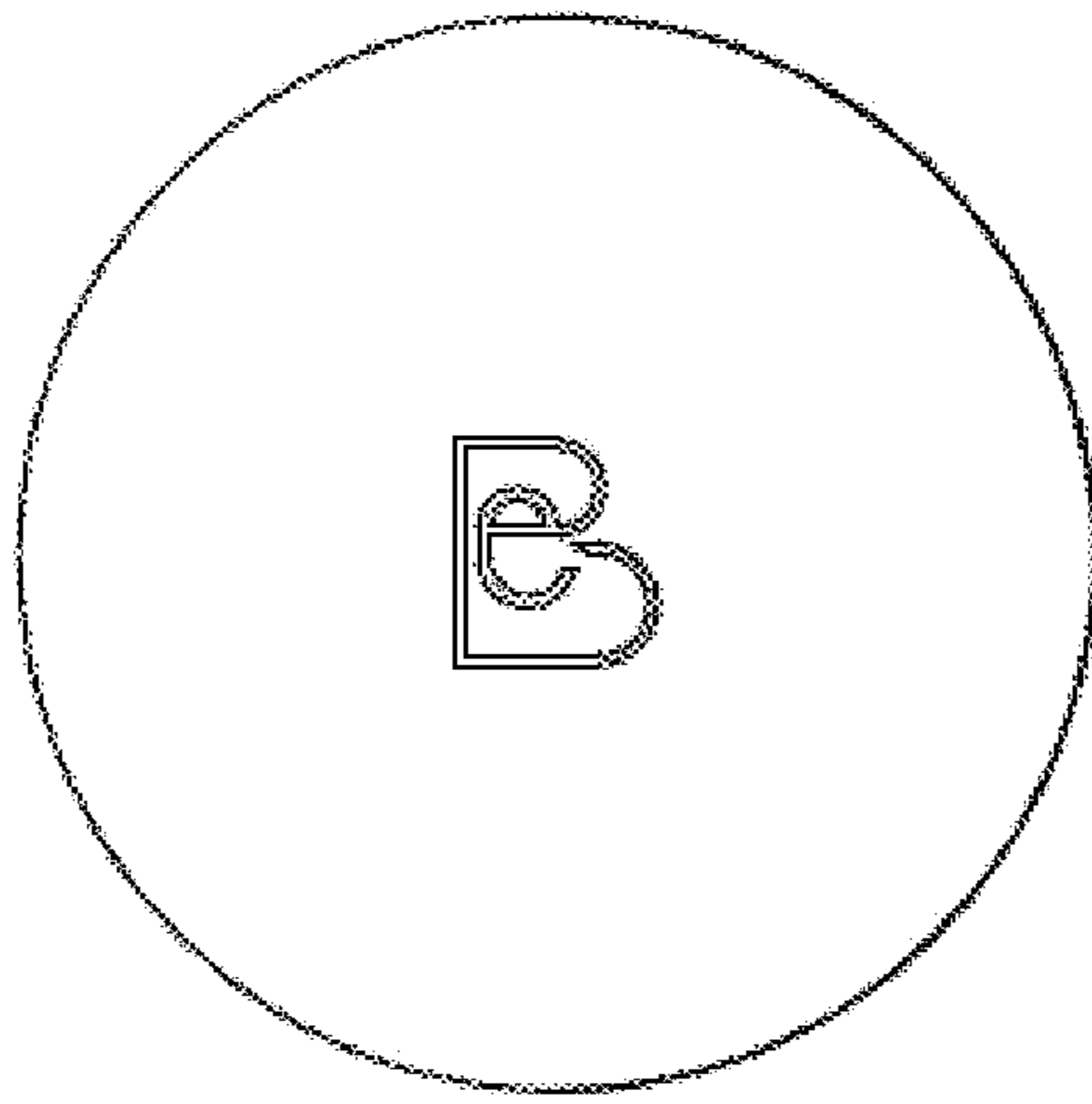


Fig. 1

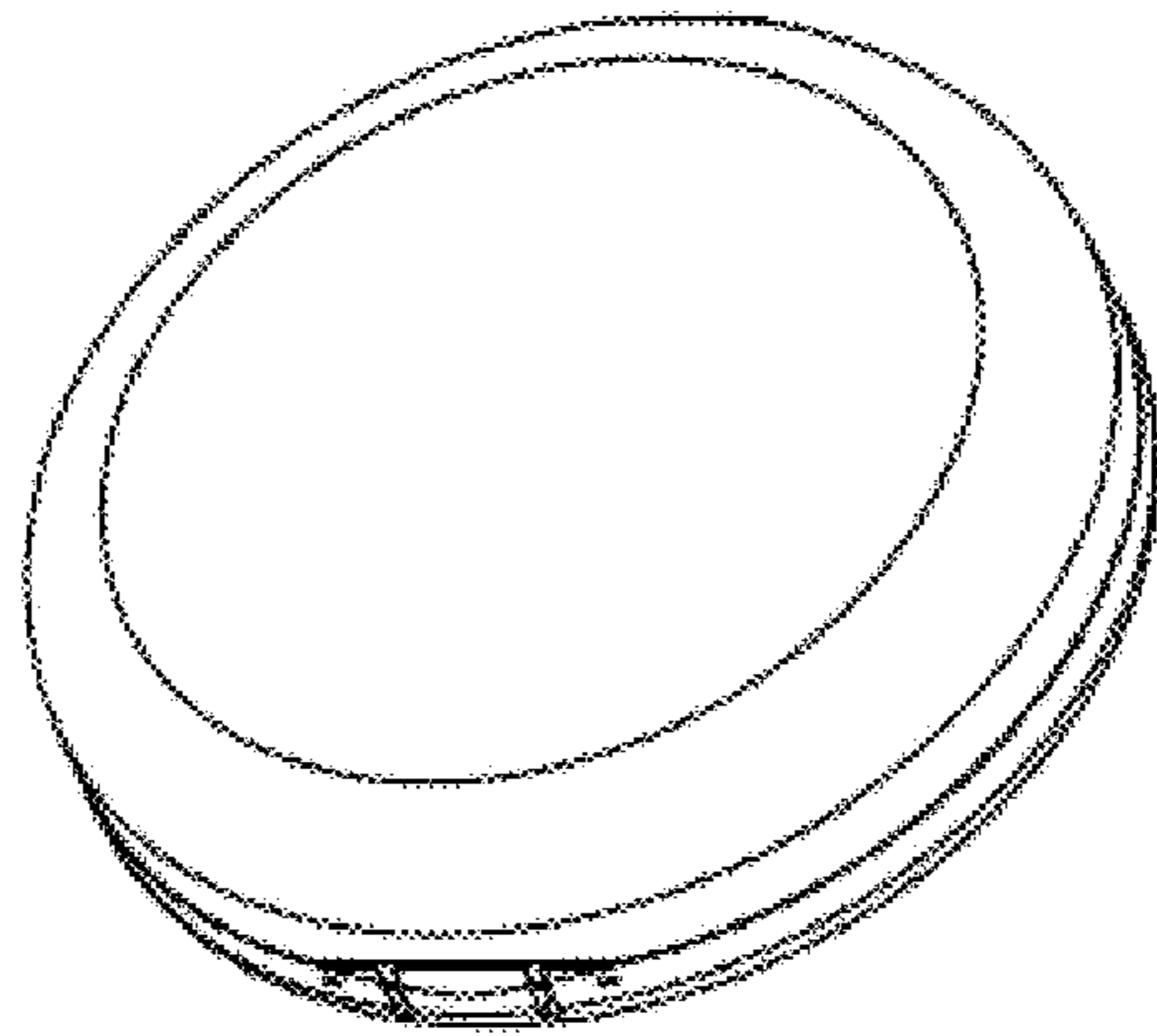


Fig. 2

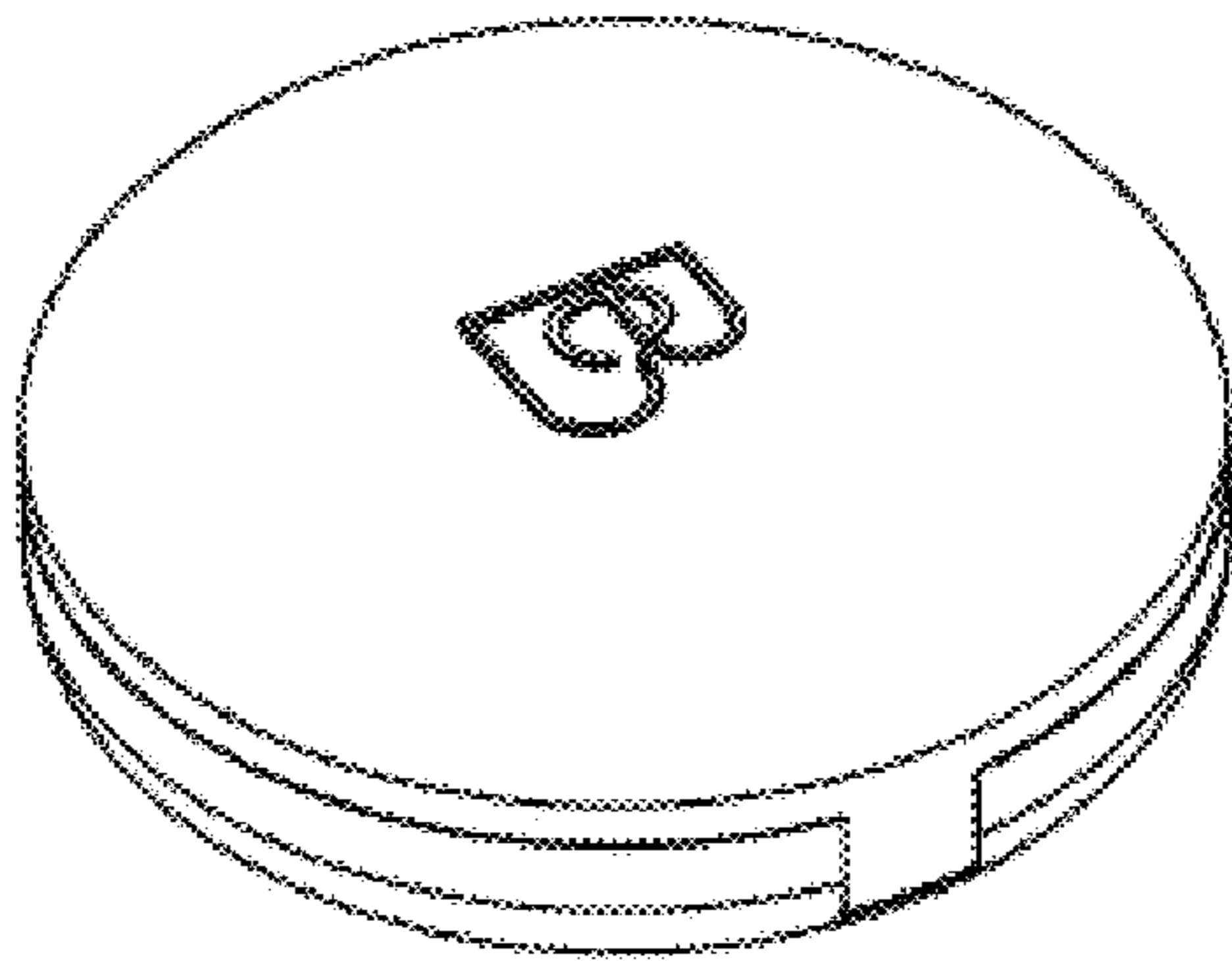


Fig. 3

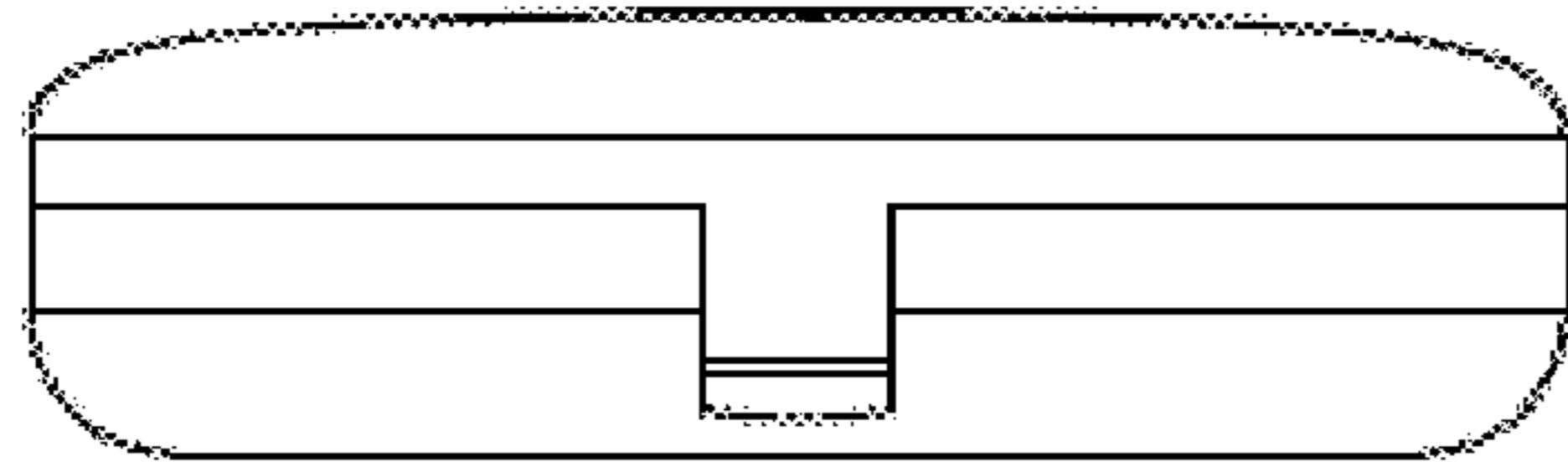


Fig. 4

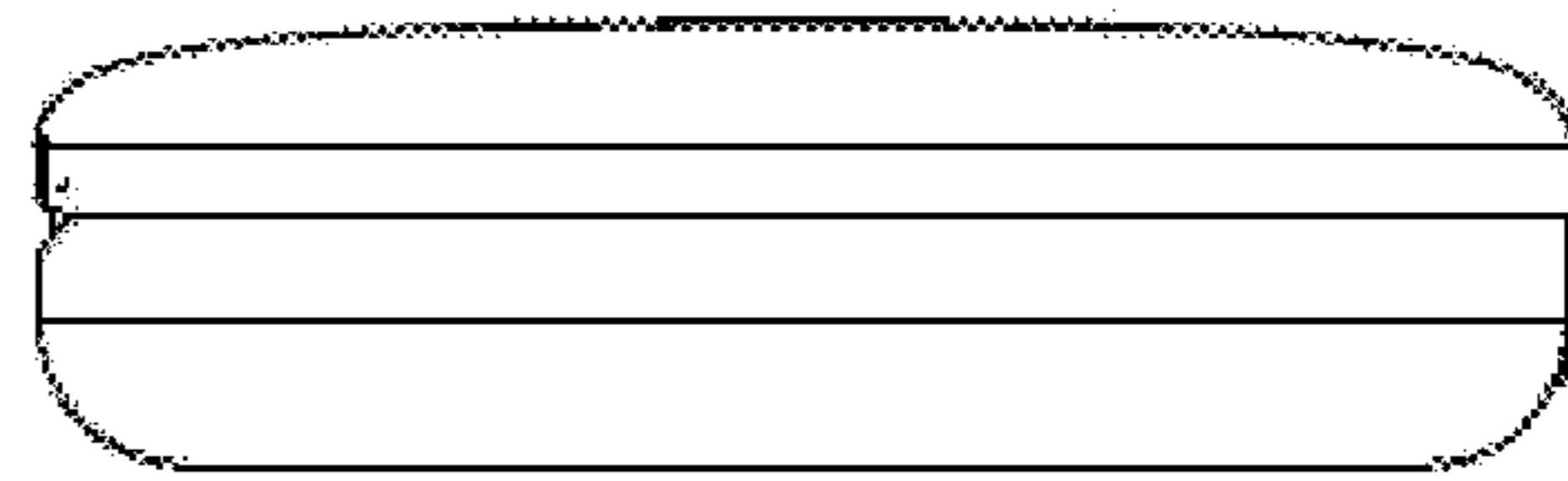


Fig. 5

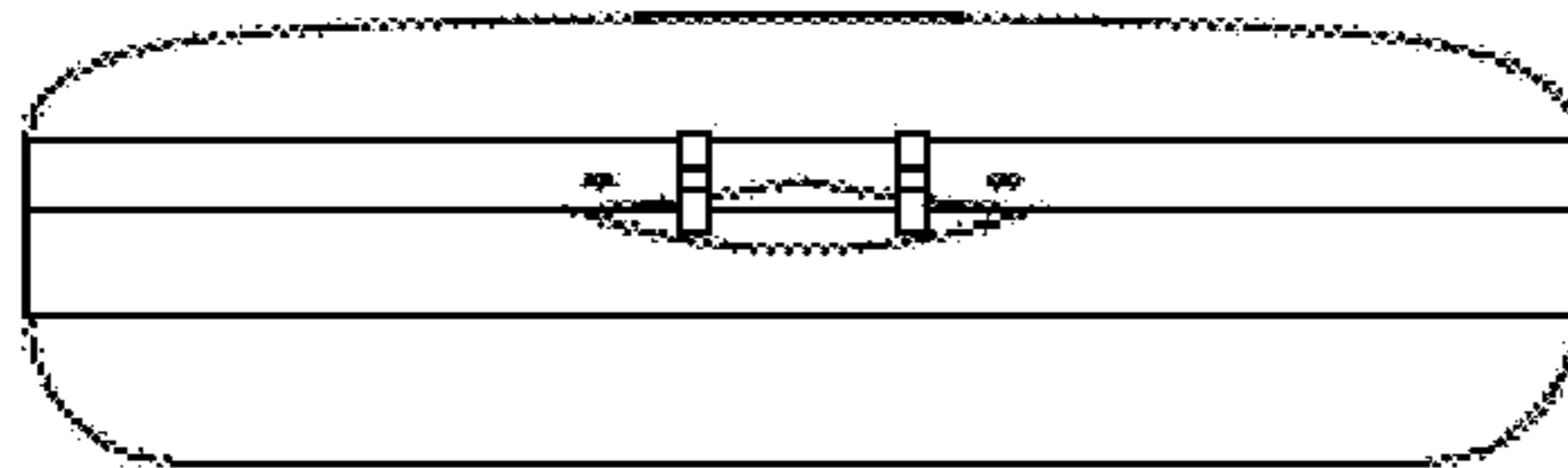


Fig. 6

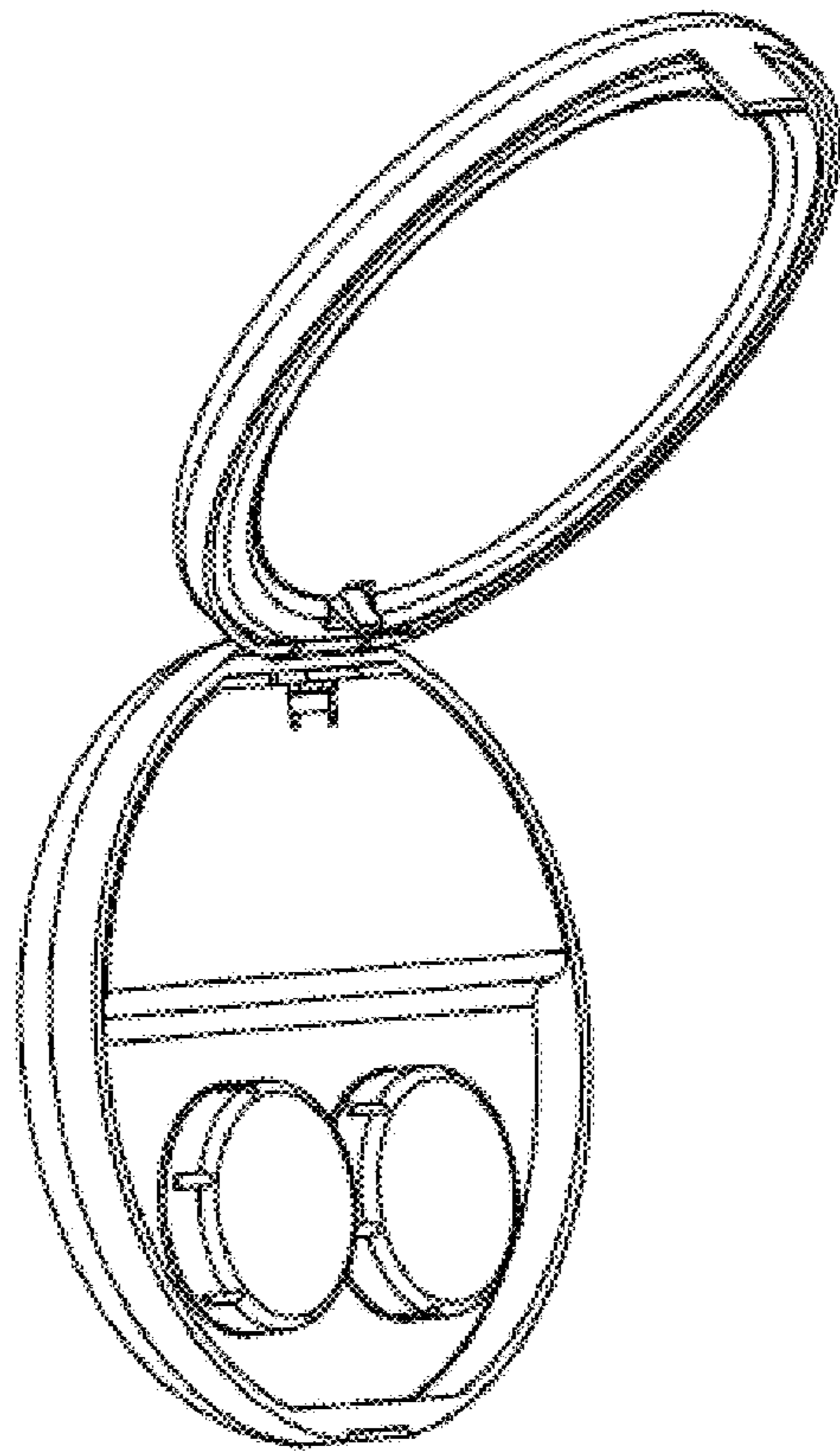


Fig. 7

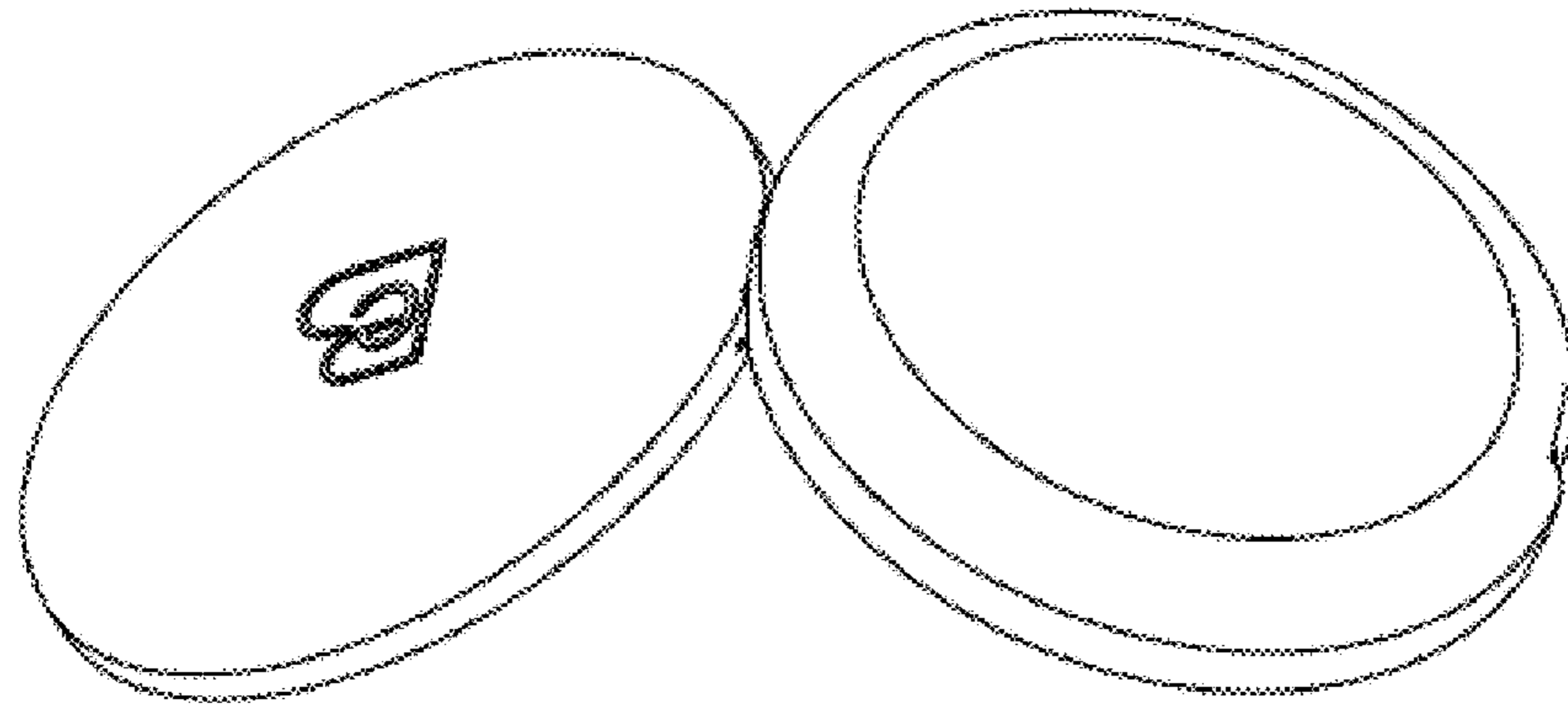


Fig. 8

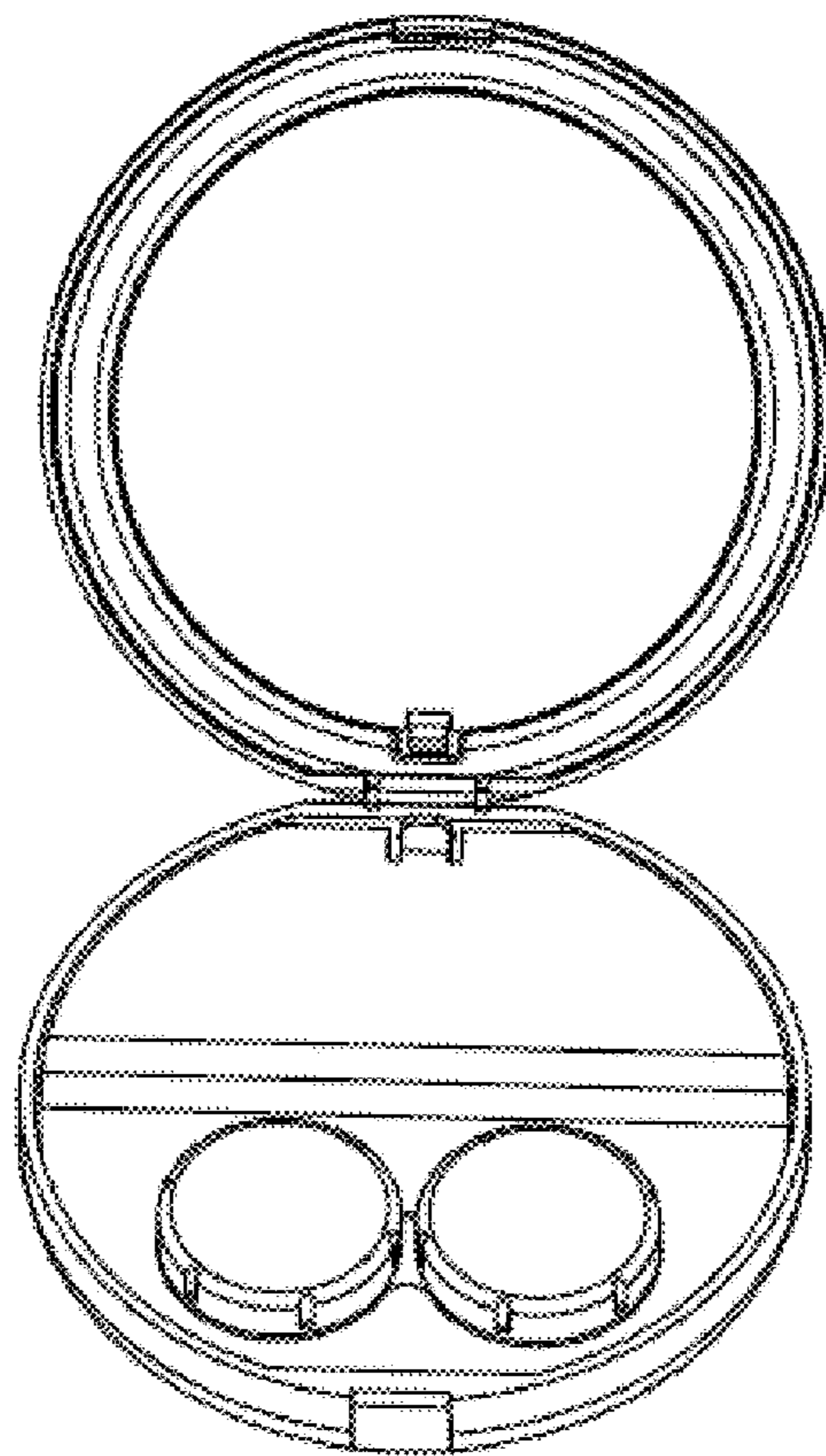


Fig. 9

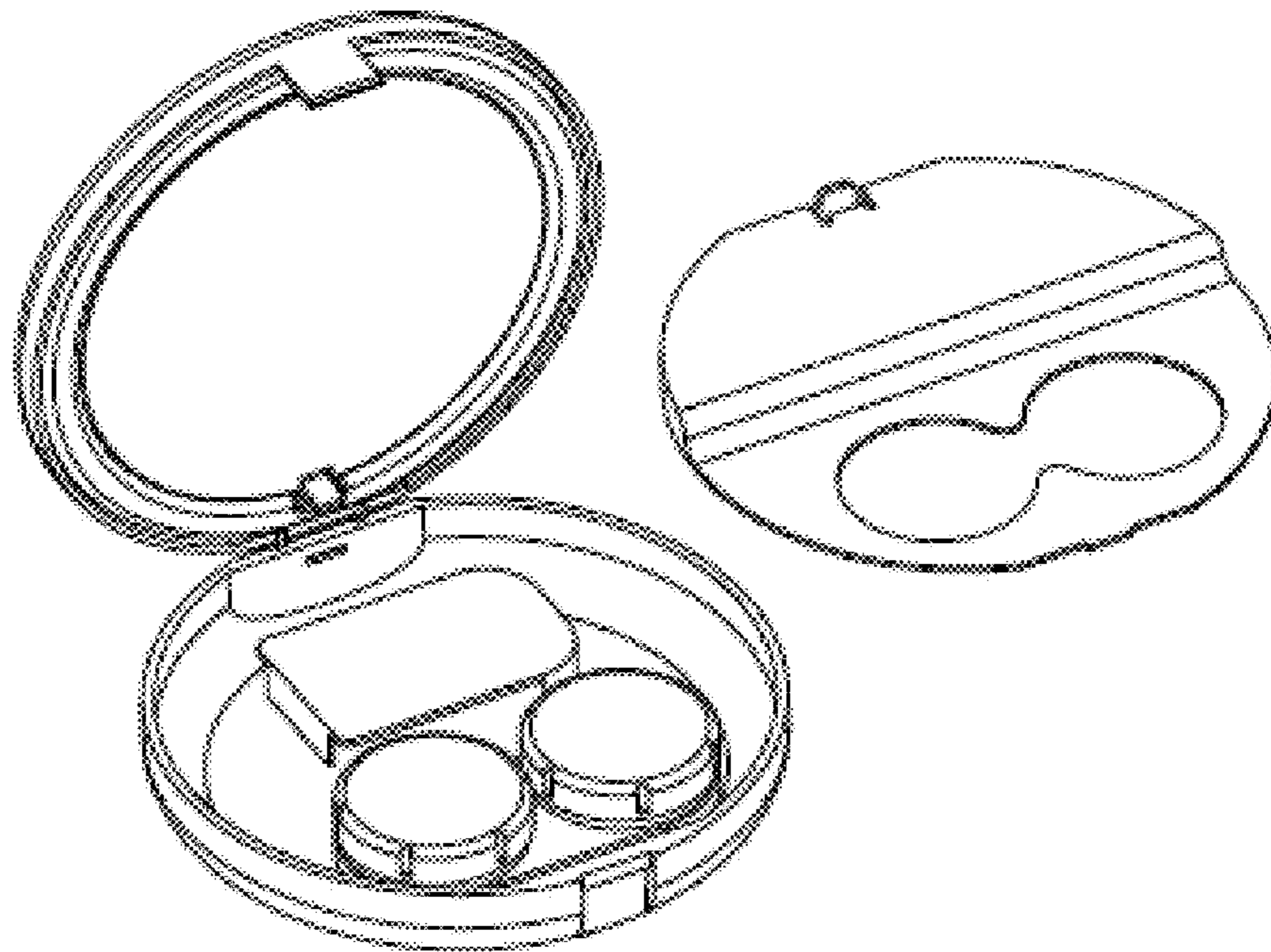


Fig. 10