



US00D718527S

(12) **United States Design Patent**
Enes

(10) **Patent No.:** **US D718,527 S**
(45) **Date of Patent:** **** Dec. 2, 2014**

- (54) **WHEELED TRAVEL CASE**
- (71) Applicant: **Eric W. Reimers**, Missoula, MT (US)
- (72) Inventor: **Seth McKindra Enes**, Missoula, MT (US)
- (73) Assignee: **Eric W. Reimers**, Missoula, MT (US)
- (**) Term: **14 Years**
- (21) Appl. No.: **29/477,162**
- (22) Filed: **Dec. 19, 2013**
- (51) **LOC (10) Cl.** **03-01**
- (52) **U.S. Cl.**
USPC **D3/261**
- (58) **Field of Classification Search**
CPC A63B 55/08; A63B 55/004; B62B 2202/404; B62B 1/045
USPC D3/261, 216, 221, 904, 315, 254, 255; 206/315.2-315.8; 224/328, 917; 280/814; D12/413
See application file for complete search history.

D497,480	S	10/2004	Drew et al.
6,869,086	B2	3/2005	Sadow
D511,043	S	11/2005	Herold
7,014,020	B2	3/2006	Tamura
7,188,714	B1	3/2007	Herold
7,219,902	B1	5/2007	Herold
7,222,733	B2 *	5/2007	Kim 206/315.3
D570,601	S	6/2008	Drew et al.
D587,903	S	3/2009	Sherrell et al.
D587,904	S	3/2009	Sherrell et al.
7,644,810	B2 *	1/2010	Duncan 190/8
7,921,995	B2 *	4/2011	Kuo 206/315.7
8,033,369	B2 *	10/2011	Sherrell et al. 190/18 A
2004/0216970	A1	11/2004	Sherrell et al.
2006/0237108	A1	10/2006	Herold
2009/0008204	A1 *	1/2009	Yen 190/18 A
2009/0188820	A1 *	7/2009	McGrail et al. 206/315.4

* cited by examiner

Primary Examiner — Deanna L Pratt

Assistant Examiner — Lilyana Bekic

(74) *Attorney, Agent, or Firm* — David J. Dawsey; Michael J. Gallagher; Gallagher & Dawsey Co., LPA

(57) **CLAIM**

I claim the ornamental design for a wheeled travel case, as shown and described.

DESCRIPTION

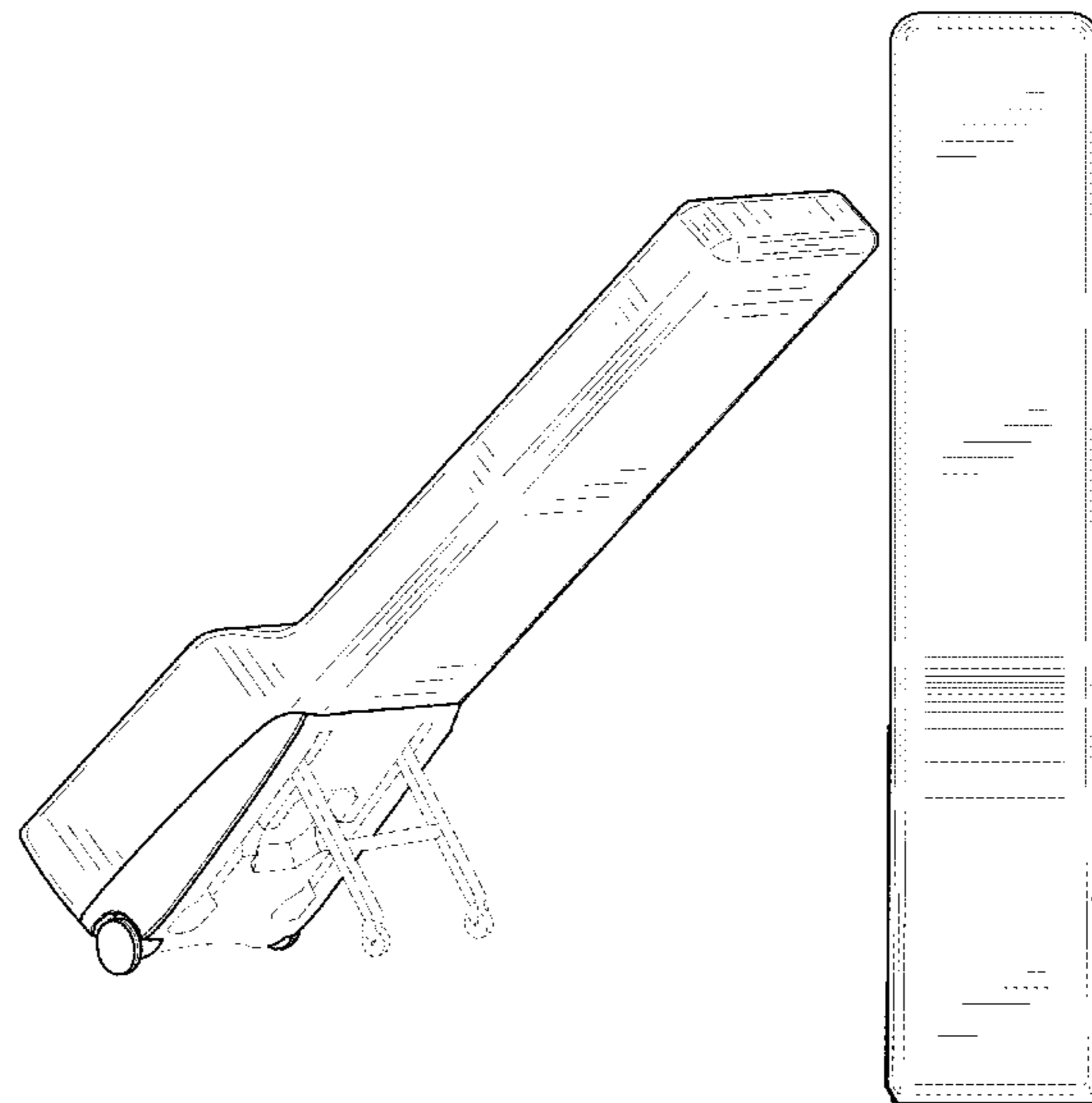
FIG. 1 is an isometric view of a wheeled travel case showing the new design;
 FIG. 2 is a top plan view thereof;
 FIG. 3 is a bottom plan view thereof;
 FIG. 4 is a left side elevation view thereof;
 FIG. 5 is a right side elevation view thereof;
 FIG. 6 is a front elevation view thereof; and,
 FIG. 7 is a rear elevation view thereof.
 The broken lines in the drawings illustrate portions of the wheeled travel case which form no part of the claimed design.

1 Claim, 4 Drawing Sheets

(56) **References Cited**

U.S. PATENT DOCUMENTS

4,358,137	A *	11/1982	Gramm 280/814
D370,997	S	6/1996	Hsieh
5,568,848	A	10/1996	Liang
D379,016	S	4/1997	Wilson
D394,950	S *	6/1998	Kite D3/255
6,161,698	A *	12/2000	Bradshaw et al. 206/527
6,164,425	A *	12/2000	Latshaw 190/18 A
D438,011	S	2/2001	Shick
6,182,981	B1	2/2001	Kuo
6,315,115	B1 *	11/2001	Bradshaw et al. 206/315.4
6,557,702	B1 *	5/2003	Sanderson et al. 206/315.4
6,607,076	B1 *	8/2003	Smith 206/315.6
D487,543	S	3/2004	Chang
6,763,940	B1 *	7/2004	Lai 206/315.1



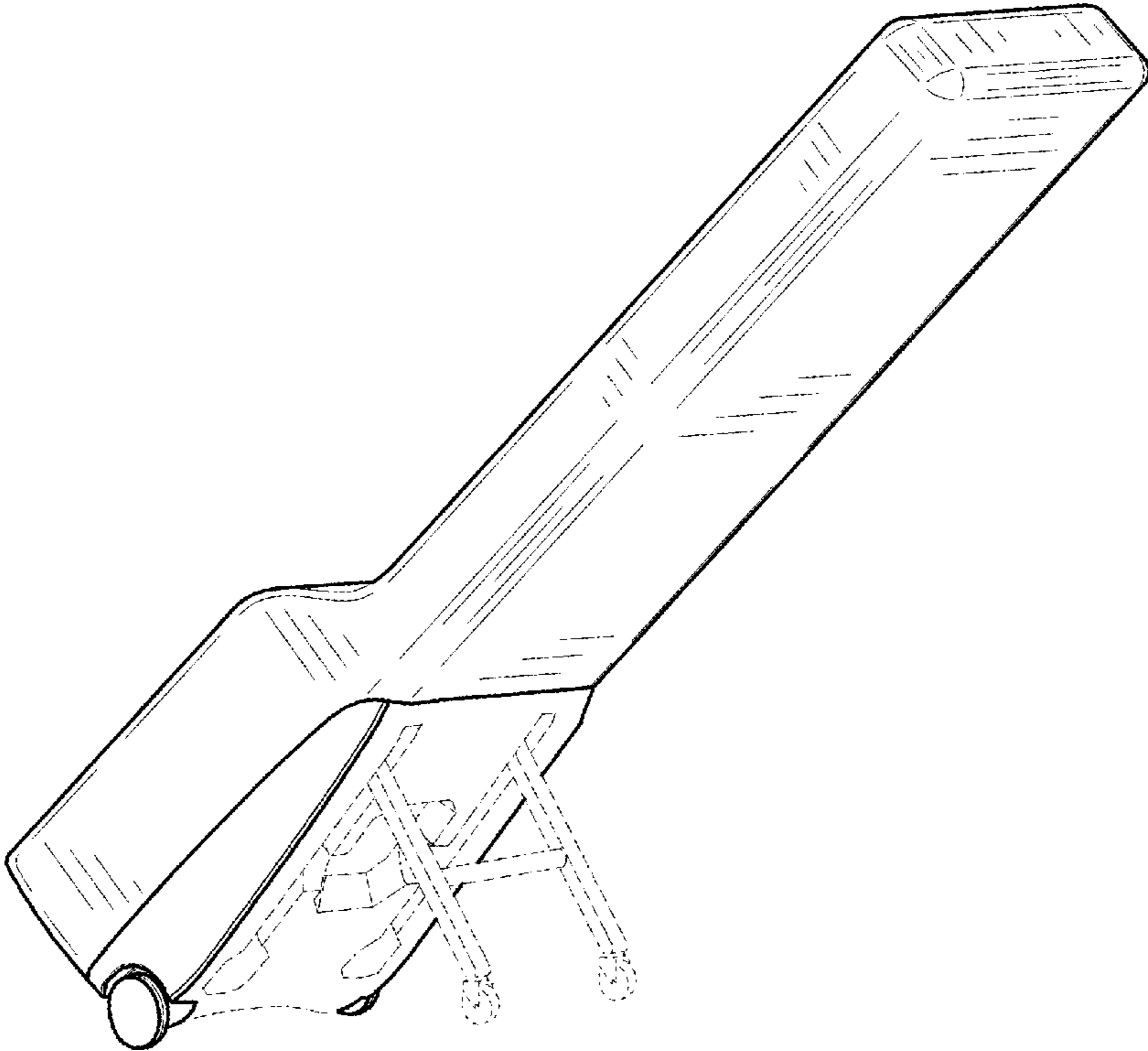


Fig. 1

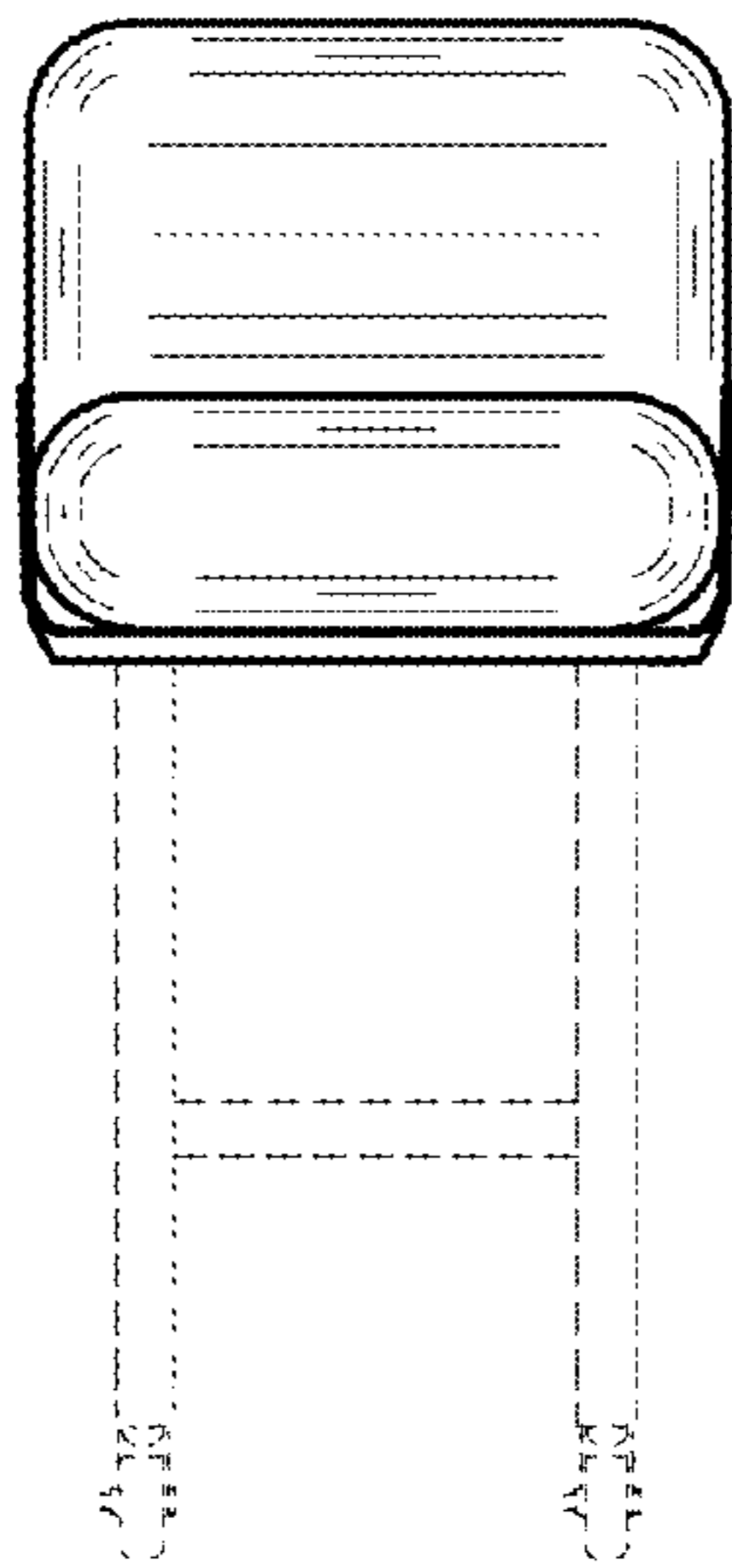


Fig. 2

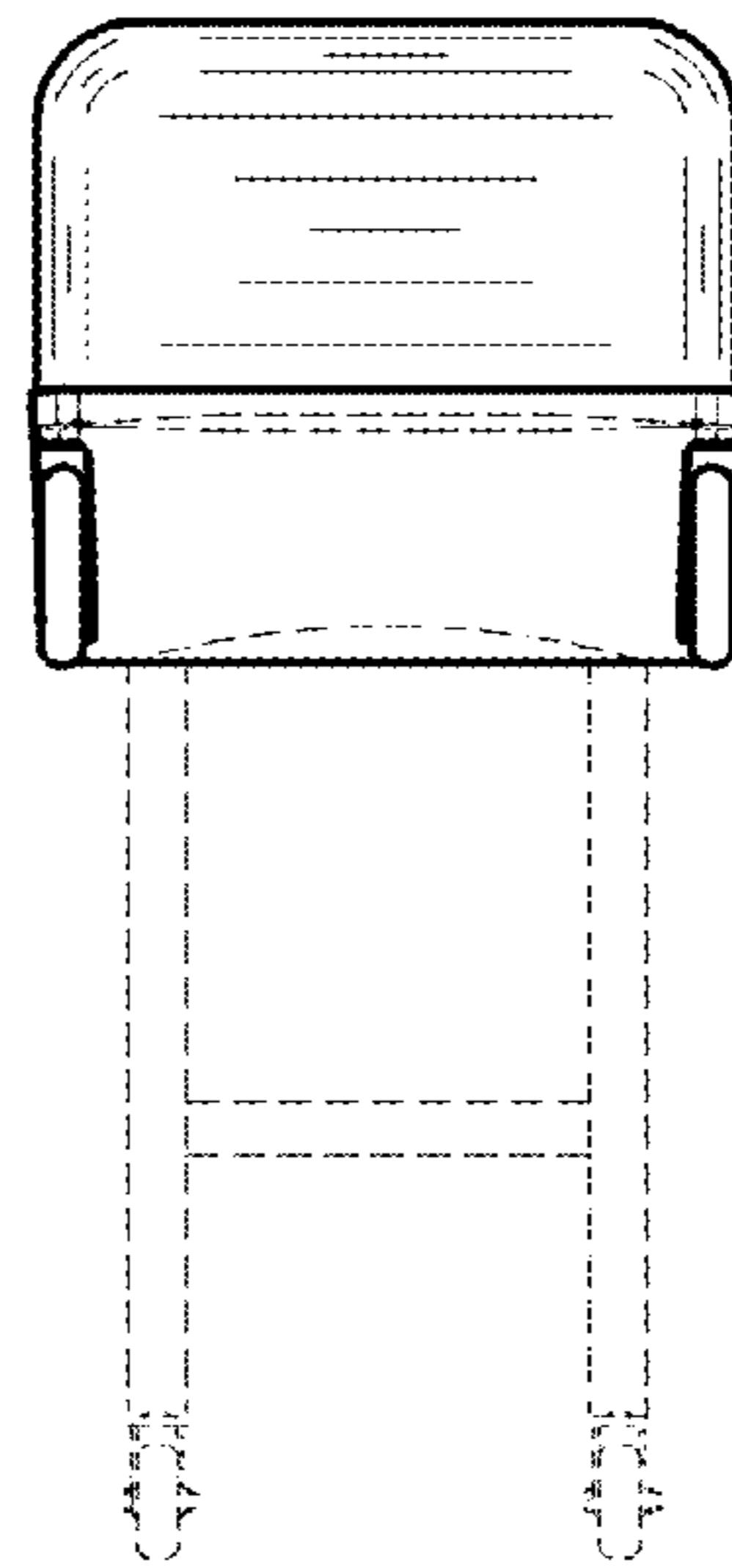


Fig. 3

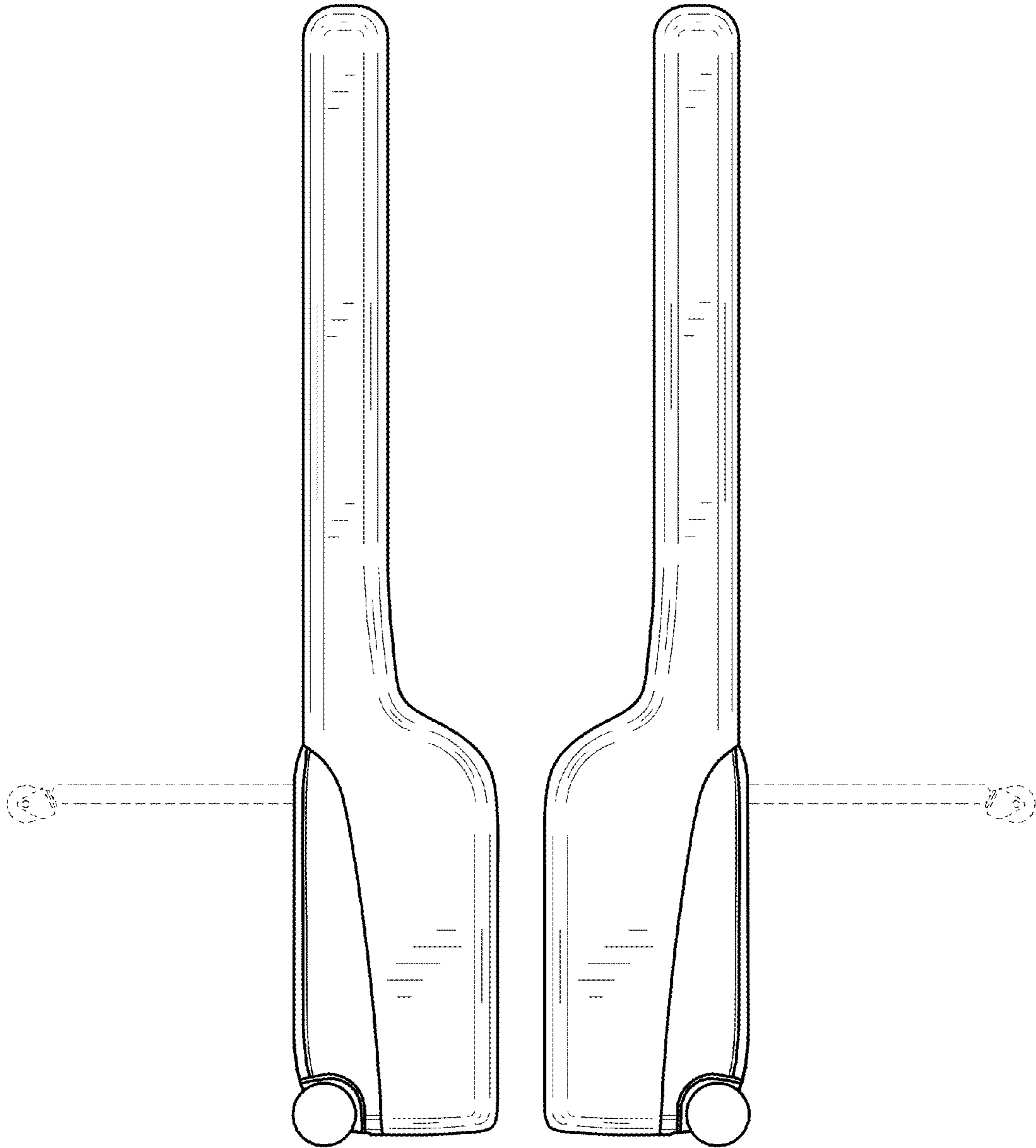


Fig. 4

Fig. 5

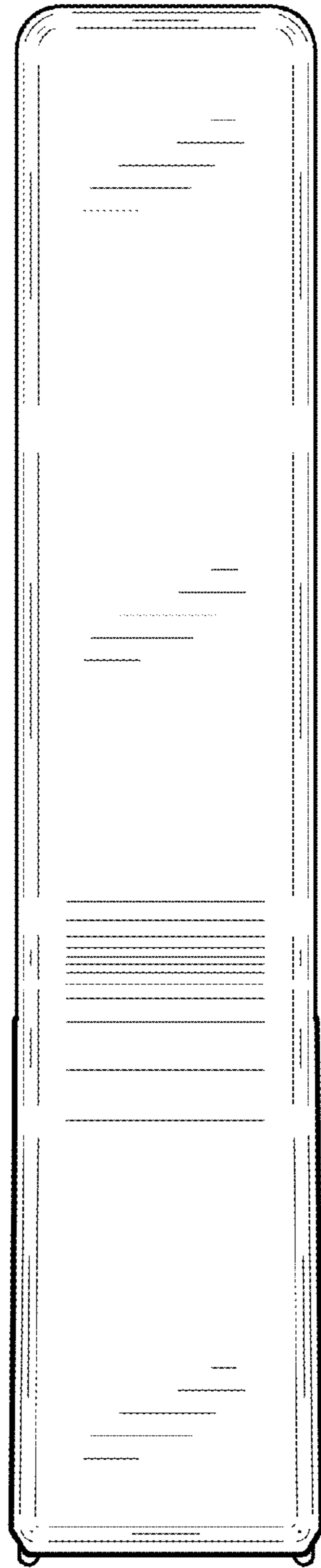


Fig. 6

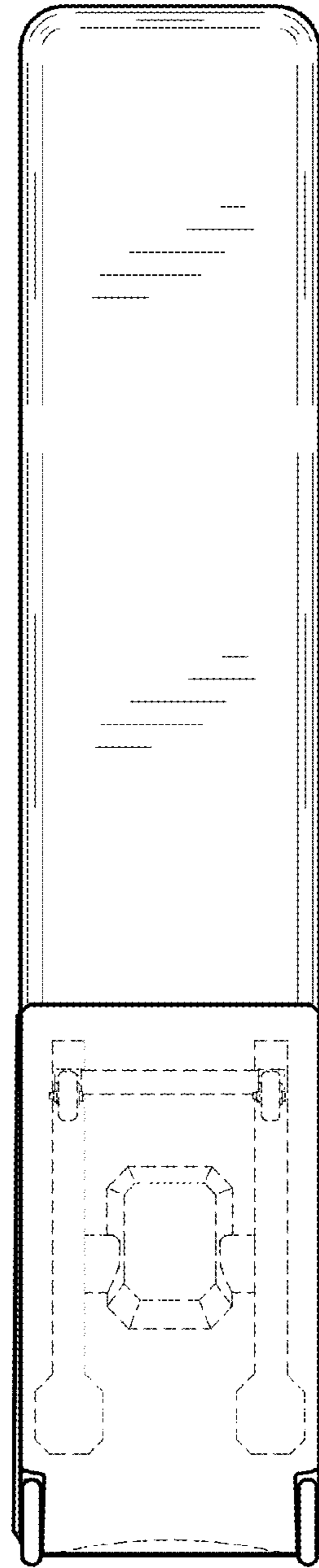


Fig. 7