



US00D718526S

(12) **United States Design Patent**  
**Barron**

(10) **Patent No.:** **US D718,526 S**  
(45) **Date of Patent:** **\*\* Dec. 2, 2014**

(54) **BOARD CASE**

(71) Applicant: **Paul Barron**, Christchurch (NZ)

(72) Inventor: **Paul Barron**, Christchurch (NZ)

(\*\*) Term: **14 Years**

(21) Appl. No.: **29/459,458**

(22) Filed: **Jun. 28, 2013**

(30) **Foreign Application Priority Data**

Mar. 21, 2013 (NZ) ..... 417422

(51) **LOC (10) Cl.** ..... **03-01**

(52) **U.S. Cl.**  
USPC ..... **D3/254**

(58) **Field of Classification Search**  
USPC ..... D3/254, 261, 269, 273, 904; D11/81;  
D12/413; 224/156, 329, 585, 600, 605;  
206/315.1, 522, 523, 811, 822

See application file for complete search history.

(56) **References Cited**

**U.S. PATENT DOCUMENTS**

4,793,535 A \* 12/1988 Johnson ..... 224/329  
6,003,745 A \* 12/1999 Mechanic ..... 224/156  
6,230,951 B1 \* 5/2001 Anderson ..... 224/585  
D511,623 S \* 11/2005 Malloy ..... D3/261

7,017,747 B2 \* 3/2006 Kiger et al. .... 206/522  
D522,904 S \* 6/2006 Lee ..... D11/81  
D554,858 S \* 11/2007 Malloy ..... D3/254  
D568,045 S \* 5/2008 Malloy ..... D3/254  
D641,303 S \* 7/2011 Gruner ..... D12/413  
D643,798 S \* 8/2011 Gruner ..... D12/413  
D656,082 S \* 3/2012 Gruner ..... D12/413  
2006/0016842 A1 \* 1/2006 Lu ..... 224/600  
2006/0289583 A1 \* 12/2006 Lu ..... 224/605  
2006/0289584 A1 \* 12/2006 Lu ..... 224/605  
2010/0006469 A1 \* 1/2010 Allouche ..... 206/523  
2013/0043152 A1 \* 2/2013 Muroki ..... 206/315.1

\* cited by examiner

*Primary Examiner* — Adir Aronovich

*Assistant Examiner* — Ethiene Salgado-Rodriguez

(74) *Attorney, Agent, or Firm* — Foley & Lardner LLP

(57) **CLAIM**

The ornamental design for a board case, as shown and described.

**DESCRIPTION**

FIG. 1 is a top and right side perspective view of a board case showing my new design;

FIG. 2 is a top plan view thereof;

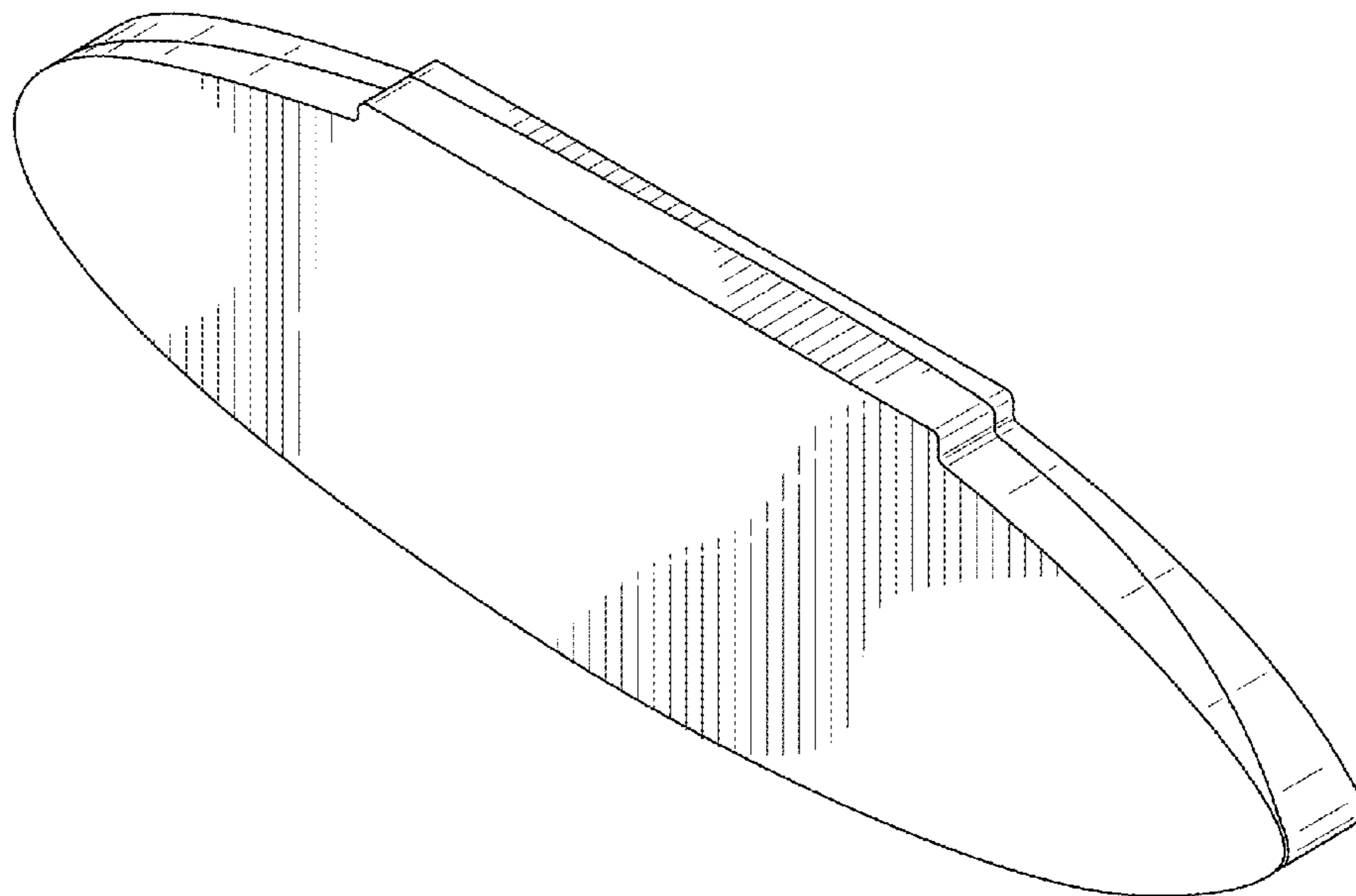
FIG. 3 is a bottom plan view thereof;

FIG. 4 is a front elevational view thereof;

FIG. 5 is a rear elevational view thereof; and,

FIG. 6 is a right side elevational view thereof.

**1 Claim, 3 Drawing Sheets**



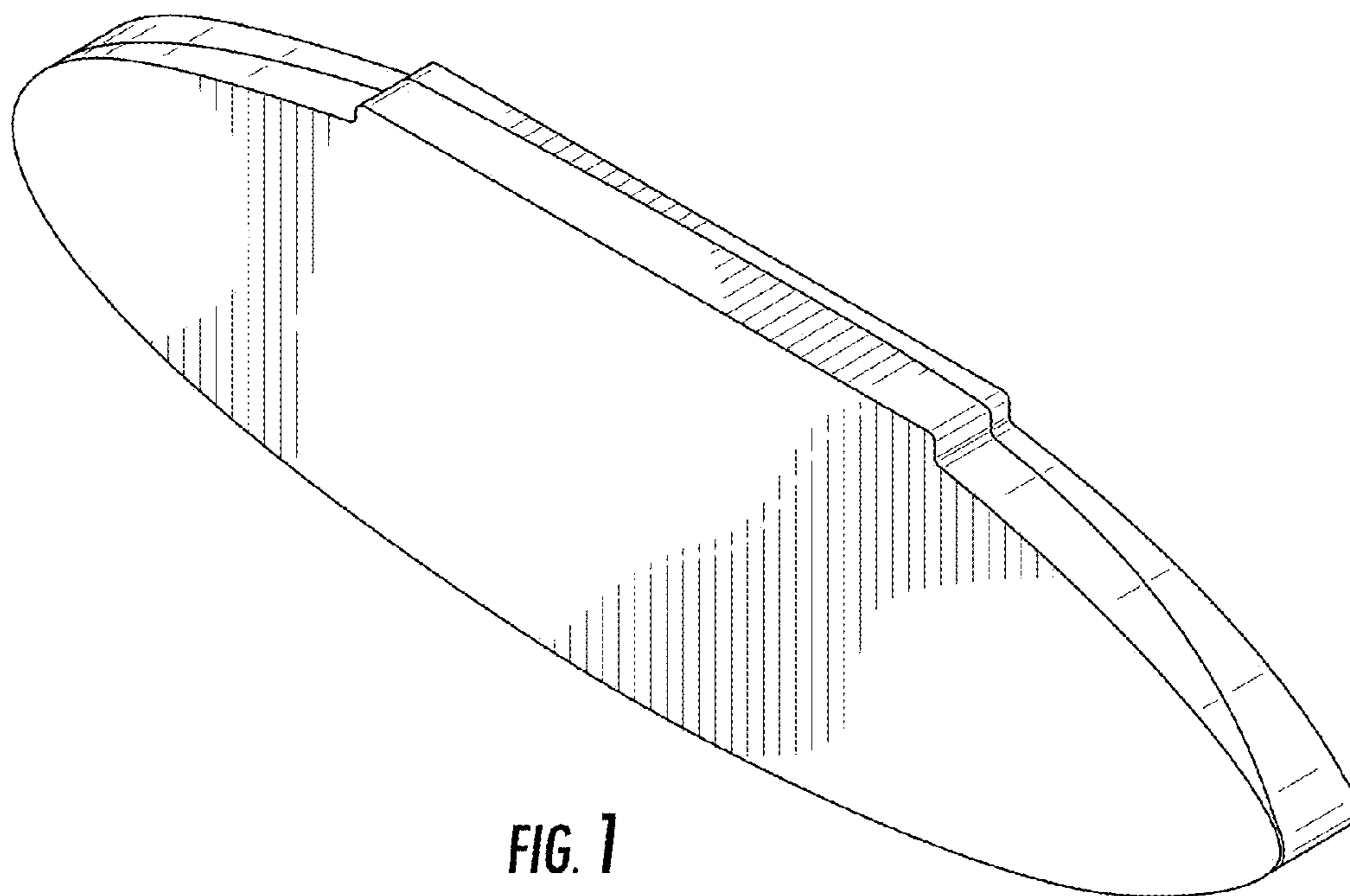


FIG. 1

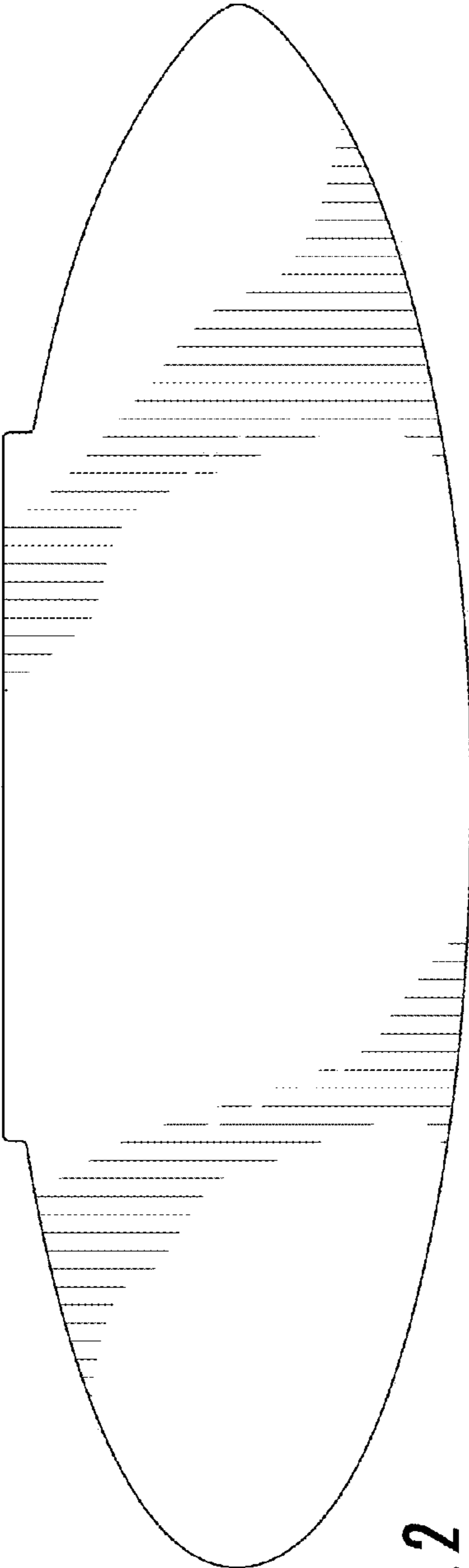


FIG. 2

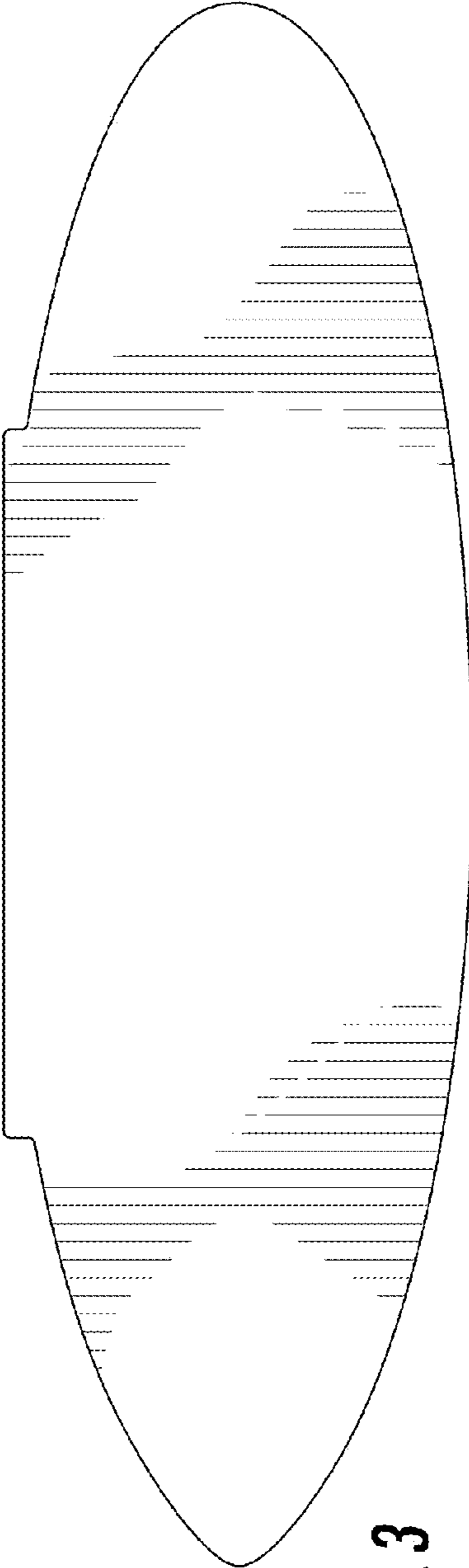


FIG. 3

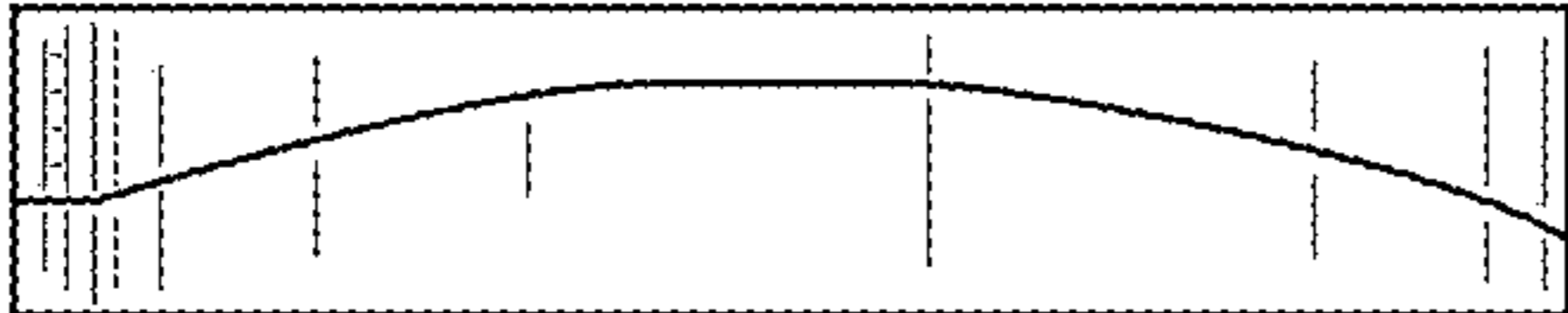


FIG. 4



FIG. 5

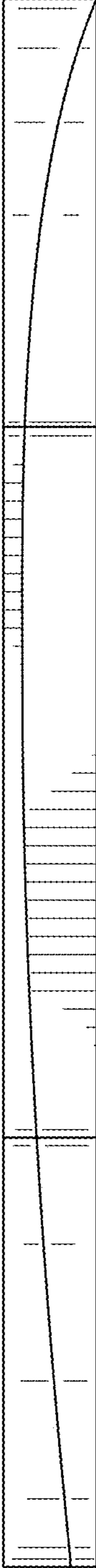


FIG. 6