



US00D718524S

(12) **United States Design Patent**
Doerksen

(10) **Patent No.:** **US D718,524 S**

(45) **Date of Patent:** **** Dec. 2, 2014**

(54) **SPEED WRENCH HOLDER**

D464,483 S * 10/2002 Bloch D3/228
D480,867 S * 10/2003 Snider et al. D3/228
8,028,872 B2 * 10/2011 Hamlin 224/678

(71) Applicant: **Alvin Doerksen**, Cranbrook (CA)

(72) Inventor: **Alvin Doerksen**, Cranbrook (CA)

(**) Term: **14 Years**

(21) Appl. No.: **29/485,163**

(22) Filed: **Mar. 17, 2014**

(51) **LOC (10) Cl.** **03-01**

(52) **U.S. Cl.**
USPC **D3/228**

(58) **Field of Classification Search**
CPC A45F 2200/0575; A45F 5/021
USPC D3/228, 220, 224, 226, 230;
224/242-243, 274, 674, 678-683
See application file for complete search history.

(56) **References Cited**

U.S. PATENT DOCUMENTS

D333,040 S * 2/1993 Dancyger D3/228
6,085,952 A * 7/2000 Garland D3/228

FOREIGN PATENT DOCUMENTS

CA 68117 2/1991
CA 71710 10/1992
CA 76119 4/1995

* cited by examiner

Primary Examiner — Catheri Oliver-Garcia

(57) **CLAIM**

I claim the ornamental design for a speed wrench holder, as shown and described.

DESCRIPTION

FIG. 1 is a front elevation view of the speed wrench holder; FIG. 2 is a rear elevation view of the speed wrench holder; FIG. 3 is a top plan view of the speed wrench holder; FIG. 4 is a bottom plan view of the speed wrench holder; FIG. 5 is a right side elevation view of the speed wrench holder; and, FIG. 6 is a perspective view of the speed wrench holder.

1 Claim, 4 Drawing Sheets

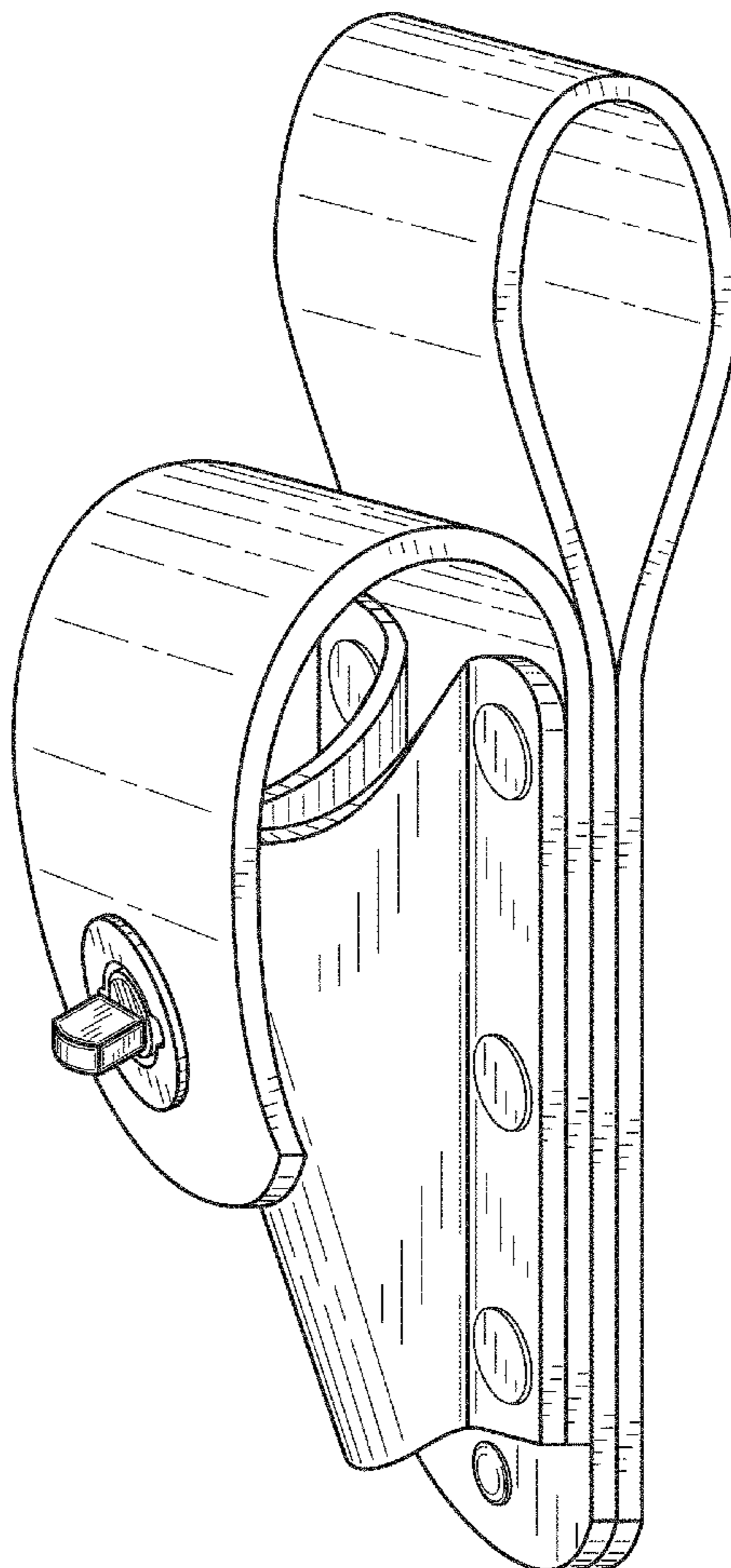


FIG. 1

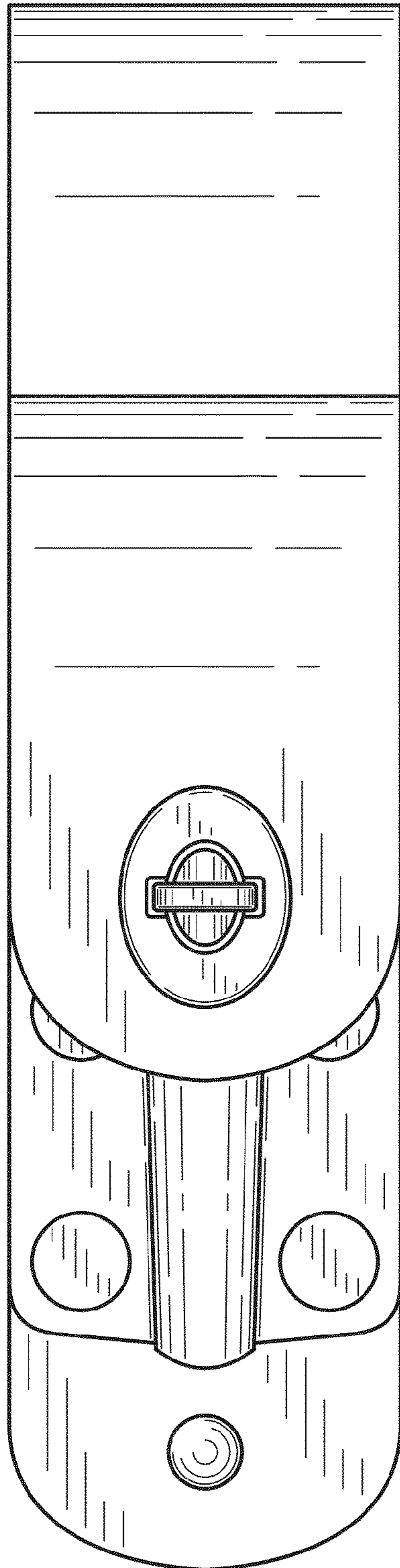


FIG. 2

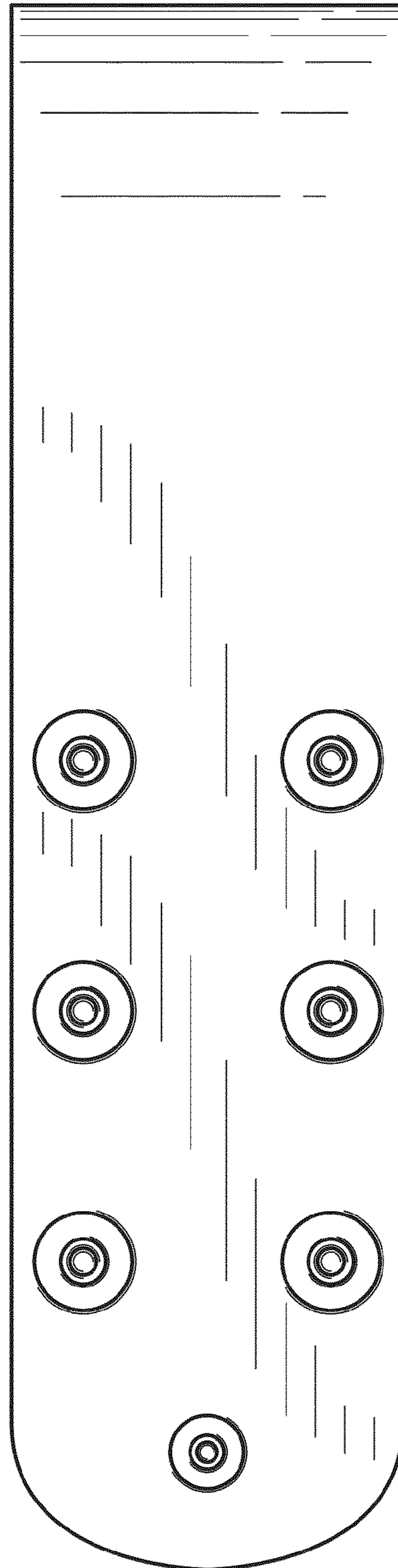


FIG. 3

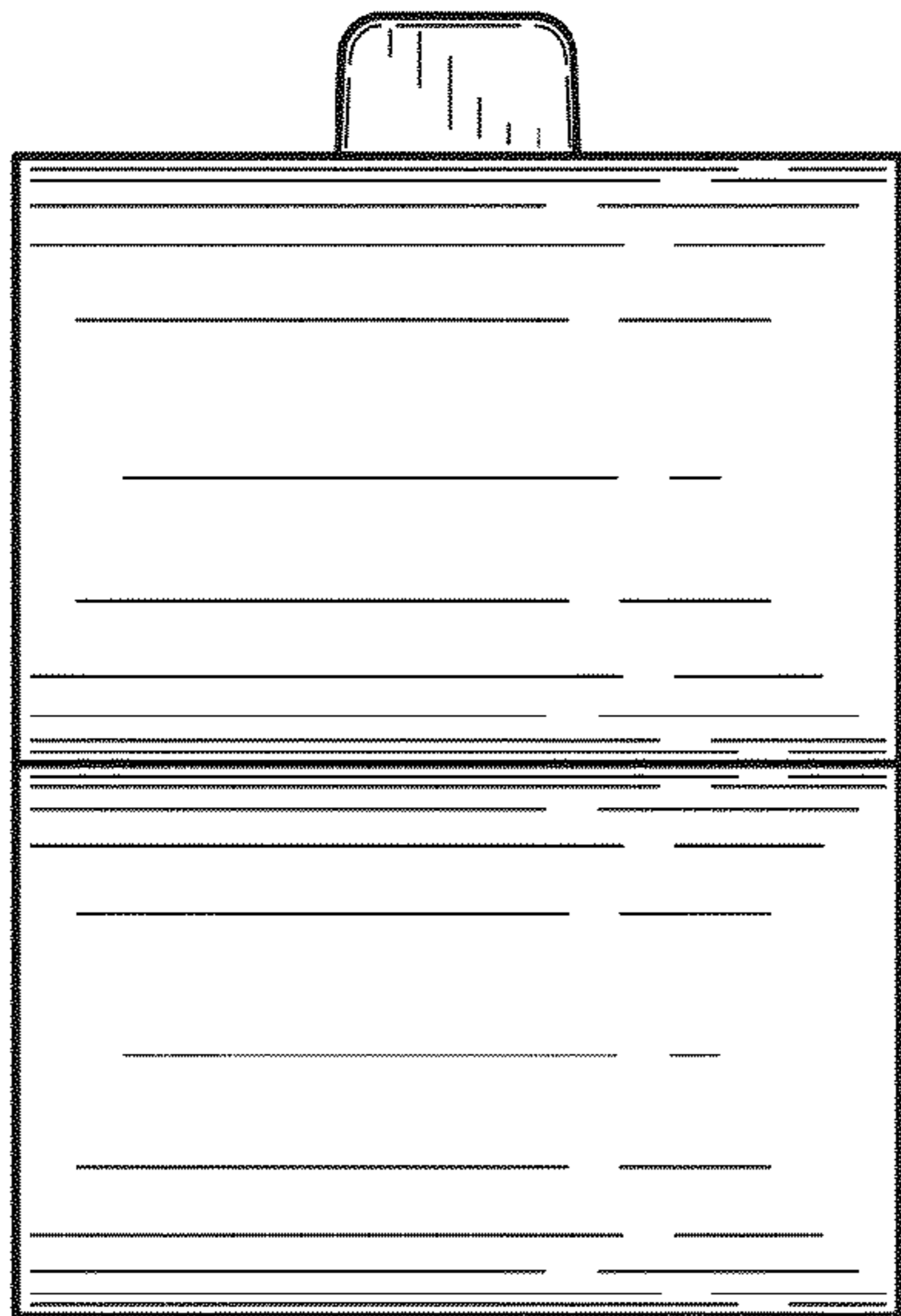


FIG. 4

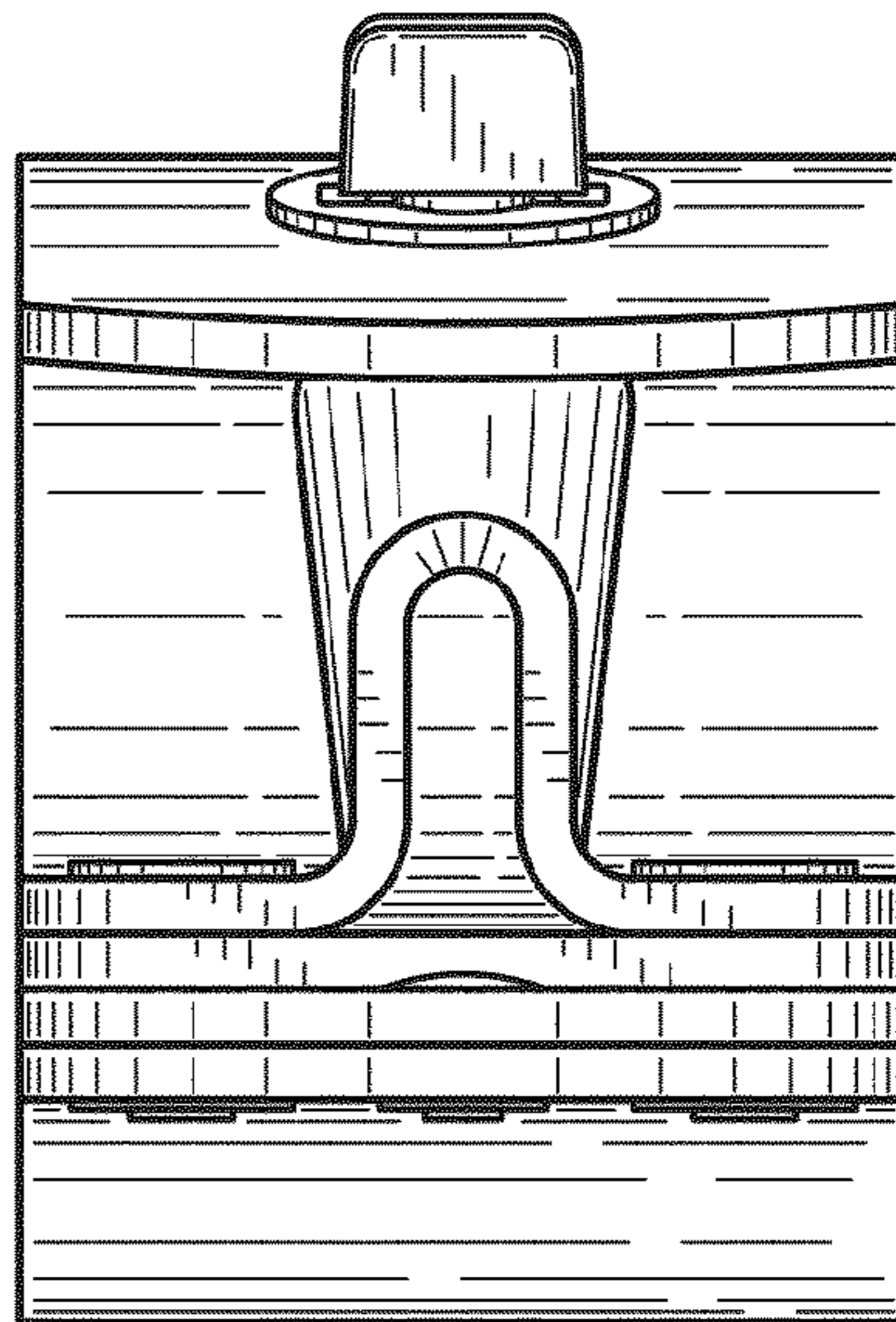


FIG. 5

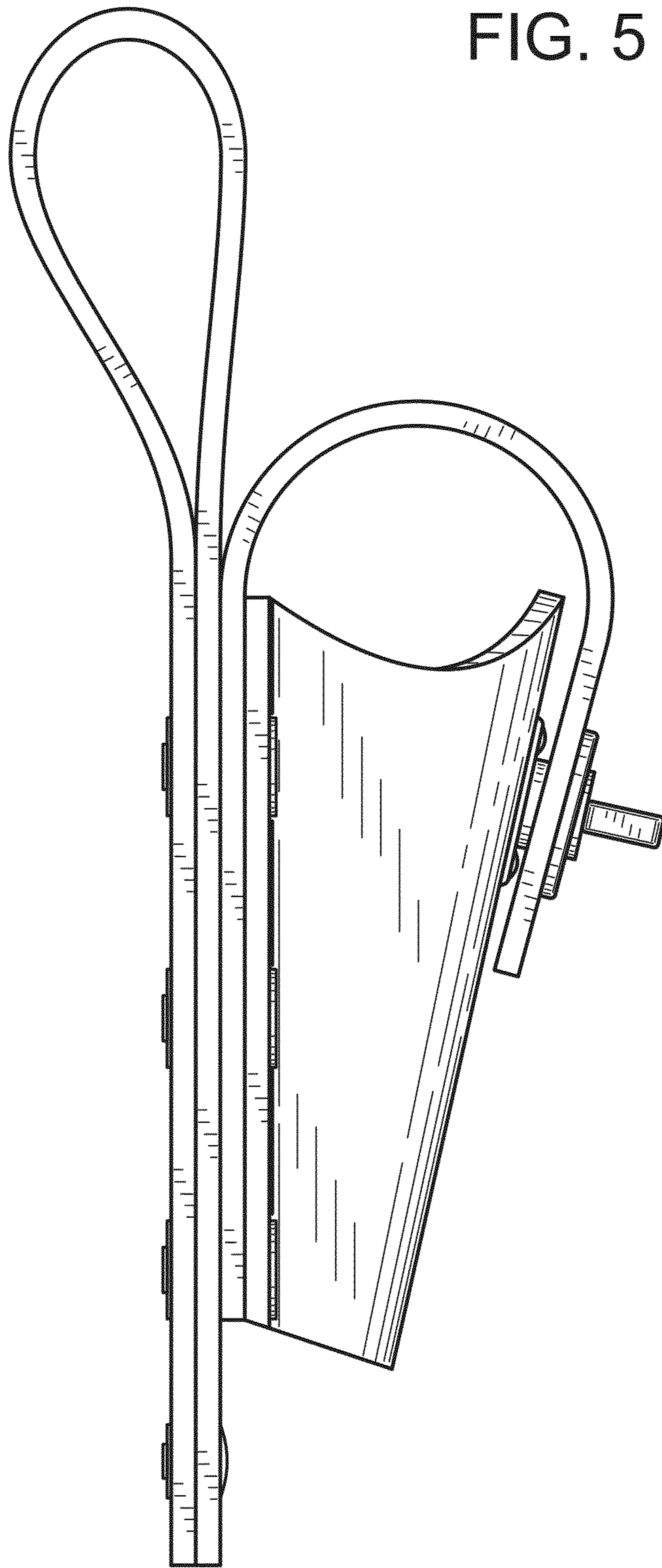


FIG. 6

