



US00D718523S

(12) **United States Design Patent**
Cox et al.

(10) **Patent No.:** **US D718,523 S**

(45) **Date of Patent:** **** Dec. 2, 2014**

(54) **PISTOL HOLSTER**

(71) Applicants: **Arthur Cox**, Galax, VA (US); **James Jeffery Hedge, Jr.**, Dugspur, VA (US)

(72) Inventors: **Arthur Cox**, Galax, VA (US); **James Jeffery Hedge, Jr.**, Dugspur, VA (US)

(**) Term: **14 Years**

(21) Appl. No.: **29/487,222**

(22) Filed: **Apr. 7, 2014**

(51) **LOC (10) Cl.** **03-01**

(52) **U.S. Cl.**
USPC **D3/222**

(58) **Field of Classification Search**
USPC D3/222-223, 220; 224/192-193, 198,
224/243-244, 676-677, 679, 911-912
See application file for complete search history.

(56) **References Cited**

U.S. PATENT DOCUMENTS

D543,353 S	*	5/2007	Carver et al.	D3/222
D543,354 S	*	5/2007	Carver et al.	D3/222
D594,650 S	*	6/2009	Doty et al.	D3/222
D668,453 S	*	10/2012	Teichelman	D3/222

* cited by examiner

Primary Examiner — Catheri Oliver-Garcia

(74) *Attorney, Agent, or Firm* — The Van Winkle Law Firm;
David M. Carter

(57) **CLAIM**

The ornamental design for a pistol holster, as shown and described.

DESCRIPTION

FIG. 1 is a left side perspective view of a pistol holster showing our new design with a pistol shown with broken lines.

FIG. 2 is a left side view thereof.

FIG. 3 is a right side view thereof.

FIG. 4 is a right side perspective view thereof.

FIG. 5 is a front view thereof.

FIG. 6 is rear view thereof.

FIG. 7 is a top view thereof.

FIG. 8 is a bottom view thereof.

FIG. 9 is a left side view thereof with a pistol shown with broken lines and with straps, belt and a portion of a human body shown in broken lines so that the pistol holster is in a thigh mount position.

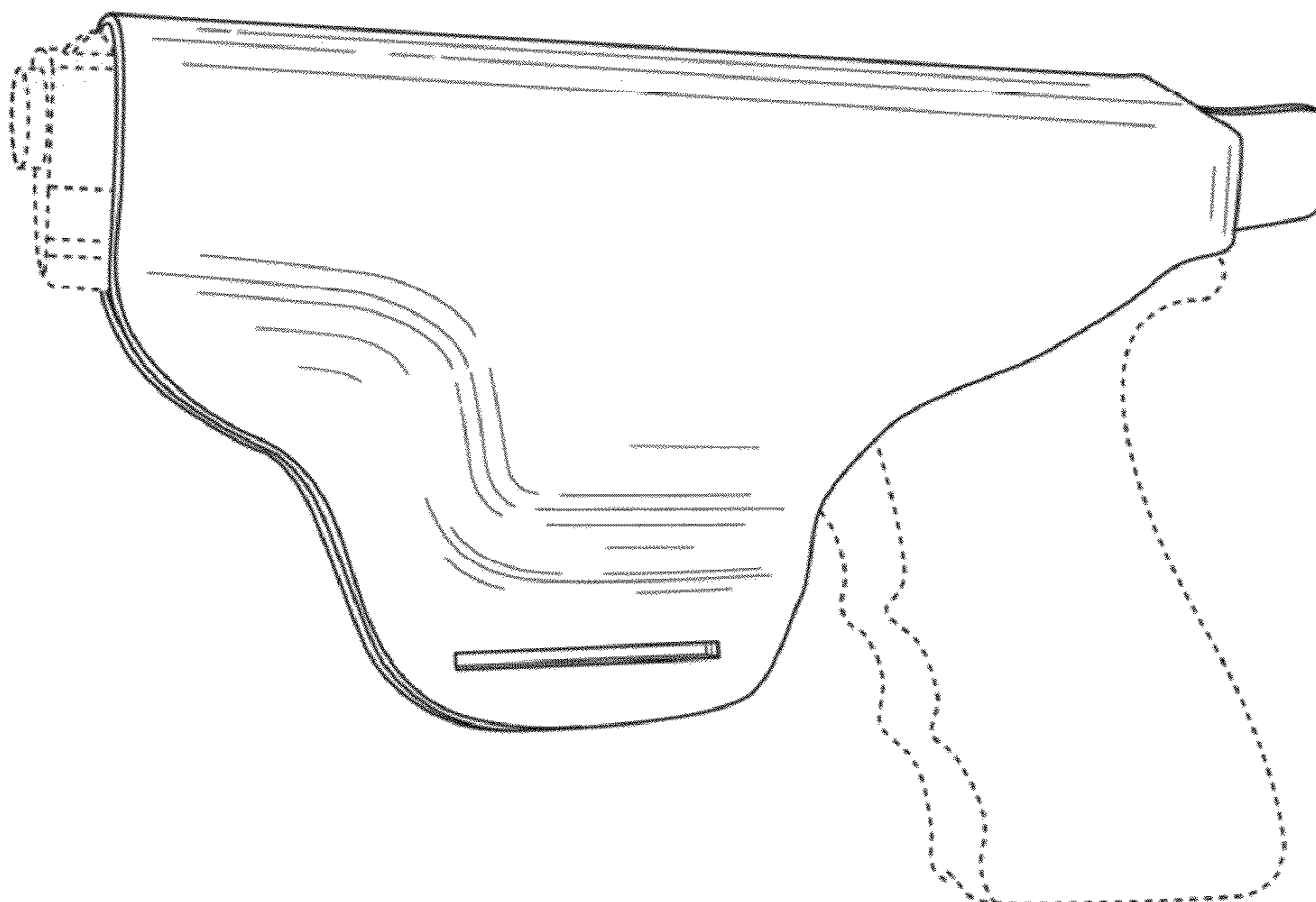
FIG. 10 is a side view thereof with a pistol shown in broken lines and with a belt and portions of a human body shown in broken lines so that the pistol holster is in a hip mount position.

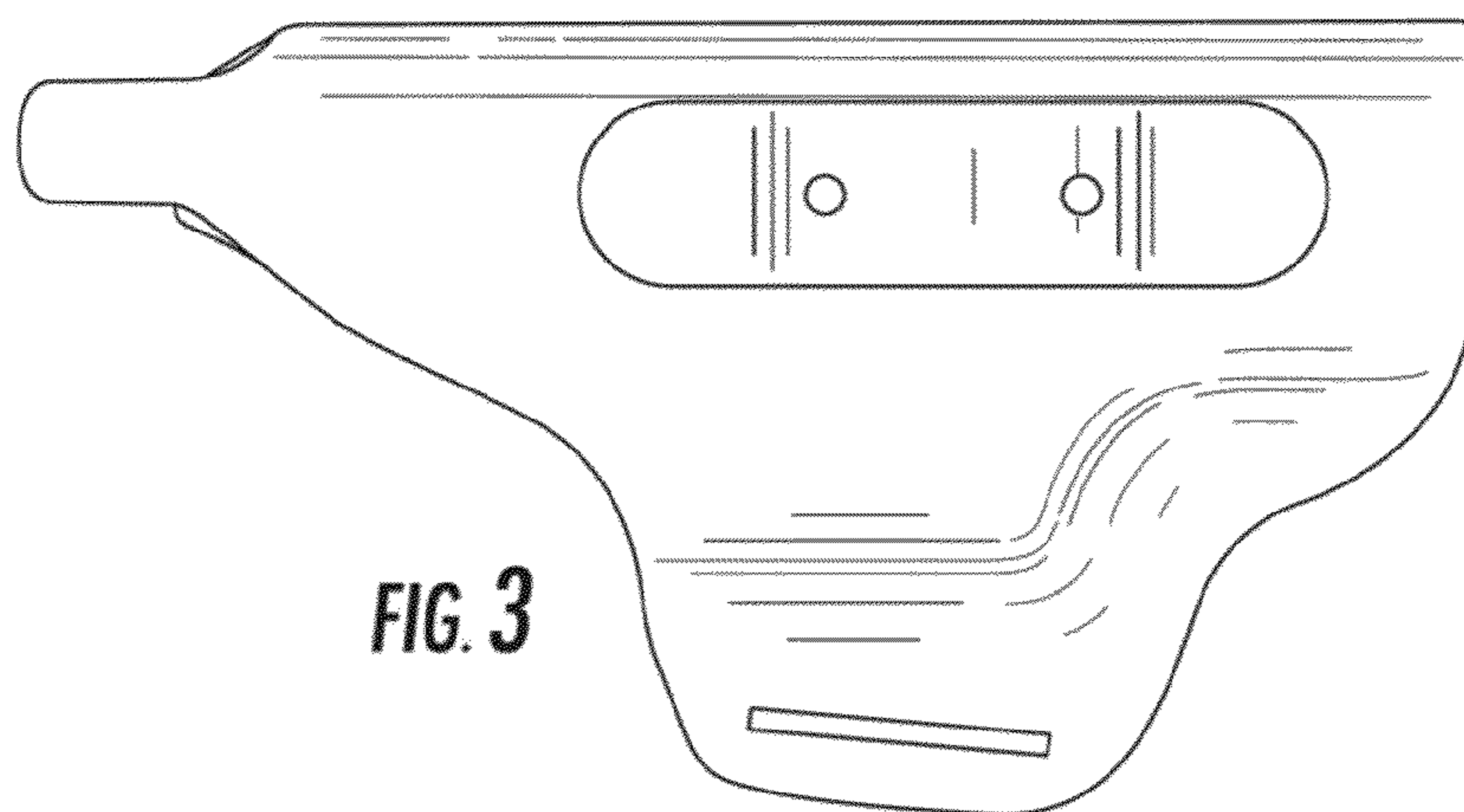
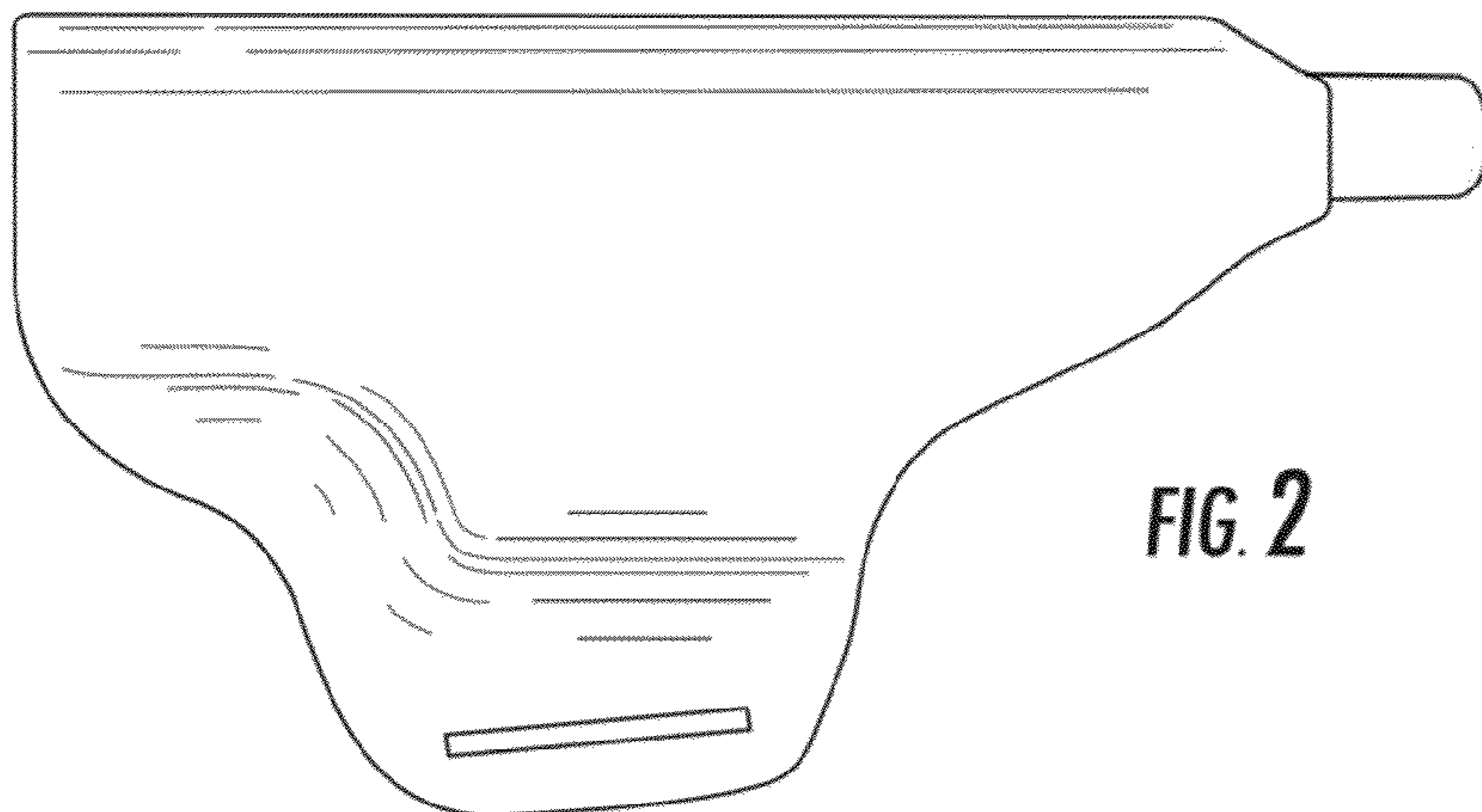
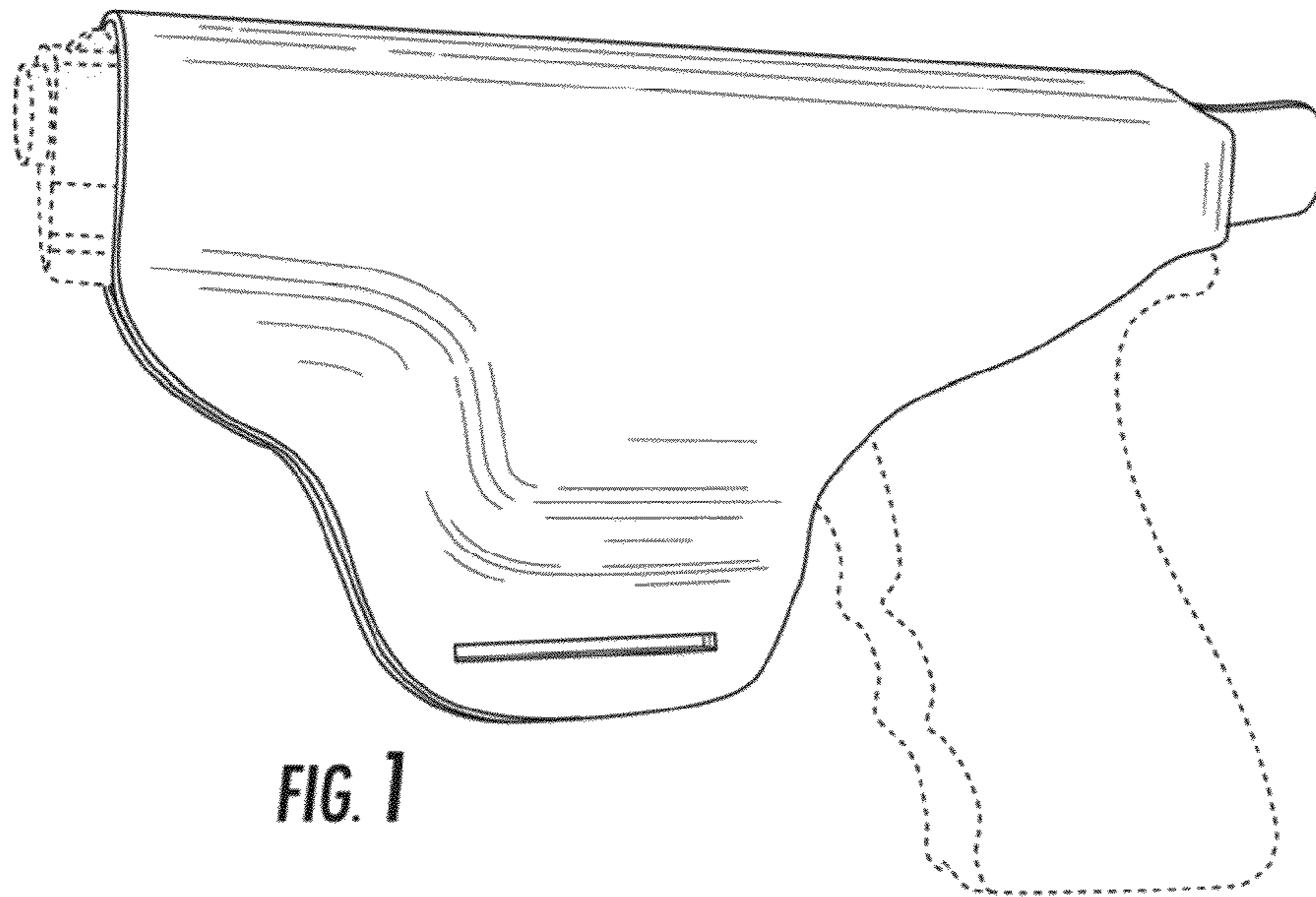
FIG. 11 is a right side elevational view thereof with a pistol and straps in broken lines so that the pistol holster is in a shoulder mount position; and,

FIG. 12 is a left side view thereof with a pistol shown in broken lines and with straps shown in broken lines so that the pistol holster is in a shoulder mount position.

It being understood that the broken lines are for illustrative purposes only.

1 Claim, 7 Drawing Sheets





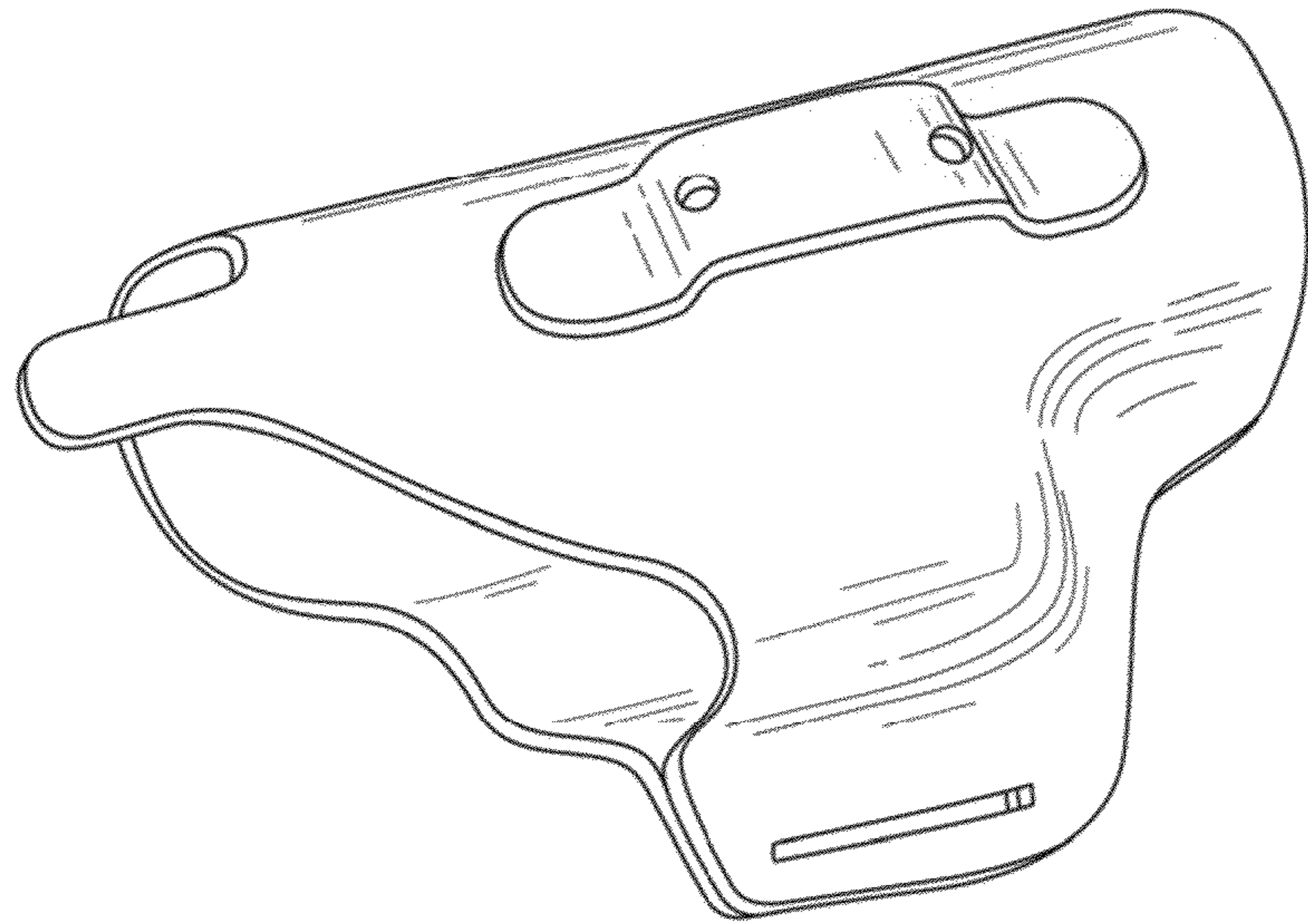


FIG. 4

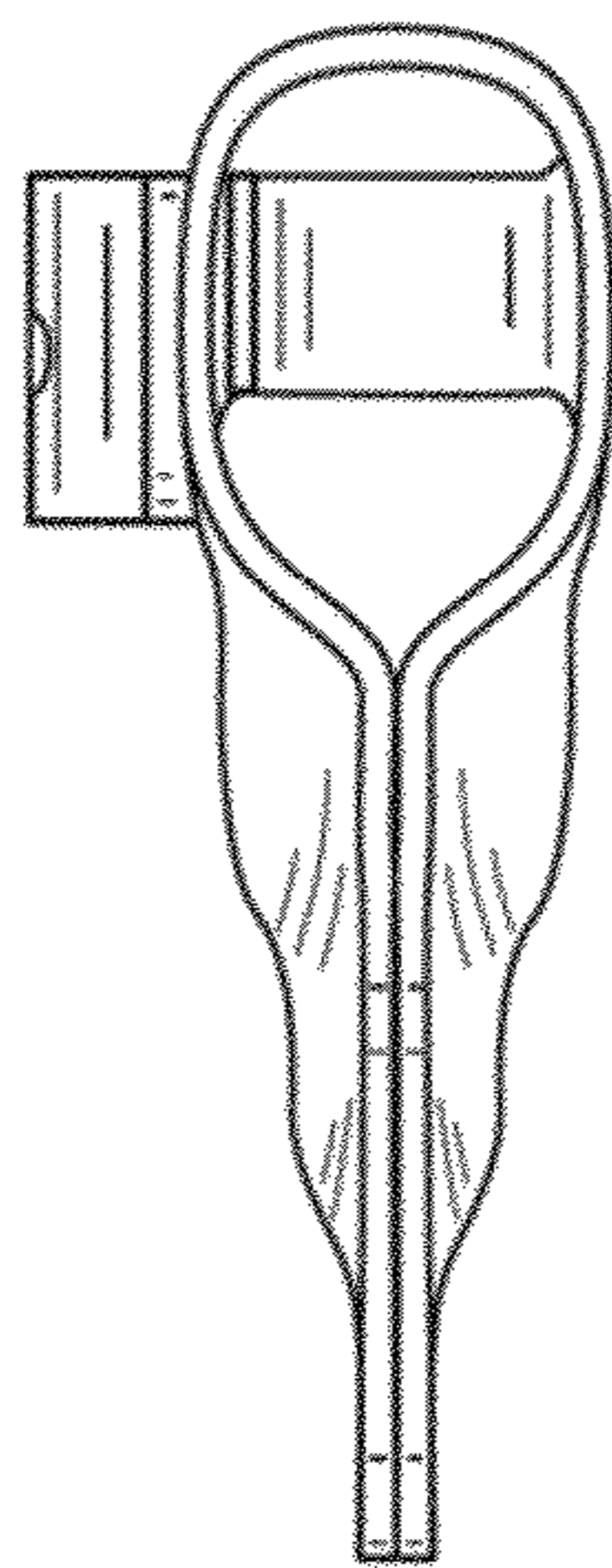


FIG. 5

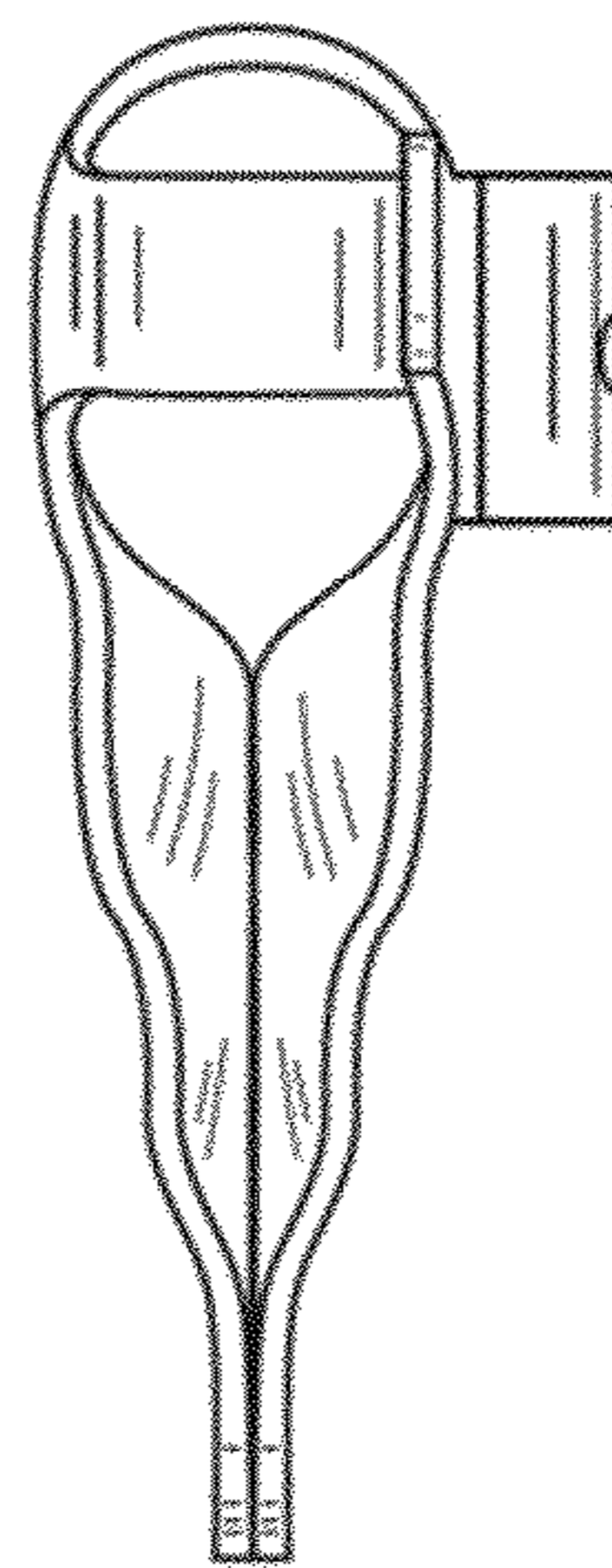


FIG. 6

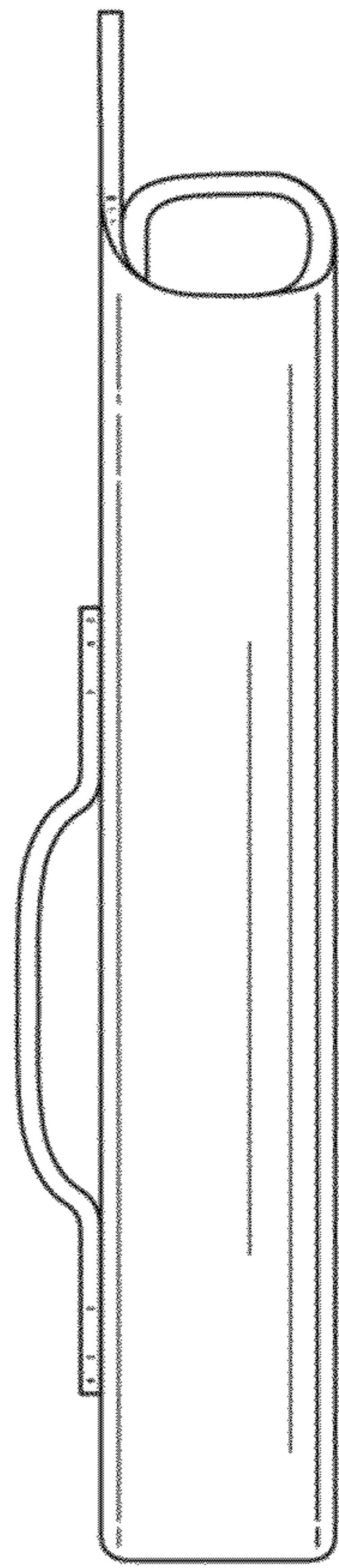


FIG. 7

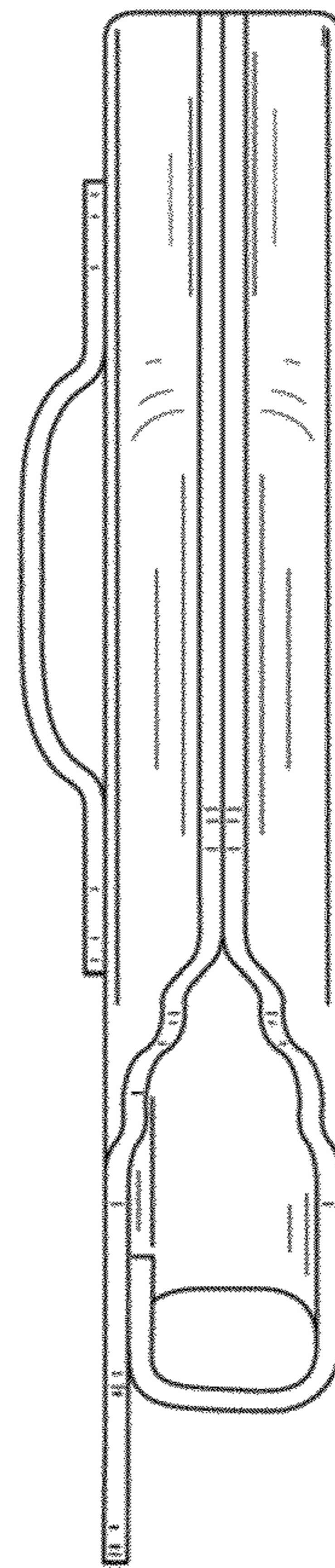


FIG. 8

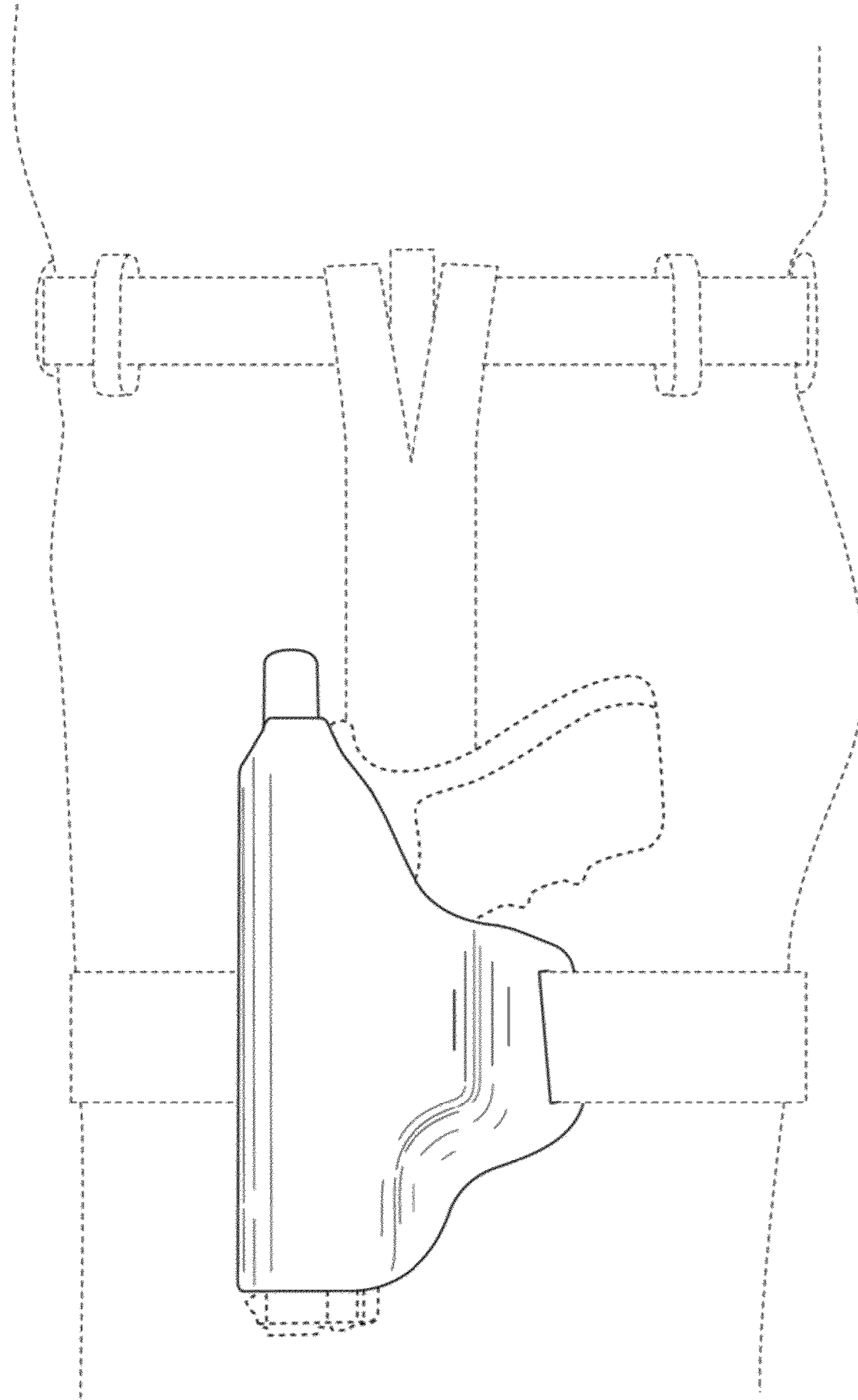


FIG. 9

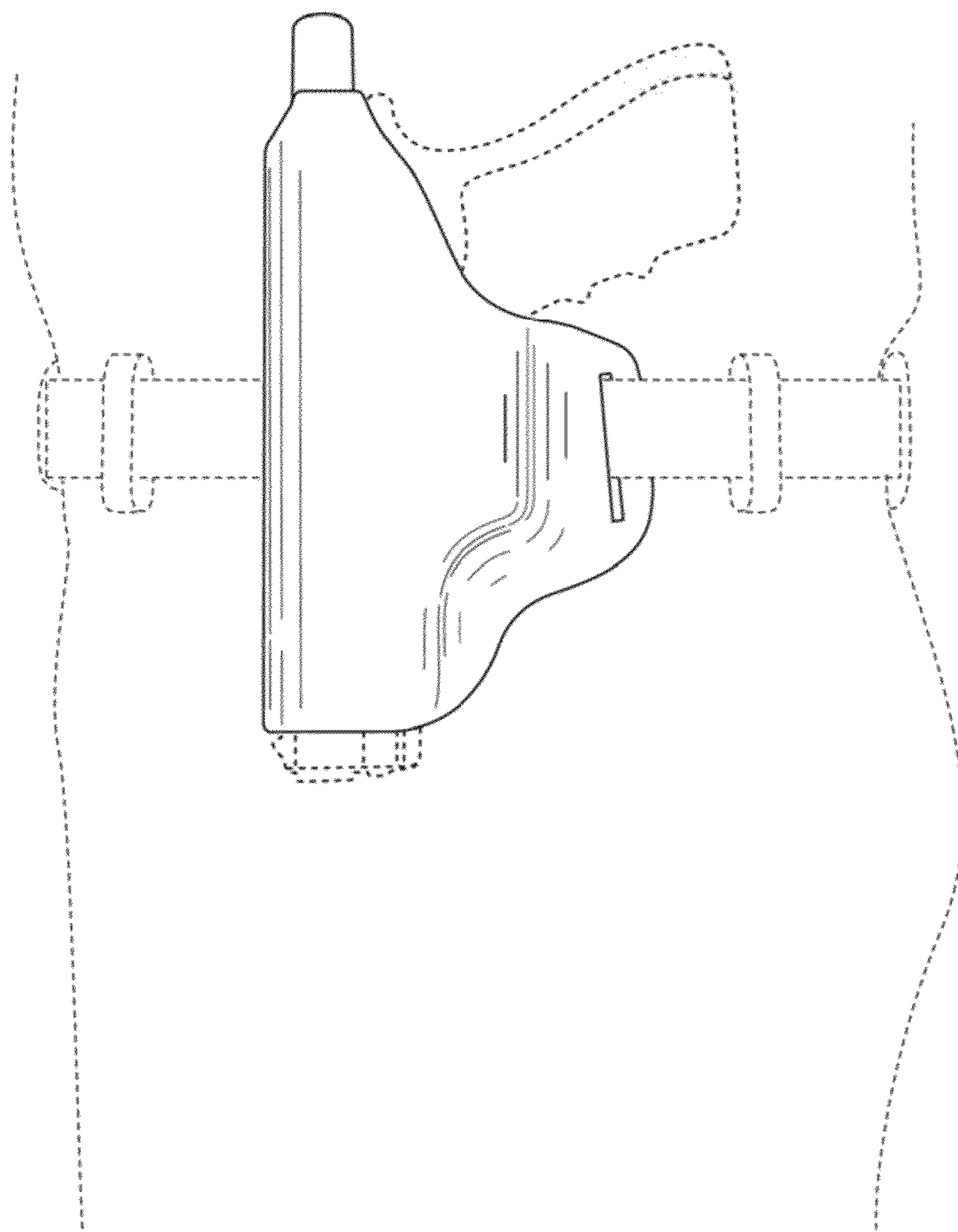


FIG. 10

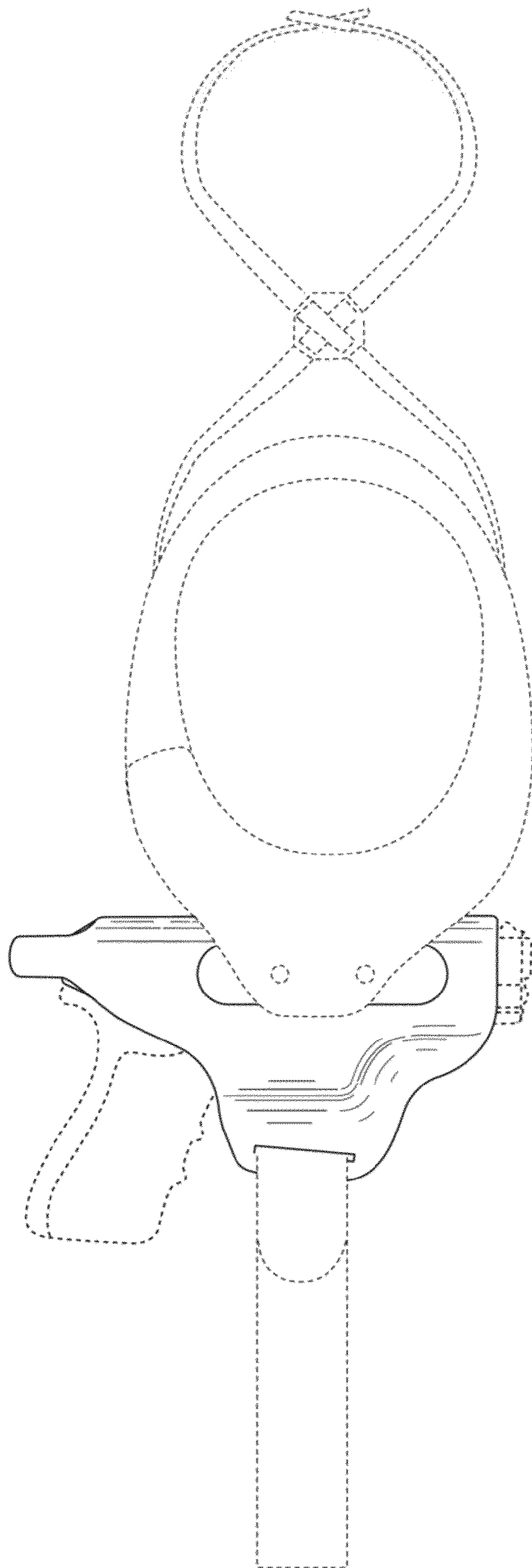


FIG. 11

