



US00D718515S

(12) **United States Design Patent**
Jaxheimer et al.

(10) **Patent No.:** **US D718,515 S**
(45) **Date of Patent:** **** Nov. 25, 2014**

- (54) **URN**
- (71) **Applicants:** **Marc R. Jaxheimer**, Allentown, PA (US); **Michael L. Patton**, Bangor, PA (US)
- (72) **Inventors:** **Marc R. Jaxheimer**, Allentown, PA (US); **Michael L. Patton**, Bangor, PA (US)
- (**) **Term:** **14 Years**
- (21) **Appl. No.:** **29/459,151**
- (22) **Filed:** **Jun. 26, 2013**
- (51) **LOC (10) Cl.** **99-00**
- (52) **U.S. Cl.**
USPC **D99/5**
- (58) **Field of Classification Search**
CPC A61G 17/00
USPC D99/5, 17, 28; 27/1; 52/103, 138; D9/432; D6/661, 683, 686, 691, 691.4, D6/663, 671.1, 672, 675; 108/62, 150; D11/131; 220/4.33; 206/756; 312/351.2, 351.1, 351.7, 114; 40/124.5; 248/346.01
See application file for complete search history.

4,553,680	A *	11/1985	Griggs et al.	220/4.33
D306,664	S *	3/1990	Pouch	D6/429
5,140,728	A *	8/1992	Chandler et al.	27/35
D350,010	S *	8/1994	May et al.	D99/5
D383,278	S *	9/1997	Jennings	D34/1
D405,987	S *	2/1999	Kuehn	D6/449
D421,672	S *	3/2000	Thesken	D99/5
6,044,532	A *	4/2000	Bowling et al.	27/1
6,076,292	A *	6/2000	Kawa	40/124.5
D432,285	S *	10/2000	Baldwin et al.	D99/5
D433,209	S *	10/2000	Baldwin et al.	D99/5
D444,287	S *	6/2001	Cass	D99/5
D444,932	S *	7/2001	Greiwe et al.	D99/5
D494,727	S *	8/2004	Poteet	D99/5
D501,100	S *	1/2005	Walker	D6/448
D540,505	S *	4/2007	Perreault	D99/5
7,213,711	B2 *	5/2007	Wang	206/776
D655,065	S *	2/2012	Eck	D99/5
2005/0125973	A1 *	6/2005	Hankel et al.	27/1
2007/0033777	A1 *	2/2007	Blessing	27/1

* cited by examiner

Primary Examiner — Paula Greene
(74) *Attorney, Agent, or Firm* — Clinton H. Wilkinson; Charles A. Wilkinson

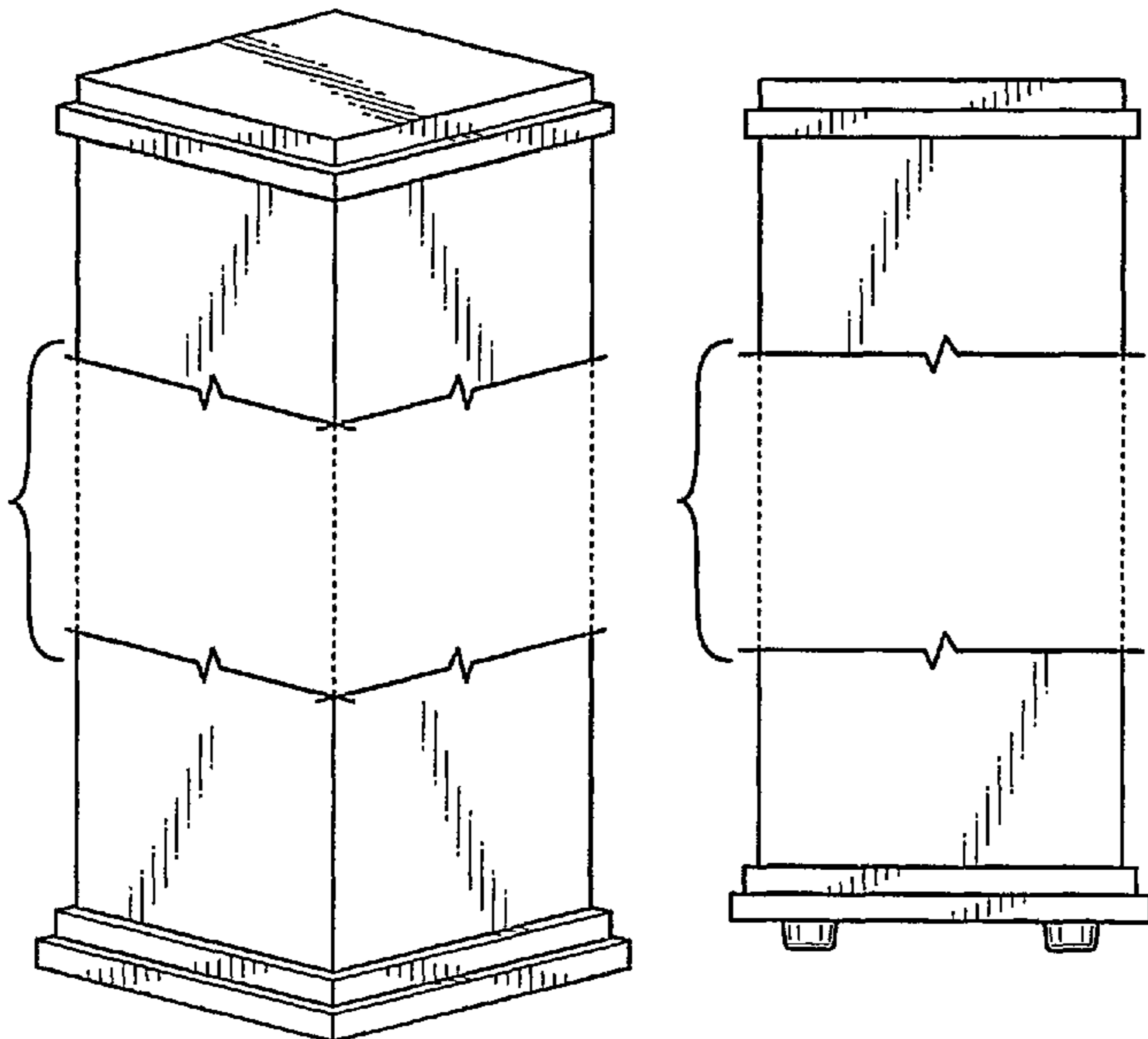
(57) **CLAIM**
We claim the ornamental design for the “urn,” as shown and described.

DESCRIPTION

FIG. 1 is a perspective view of an urn showing our new design, and the urn is drawn broken away for indeterminate length;
FIG. 2 is a top view thereof;
FIG. 3 is a side view thereof; and,
FIG. 4 is a bottom view thereof.

1 Claim, 1 Drawing Sheet

- (56) **References Cited**
U.S. PATENT DOCUMENTS
406,191 A * 7/1889 Belden et al. 108/62
1,679,468 A * 8/1928 Garniss 206/756
D110,842 S * 8/1938 West D6/448
3,266,656 A * 8/1966 Kridle 220/4.28
3,583,781 A * 6/1971 Yamawaki et al. 312/258
D255,628 S * 7/1980 Van Koert D6/486



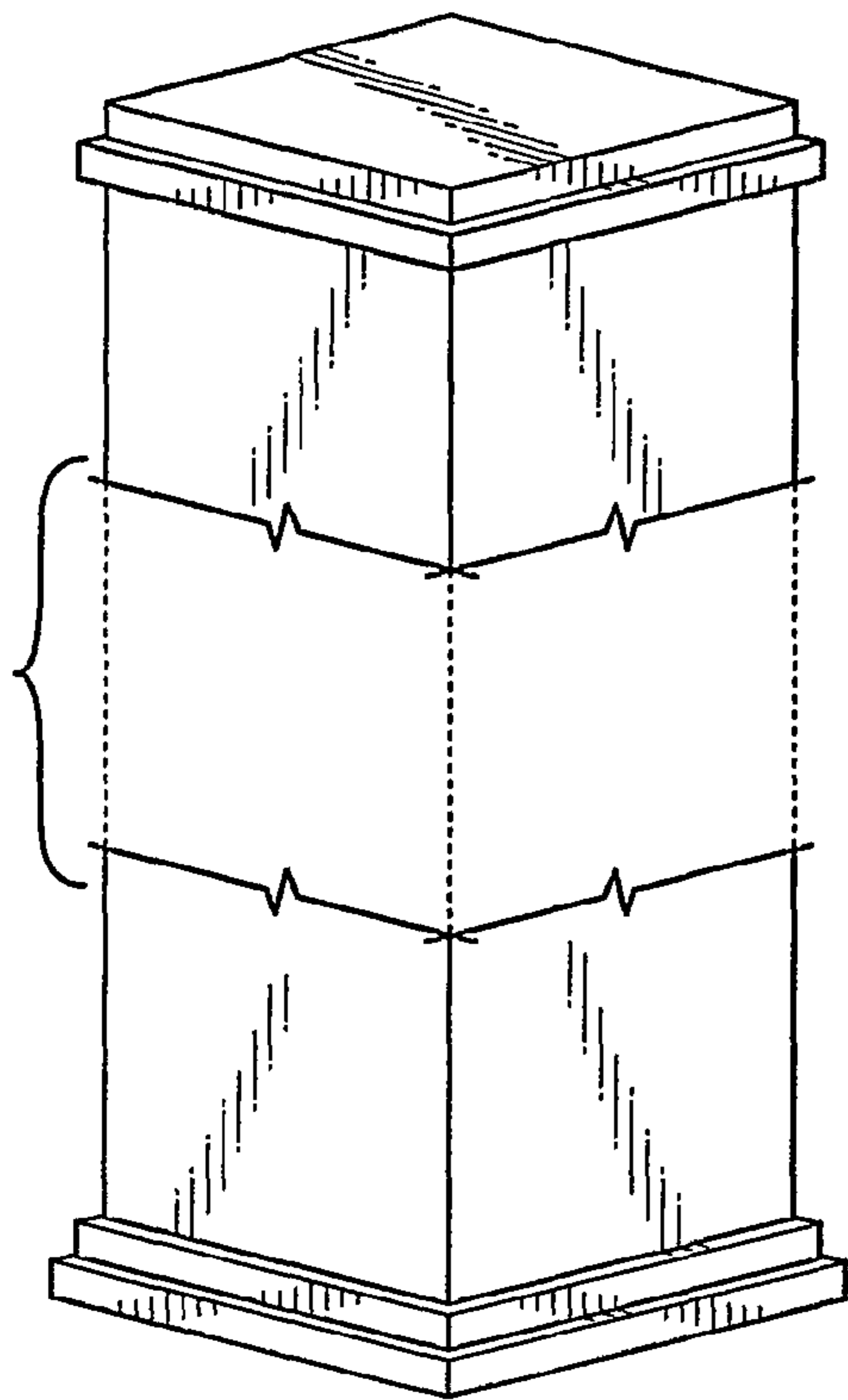


FIG. 1

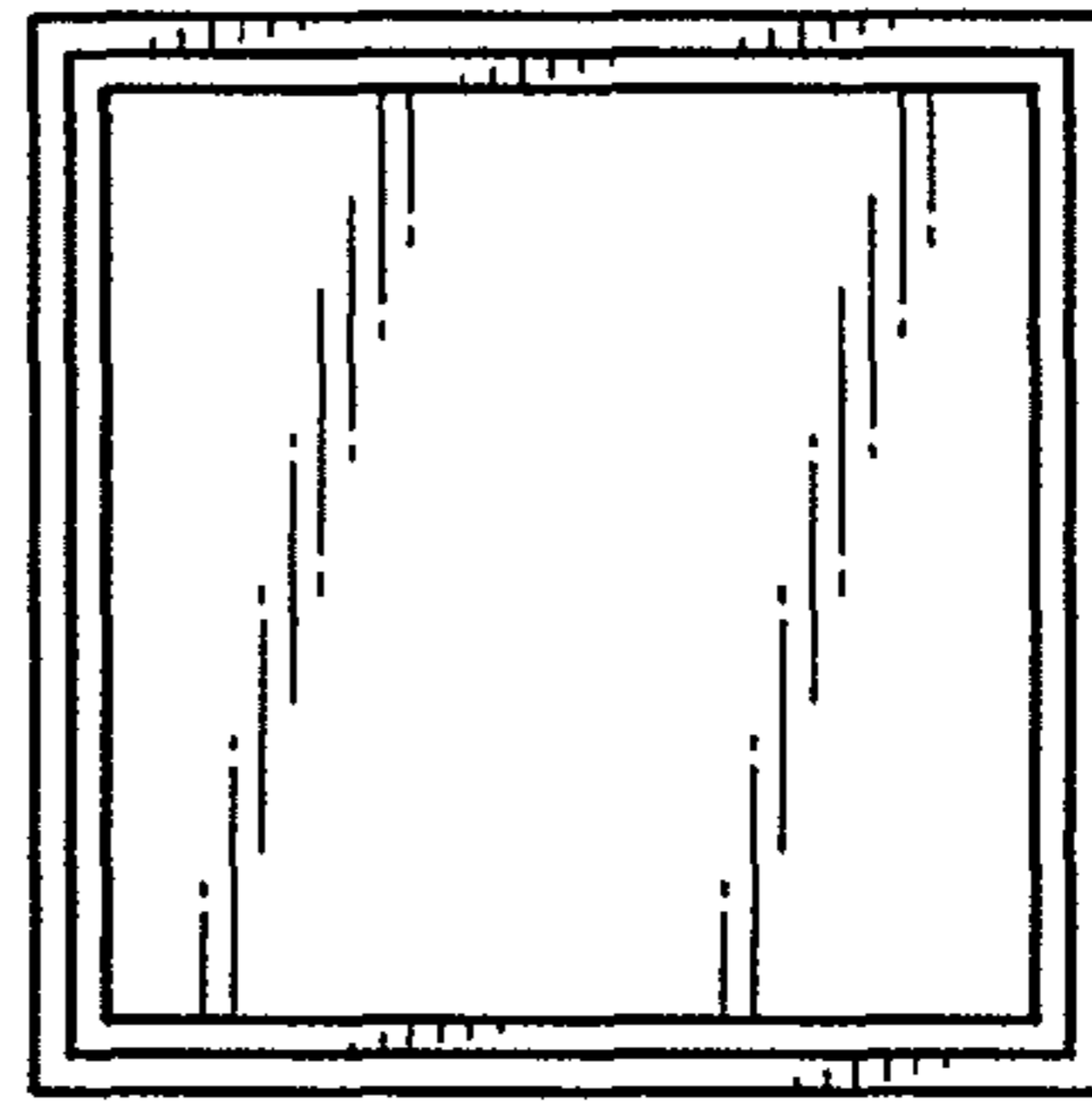


FIG. 2

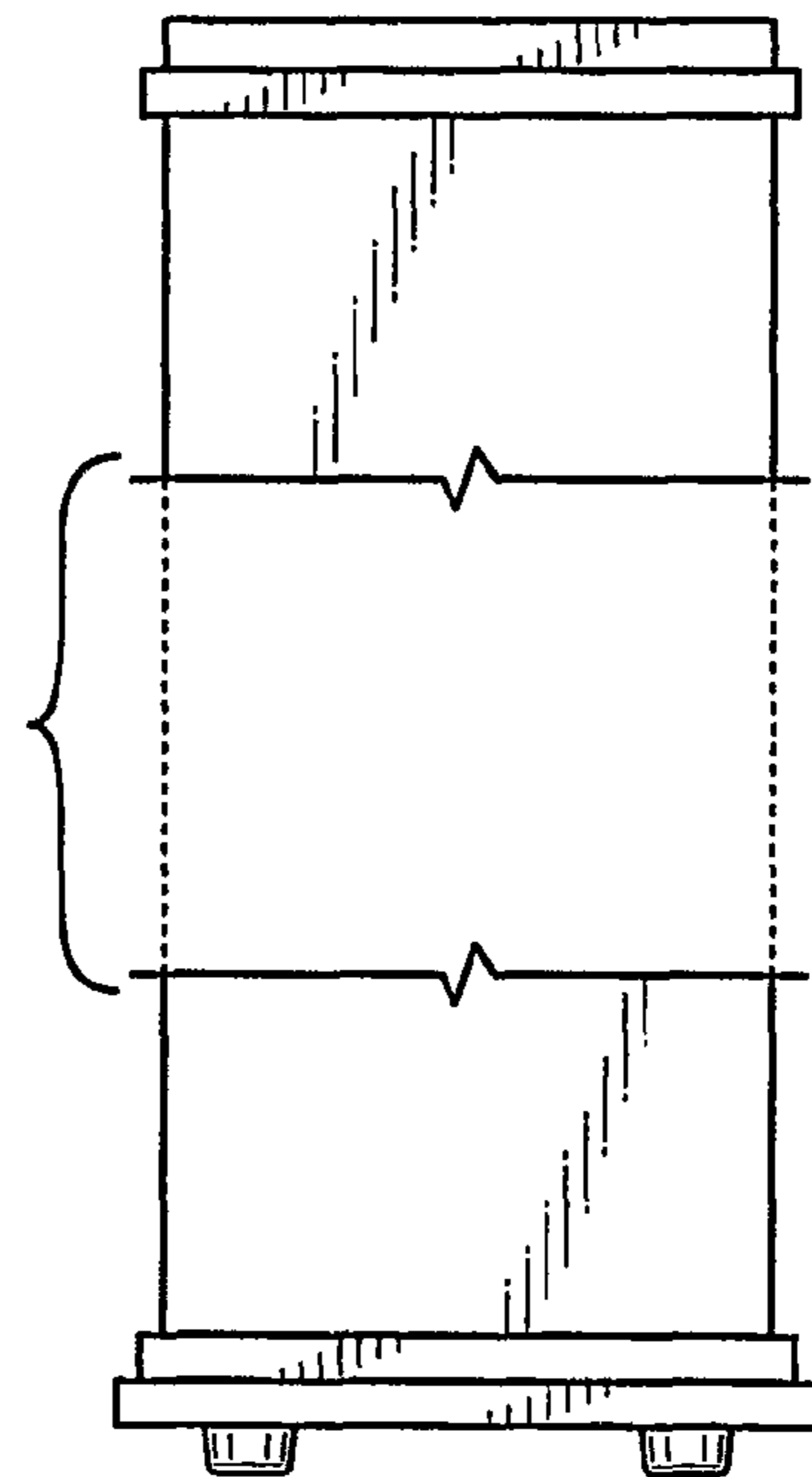


FIG. 3

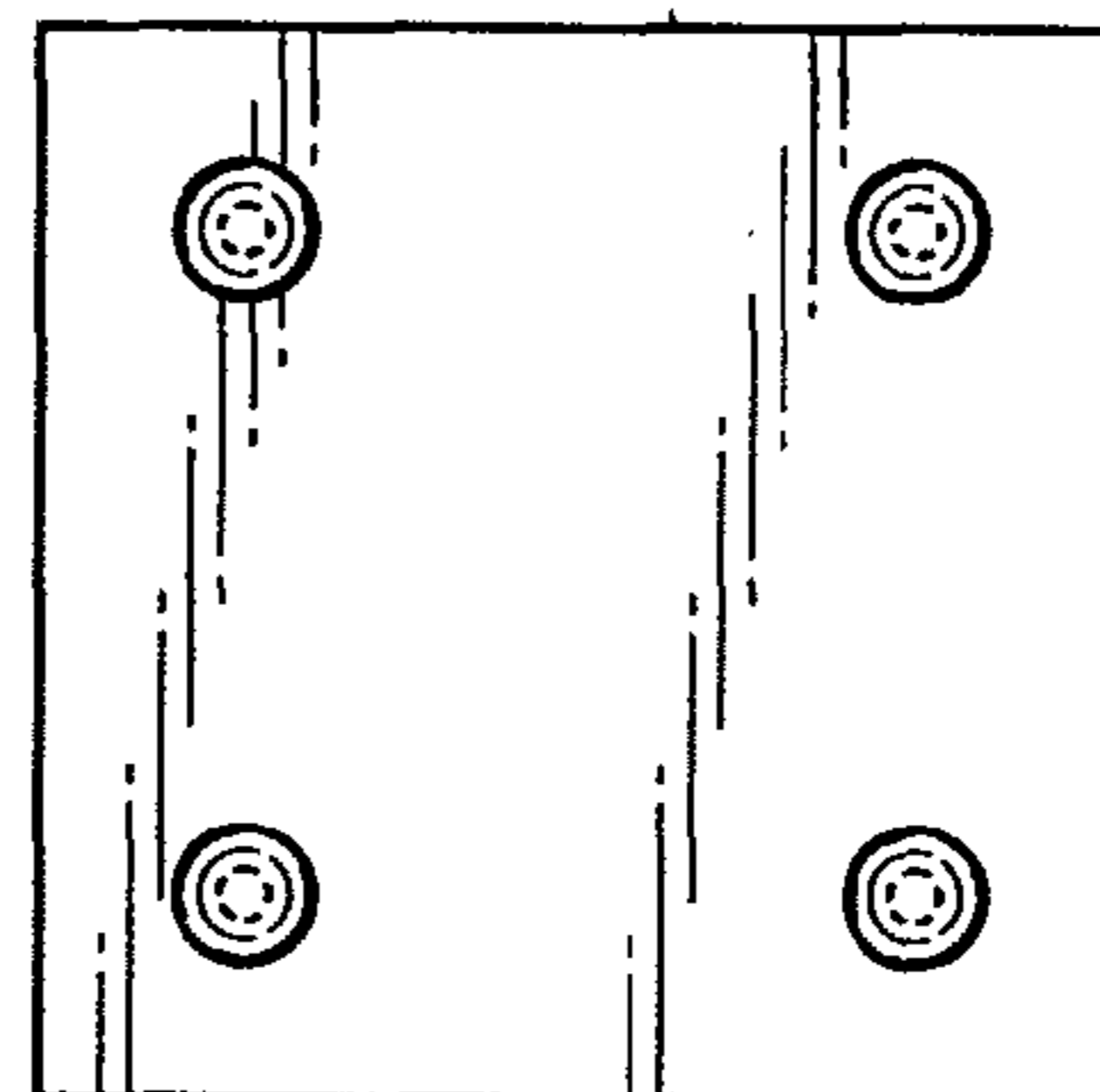


FIG. 4