



US00D718514S

(12) **United States Design Patent**
Erlenbach

(10) **Patent No.:** **US D718,514 S**

(45) **Date of Patent:** **** Nov. 25, 2014**

(54) **TOOL CADDY FOR AUTOMOBILE LIFT**

(71) Applicant: **Marc Erlenbach**, Brooklyn, NY (US)

(72) Inventor: **Marc Erlenbach**, Brooklyn, NY (US)

(**) Term: **14 Years**

(21) Appl. No.: **29/472,265**

(22) Filed: **Nov. 20, 2013**

(51) **LOC (10) Cl.** **12-05**

(52) **U.S. Cl.**
USPC **D34/35**

(58) **Field of Classification Search**
USPC D34/34, 33, 28, 35; D15/28; 187/222;
D3/228, 215, 304; 224/183, 411;
248/465.1, 451, 452, 454, 465, 447.2,
248/449; D12/420, 223; D14/154; 206/377,
206/376, 379, 818; D7/620; 280/33.992
See application file for complete search history.

(56) **References Cited**

U.S. PATENT DOCUMENTS

D307,824 S * 5/1990 Warren D12/420
D367,757 S * 3/1996 Liu D3/228
5,535,882 A * 7/1996 Liu 206/377

D537,228 S * 2/2007 DeMichele D34/35
2005/0199667 A1 * 9/2005 Cappellino et al. 224/411
2008/0237284 A1 * 10/2008 Peota et al. 224/411
2009/0145938 A1 * 6/2009 Kahn 224/183

* cited by examiner

Primary Examiner — Cynthia Ramirez

(74) *Attorney, Agent, or Firm* — Michael J. Feigin, Esq.;
Feigin & Associates, LLC

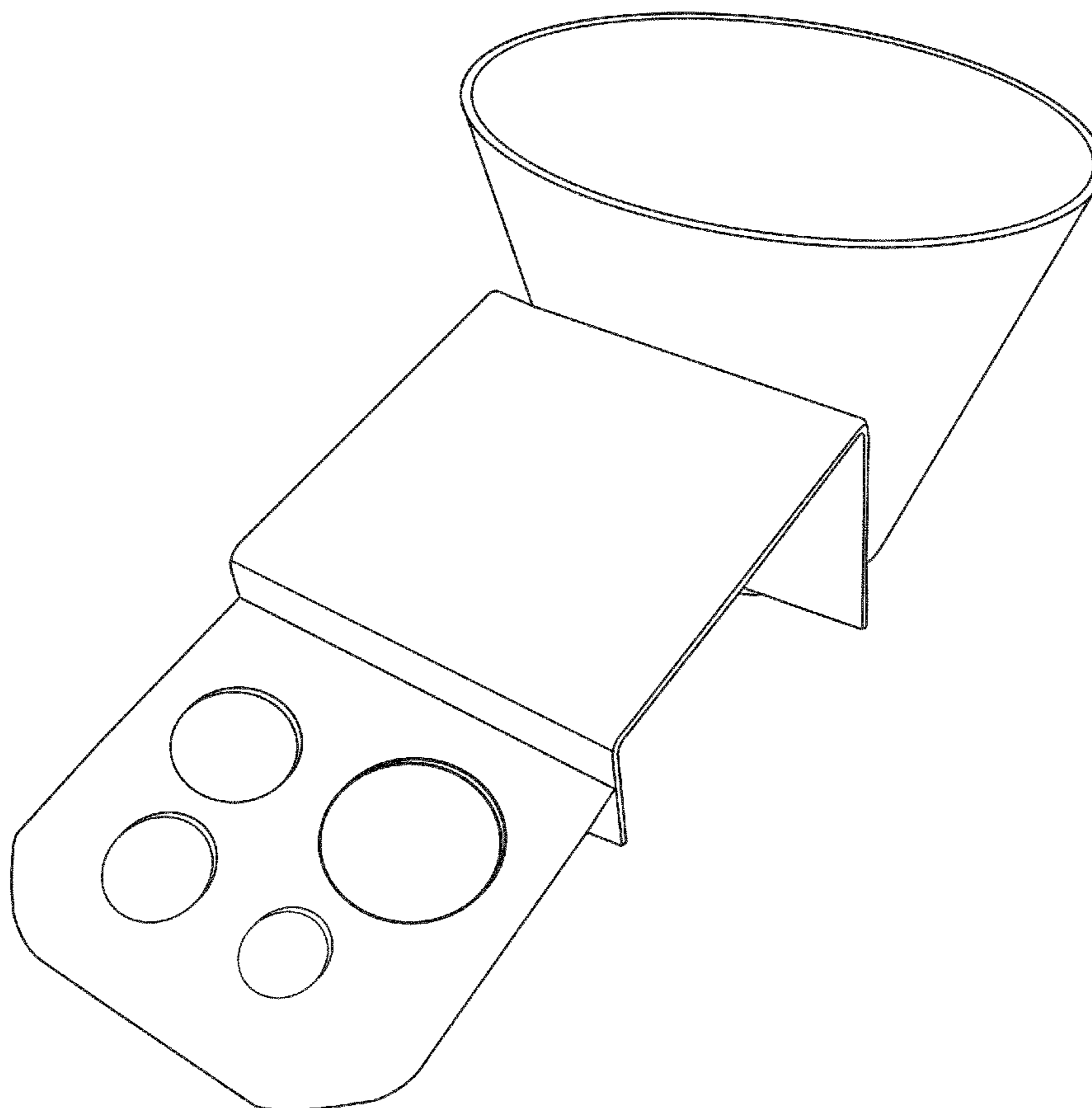
(57) **CLAIM**

The ornamental design for the tool caddy for automobile lift,
as shown and described.

DESCRIPTION

FIG. 1 shows a top perspective view of a tool caddy for automobile lift showing my new design.
FIG. 2 shows a bottom perspective view thereof.
FIG. 3 shows a top plan view thereof.
FIG. 4 shows a bottom plan view thereof.
FIG. 5 shows a left side elevation view thereof, the reverse side being a mirror image thereof.
FIG. 6 is a front perspective view thereof;
FIG. 7 shows a top and side perspective view thereof; and,
FIG. 8 shows a bottom and side perspective view thereof.

1 Claim, 8 Drawing Sheets



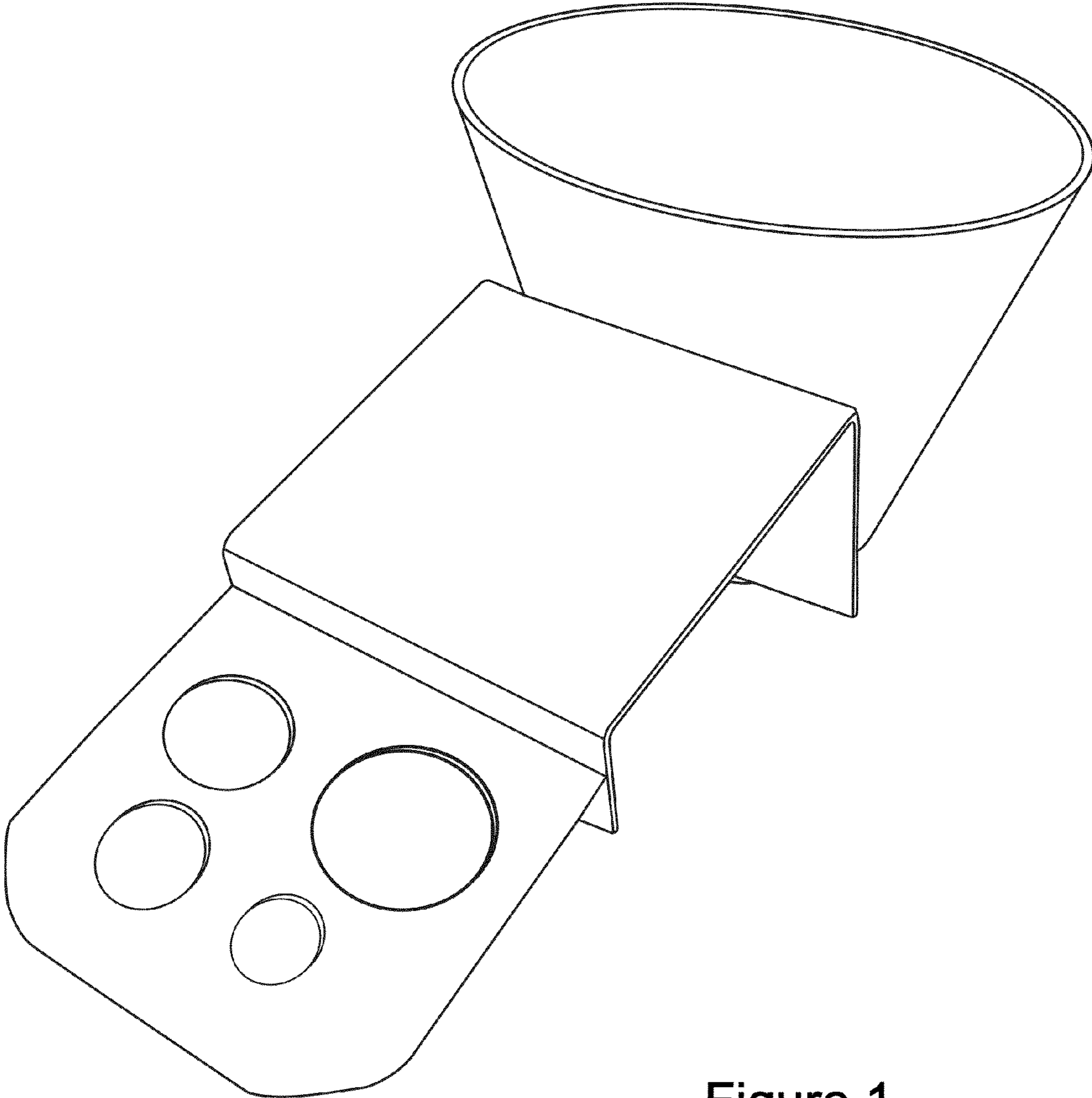


Figure 1

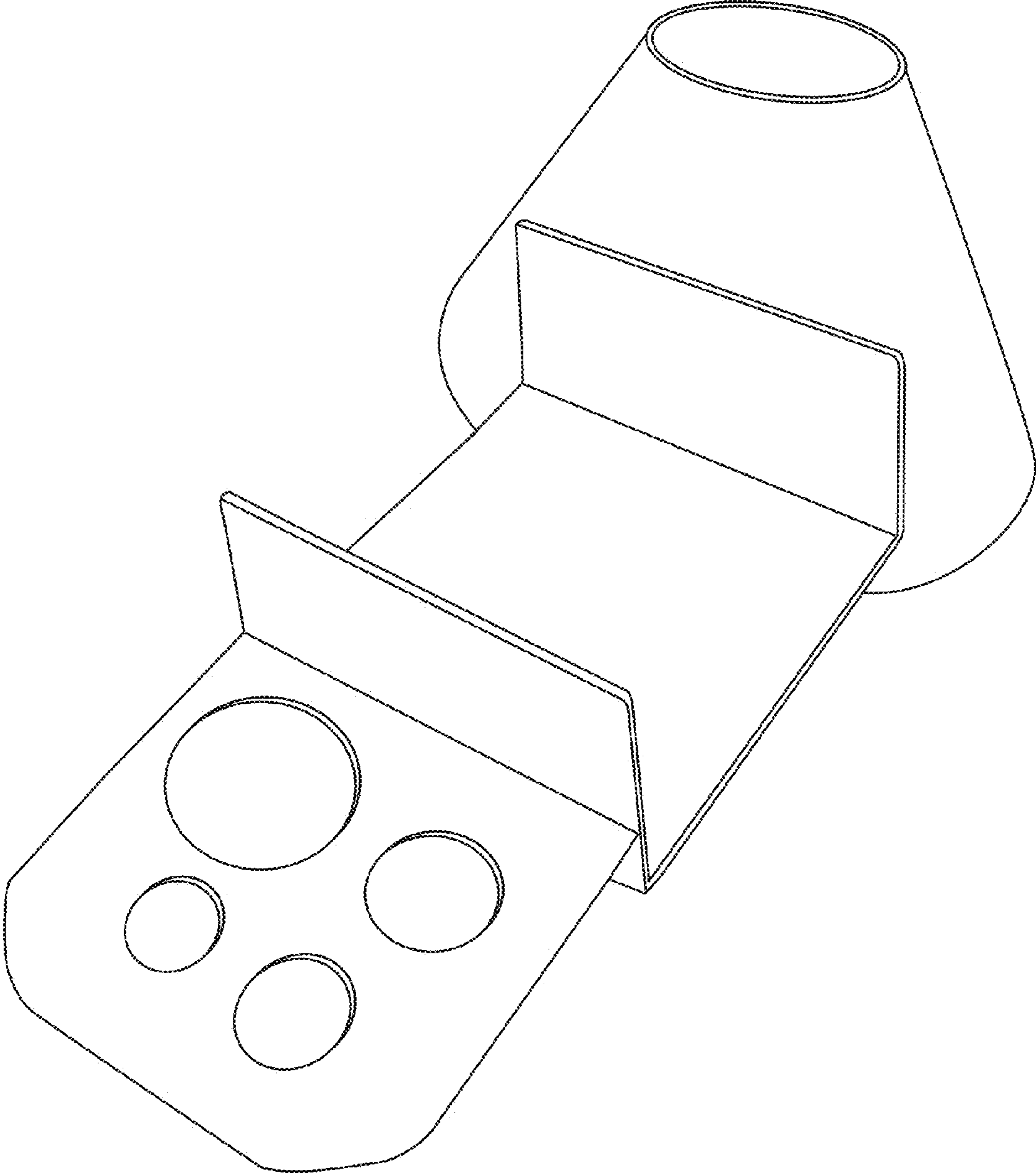


Figure 2

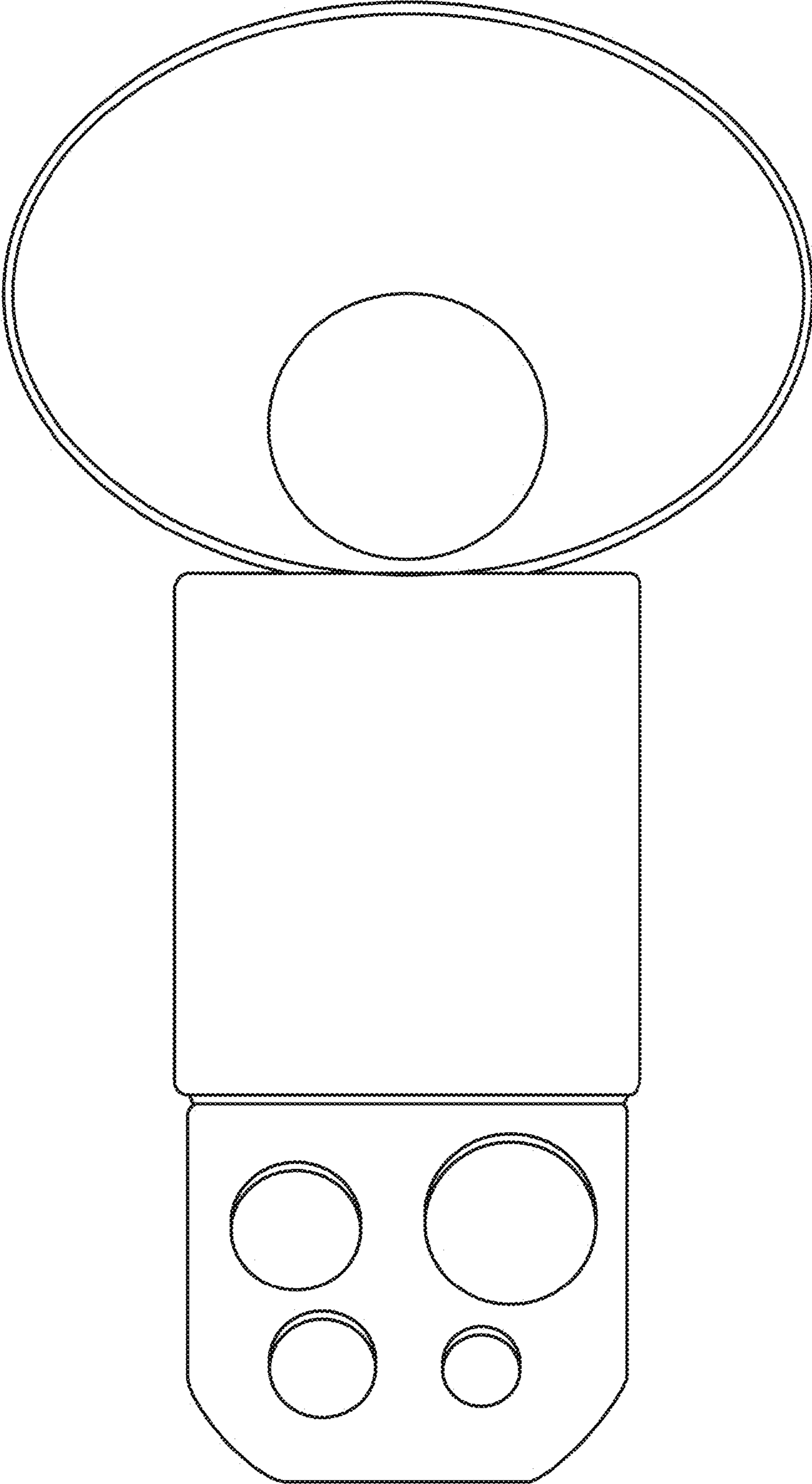


Figure 3

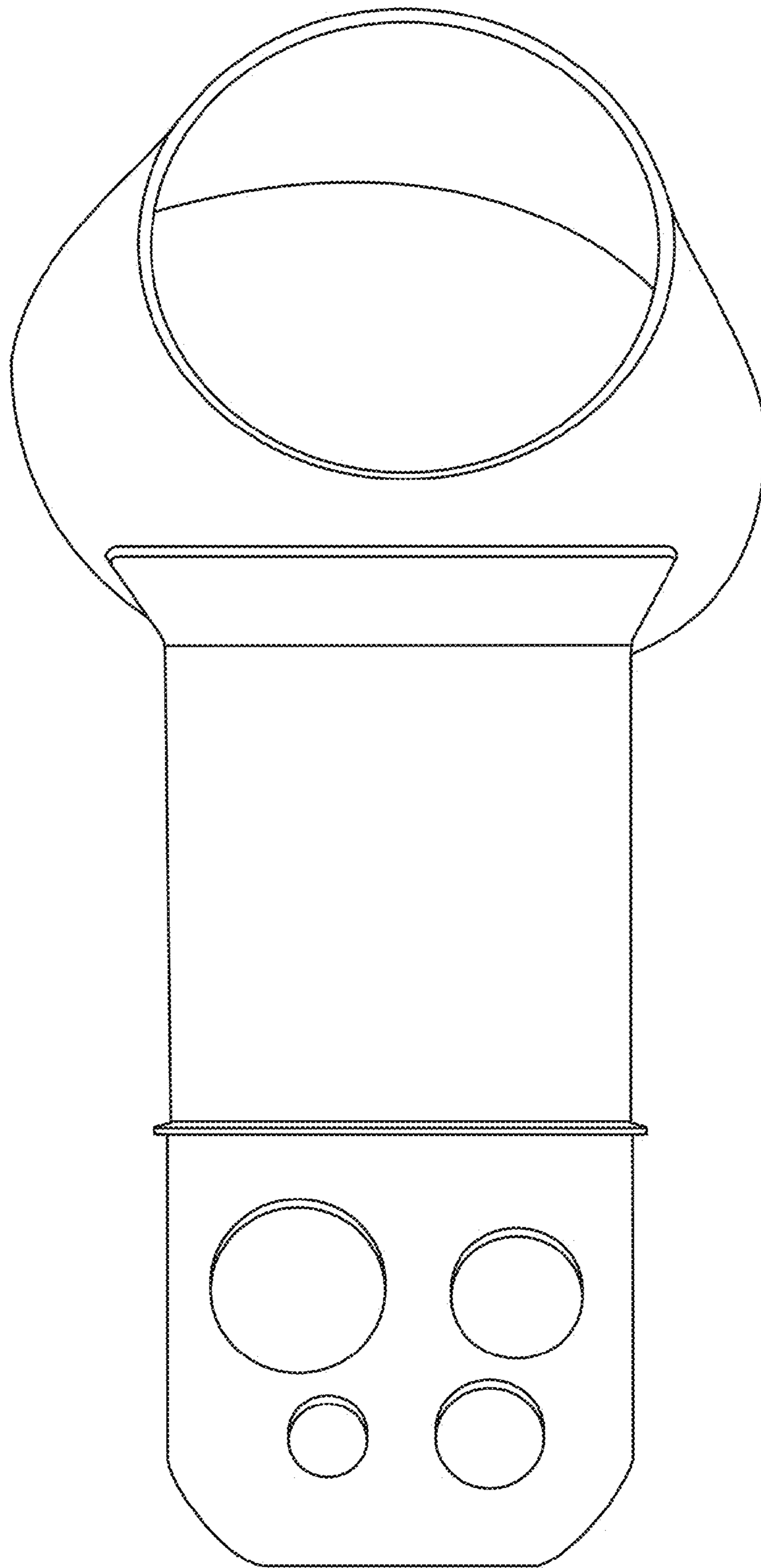


Figure 4

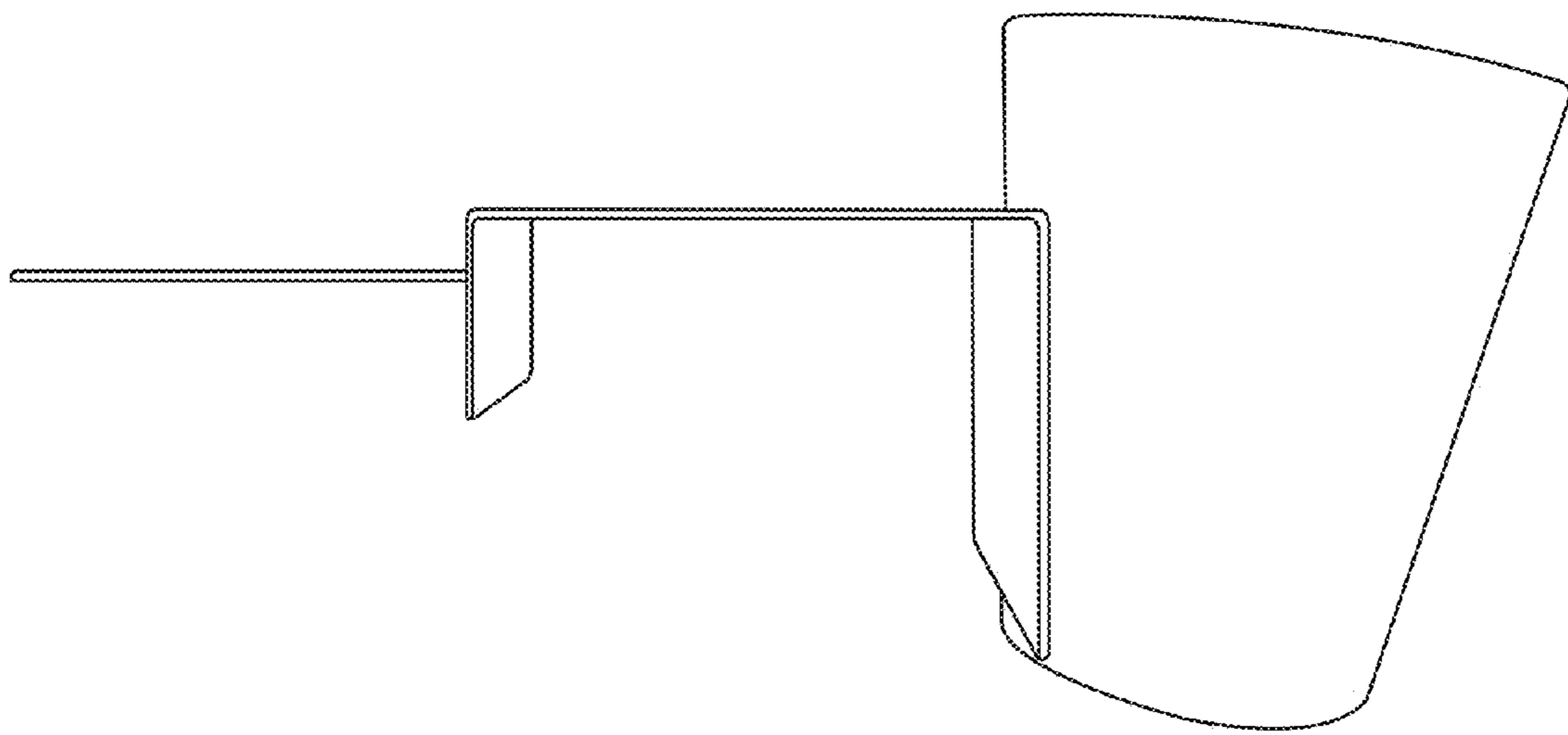


Figure 5

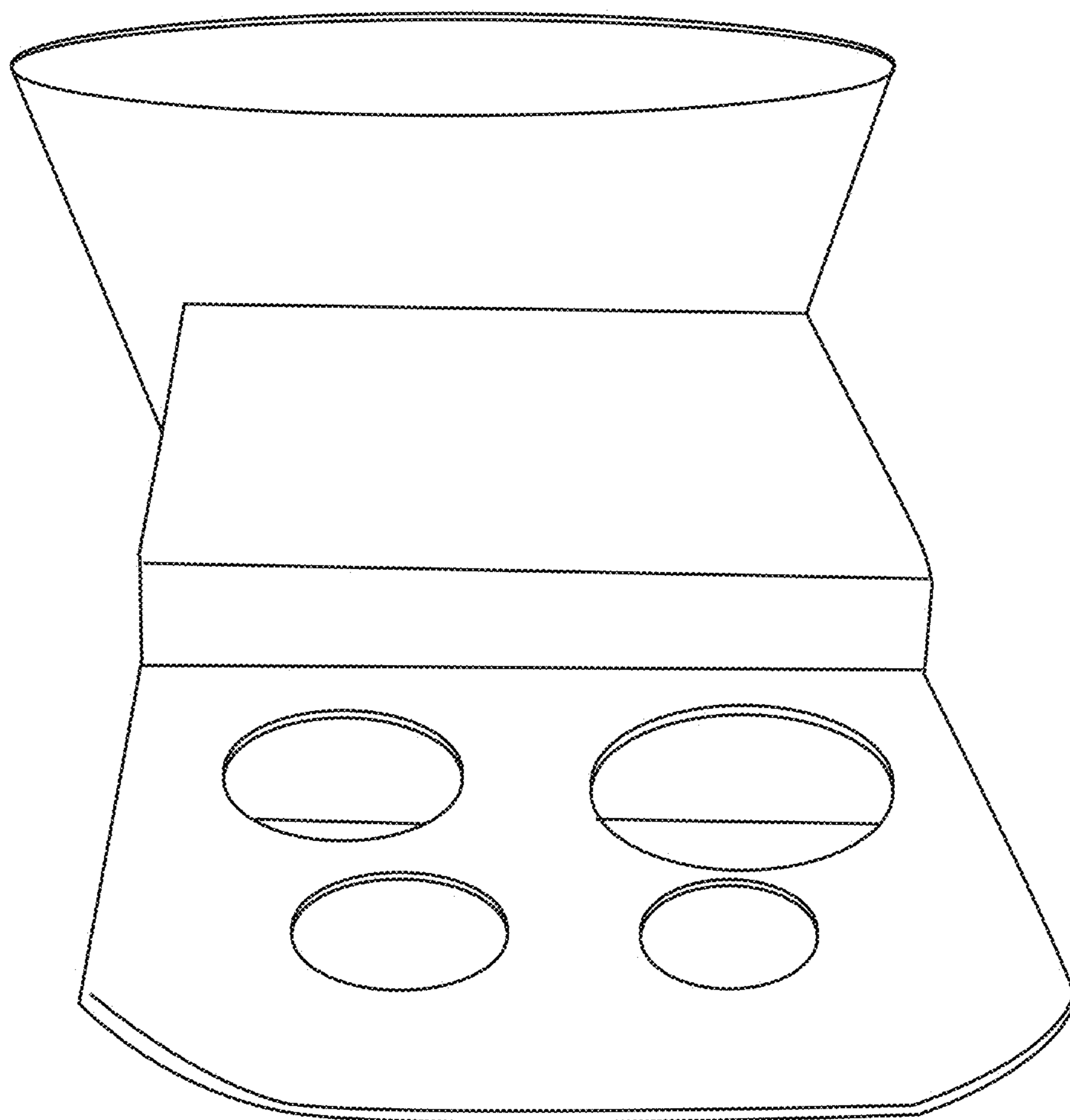


Figure 6

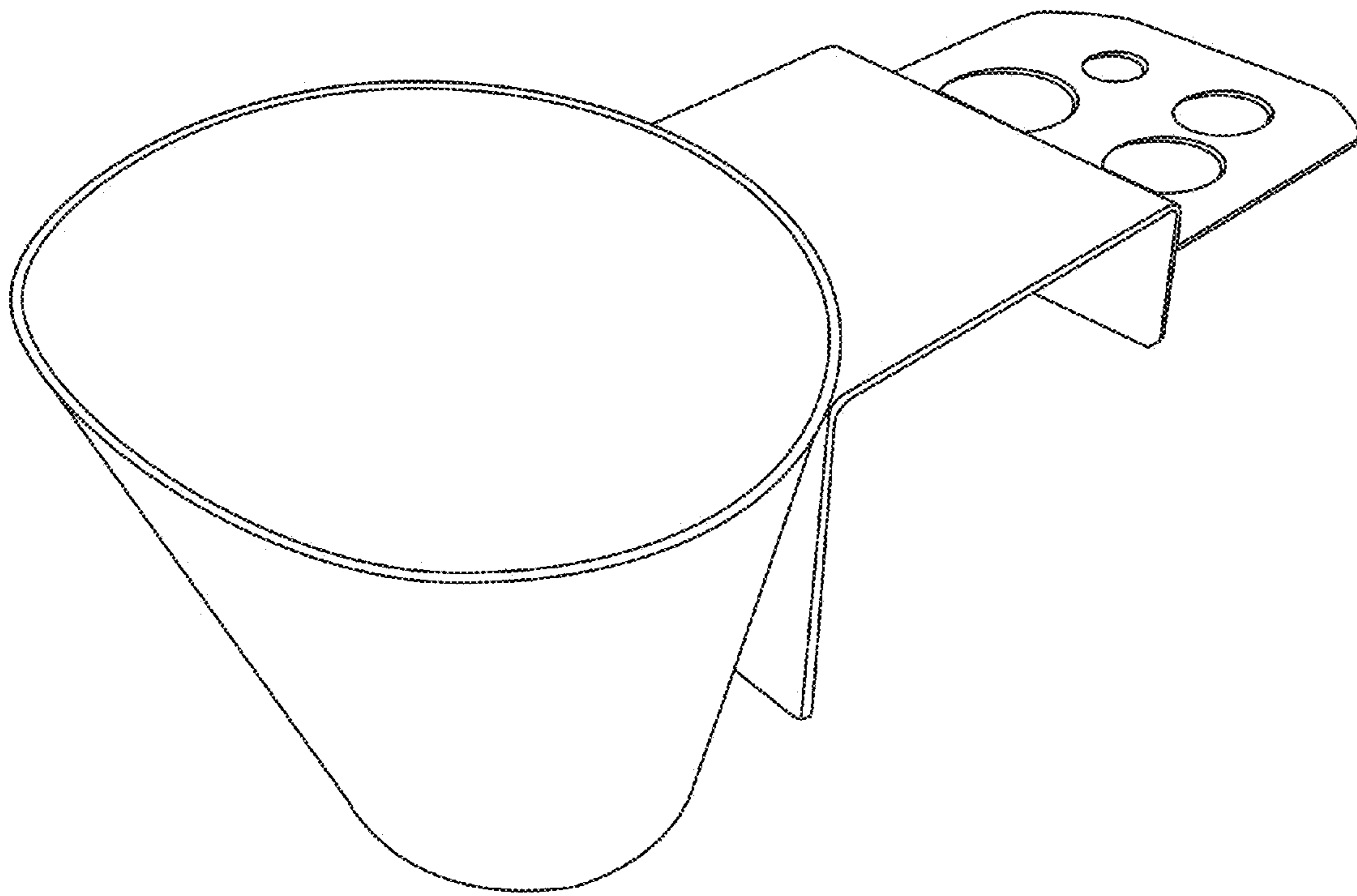


Figure 7

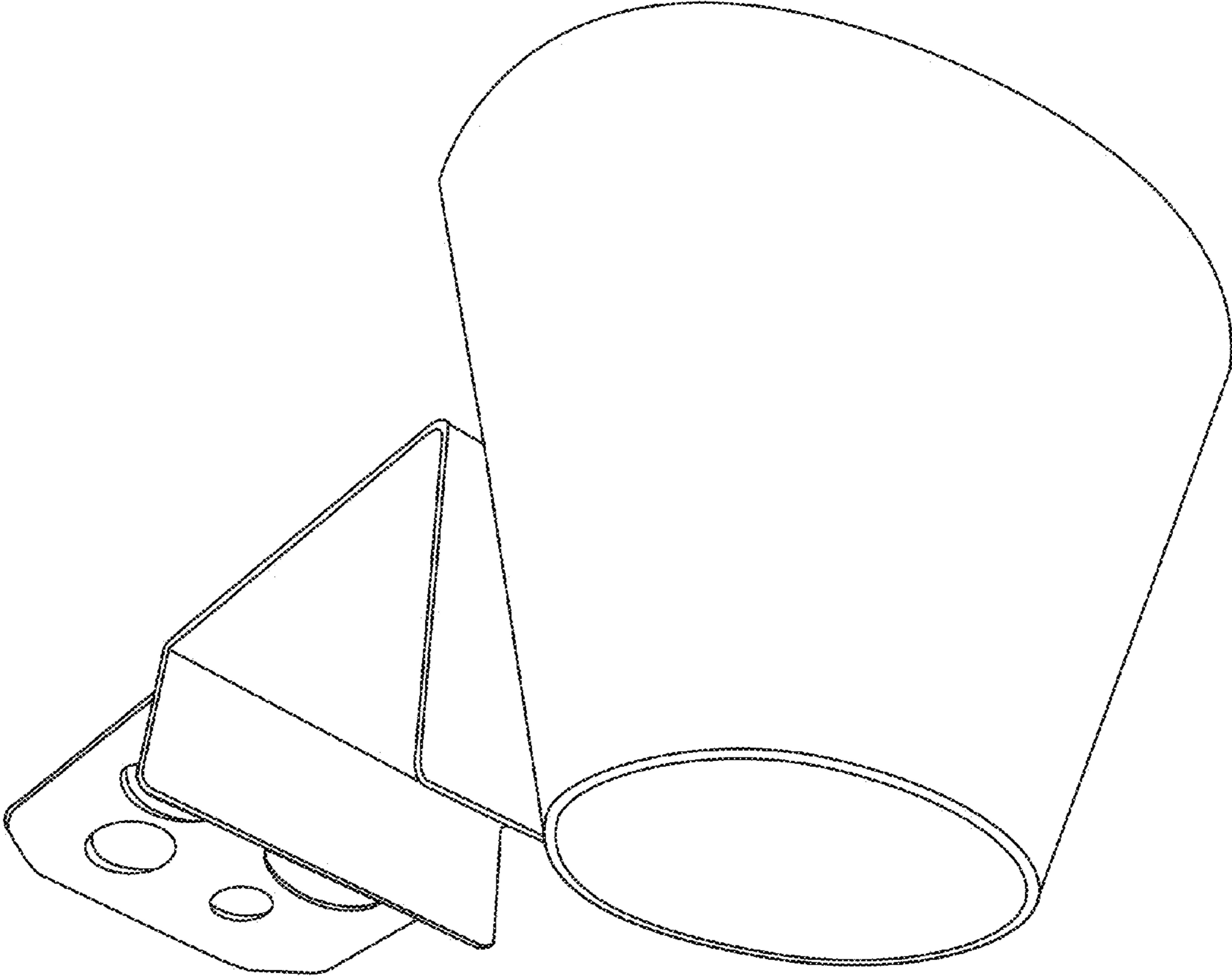


Figure 8