



US00D718513S

(12) **United States Design Patent**  
**Arzouman et al.**

(10) **Patent No.:** **US D718,513 S**

(45) **Date of Patent:** **\*\* Nov. 25, 2014**

(54) **COMMERCIAL RACK FOR TRANSPORTING JACK STANDS**

(71) Applicants: **Harry H. Arzouman**, Corona del Mar, CA (US); **David J. Arzouman**, Corona del Mar, CA (US)

(72) Inventors: **Harry H. Arzouman**, Corona del Mar, CA (US); **David J. Arzouman**, Corona del Mar, CA (US)

(\*\*) Term: **14 Years**

(21) Appl. No.: **29/463,385**

(22) Filed: **Nov. 4, 2013**

(51) **LOC (10) Cl.** ..... **12-02**

(52) **U.S. Cl.**  
USPC ..... **D34/24**

(58) **Field of Classification Search**  
USPC ..... D34/12-27, 31, 28; 280/47.11, 47.16, 280/47.24, 47.27, 79.11, 47.18, 33.998, 280/79.3

See application file for complete search history.

(56) **References Cited**

U.S. PATENT DOCUMENTS

2,977,130	A *	3/1961	Jordan	.....	280/47.18
D340,334	S *	10/1993	Kean et al.	.....	D34/17
D383,582	S *	9/1997	Sinclair, Jr.	.....	D34/18
D396,918	S *	8/1998	Golichowski et al.	.....	D34/12
D419,741	S *	1/2000	Johansson	.....	D34/28
D669,242	S *	10/2012	Baldemor et al.	.....	D34/12
8,292,309	B2 *	10/2012	Fan et al.	.....	280/43.14
D685,154	S *	6/2013	Ambrefe et al.	.....	D34/12
D699,015	S *	2/2014	McCall et al.	.....	D34/12

\* cited by examiner

*Primary Examiner* — Cynthia Ramirez

(74) *Attorney, Agent, or Firm* — Roger C Turner

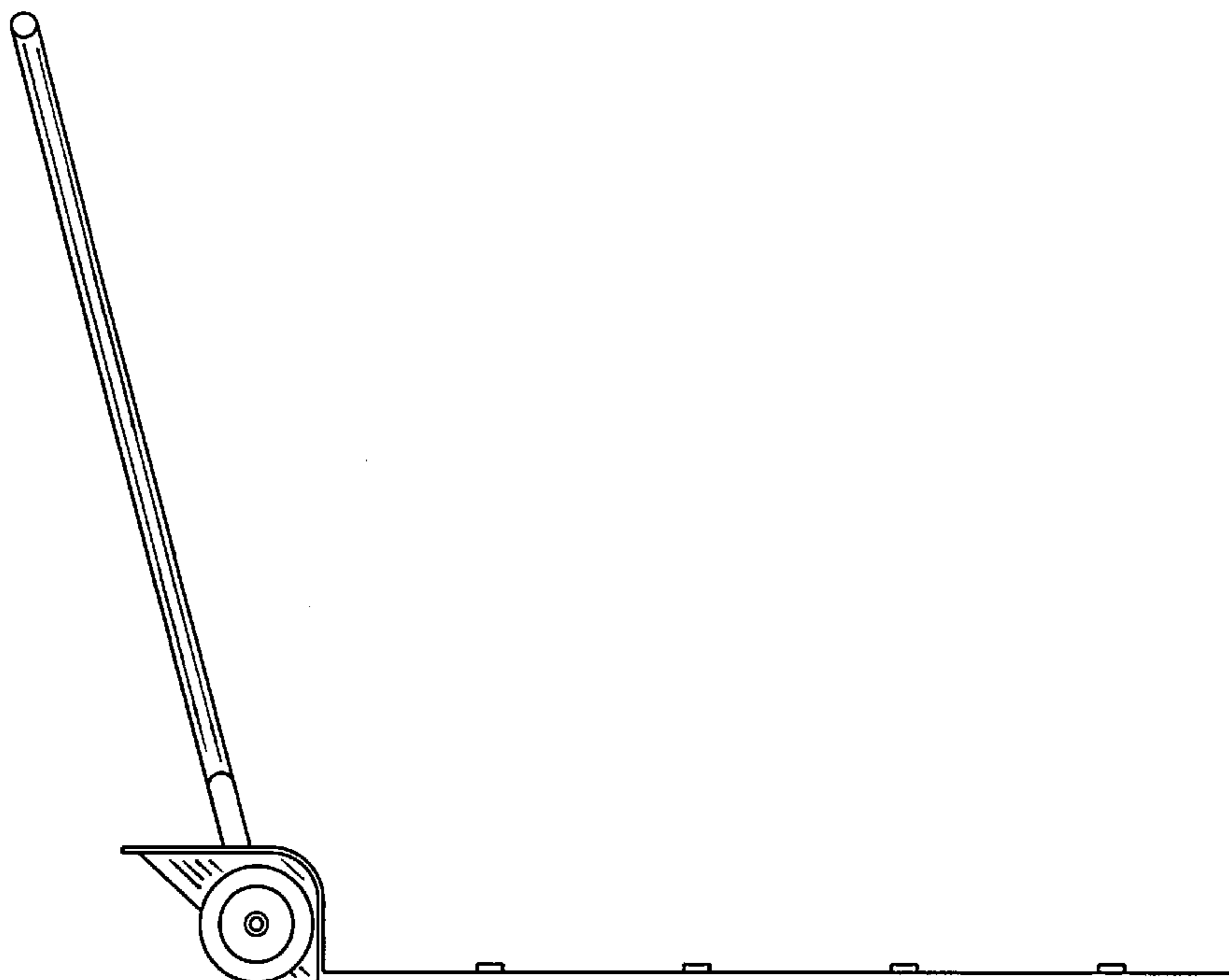
(57) **CLAIM**

The ornamental design for a commercial rack for transporting jack stands, as shown and described.

**DESCRIPTION**

FIG. 1 is a left side elevational view of a commercial rack for transporting jack stands of the present invention; FIG. 2 is a right side elevational view; FIG. 3 is a top plan view; FIG. 4 is a bottom view; FIG. 5 is a front elevational view; and, FIG. 6 is a rear elevational view of the present invention.

**1 Claim, 6 Drawing Sheets**



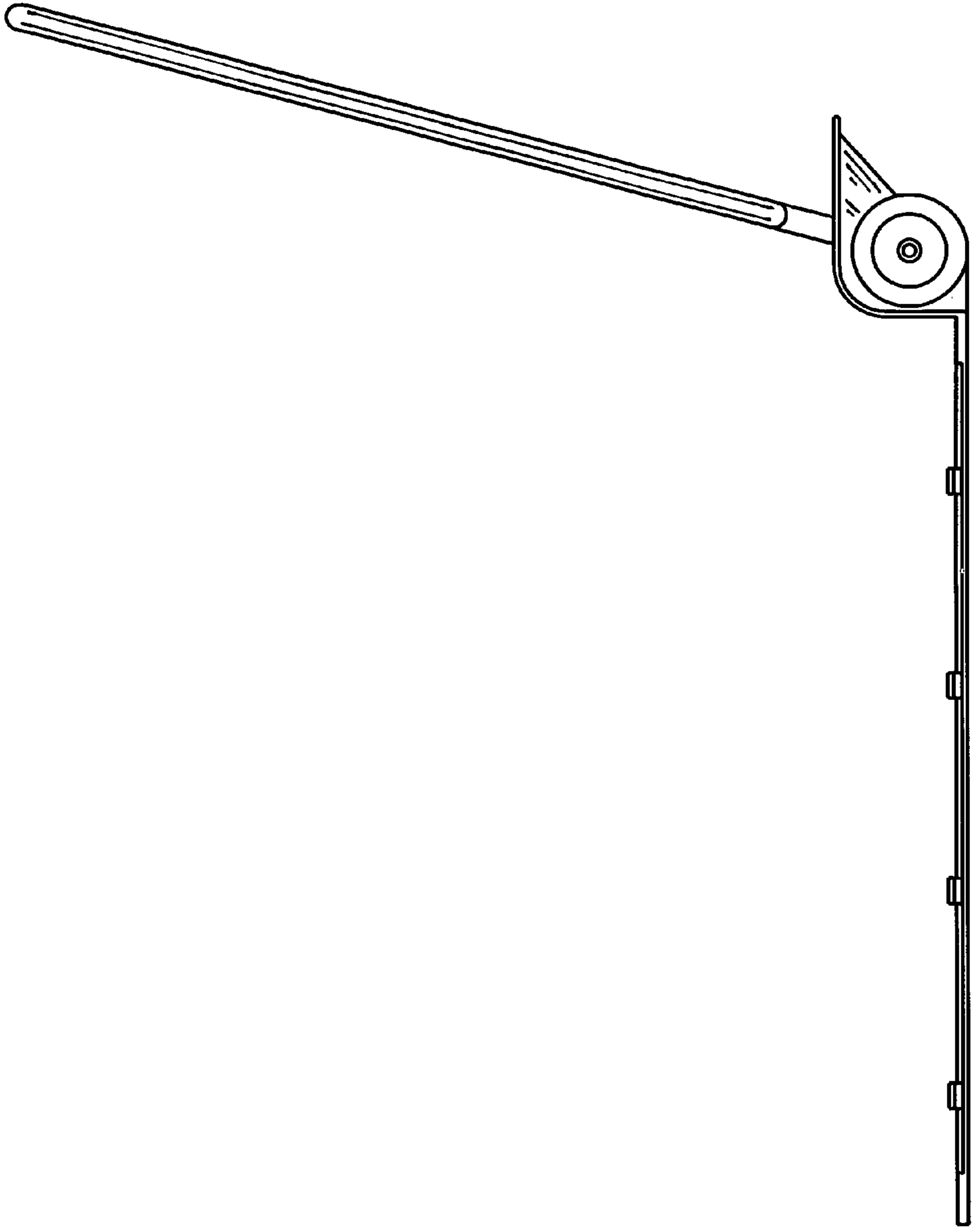


FIG. 1

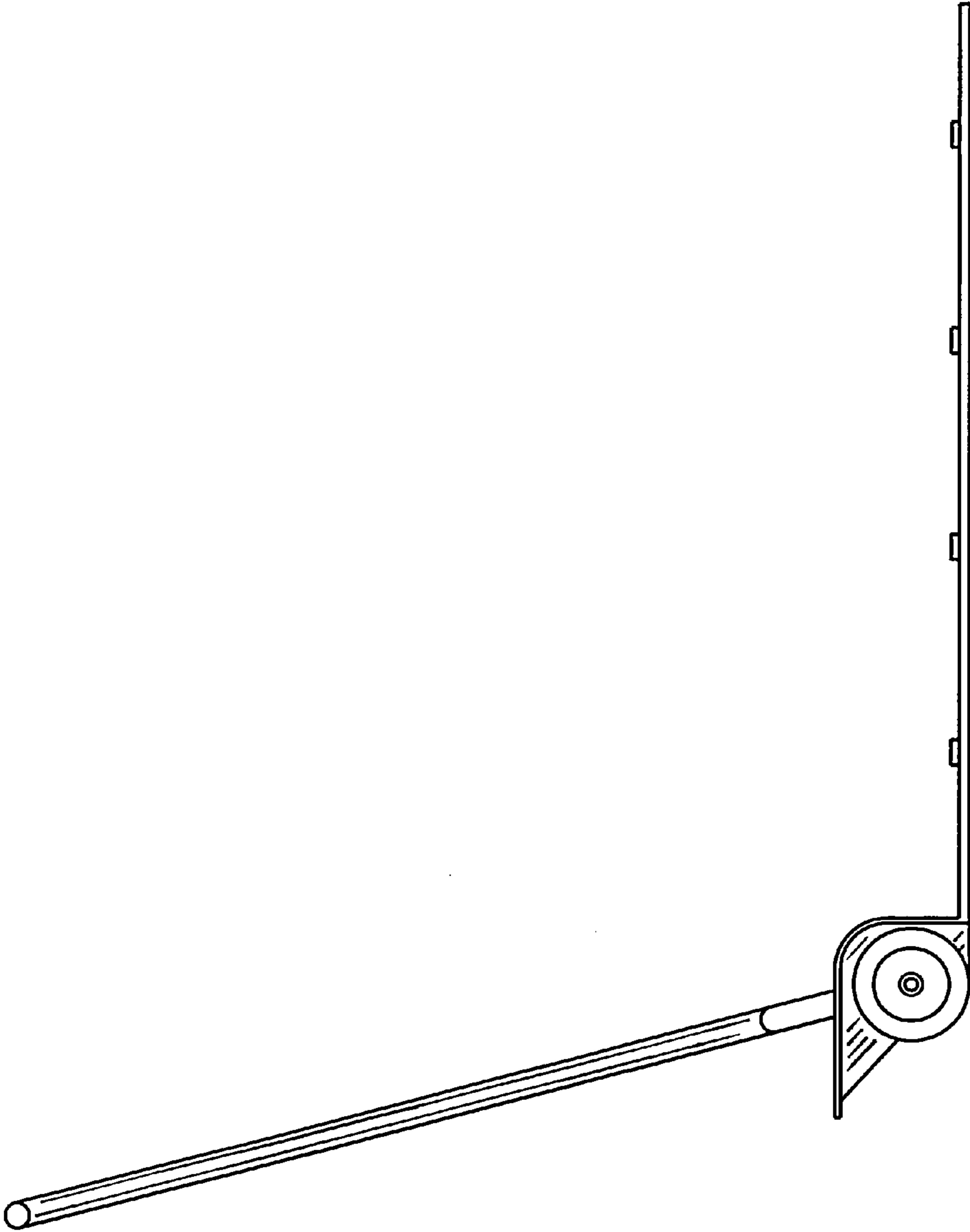


FIG. 2

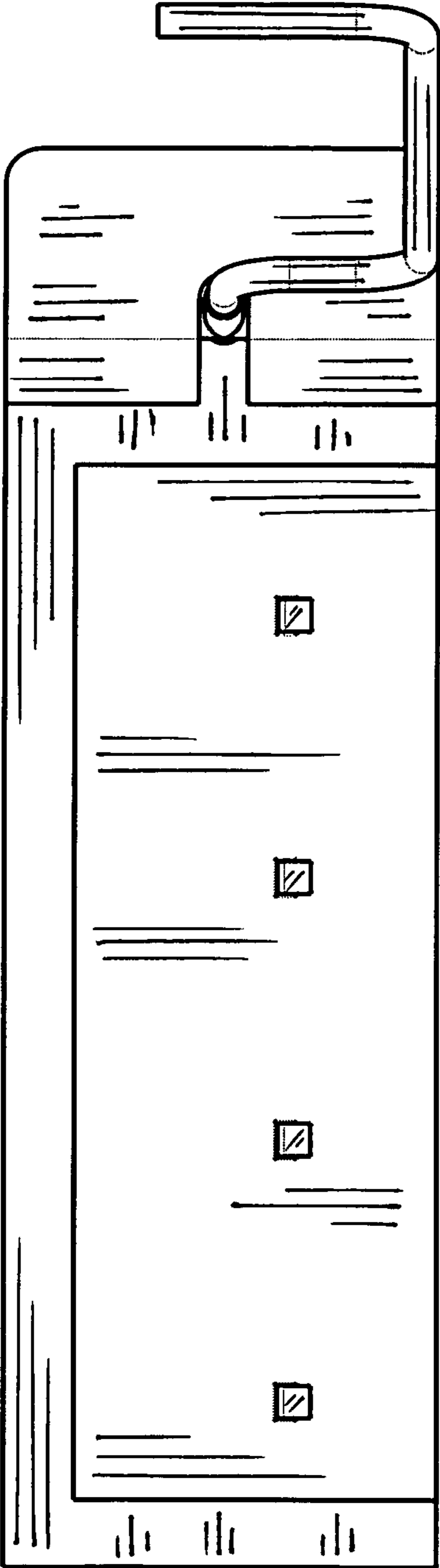


FIG. 3

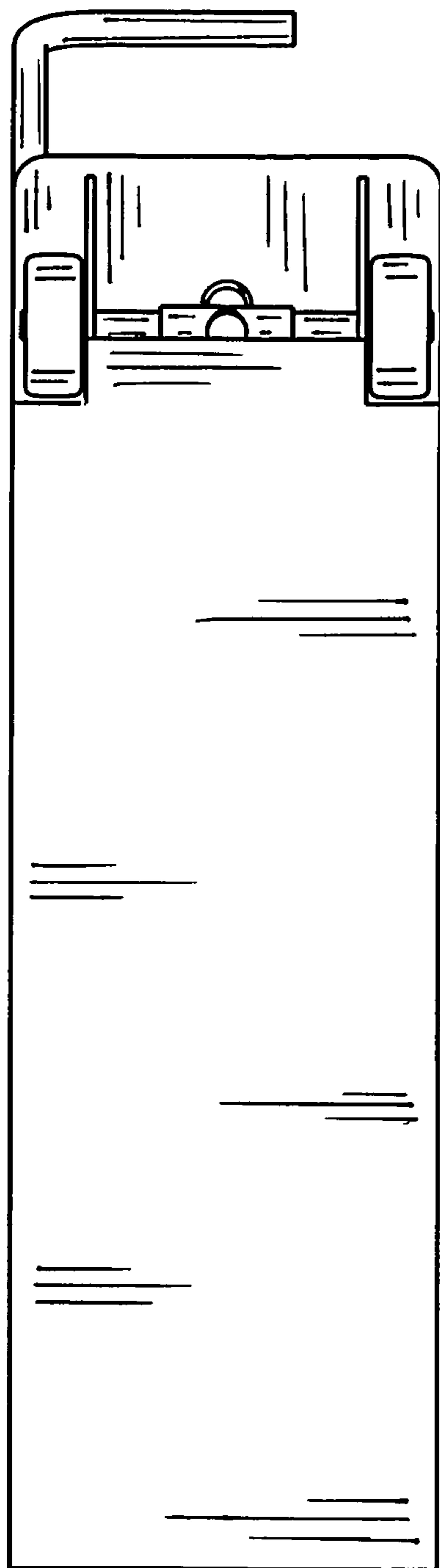


FIG. 4

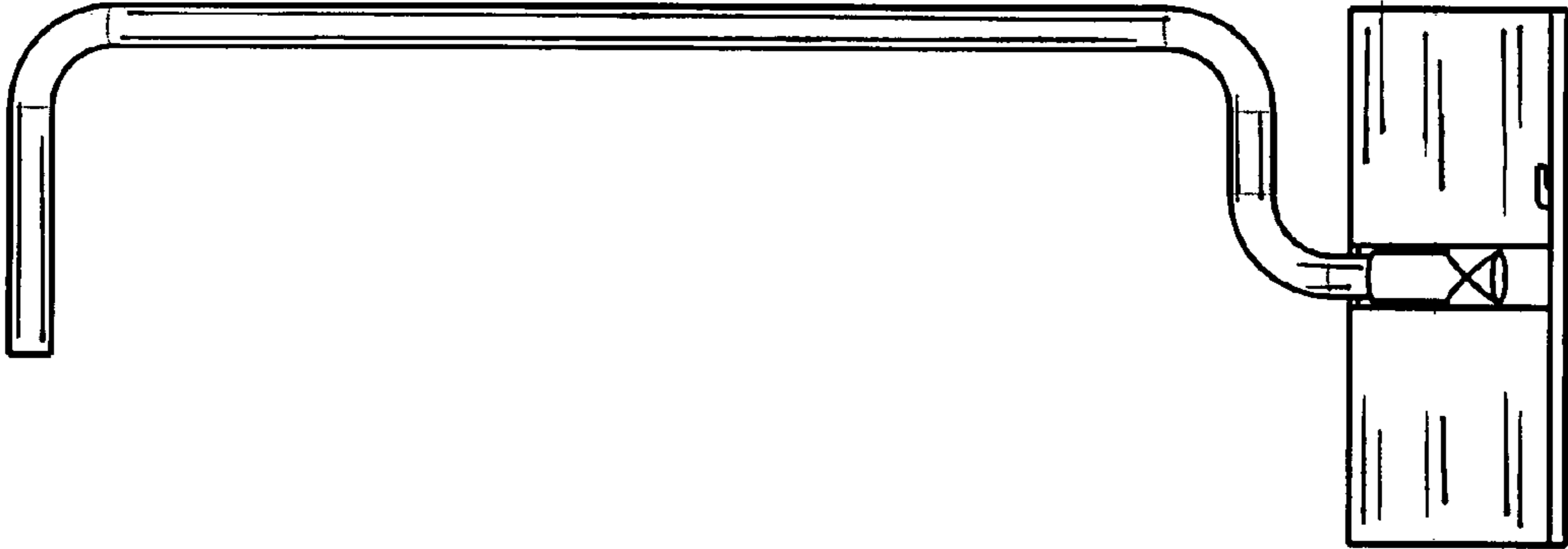


FIG. 5



FIG. 6