



US00D718511S

(12) **United States Design Patent**
Ouyang

(10) **Patent No.:** **US D718,511 S**

(45) **Date of Patent:** **** Nov. 25, 2014**

(54) **CLOTHES AIRER**

(56) **References Cited**

(71) Applicant: **Ningbo Edeans Heating Systems Manufacturing Co., Ltd.**, Zhejiang Province (CN)

(72) Inventor: **Yahong Ouyang**, Zhejiang Province (CN)

(73) Assignee: **Ningbo Edeans Heating Systems Manufacturing Co., Ltd.**, Zhejiang Province (CN)

(**) Term: **14 Years**

(21) Appl. No.: **29/497,176**

(22) Filed: **Jul. 22, 2014**

(30) **Foreign Application Priority Data**

Jan. 26, 2014 (CN) 2014 3 0021452

(51) **LOC (10) Cl.** **07-05**

(52) **U.S. Cl.**
USPC **D32/58**

(58) **Field of Classification Search**
USPC D32/55, 276, 3, 58; D6/510, 525;
211/41.5, 41.4, 41.3, 41.8, 195, 200;
361/679.4; 312/311, 333, 334.4;
D7/354, 629, 368

See application file for complete search history.

U.S. PATENT DOCUMENTS

2,406,638	A *	8/1946	Schissel	211/200
2,624,469	A *	1/1953	Adamson et al.	108/116
4,131,205	A *	12/1978	Malecki	211/200
4,239,280	A *	12/1980	Ackerman	297/18
4,297,795	A *	11/1981	Licari	34/239
D267,768	S *	2/1983	Duggan	D7/368
4,807,766	A *	2/1989	Compagnucci	211/198
D322,698	S *	12/1991	Cassel	D32/58
5,372,266	A *	12/1994	Fisher	211/189
6,283,314	B1 *	9/2001	Loguercio	211/200
D546,013	S *	7/2007	Pong	D32/58
D564,165	S *	3/2008	King et al.	D32/58
D650,542	S *	12/2011	Kontorovich et al.	D32/58
D655,877	S *	3/2012	Greenway et al.	D32/58
8,286,810	B2 *	10/2012	Sabounjian	211/200
8,602,229	B2 *	12/2013	Raghunathan et al. ..	211/119.01
D707,472	S *	6/2014	Wehner et al.	D6/675.1

* cited by examiner

Primary Examiner — Austin Murphy

(74) *Attorney, Agent, or Firm* — Prakash Nama; Global IP Services, PLLC

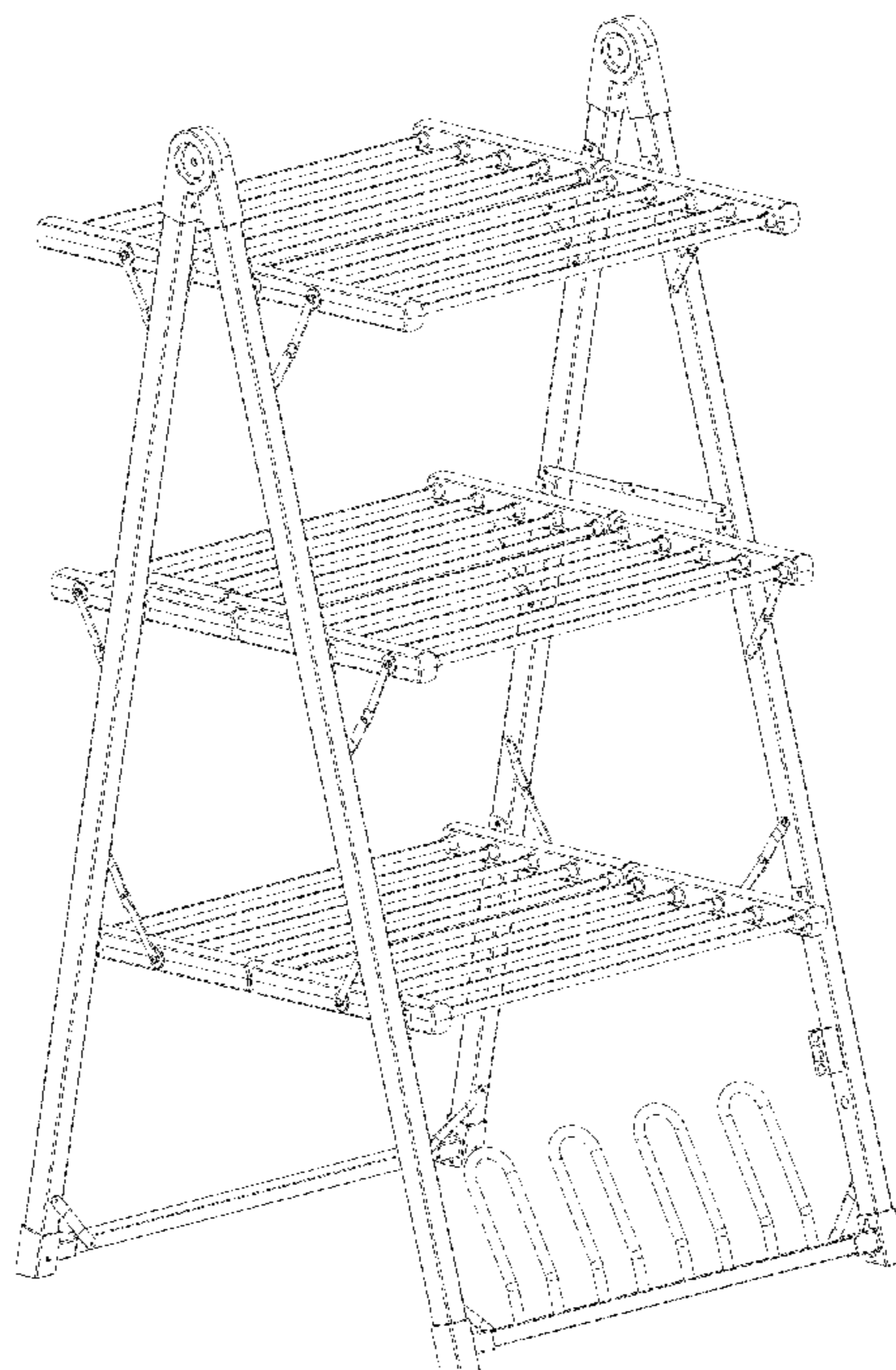
(57) **CLAIM**

The ornamental design for a clothes airer, as shown.

DESCRIPTION

FIG. 1 is a front elevational view of a clothes airer showing my new design;
FIG. 2 is a rear elevational view thereof;
FIG. 3 is a left side view thereof;
FIG. 4 is a right side view thereof;
FIG. 5 is a top plan view thereof;
FIG. 6 is a bottom plan view thereof; and,
FIG. 7 is a perspective view thereof.

1 Claim, 6 Drawing Sheets



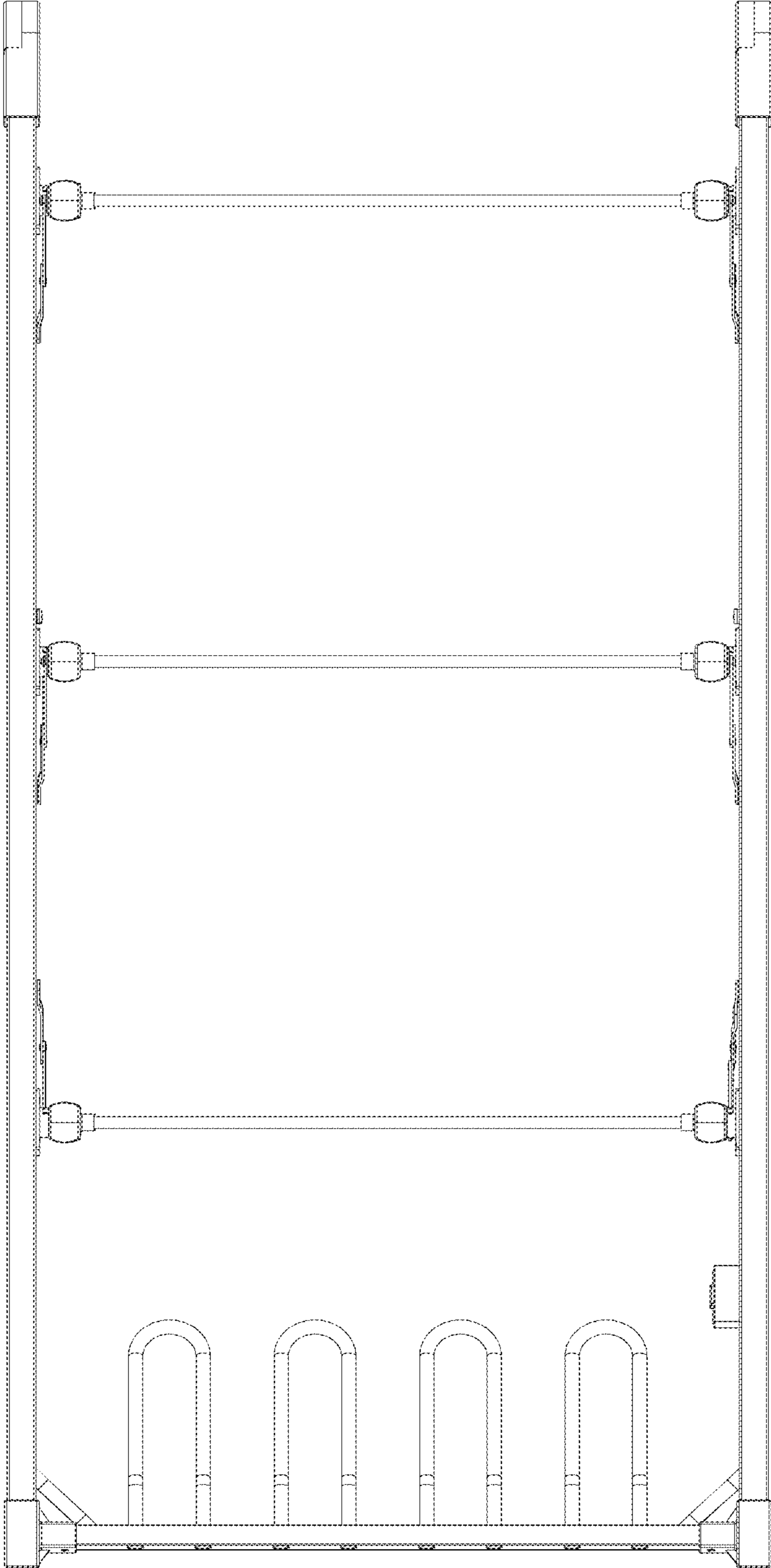


FIG. 1

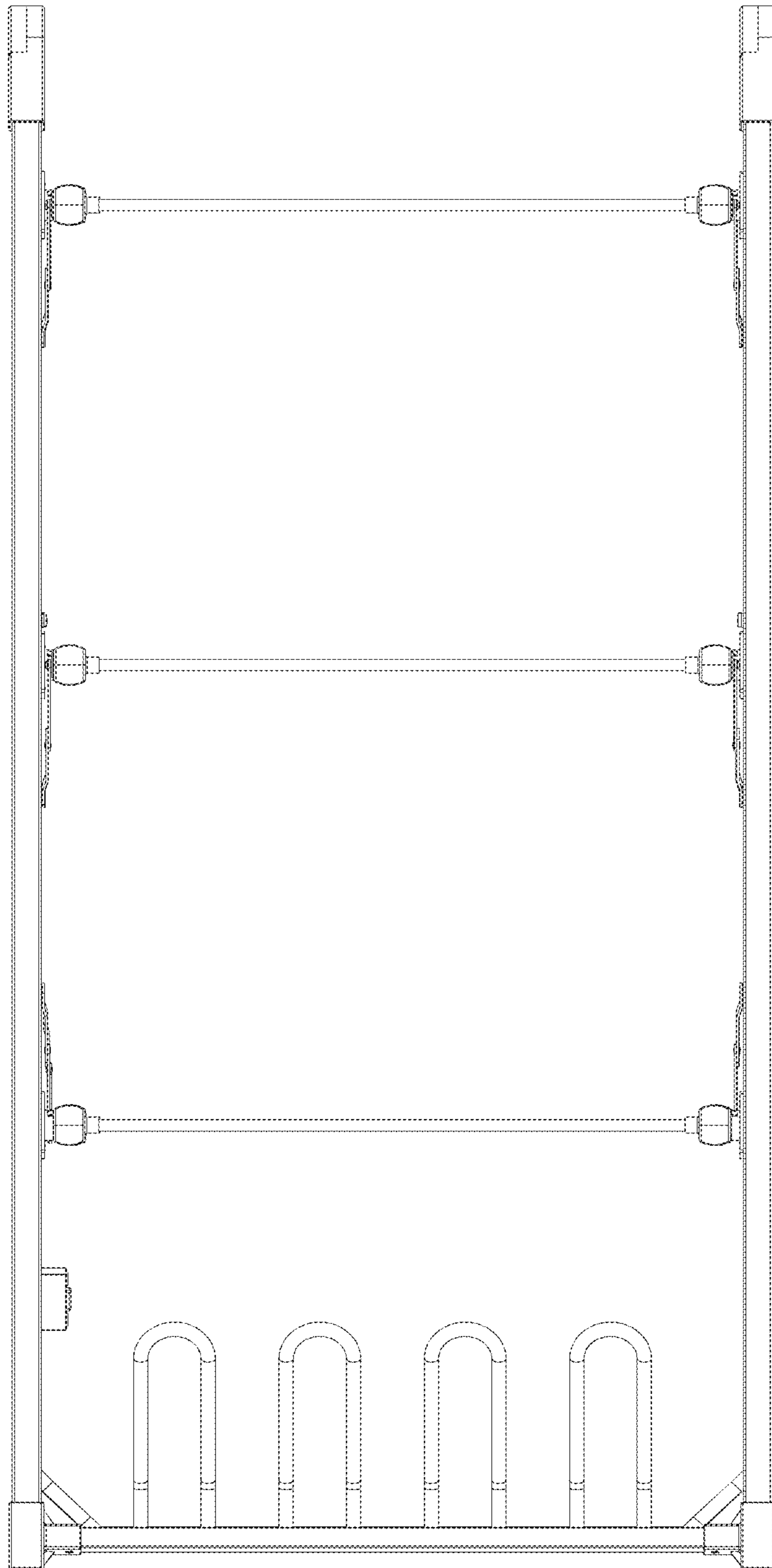


FIG. 2

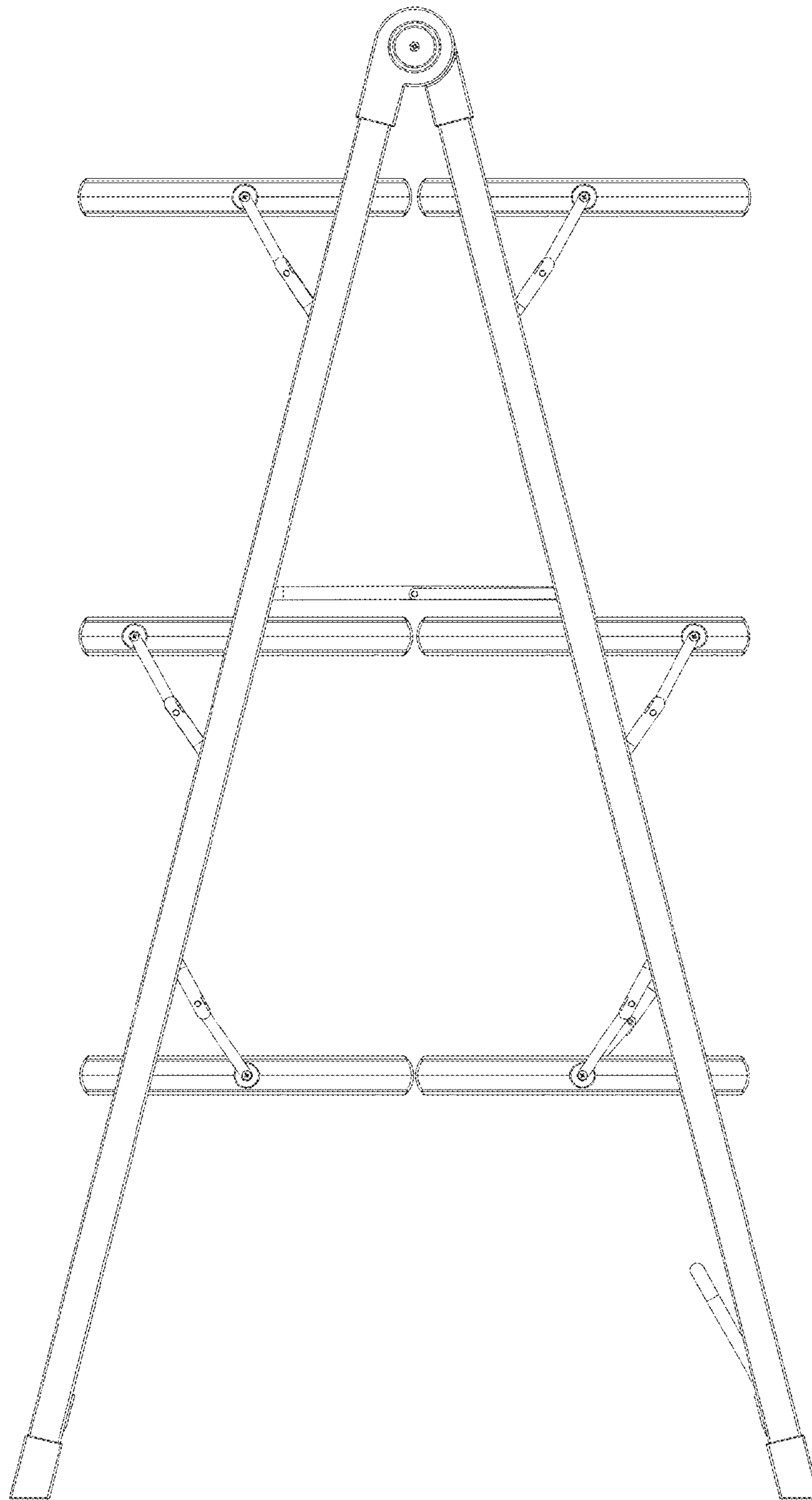


FIG. 3

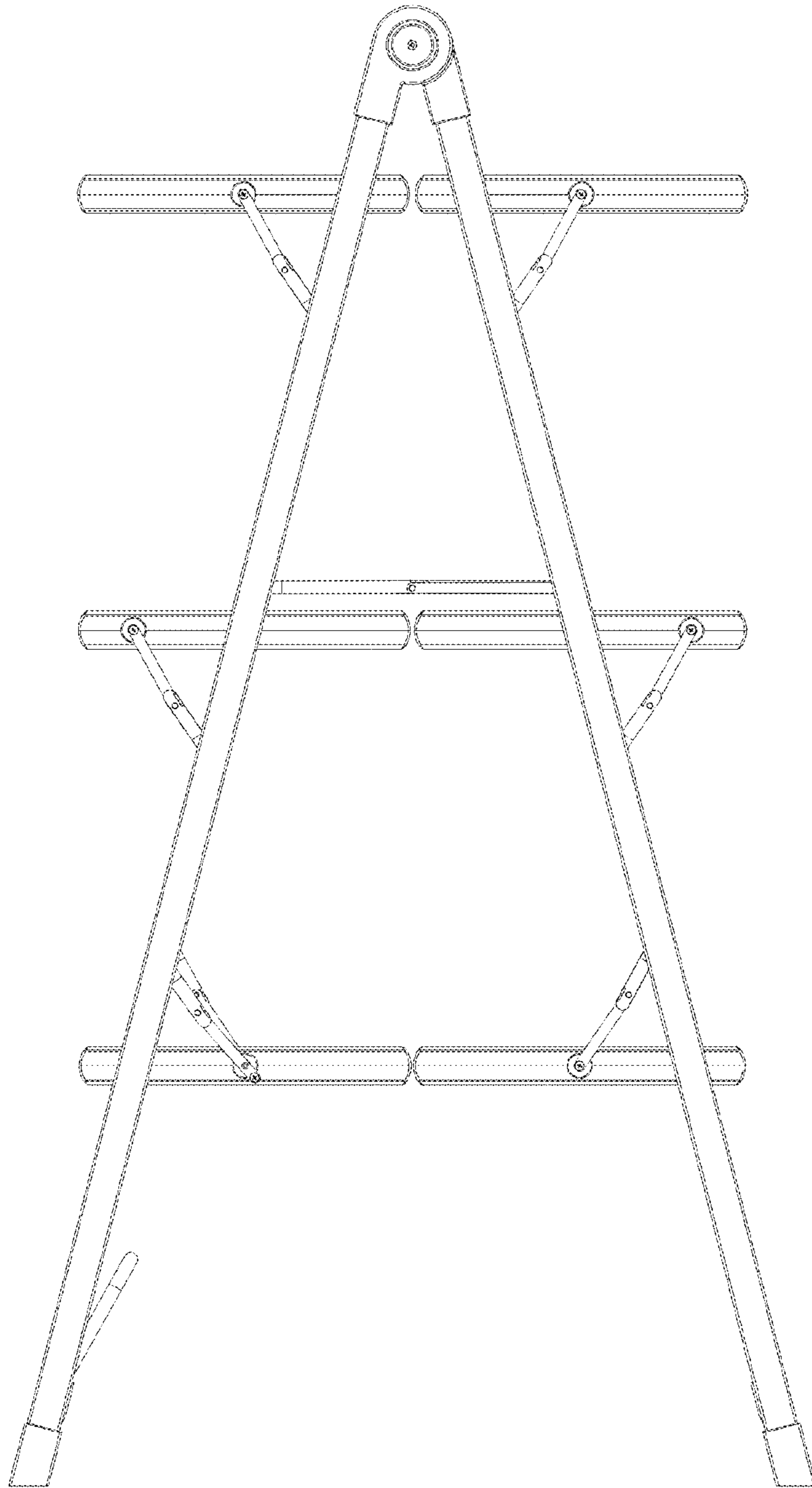


FIG. 4

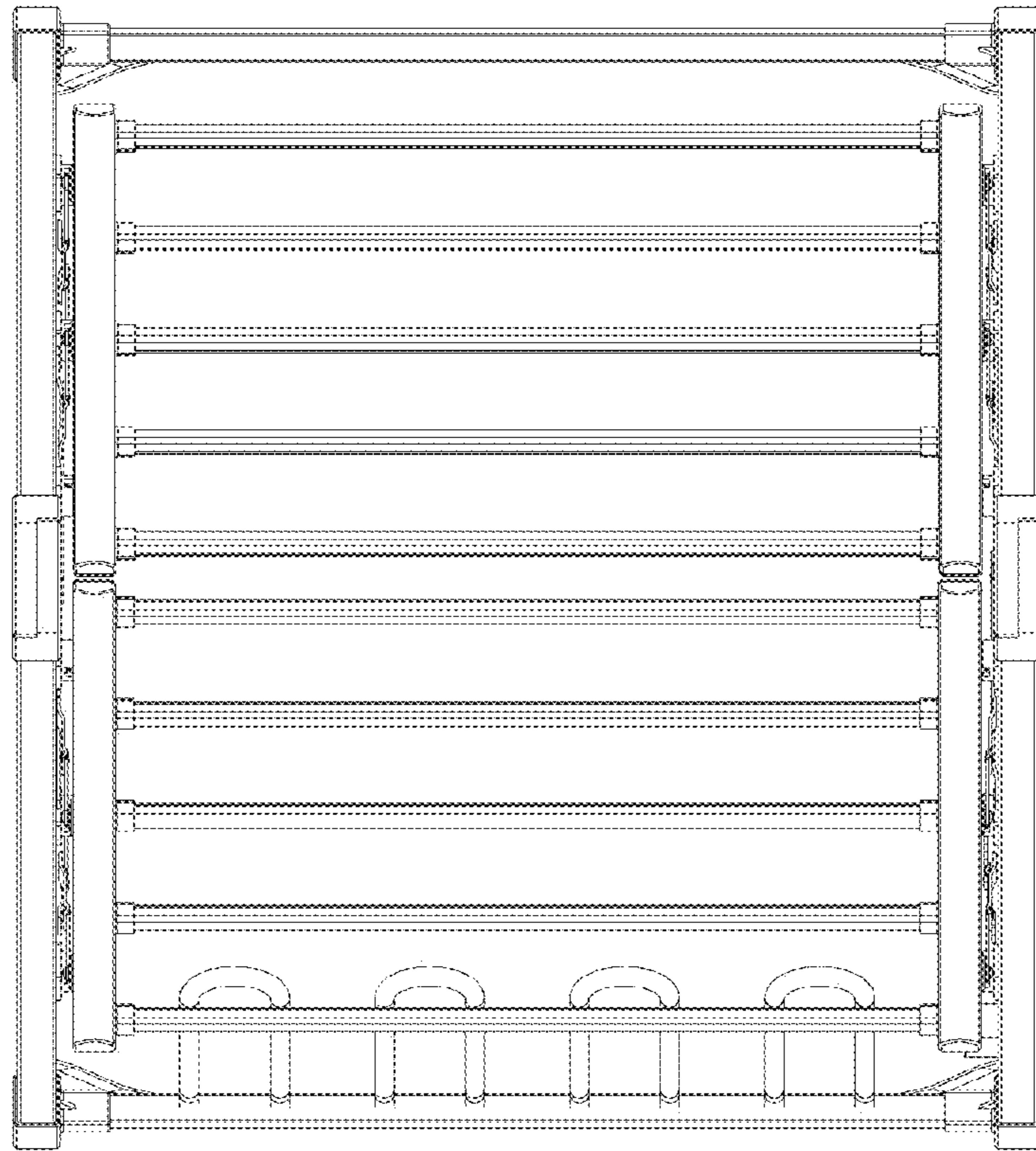


FIG. 5

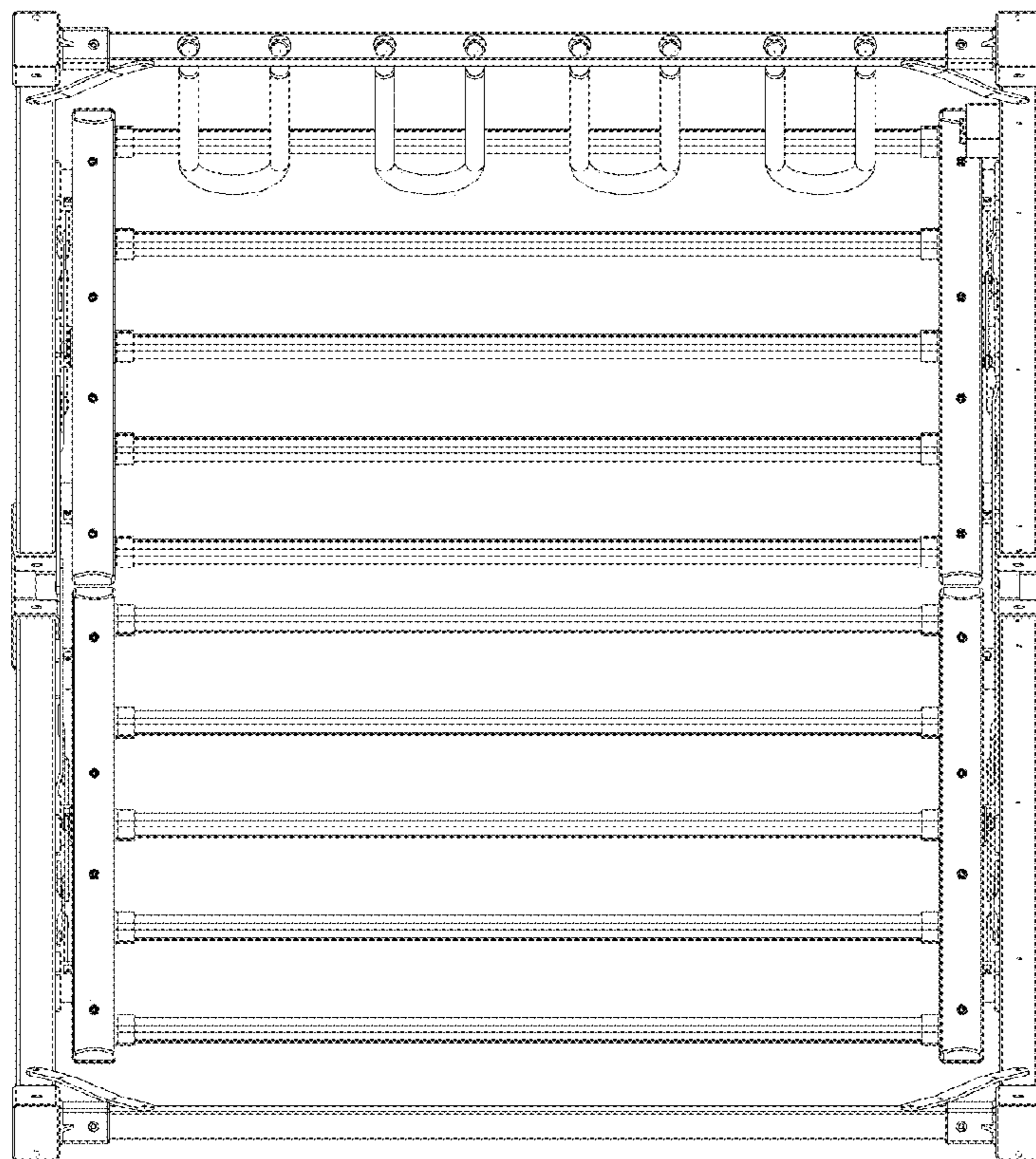


FIG. 6

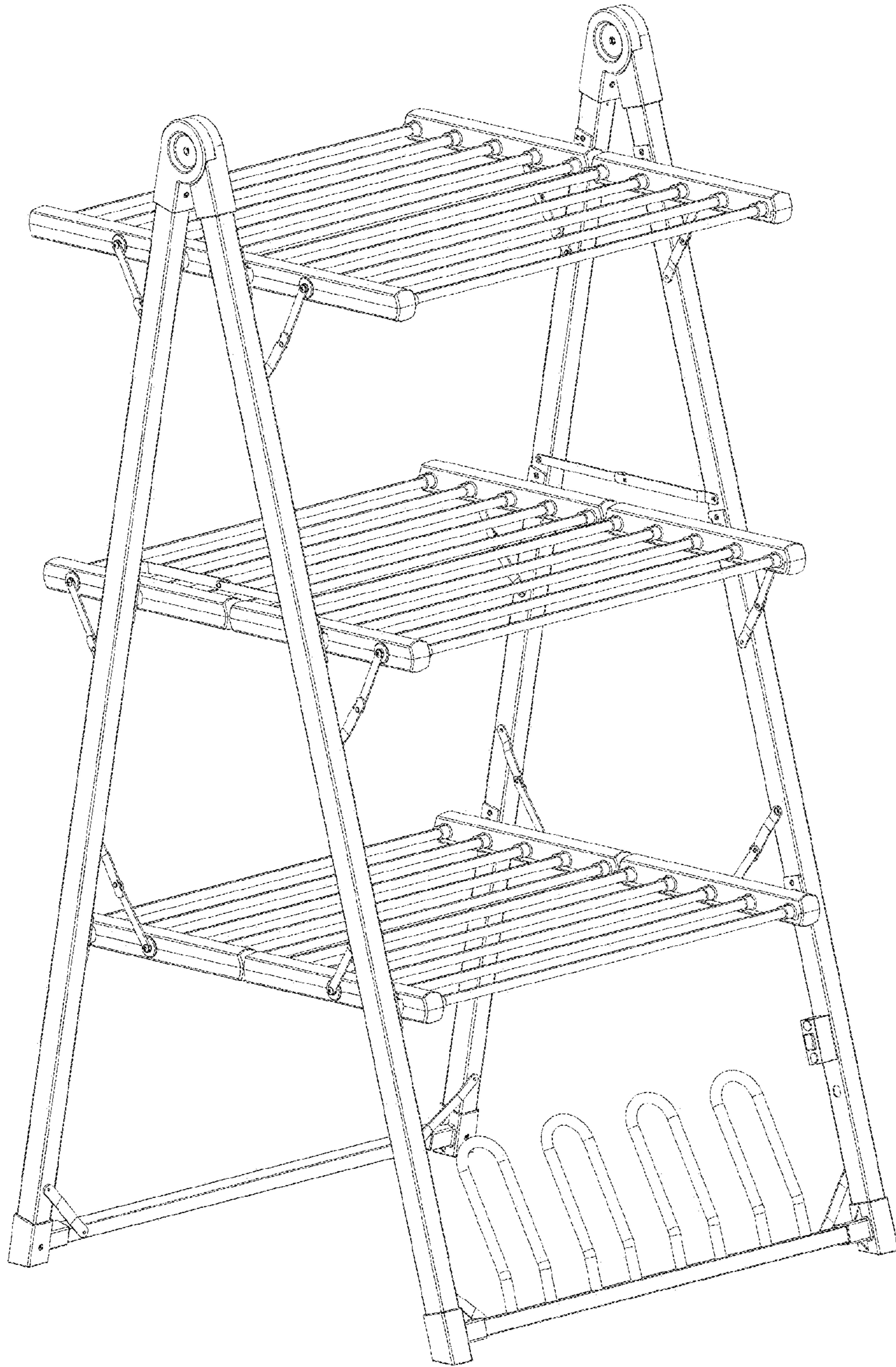


FIG. 7