



US00D718509S

(12) **United States Design Patent**
Connelly et al.

(10) **Patent No.:** **US D718,509 S**
(45) **Date of Patent:** **** Nov. 25, 2014**

(54) **SPONGE BASIN WITH REMOVABLE COVER, PERFORATED SUBMERSION PLATE, EXTERIOR HOLDER AND DRAWER**

(71) Applicants: **Glenn Connelly**, Jacksonville, FL (US);
Rodney E. Connelly, Jacksonville, FL (US)

(72) Inventors: **Glenn Connelly**, Jacksonville, FL (US);
Rodney E. Connelly, Jacksonville, FL (US)

(**) Term: **14 Years**

(21) Appl. No.: **29/497,188**

(22) Filed: **Jul. 22, 2014**

(51) **LOC (10) Cl.** **07-07**

(52) **U.S. Cl.**
USPC **D32/53**

(58) **Field of Classification Search**
CPC A61L 2/18; A47L 7/0061; A47L 13/14
USPC D32/53, 53.1, 54; 422/28; 220/505,
220/528, 694, 699, 702; 15/261-264
See application file for complete search history.

(56) **References Cited**

U.S. PATENT DOCUMENTS

1,337,477 A * 4/1920 Knapp 15/264
1,519,999 A * 12/1924 Arnold 15/264

(Continued)

Primary Examiner — Robin V Webster

(74) *Attorney, Agent, or Firm* — Mark Young, P.A.

(57) **CLAIM**

The ornamental design for a sponge basin with removable cover, perforated submersion plate, exterior holder and drawer, as shown and described.

DESCRIPTION

FIG. 1 is a plan view of a sponge basin with removable cover, perforated submersion plate, exterior holder and drawer.

FIG. 2 is a front side view of the sponge basin with removable cover, perforated submersion plate, exterior holder and drawer shown in FIG. 1.

FIG. 3 is a right side view of the sponge basin with removable cover, perforated submersion plate, exterior holder and drawer shown in FIG. 1.

FIG. 4 is a back side view of the sponge basin with removable cover, perforated submersion plate, exterior holder and drawer shown in FIG. 1.

FIG. 5 is a left side view of the sponge basin with removable cover, perforated submersion plate, exterior holder and drawer shown in FIG. 1.

FIG. 6 is a bottom view of the sponge basin with removable cover, perforated submersion plate, exterior holder and drawer shown in FIG. 1.

FIG. 7 is a first perspective view of the sponge basin with removable cover, perforated submersion plate, exterior holder and drawer shown in FIG. 1.

FIG. 8 is a second perspective view of the sponge basin with removable cover, perforated submersion plate, exterior holder and drawer shown in FIG. 1.

FIG. 9 is a third perspective view of the sponge basin with removable cover, perforated submersion plate, exterior holder and drawer shown in FIG. 1.

FIG. 10 is a fourth perspective view of the sponge basin with removable cover, perforated submersion plate, exterior holder and drawer shown in FIG. 1.

FIG. 11 is a right side view of section A-A of the sponge basin with removable cover, perforated submersion plate, exterior holder and drawer shown in FIG. 1.

FIG. 12 is a first perspective view of section A-A of the sponge basin with removable cover, perforated submersion plate, exterior holder and drawer shown in FIG. 1.

FIG. 13 is a right side view of the sponge basin with removable cover, perforated submersion plate, exterior holder and drawer shown in FIG. 1, with the drawer removed.

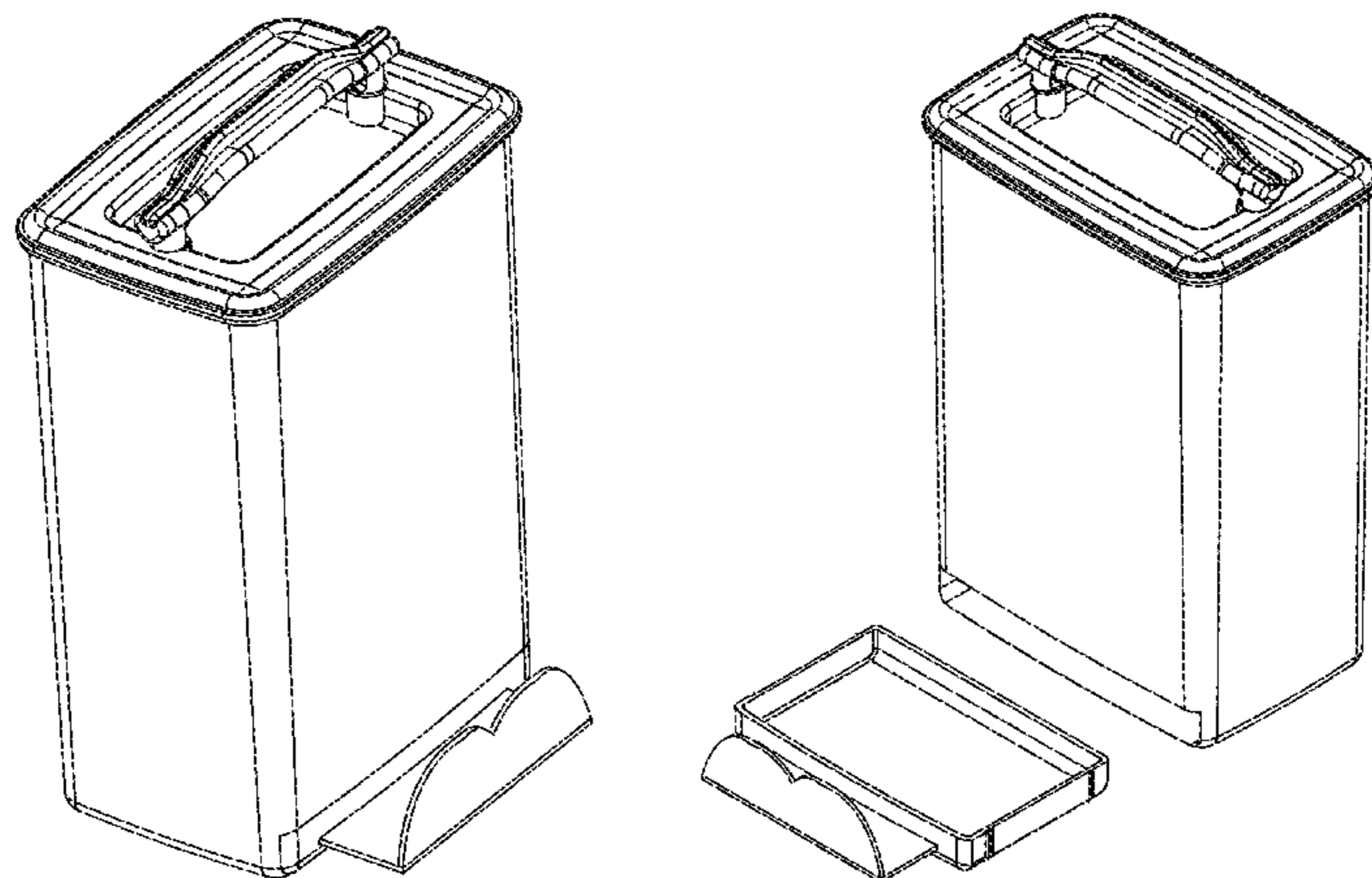
FIG. 14 is a first perspective view of the sponge basin with removable cover, perforated submersion plate, exterior holder and drawer shown in FIG. 1, with the drawer removed.

FIG. 15 is a front side view of the sponge basin with removable cover, perforated submersion plate, exterior holder and drawer shown in FIG. 1, with the removable cover and perforated submersion plate removed.

FIG. 16 is a right side view of the sponge basin with removable cover, perforated submersion plate, exterior holder and drawer shown in FIG. 1, with the removable cover and perforated submersion plate removed; and,

FIG. 17 is a first perspective view of the sponge basin with removable cover, perforated submersion plate, exterior holder and drawer shown in FIG. 1, with the removable cover and perforated submersion plate removed.

1 Claim, 17 Drawing Sheets



(56)

References Cited

U.S. PATENT DOCUMENTS

3,276,064 A * 10/1966 Moore 15/261
5,392,901 A * 2/1995 Kuray et al. 206/3
5,683,655 A * 11/1997 Carter 422/28
5,881,891 A * 3/1999 Murphy, Jr. 211/70.6

6,953,128 B2 * 10/2005 Pfister et al. 220/507
7,328,813 B2 * 2/2008 Pfister et al. 220/507
D593,269 S * 5/2009 Weiler D32/53
7,892,485 B1 * 2/2011 Flannery et al. 422/28
D688,018 S * 8/2013 Duquenoy et al. D32/53

* cited by examiner

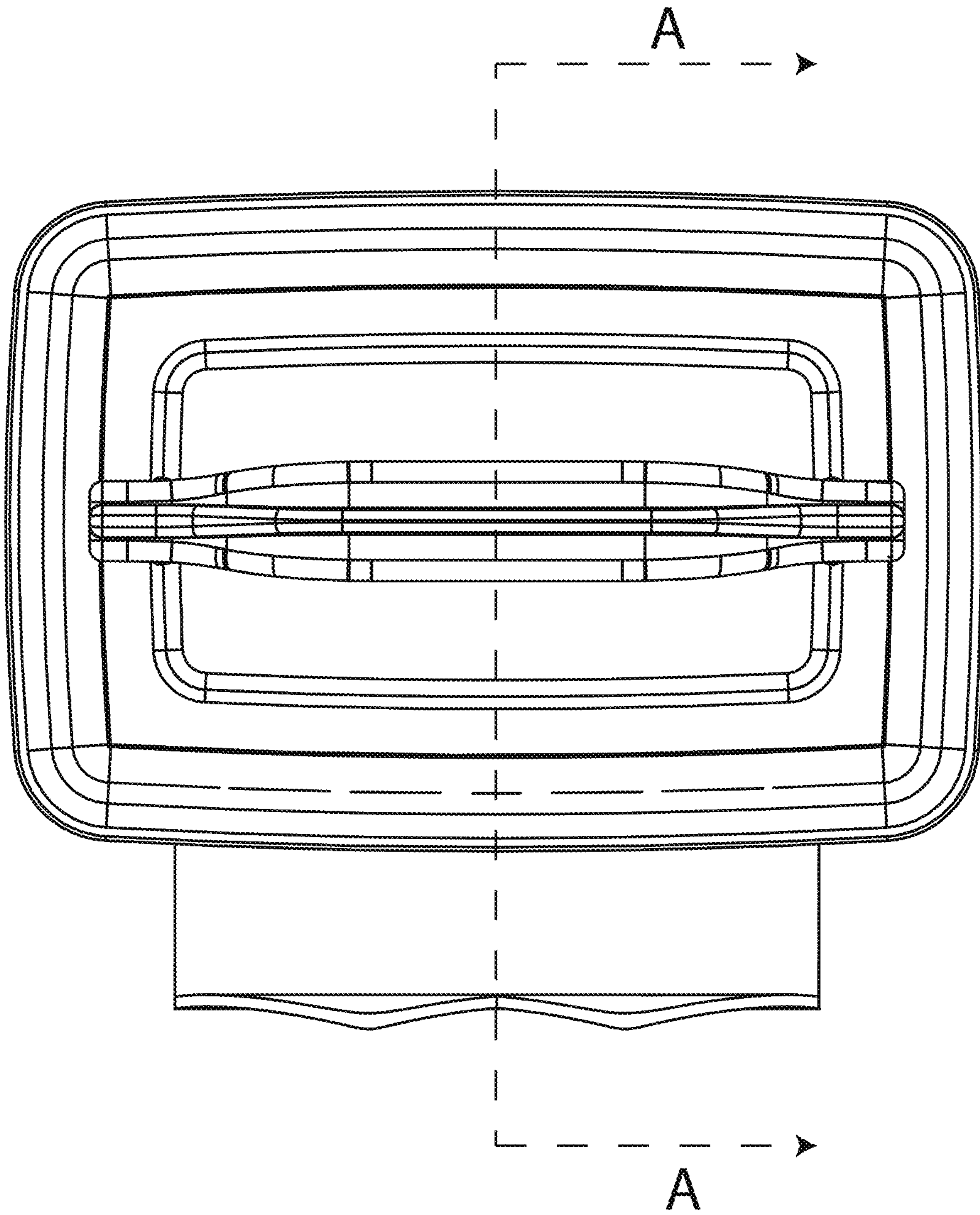


FIG. 1

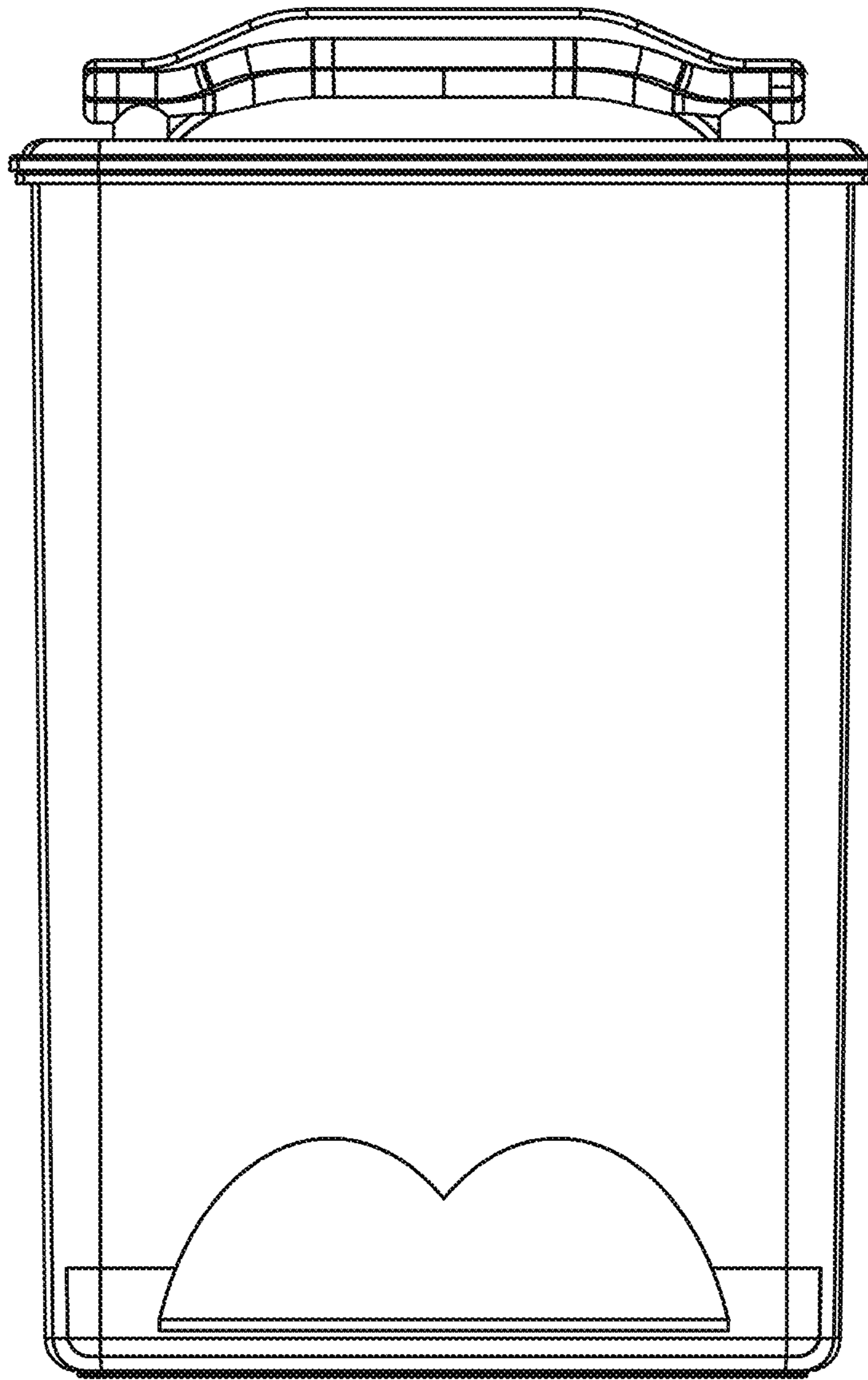


FIG. 2

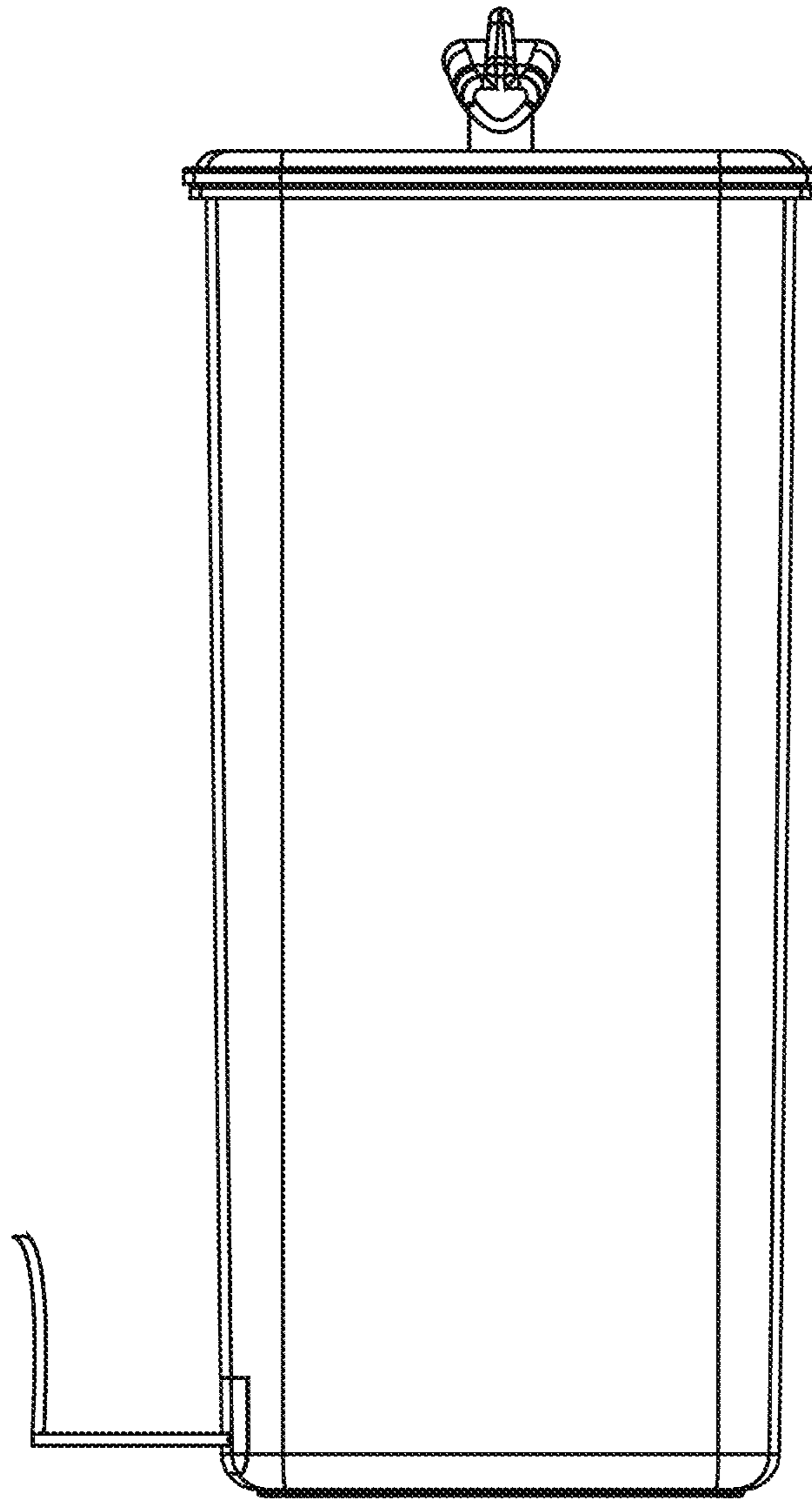


FIG. 3

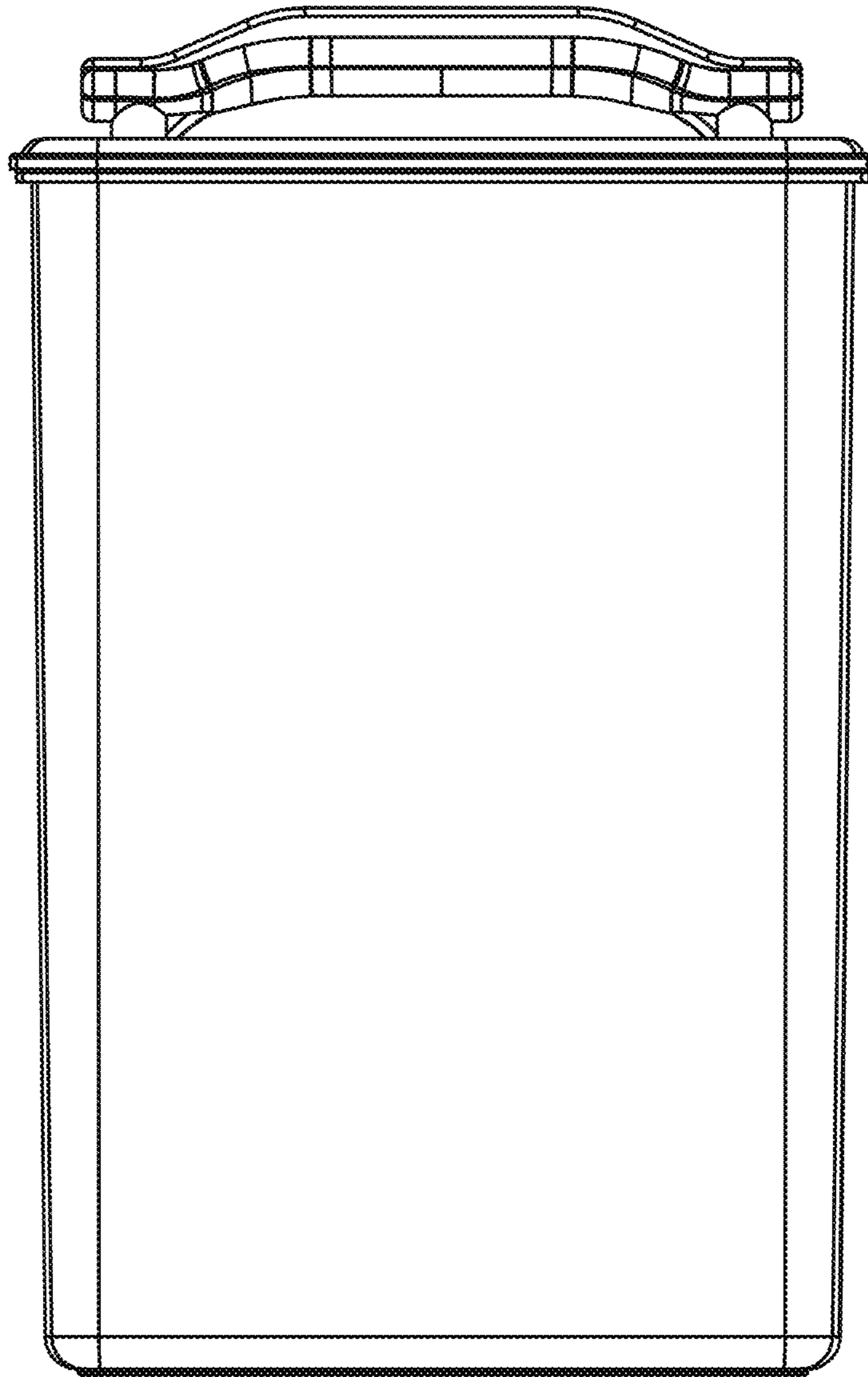


FIG. 4

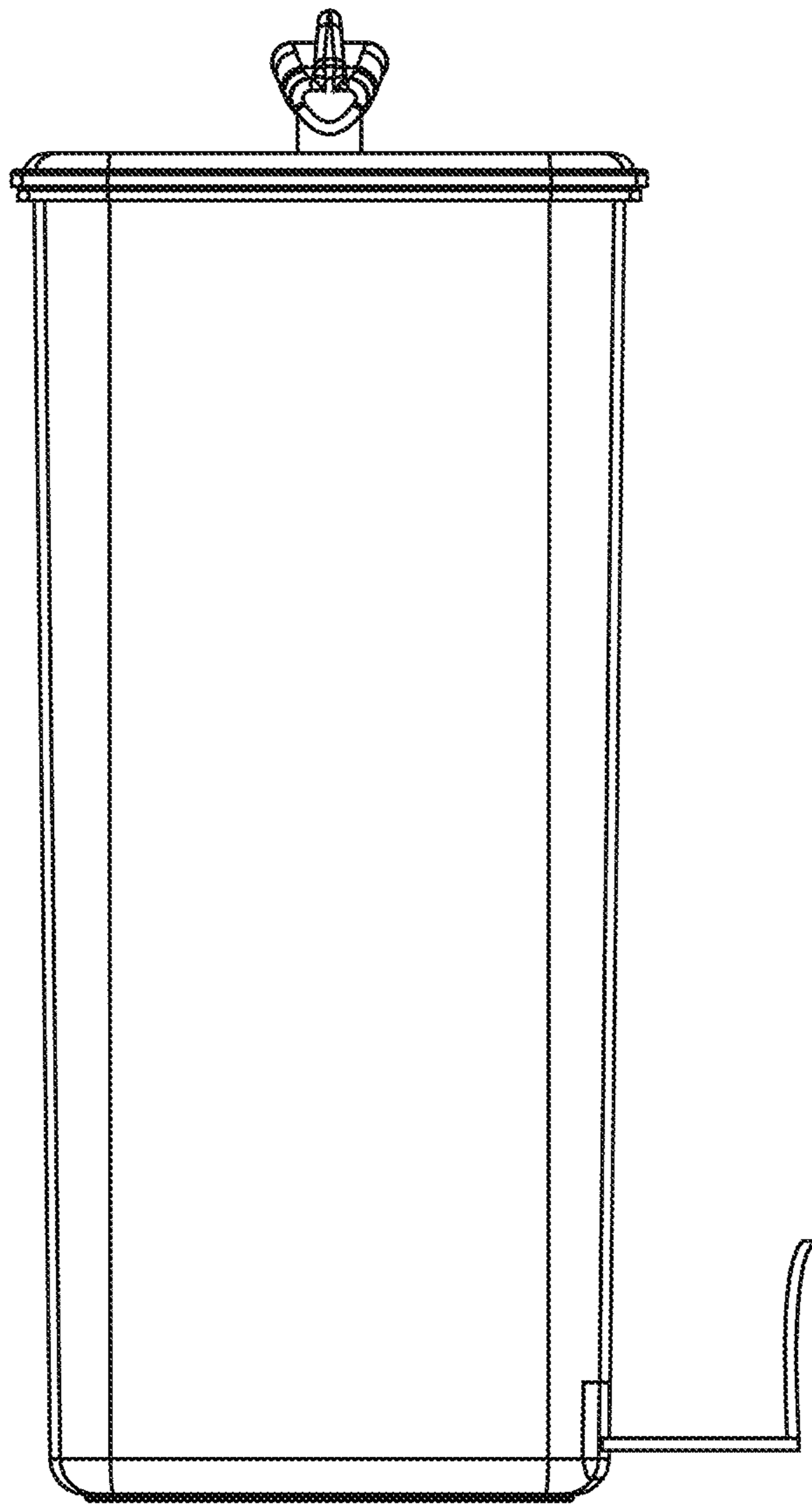


FIG. 5

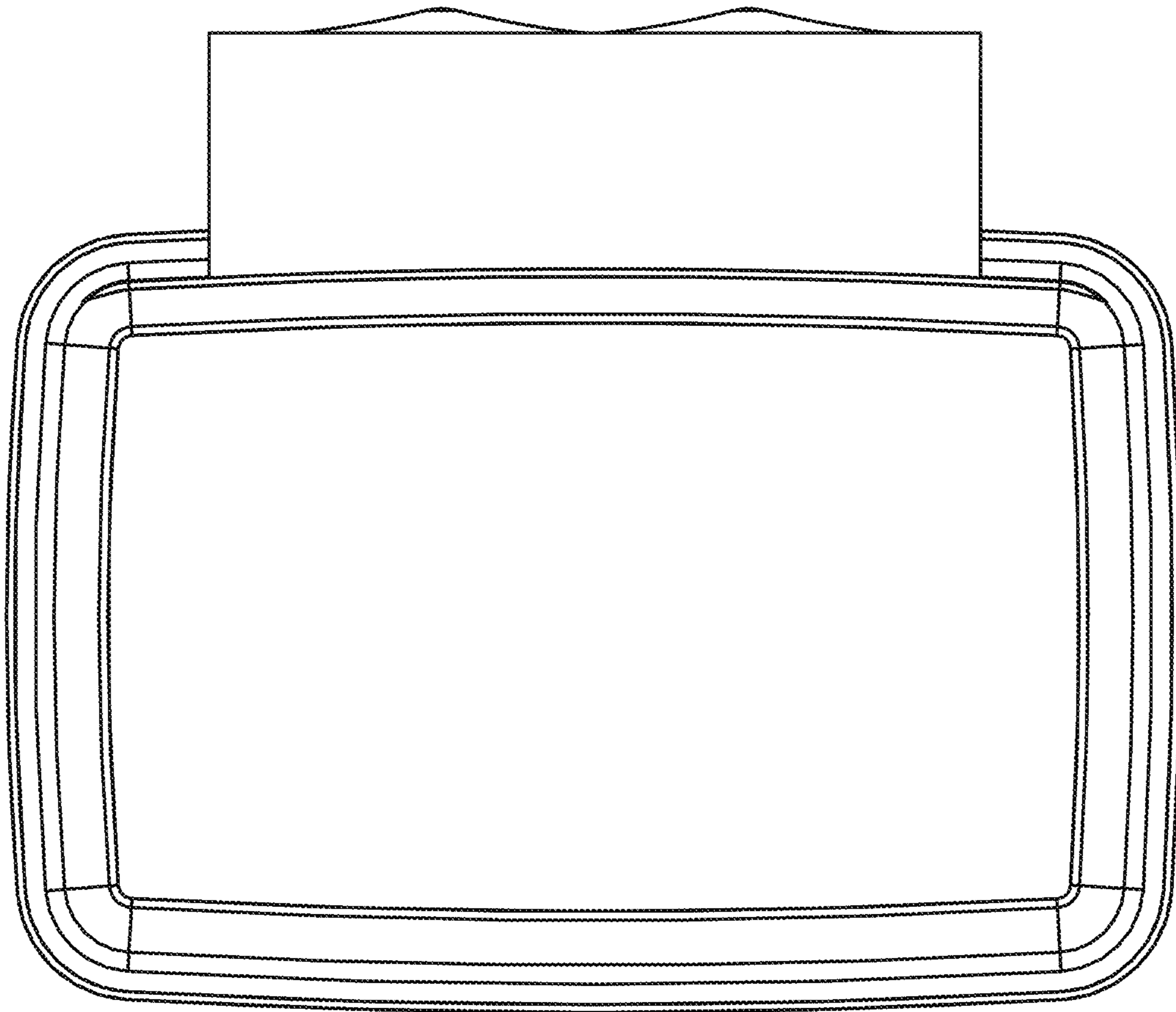


FIG. 6

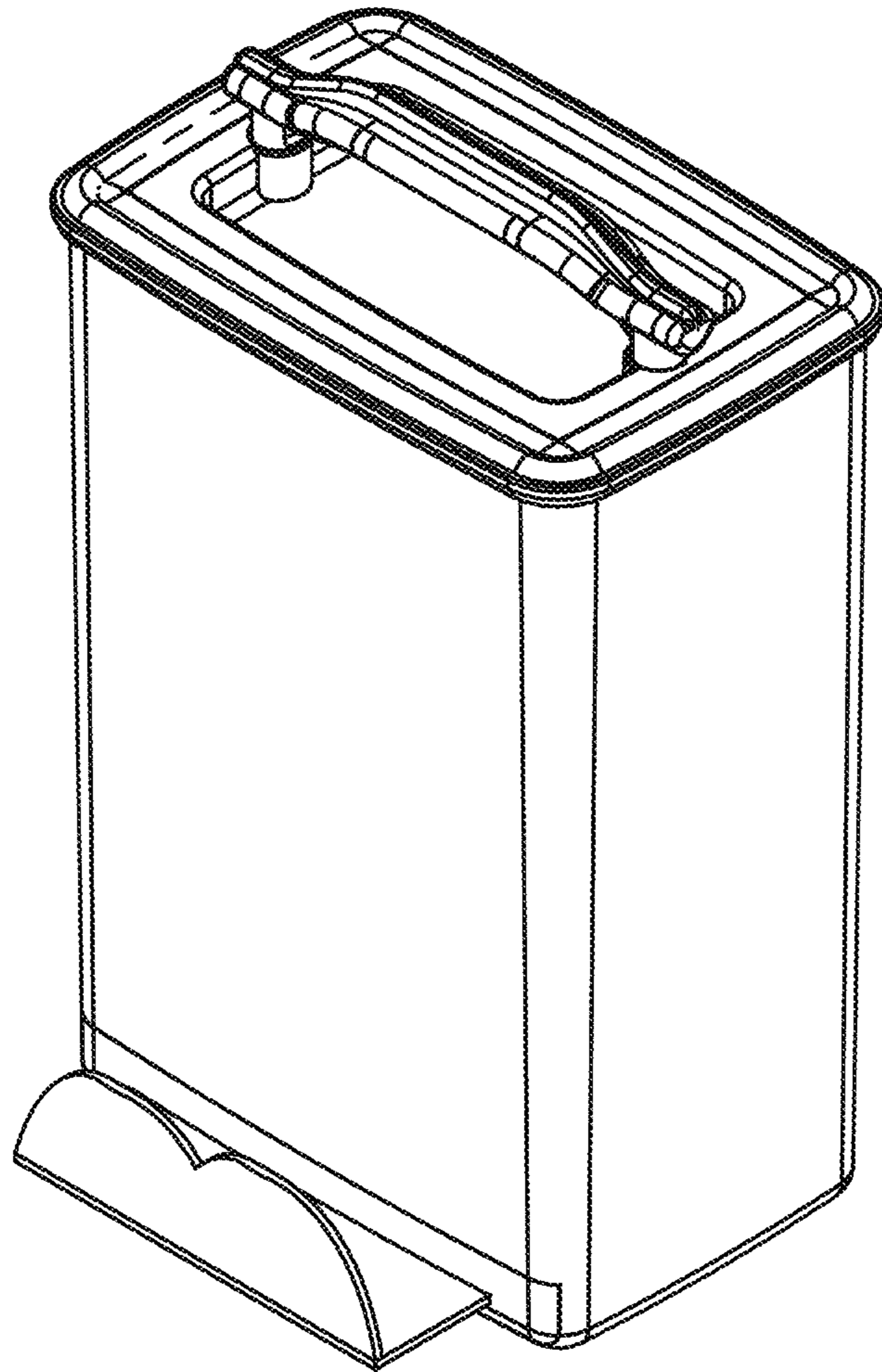


FIG. 7

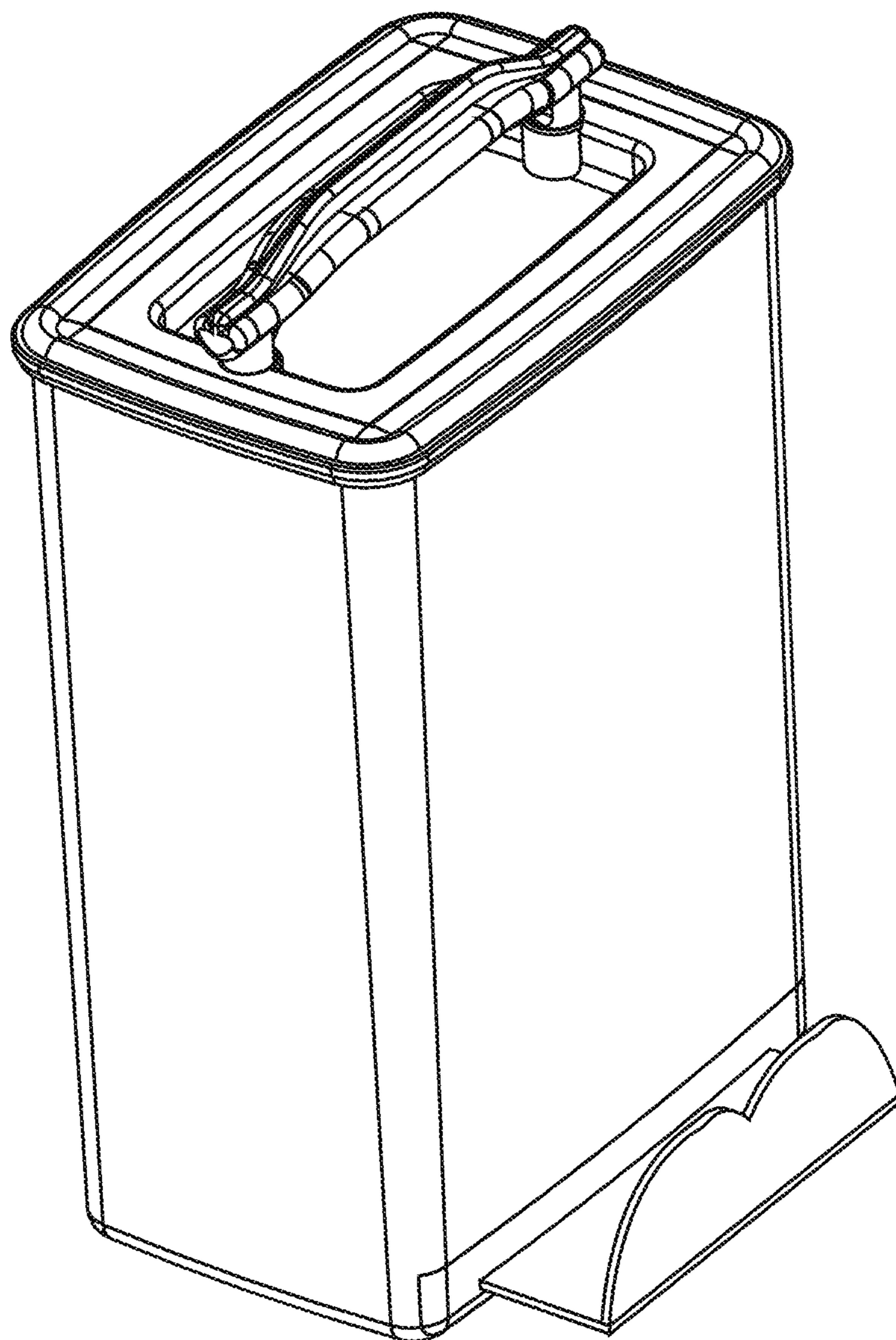


FIG. 8

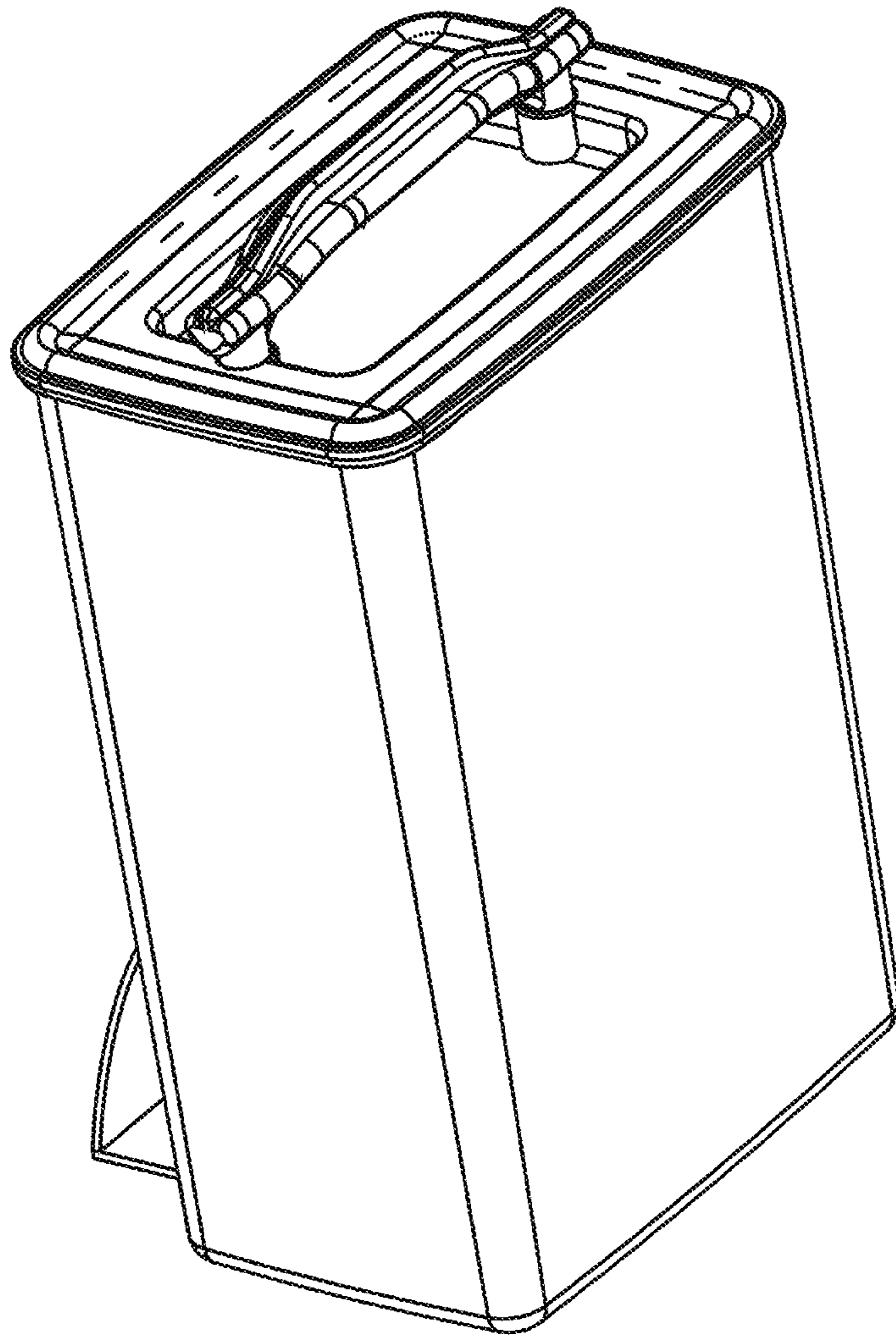


FIG. 9

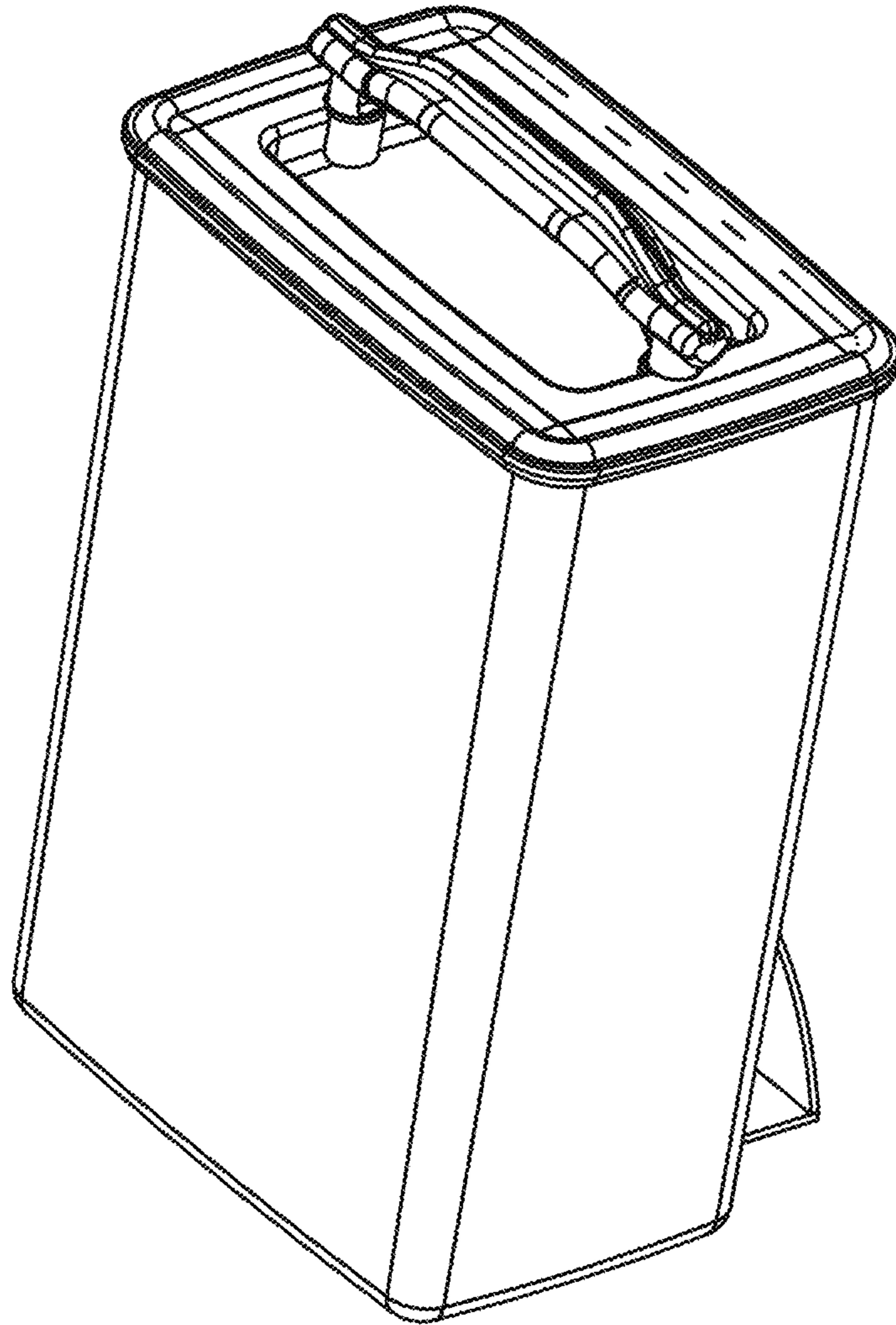


FIG. 10

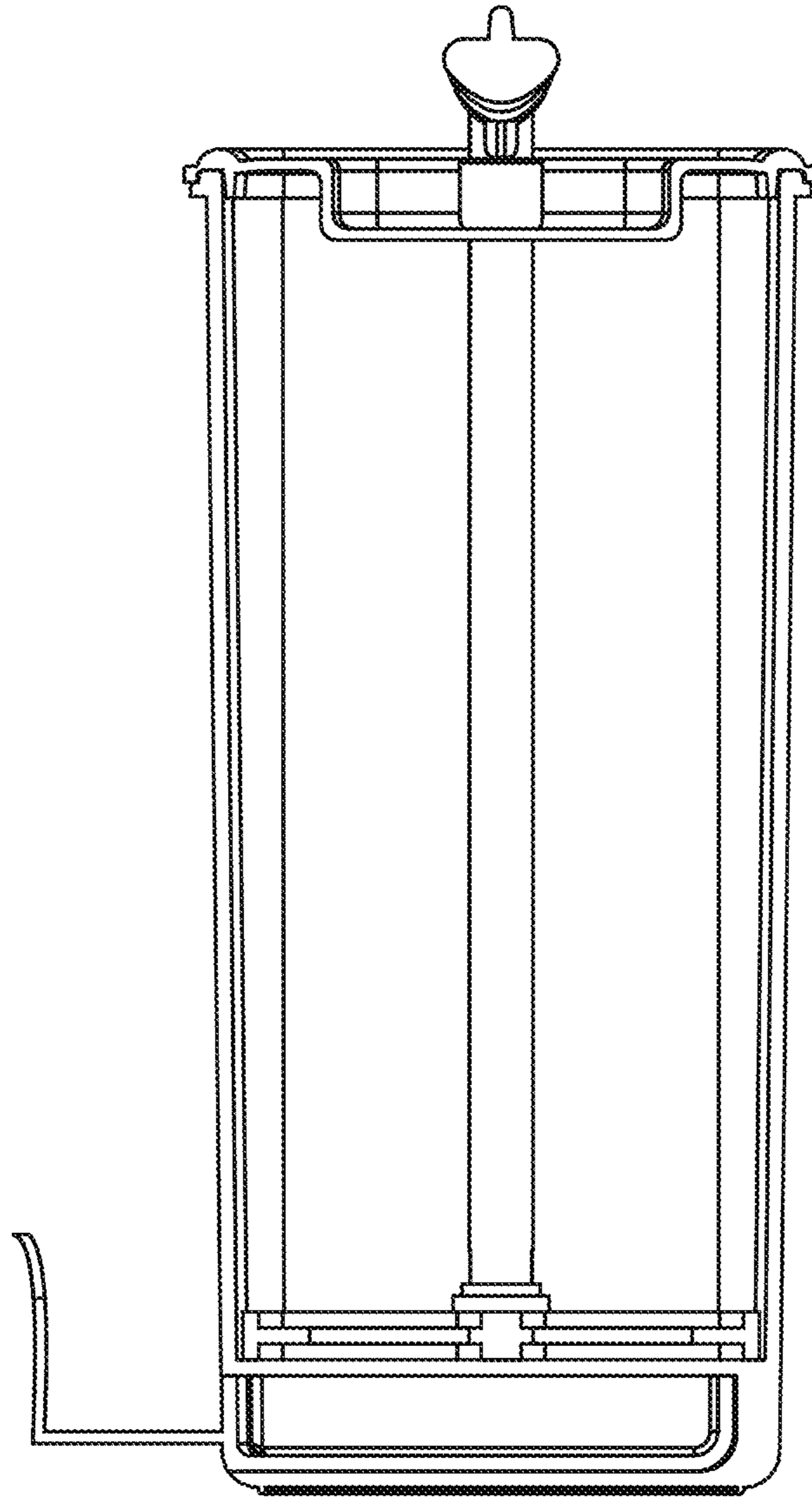


FIG. 11

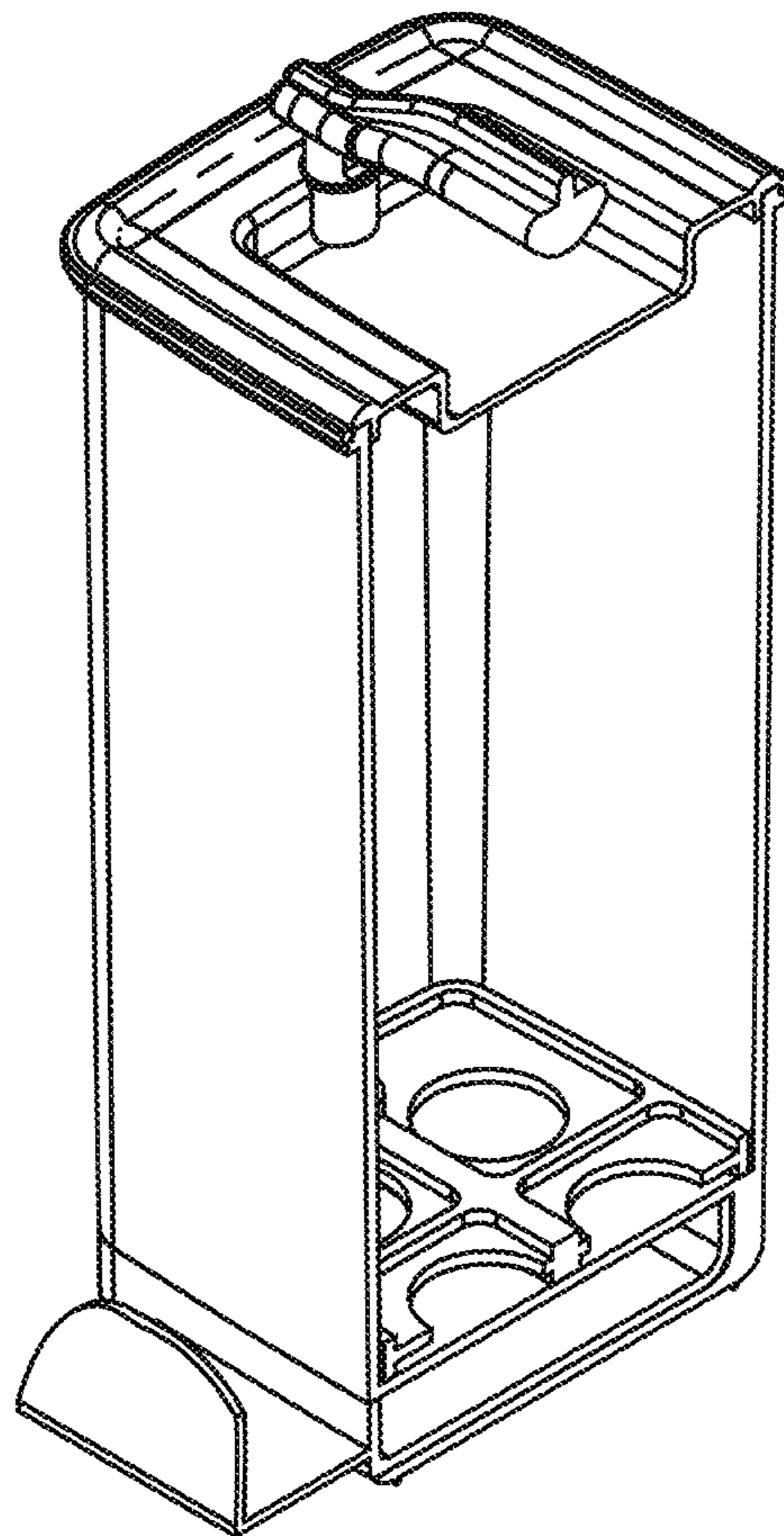


FIG. 12

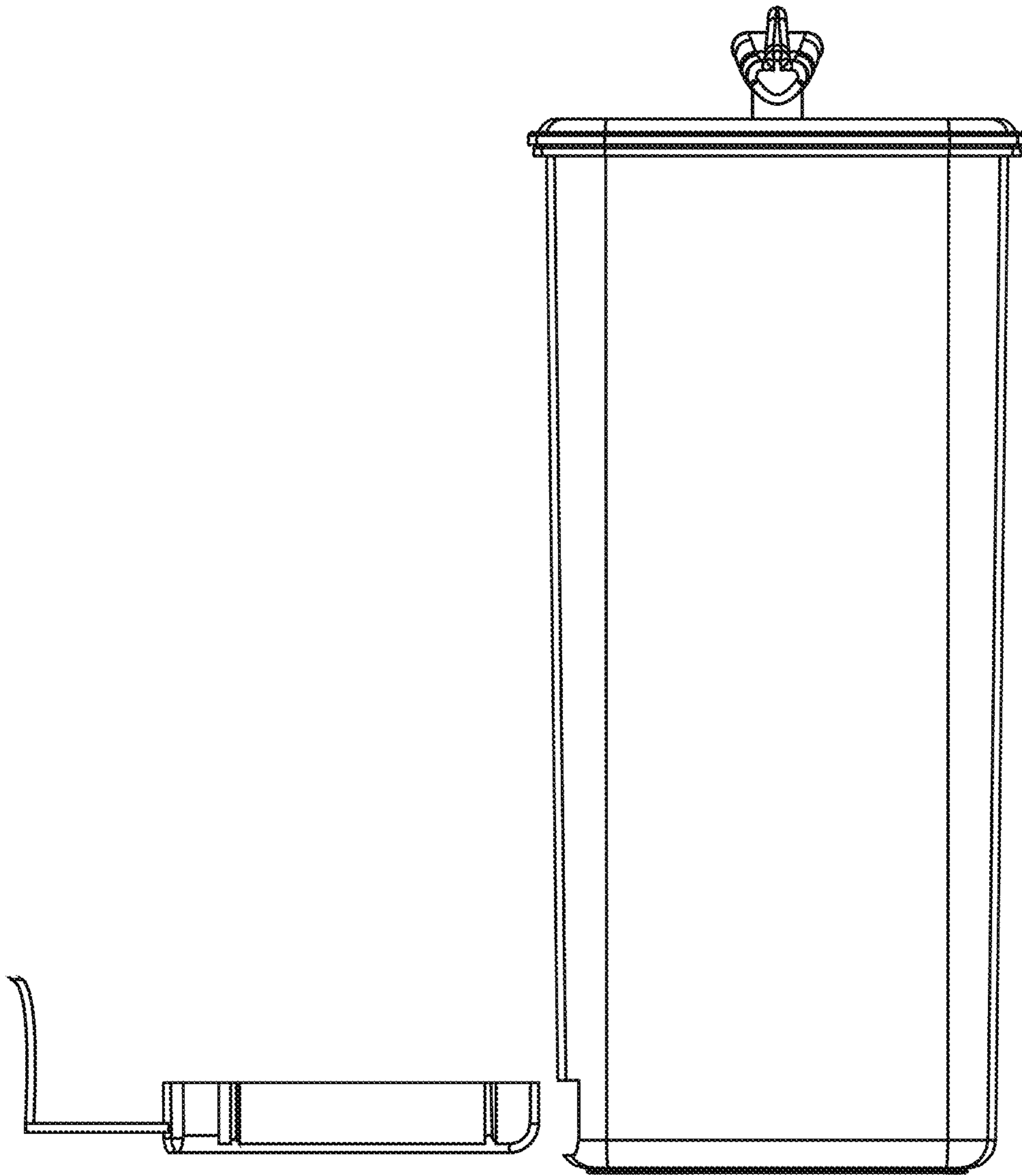


FIG. 13

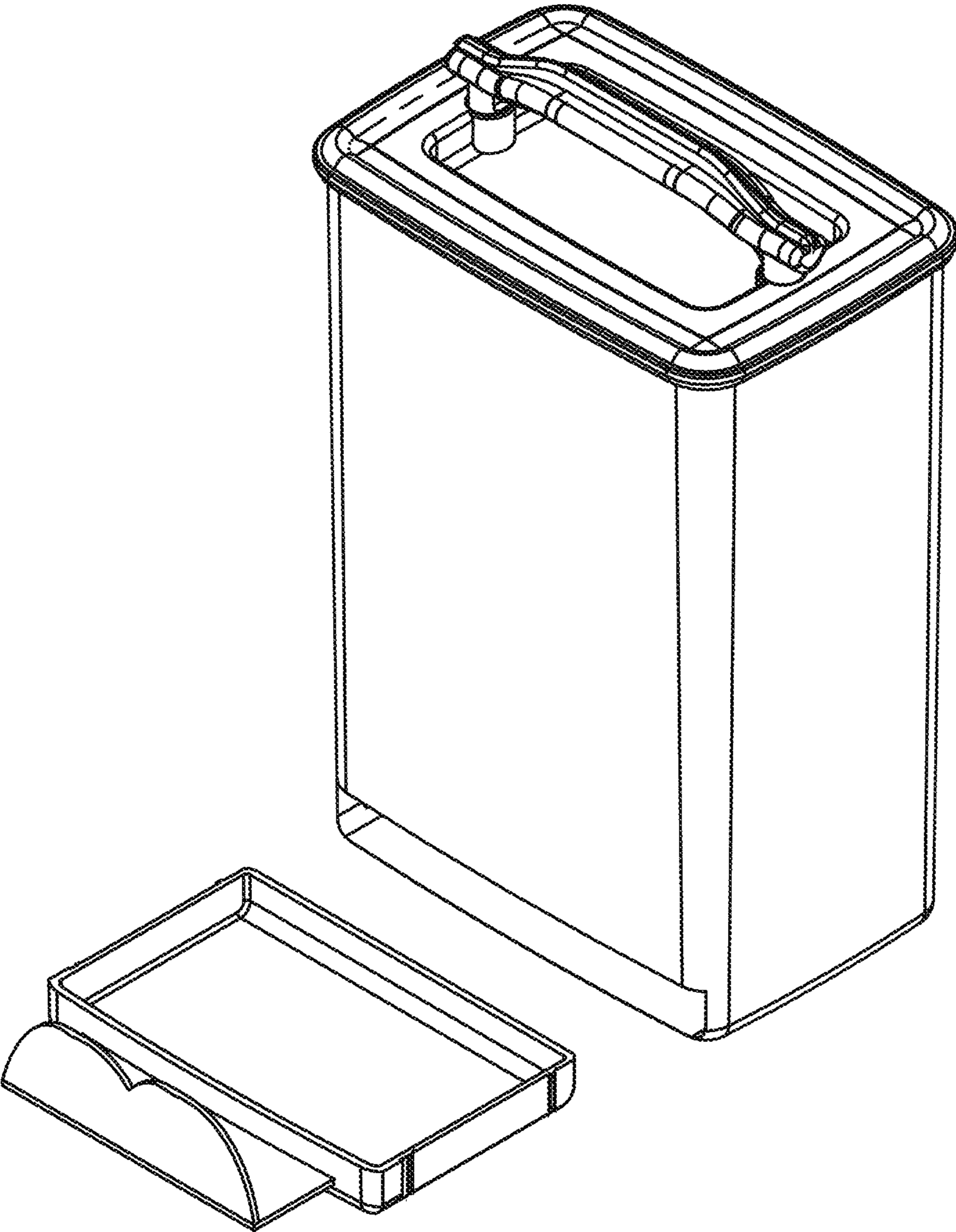


FIG. 14

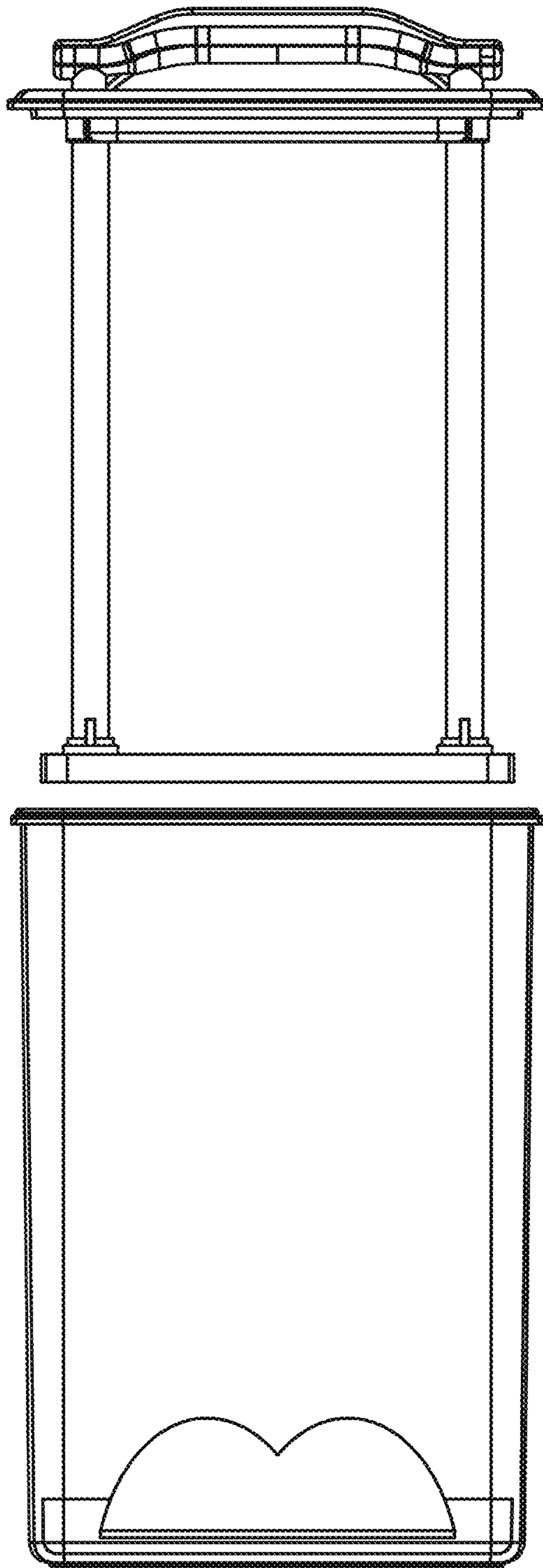


FIG. 15

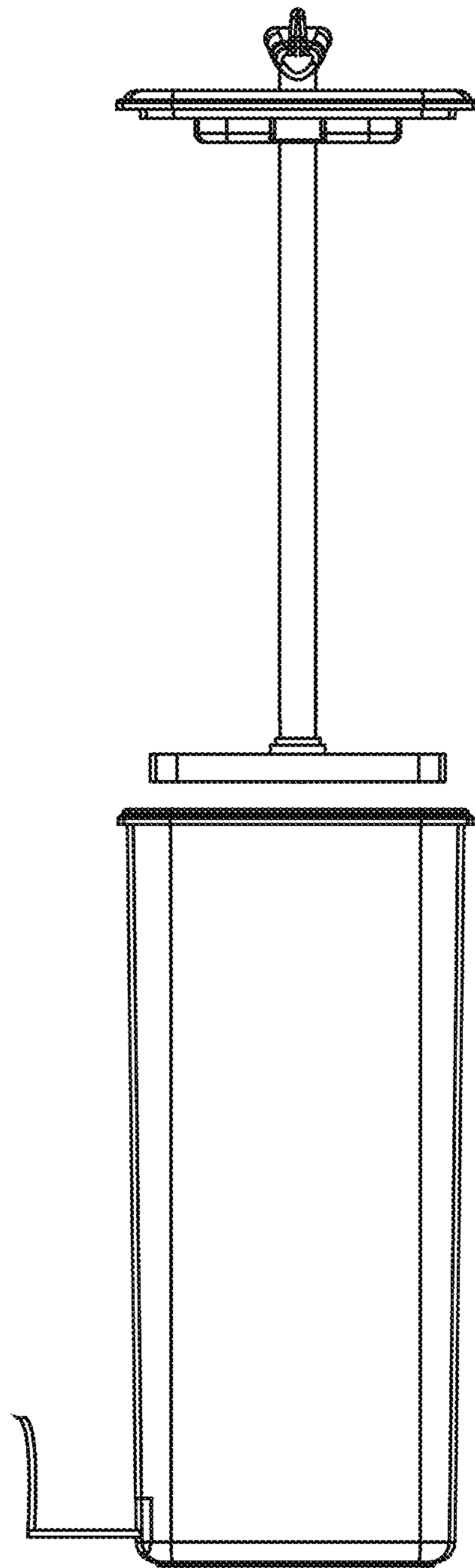


FIG. 16

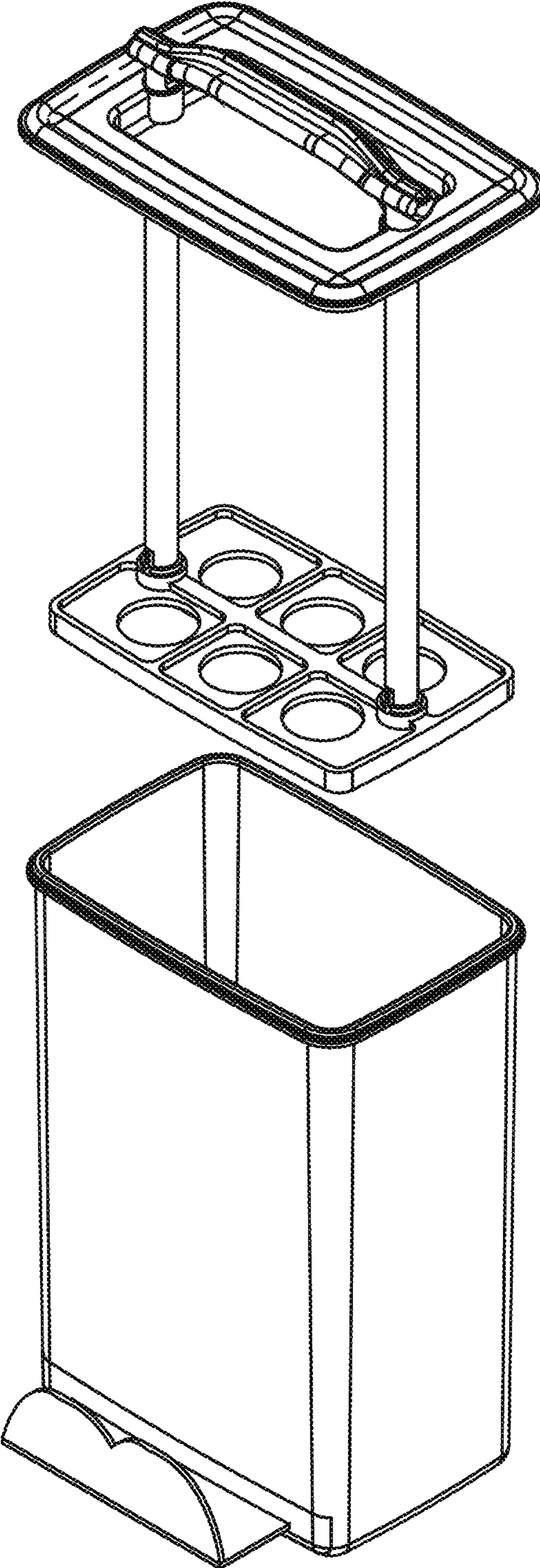


FIG. 17