



US00D718508S

(12) **United States Design Patent**  
**Svantesson**

(10) **Patent No.:** **US D718,508 S**

(45) **Date of Patent:** **\*\* Nov. 25, 2014**

(54) **CANISTER FOR A VACUUM CLEANER**

(71) Applicant: **Aktiebolaget Electrolux**, Stockholm (SE)

(72) Inventor: **Esbjorn Svantesson**, Taby (SE)

(73) Assignee: **Aktiebolaget Electrolux**, Stockholm (SE)

(\*\*) Term: **14 Years**

(21) Appl. No.: **29/450,254**

(22) Filed: **Mar. 15, 2013**

(30) **Foreign Application Priority Data**

Sep. 18, 2012 (EM) ..... 002105353

(51) **LOC (10) Cl.** ..... **15-05**

(52) **U.S. Cl.**  
USPC ..... **D32/31**

(58) **Field of Classification Search**  
USPC ..... D32/21, 23, 24, 30, 31; 55/378, 337, 55/447, 345, DIG. 3, 349, 429, 459.1, 395; 15/327.1, 327.2, 327.4, 327.6, 327.7, 15/347, 353, 337, 411  
See application file for complete search history.

(56) **References Cited**

**U.S. PATENT DOCUMENTS**

D505,761 S \* 5/2005 Gammack et al. .... D32/21  
D553,311 S \* 10/2007 Shin ..... D32/21

D554,308 S \* 10/2007 Shin ..... D32/21  
D556,962 S \* 12/2007 Choi et al. .... D32/21  
D565,813 S \* 4/2008 Shin ..... D32/21  
D581,112 S \* 11/2008 Baek ..... D32/21  
D594,162 S \* 6/2009 Knox et al. .... D32/21  
D594,609 S \* 6/2009 Dyson et al. .... D32/21  
D600,415 S \* 9/2009 Svantesson ..... D32/21  
7,721,385 B2 \* 5/2010 Genn et al. .... 15/347  
D620,654 S \* 7/2010 Kim ..... D32/21  
D647,264 S \* 10/2011 Luebbering et al. .... D32/31  
2006/0213023 A1 \* 9/2006 Hare et al. .... 15/327.2

\* cited by examiner

*Primary Examiner* — Ruth McInroy

(74) *Attorney, Agent, or Firm* — Banner & Witcoff, Ltd.

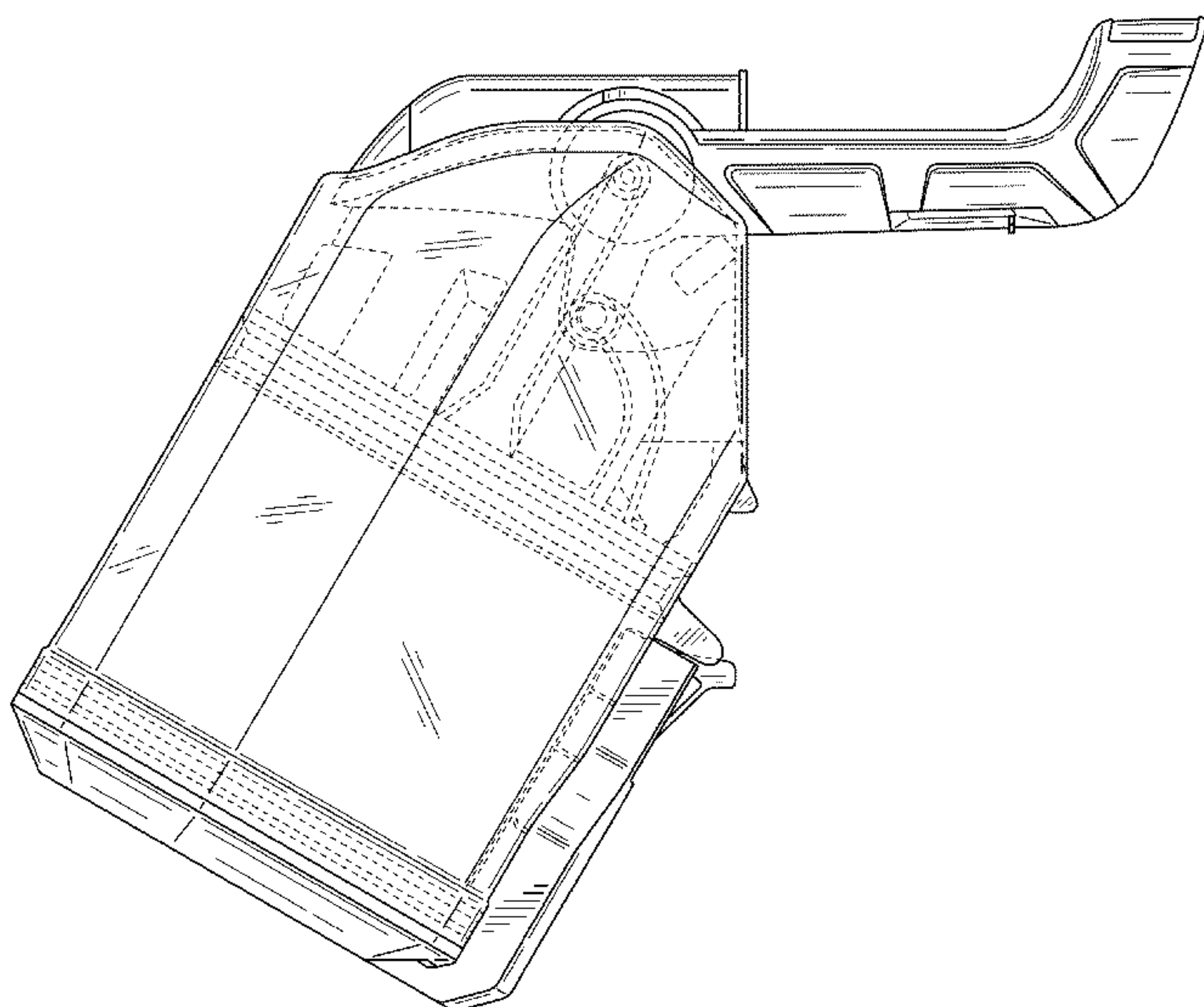
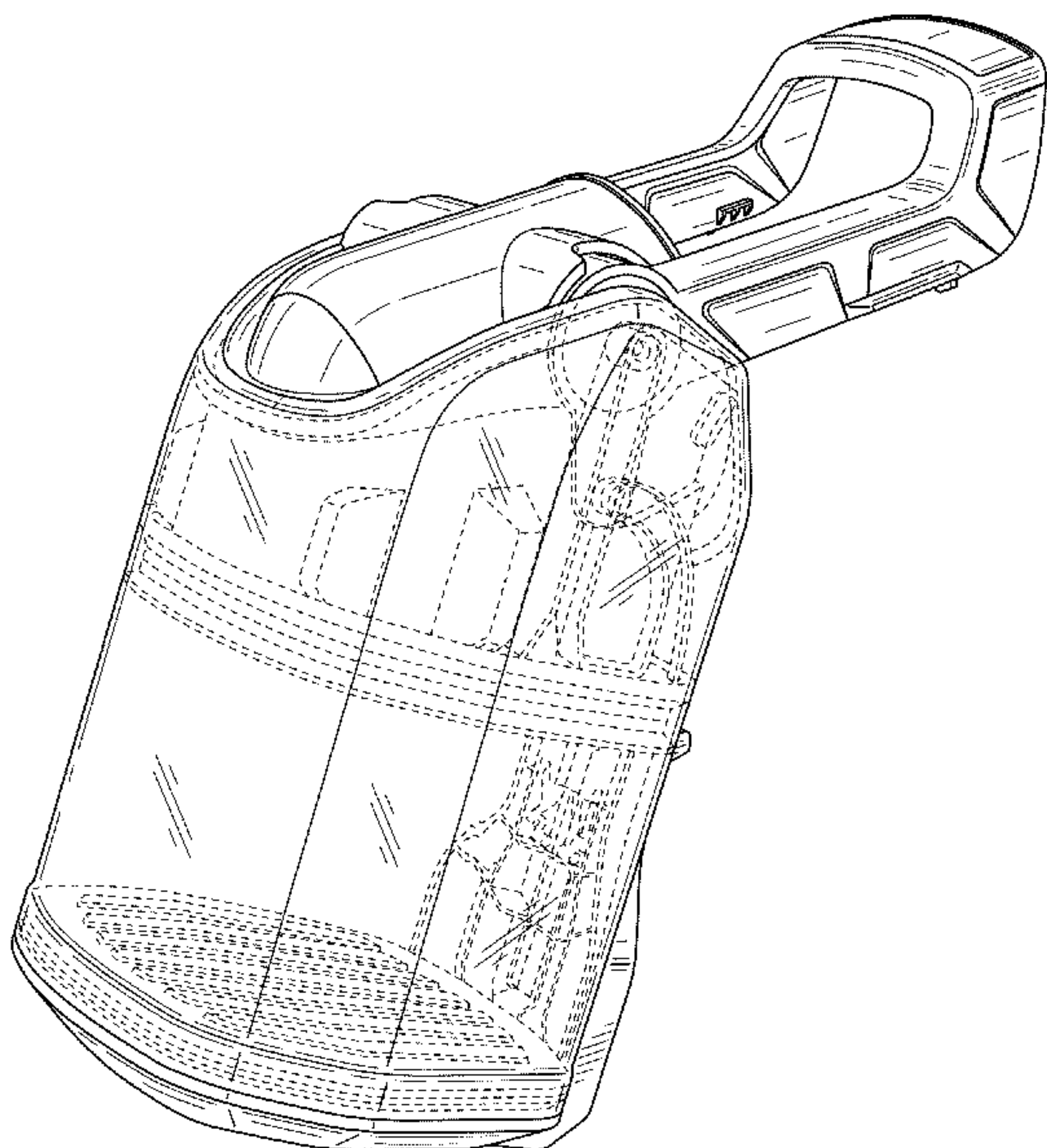
(57) **CLAIM**

The ornamental design for a canister for a vacuum cleaner, as shown and described.

**DESCRIPTION**

FIG. 1 is a perspective view of a canister for a vacuum cleaner showing my new design;  
FIG. 2 is a front view thereof;  
FIG. 3 is a left side view thereof;  
FIG. 4 is a top view thereof;  
FIG. 5 is a right side view thereof;  
FIG. 6 is a rear view thereof; and,  
FIG. 7 is a bottom view thereof.  
The broken line of the remainder of the canister is for environmental purposes only and forms no part of the claimed design.

**1 Claim, 7 Drawing Sheets**



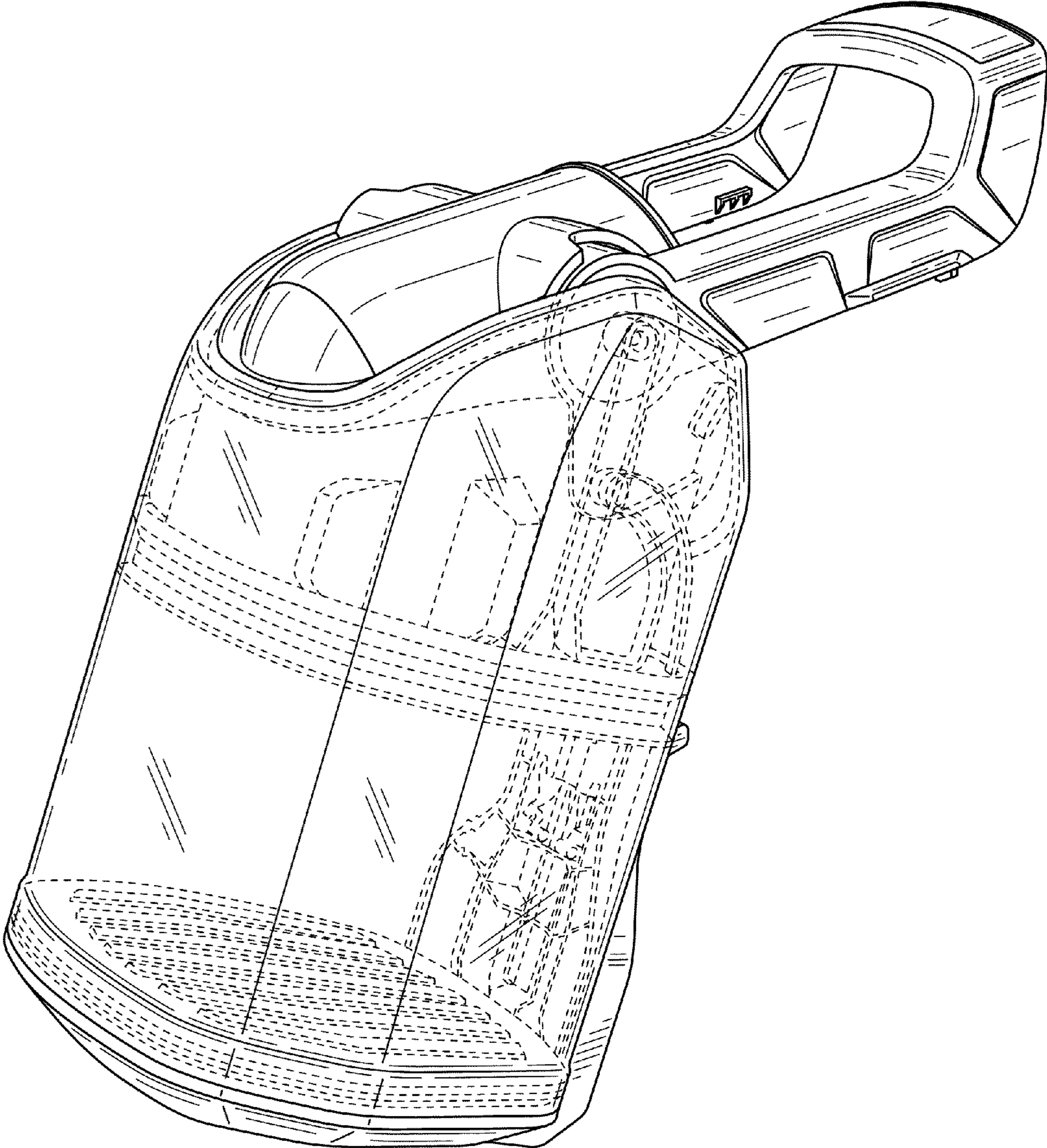


FIG. 1



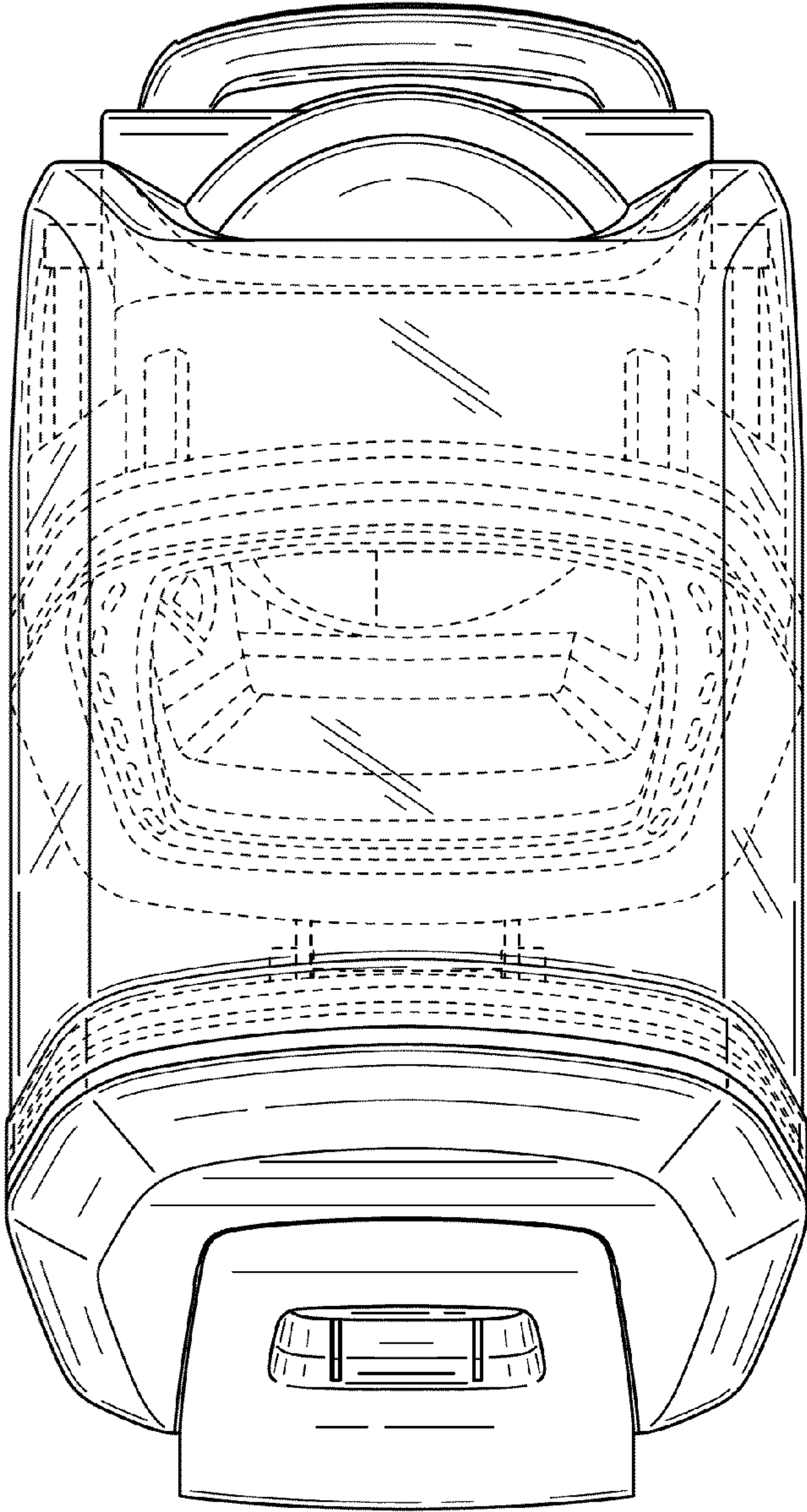


FIG. 2

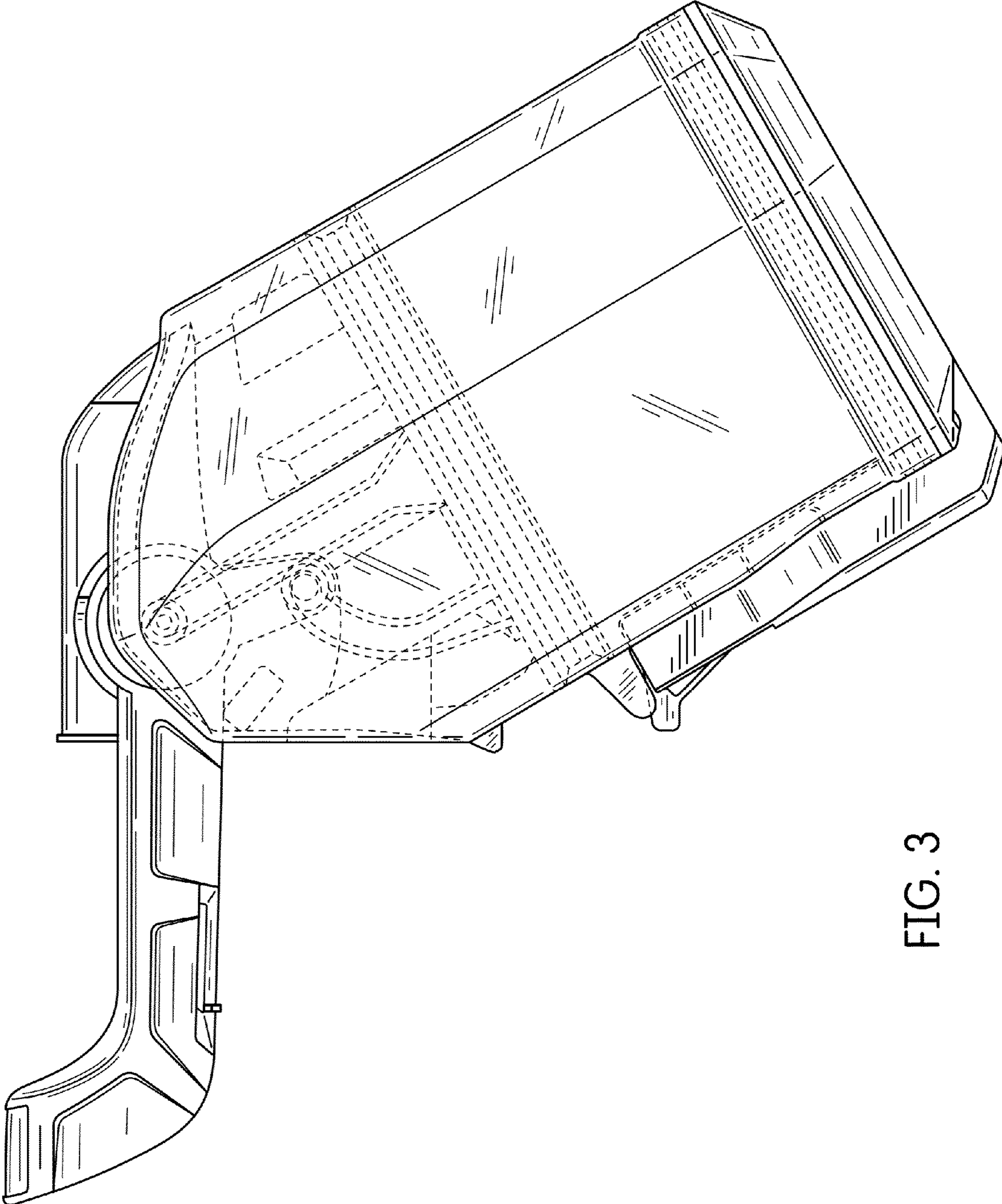


FIG. 3

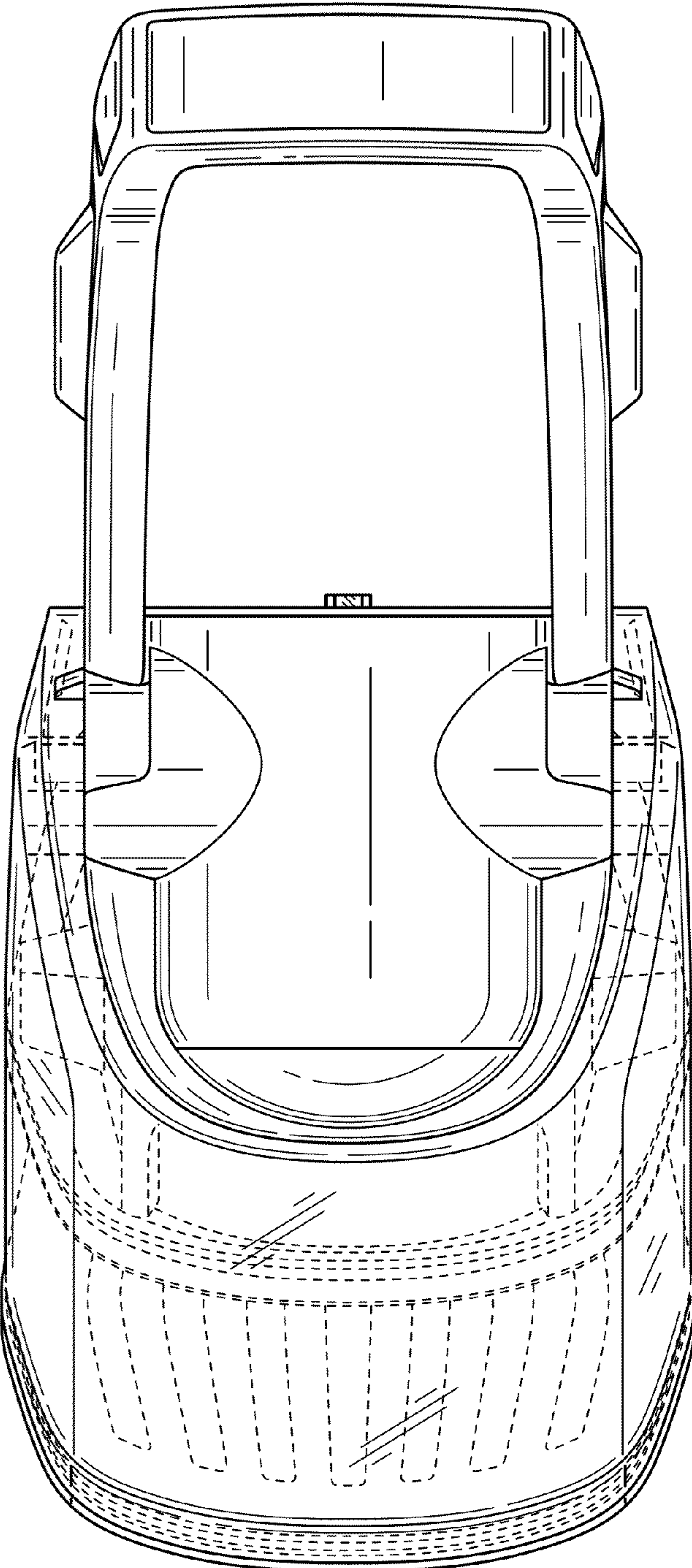


FIG. 4



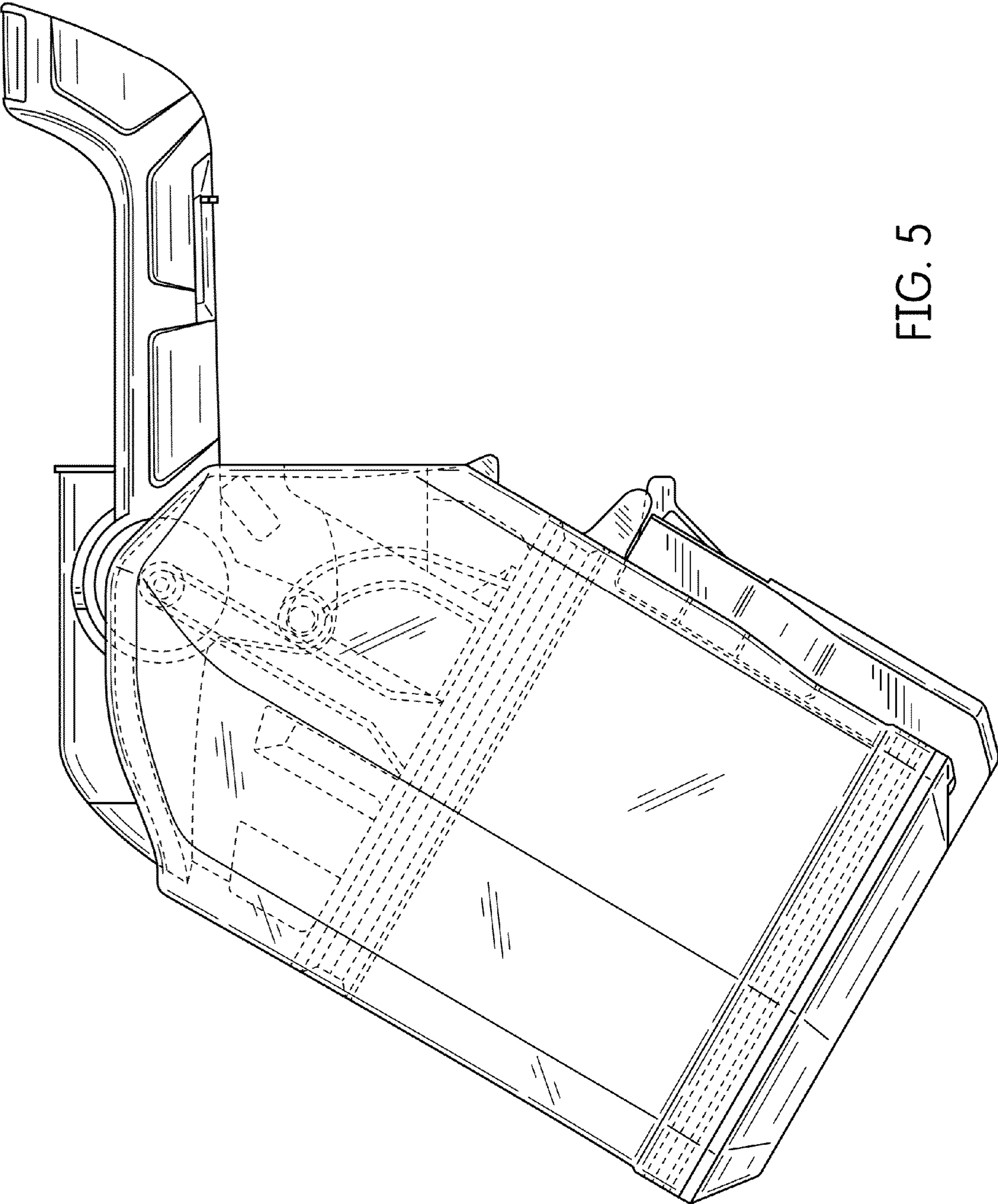


FIG. 5

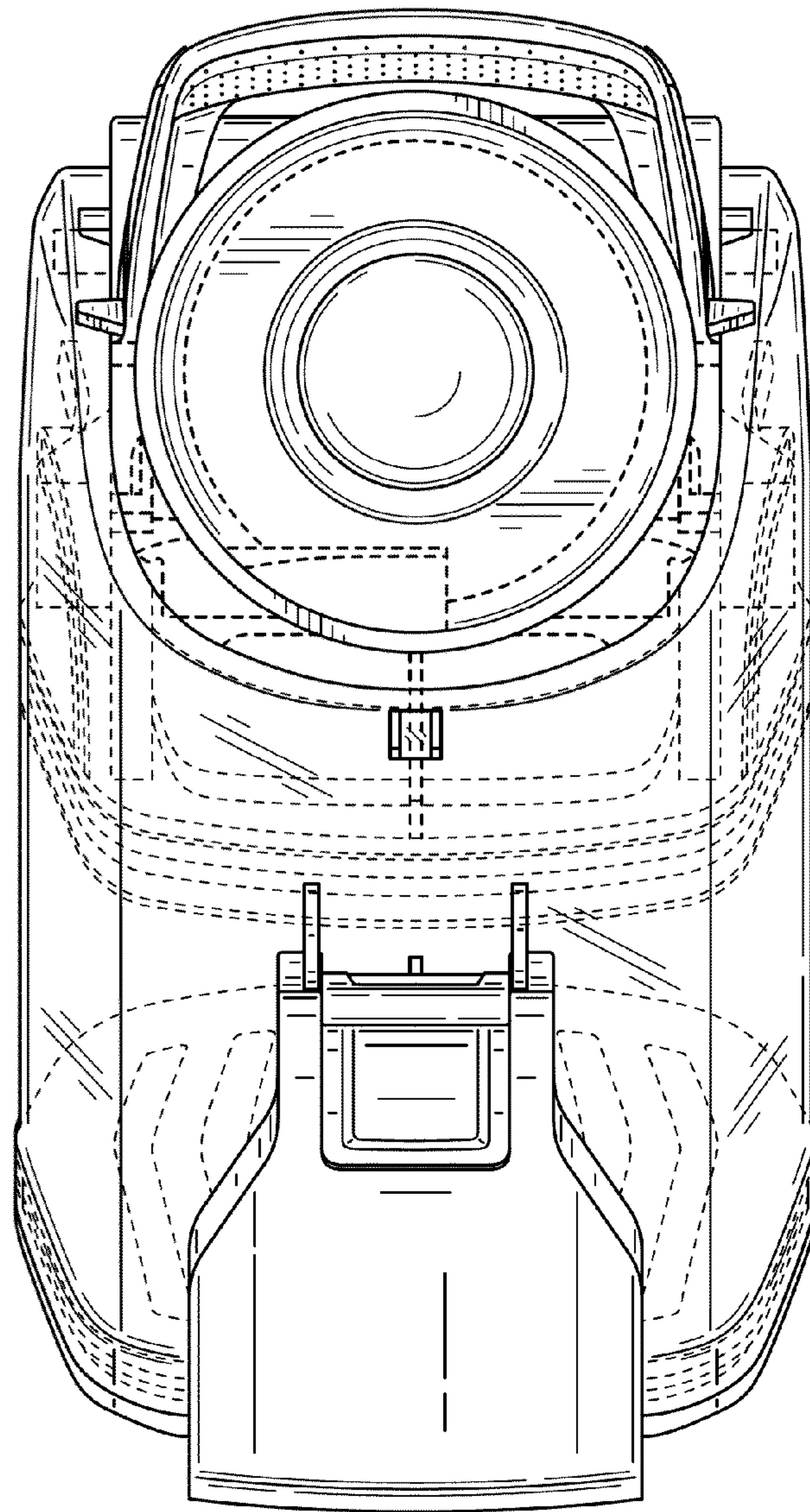


FIG. 6

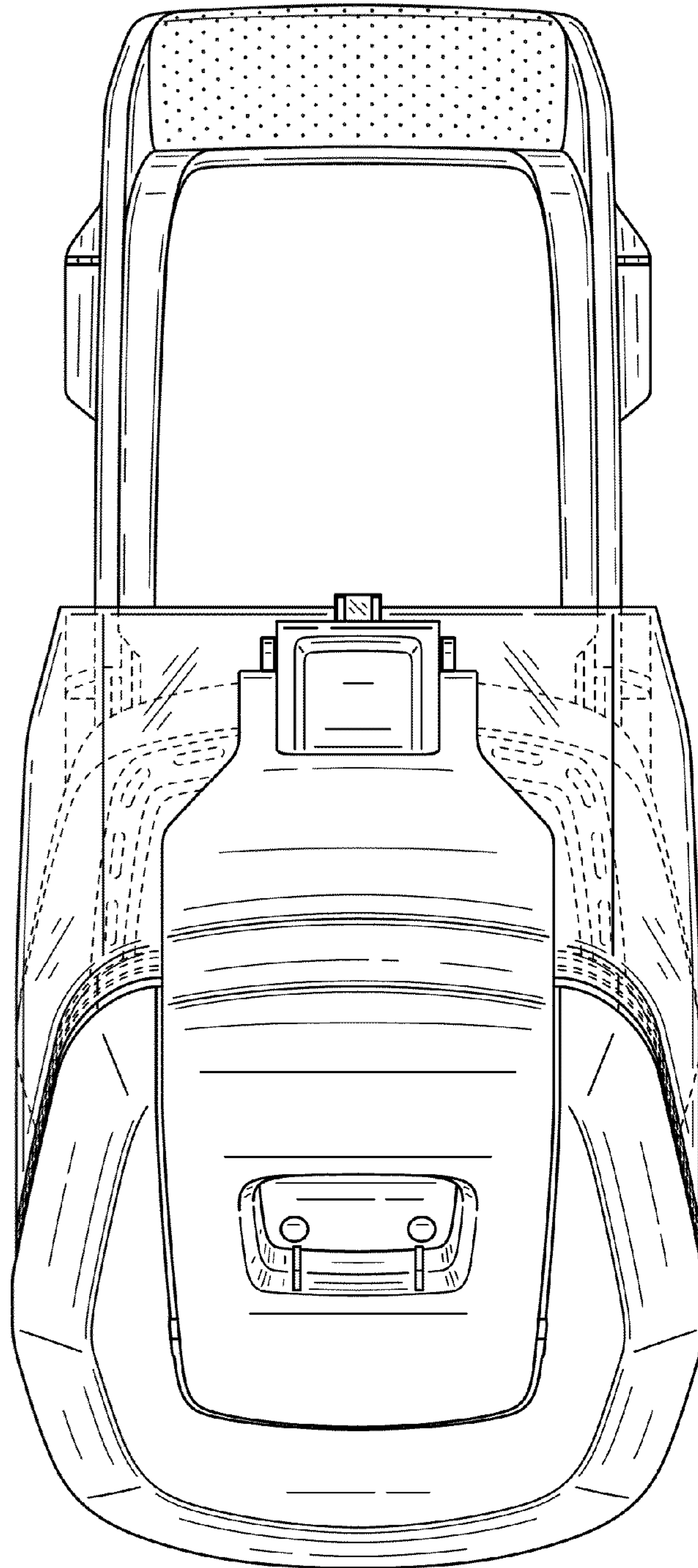


FIG. 7