



US00D718506S

(12) **United States Design Patent**
Svantesson

(10) **Patent No.:** **US D718,506 S**

(45) **Date of Patent:** **** Nov. 25, 2014**

(54) **VACUUM CLEANER**

(71) Applicant: **Aktiebolaget Electrolux**, Stockholm
(SE)

(72) Inventor: **Esbjorn Svantesson**, Taby (SE)

(73) Assignee: **Aktiebolaget Electrolux**, Stockholm
(SE)

(**) Term: **14 Years**

(21) Appl. No.: **29/450,246**

(22) Filed: **Mar. 15, 2013**

(30) **Foreign Application Priority Data**

Sep. 18, 2012 (EM) 002105353

(51) **LOC (10) Cl.** **15-05**

(52) **U.S. Cl.**
USPC **D32/31**

(58) **Field of Classification Search**

USPC D32/21, 23, 24, 30, 31; 55/378, 337,
55/447, 345, DIG. 3, 349, 429, 459.1, 395;
15/327.1, 327.2, 327.4, 327.6, 327.7,
15/347, 353, 337, 411

See application file for complete search history.

(56) **References Cited**

U.S. PATENT DOCUMENTS

D505,761 S * 5/2005 Gammack et al. D32/21
D553,311 S * 10/2007 Shin D32/21

D554,308 S * 10/2007 Shin D32/21
D556,962 S * 12/2007 Choi et al. D32/21
D565,813 S * 4/2008 Shin D32/21
D581,112 S * 11/2008 Baek D32/21
D594,162 S * 6/2009 Knox et al. D32/21
D594,609 S * 6/2009 Dyson et al. D32/21
D600,415 S * 9/2009 Svantesson D32/21
7,721,385 B2 * 5/2010 Genn et al. 15/347
D620,654 S * 7/2010 Kim D32/21
D647,264 S * 10/2011 Luebbering et al. D32/31
2006/0213023 A1 * 9/2006 Hare et al. 15/327.2

* cited by examiner

Primary Examiner — Ruth McInroy

(74) *Attorney, Agent, or Firm* — Banner & Witcoff, Ltd.

(57) **CLAIM**

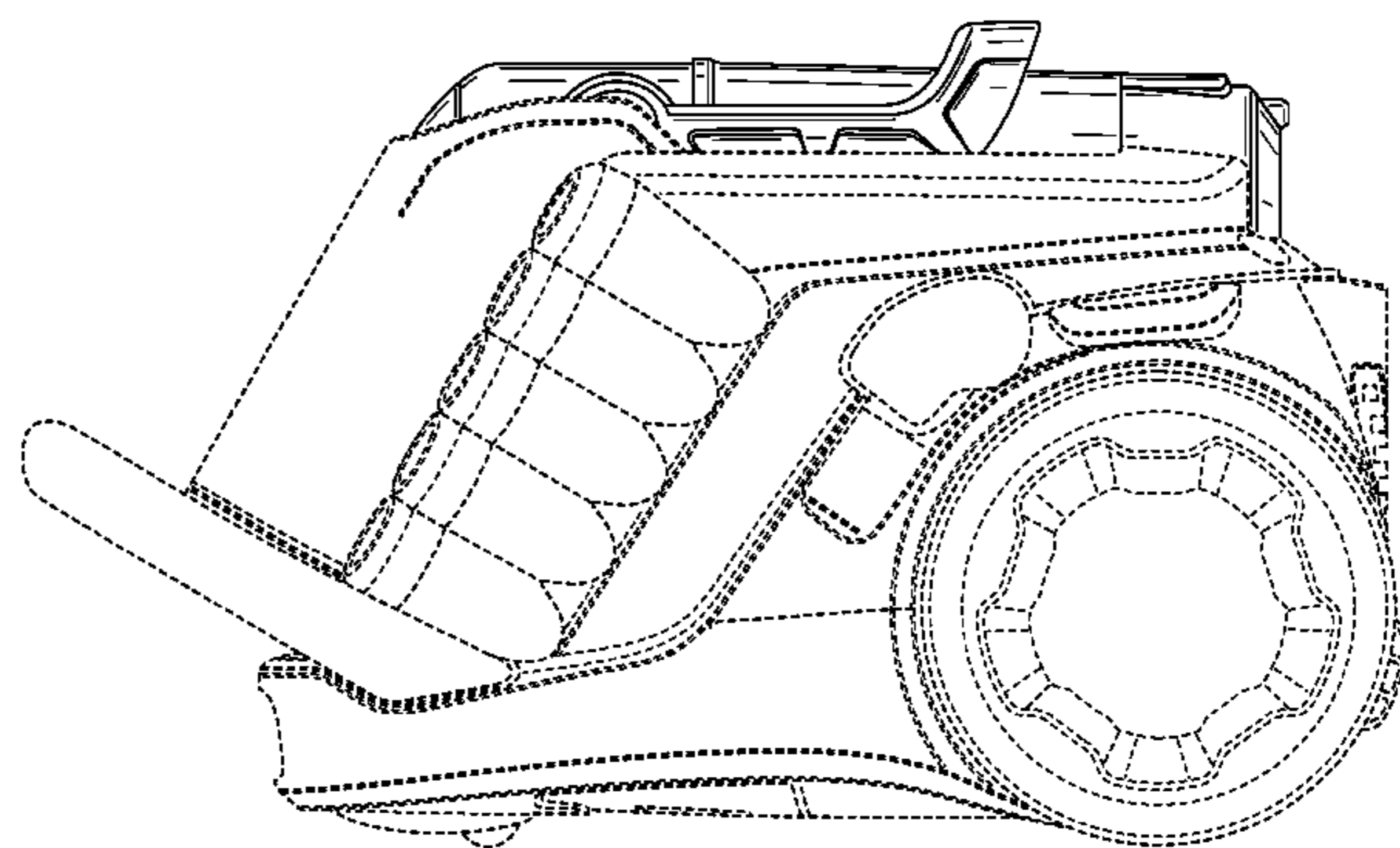
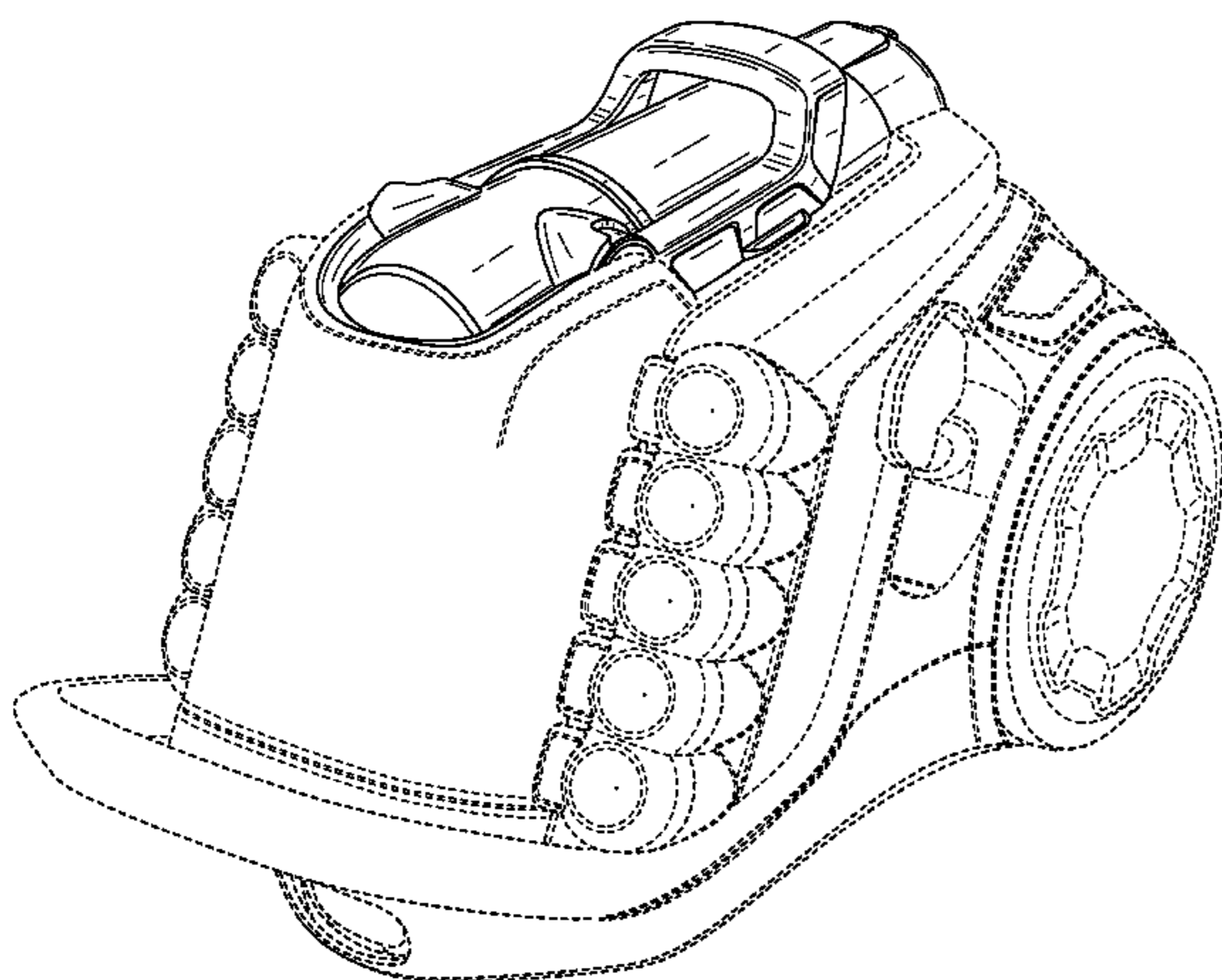
The ornamental design for a vacuum cleaner, as shown and described.

DESCRIPTION

FIG. 1 is a perspective view of a vacuum cleaner showing my new design;
FIG. 2 is a right side view thereof,
FIG. 3 is a front view thereof;
FIG. 4 is a left side view thereof;
FIG. 5 is a top plan view thereof; and,
FIG. 6 is a rear view thereof.

The broken line showing of the remainder of the vacuum is for environmental purposes only and forms no part of the claimed design.

1 Claim, 6 Drawing Sheets



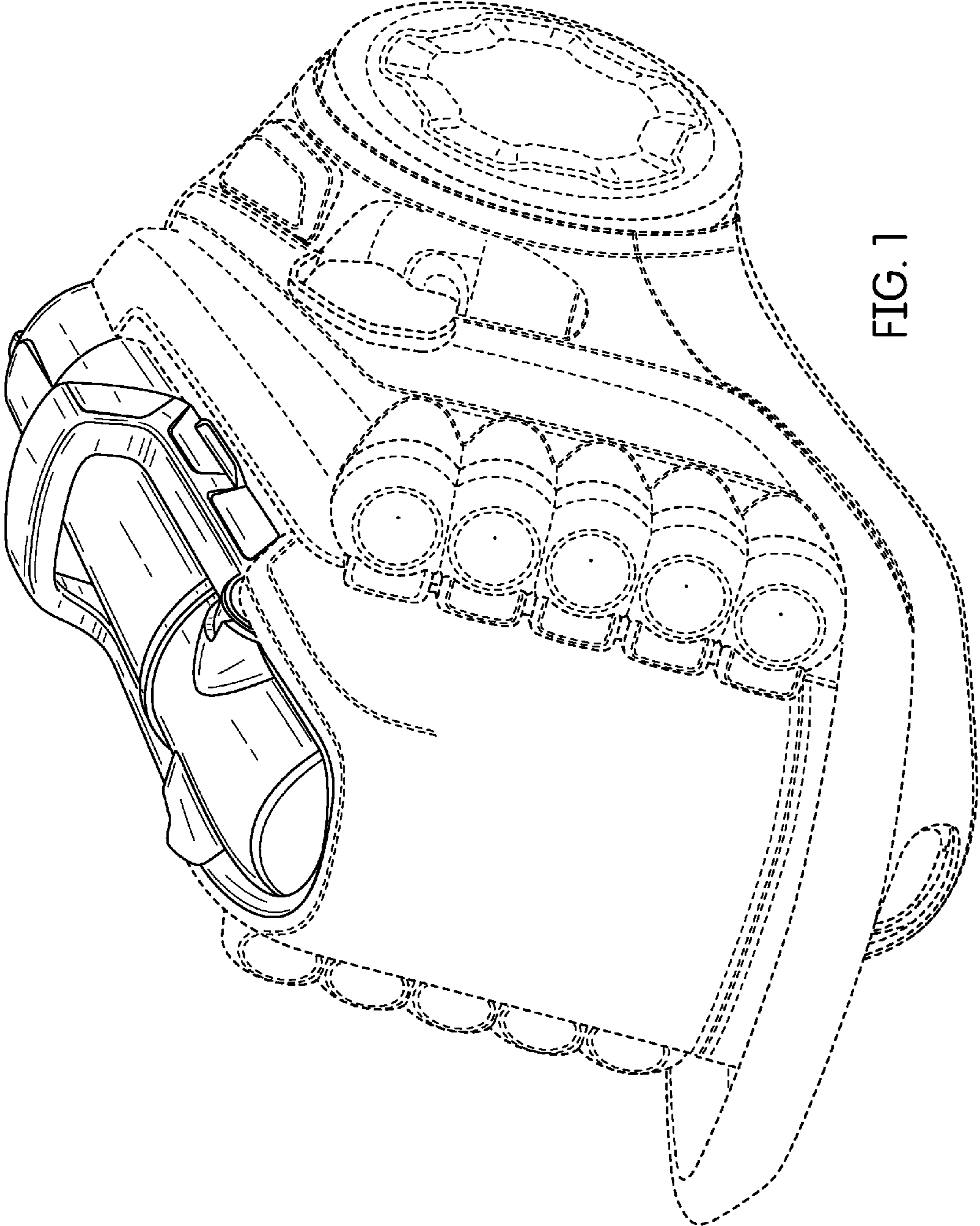


FIG. 1

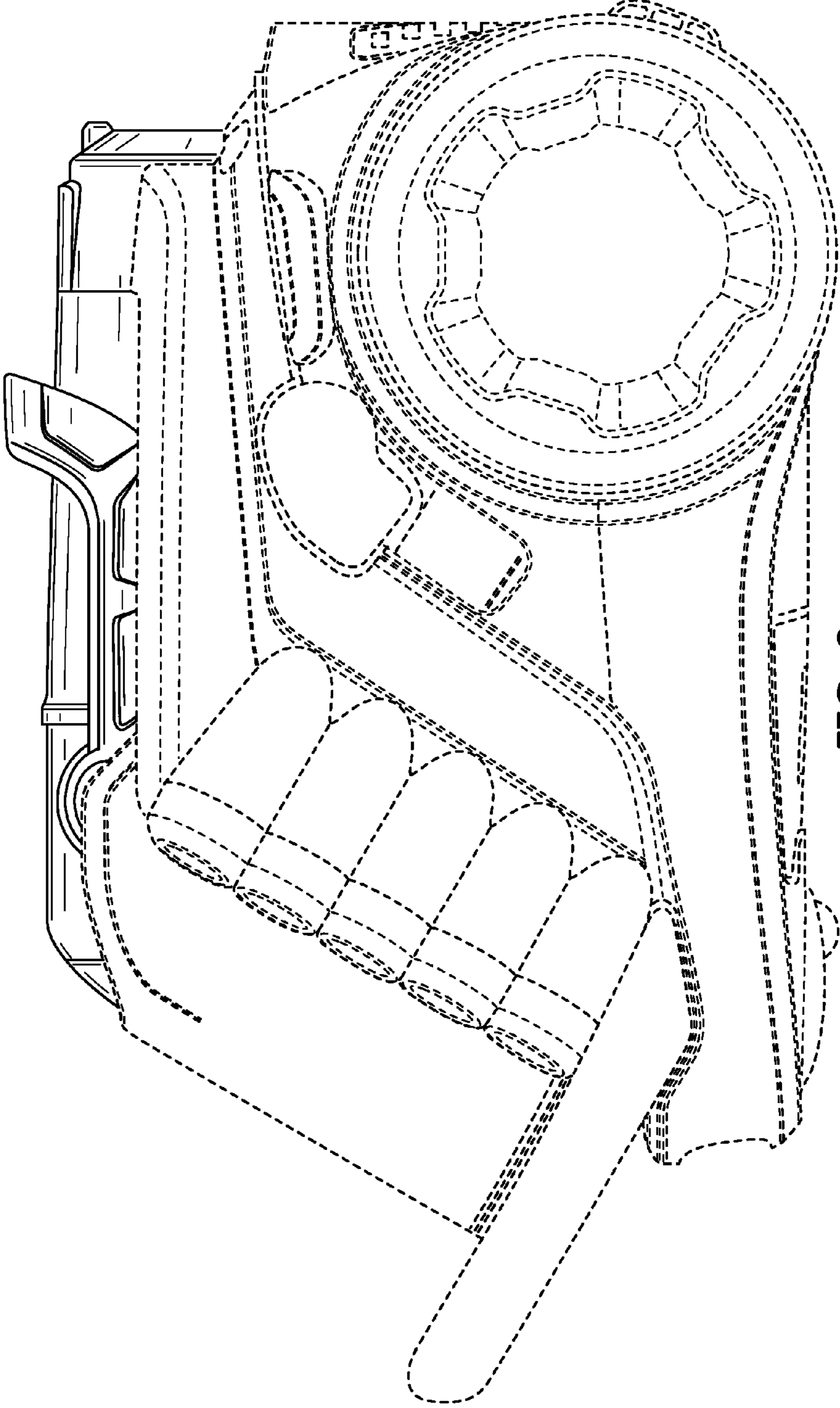


FIG. 2

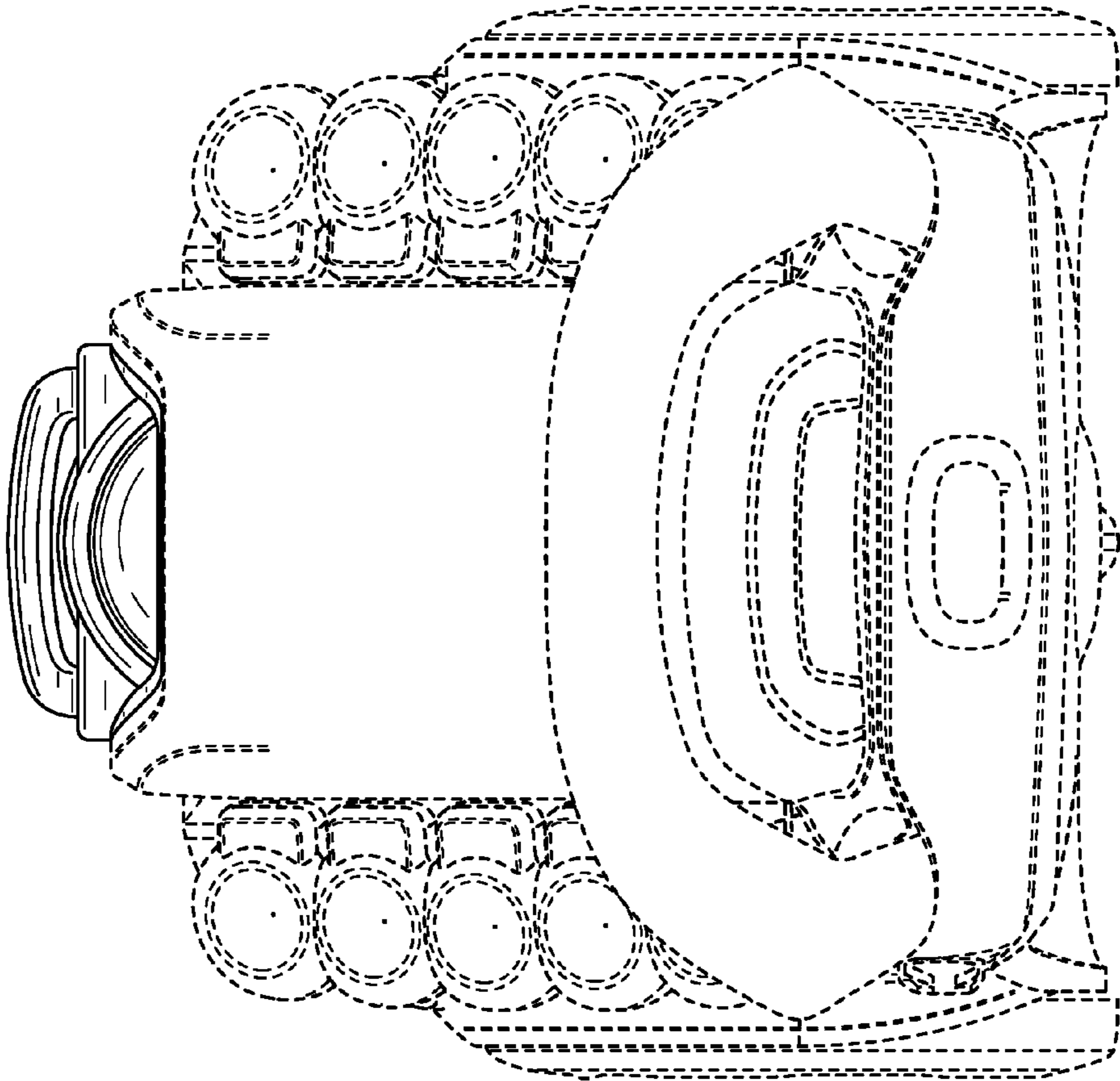


FIG. 3

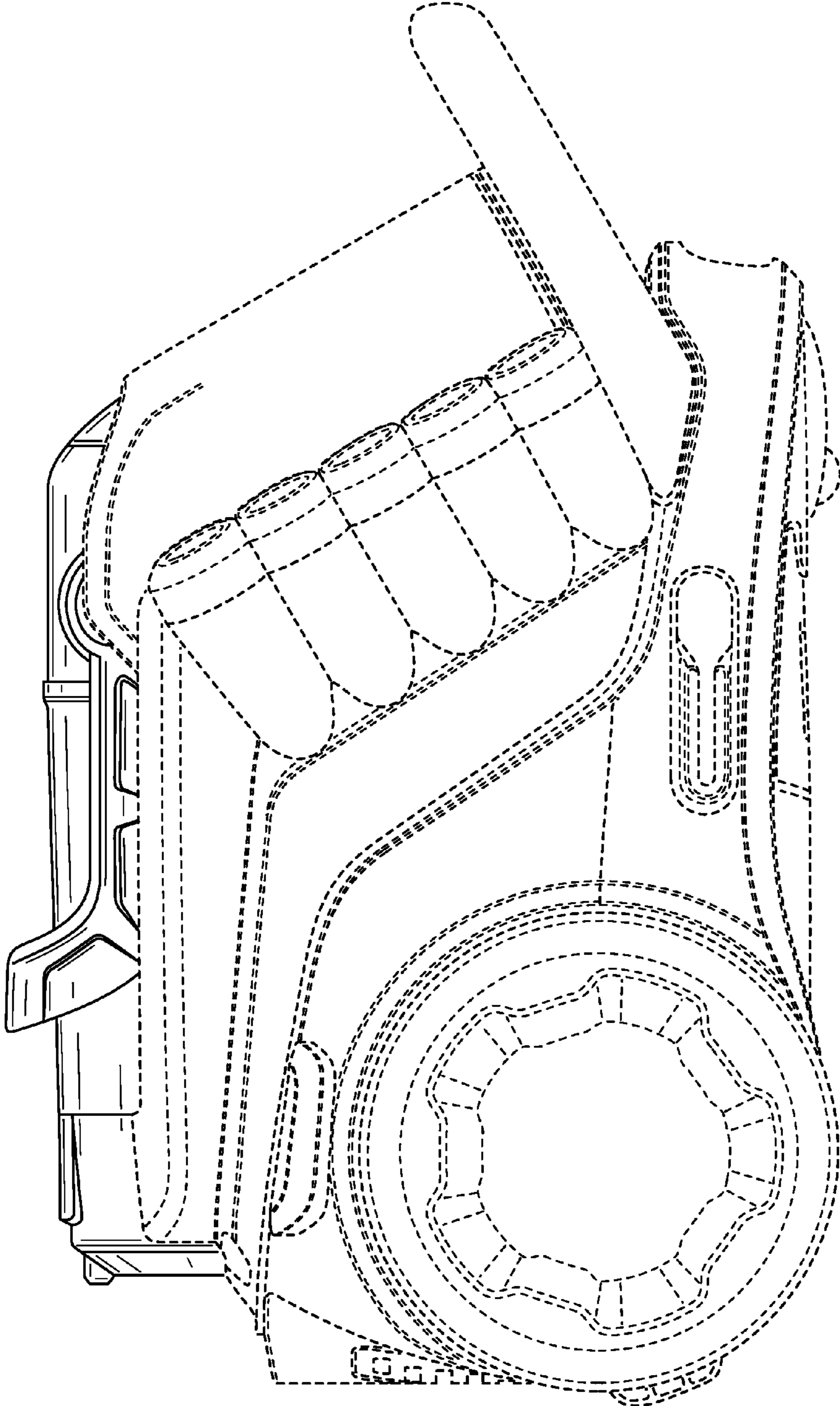


FIG. 4

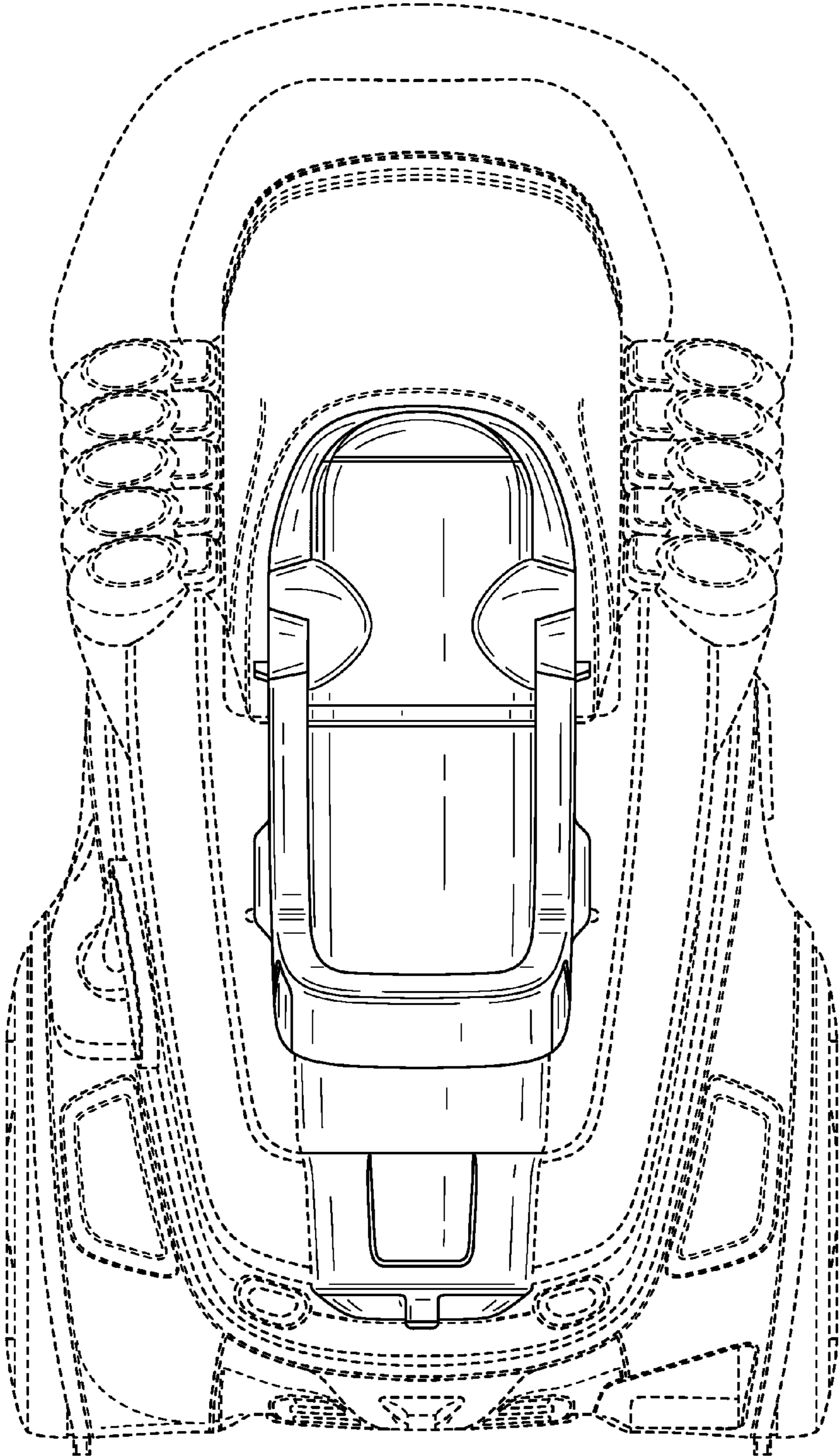


FIG. 5

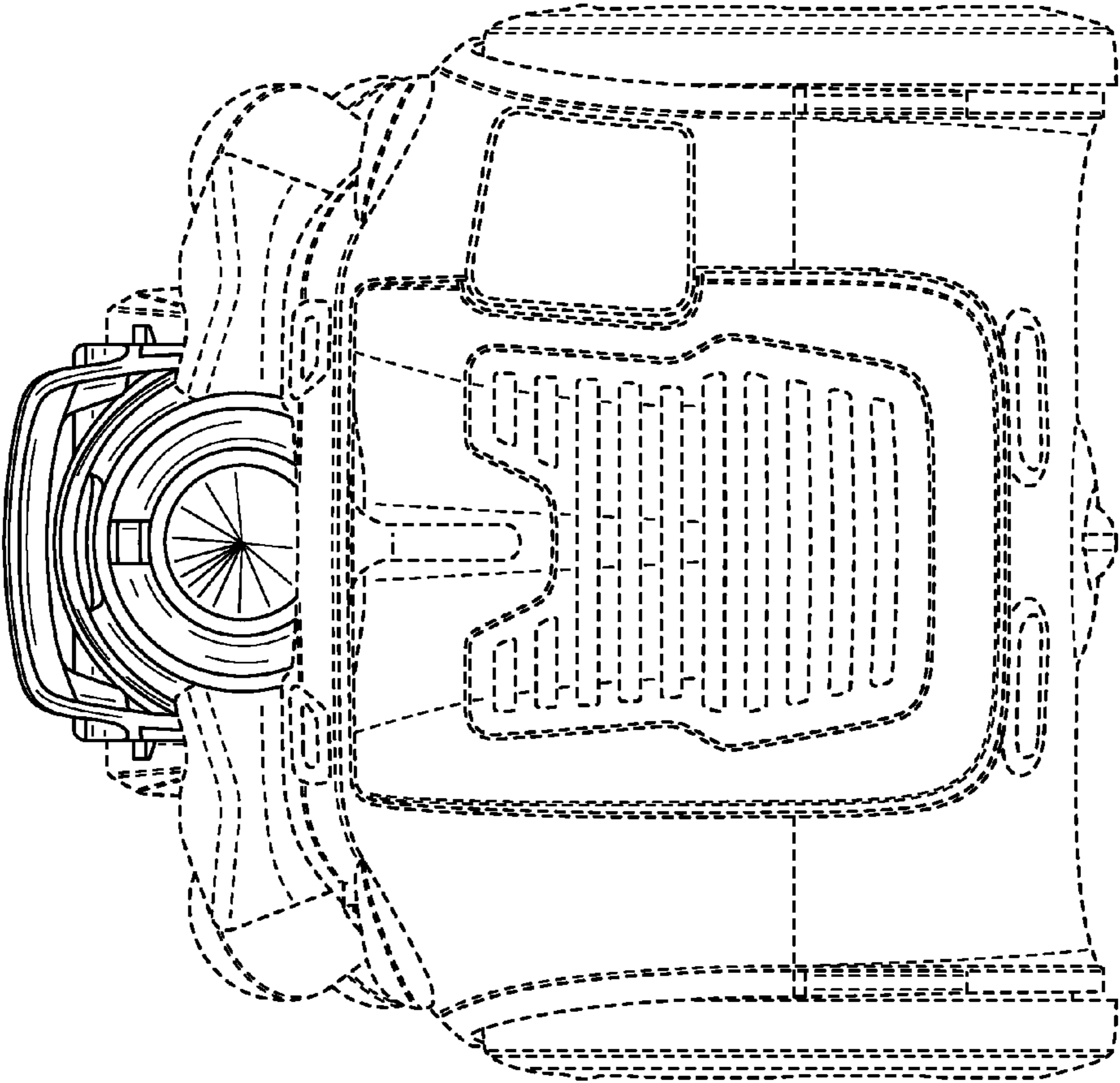


FIG. 6