



US00D718504S

(12) **United States Design Patent**  
**Carter et al.**

(10) **Patent No.:** **US D718,504 S**  
(45) **Date of Patent:** **\*\* Nov. 25, 2014**

(54) **VACUUM CLEANER**

(71) Applicant: **Techtronic Floor Care Technology Limited**, Tortola (VG)

(72) Inventors: **Daniel William Carter**, Birmingham (GB); **Ross Kemp**, Nottingham (GB); **James Grant**, West Midlands (GB)

(73) Assignee: **Techtronic Floor Care Technology Limited**, Tortola (VG)

(\*\*) Term: **14 Years**

(21) Appl. No.: **29/464,863**

(22) Filed: **Aug. 21, 2013**

(30) **Foreign Application Priority Data**

Feb. 21, 2013 (CN) ..... 2013 3 0043007  
May 28, 2013 (CN) ..... 2013 3 0213025

(51) **LOC (10) Cl.** ..... **15-05**

(52) **U.S. Cl.**  
USPC ..... **D32/21**

(58) **Field of Classification Search**  
USPC ..... D32/21, 23-24, 31; 15/327.1-327.7,  
15/352, 353, 321, 347, 329; 55/429,  
55/DIG. 3, 337; D12/204, 207, 209, 13,  
D12/215; D21/563

See application file for complete search history.

(56) **References Cited**

**U.S. PATENT DOCUMENTS**

D445,226 S \* 7/2001 Jupp ..... D32/21  
6,484,350 B2 \* 11/2002 Yung ..... 15/327.1  
D476,783 S \* 7/2003 Kondo et al. .... D32/21  
7,000,288 B2 \* 2/2006 Nighy ..... 15/327.1  
D534,696 S \* 1/2007 Choi ..... D32/21

D550,908 S 9/2007 Shin  
D550,909 S 9/2007 Shin  
D550,910 S 9/2007 Shin  
D552,310 S \* 10/2007 Shin ..... D32/21  
D552,811 S 10/2007 Shin  
D553,311 S 10/2007 Shin  
D556,400 S \* 11/2007 Houghton ..... D32/21  
7,380,308 B2 \* 6/2008 Oh et al. .... 15/327.2  
D594,162 S 6/2009 Knox et al.  
D646,030 S \* 9/2011 Carr et al. .... D32/21  
D646,031 S \* 9/2011 Carr et al. .... D32/21  
D653,823 S 2/2012 Kim et al.  
D657,508 S \* 4/2012 Dyson et al. .... D32/21  
D702,901 S 4/2014 Fjellman  
D707,407 S 6/2014 Okabe et al.  
2002/0069476 A1 \* 6/2002 Yung ..... 15/352  
2013/0025086 A1 \* 1/2013 Komae et al. .... 15/347

\* cited by examiner

*Primary Examiner* — Ruth McInroy

(74) *Attorney, Agent, or Firm* — Michael Best & Friedrich LLP

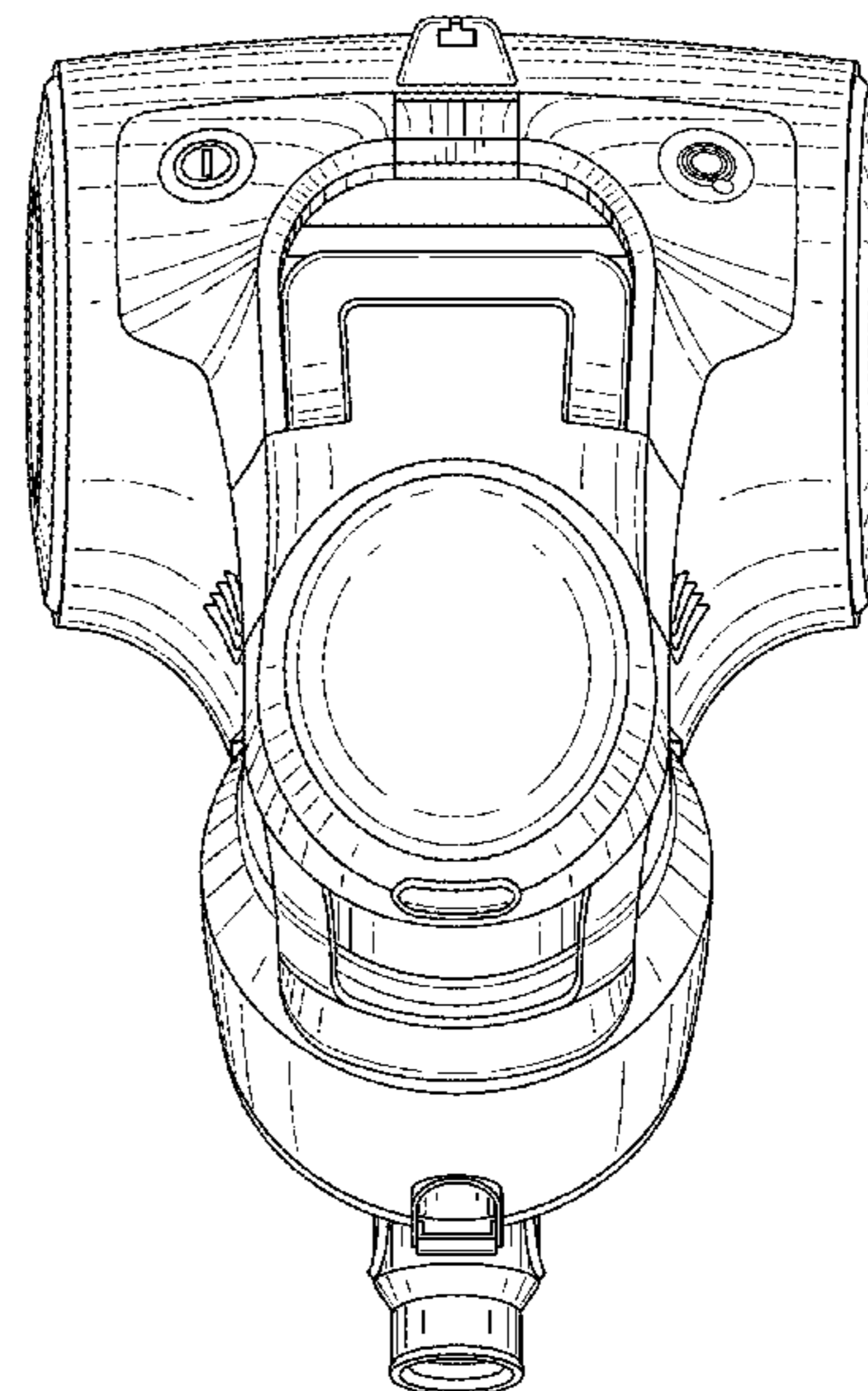
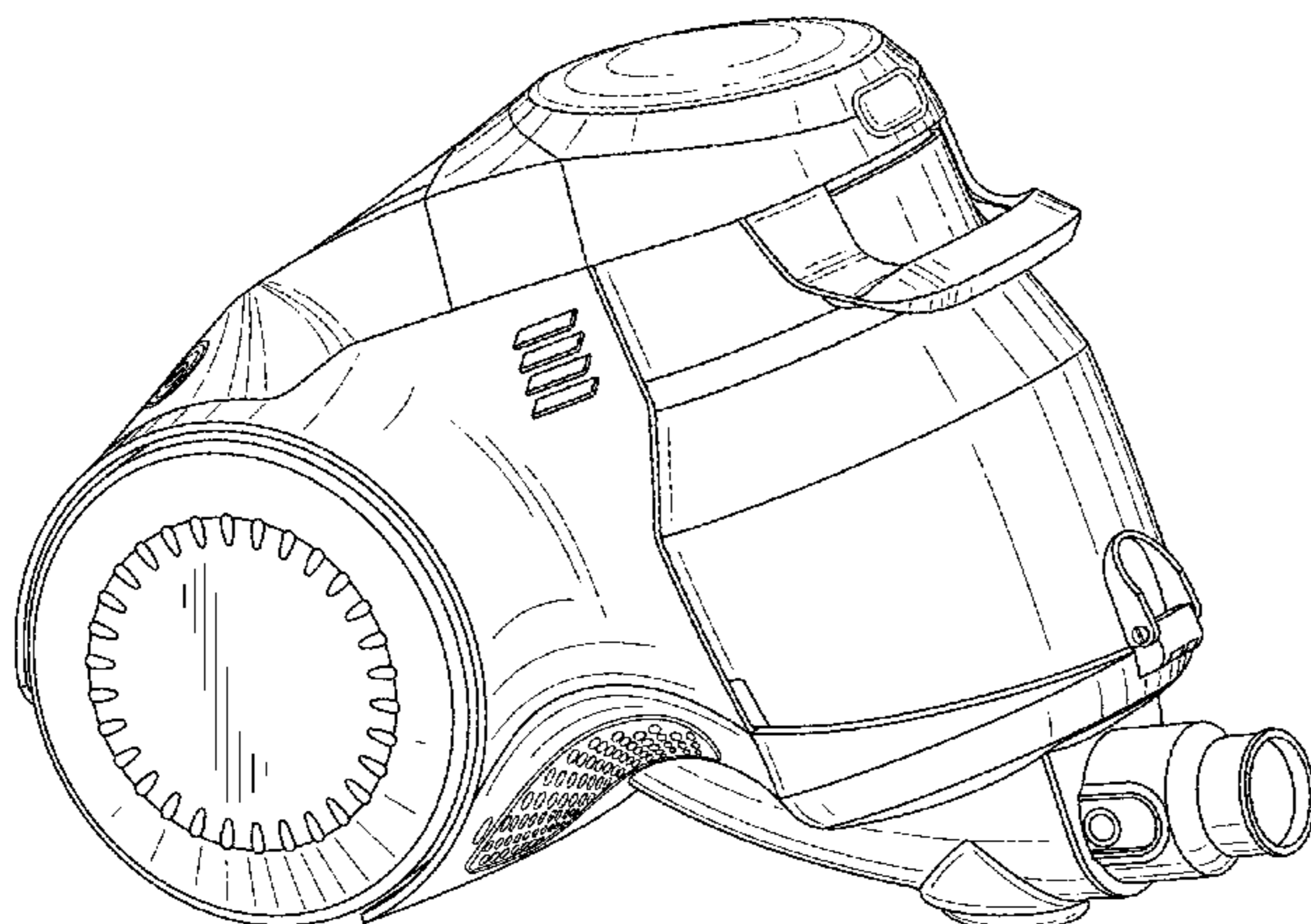
(57) **CLAIM**

We claim the ornamental design for a vacuum cleaner, as shown and described.

**DESCRIPTION**

FIG. 1 is a perspective view of a vacuum cleaner embodying the invention;  
FIG. 2 is a right side view of the vacuum cleaner of FIG. 1;  
FIG. 3 is a left side view of the vacuum cleaner of FIG. 1;  
FIG. 4 is a front view of the vacuum cleaner of FIG. 1;  
FIG. 5 is a rear view of the vacuum cleaner of FIG. 1;  
FIG. 6 is a top view of the vacuum cleaner of FIG. 1; and,  
FIG. 7 is a bottom view of the vacuum cleaner of FIG. 1.  
The elements shown in broken lines are included for the purpose of illustrating environment and form no part of the claimed design.

**1 Claim, 7 Drawing Sheets**



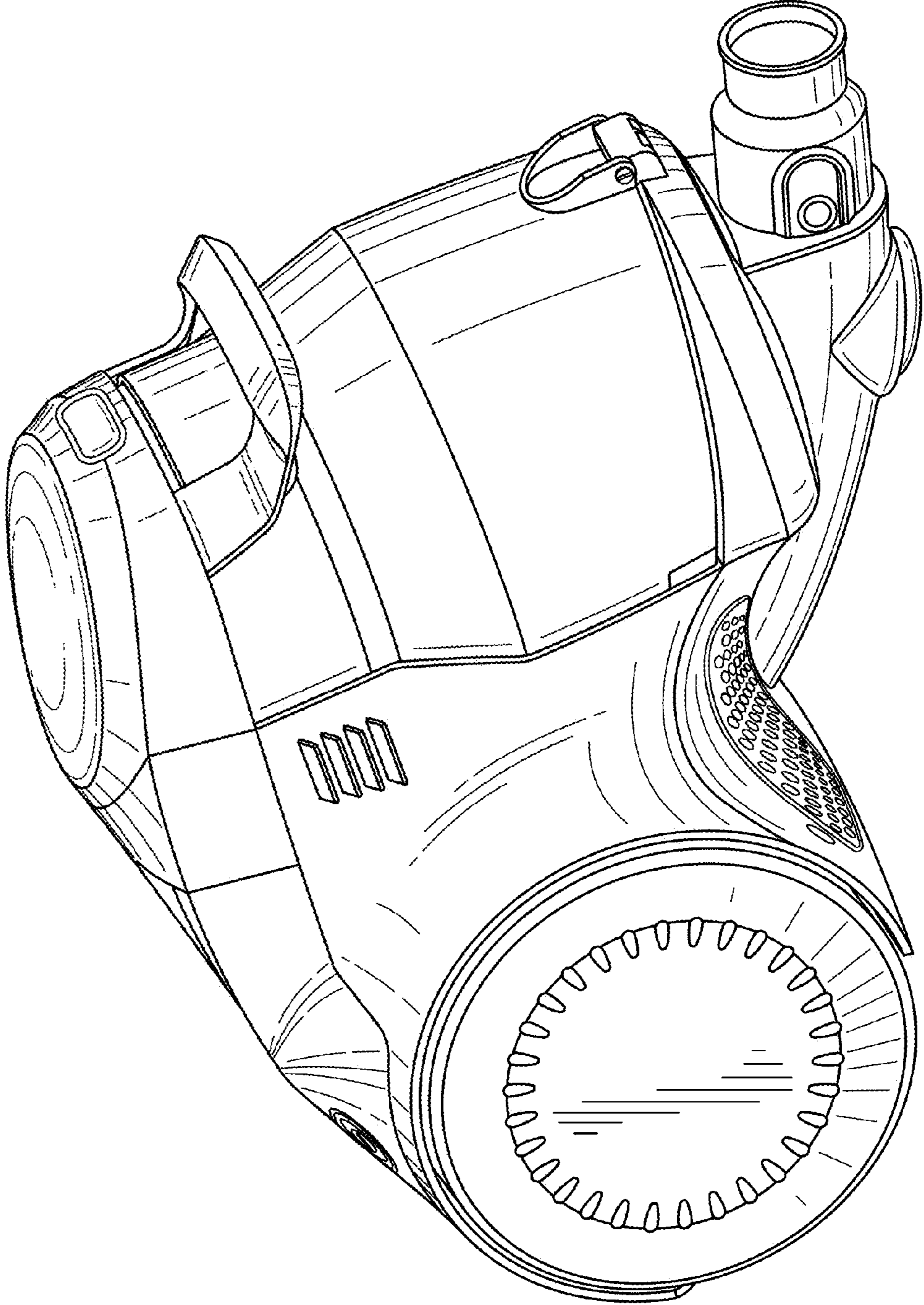


FIG. 1

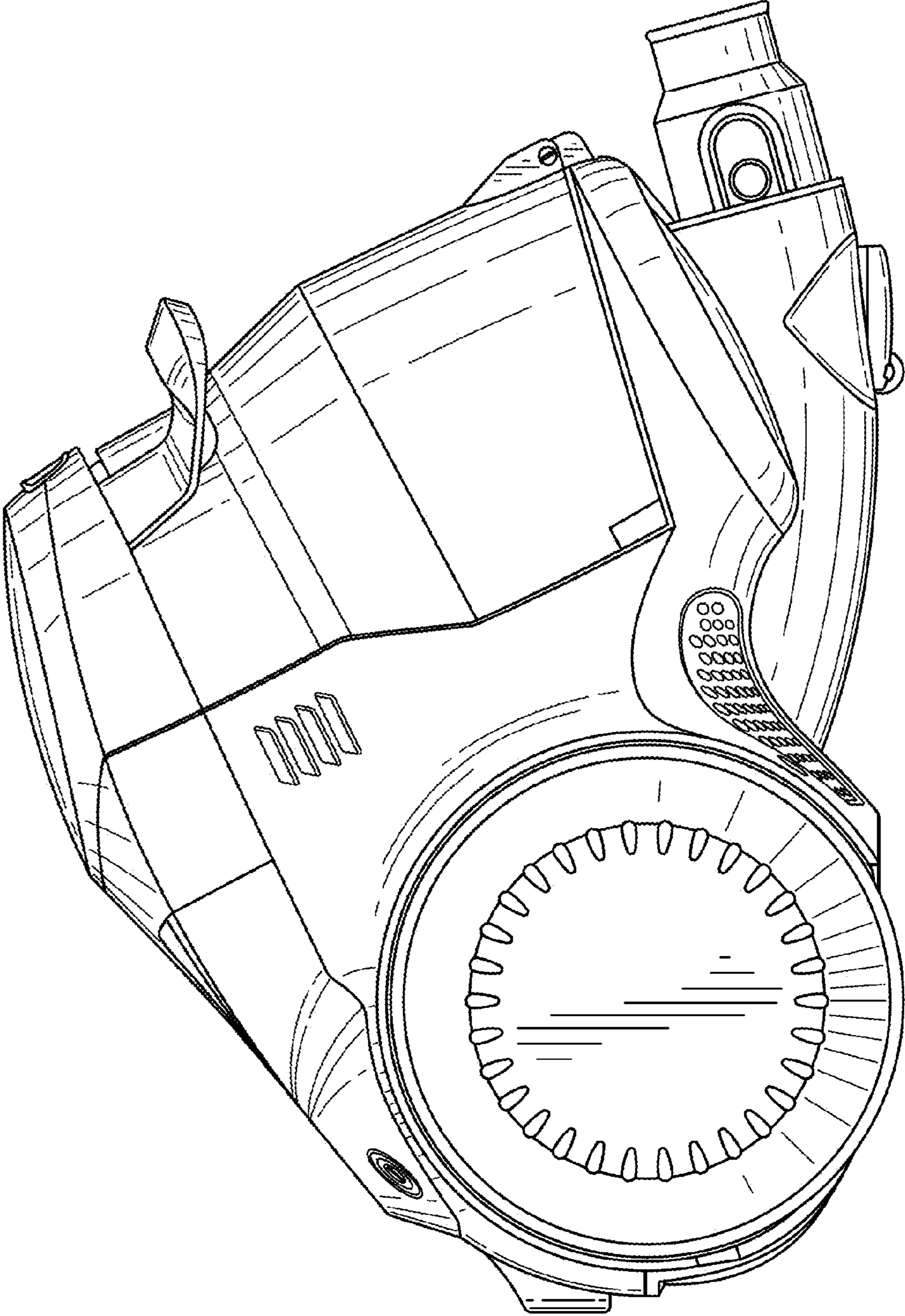


FIG. 2

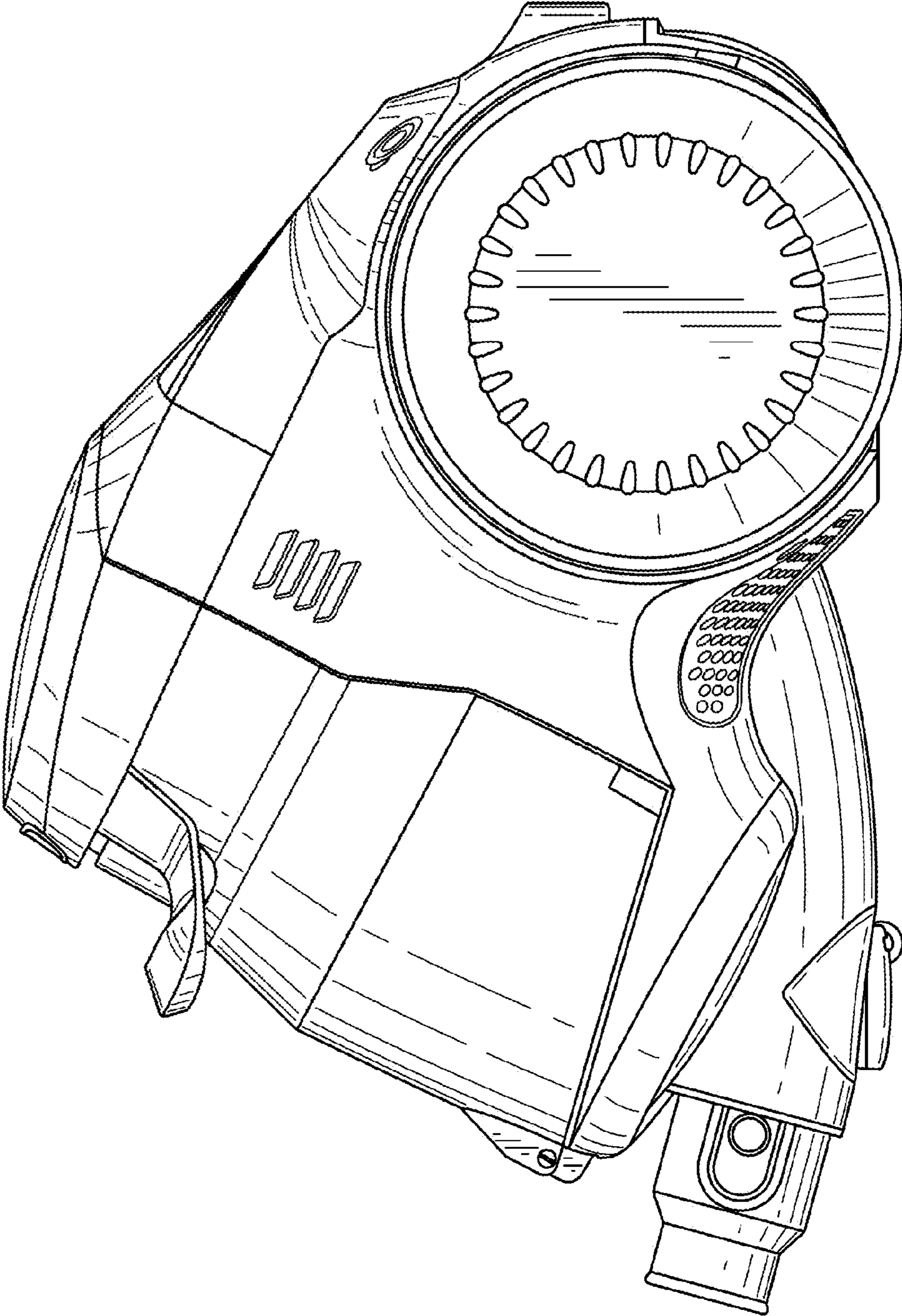
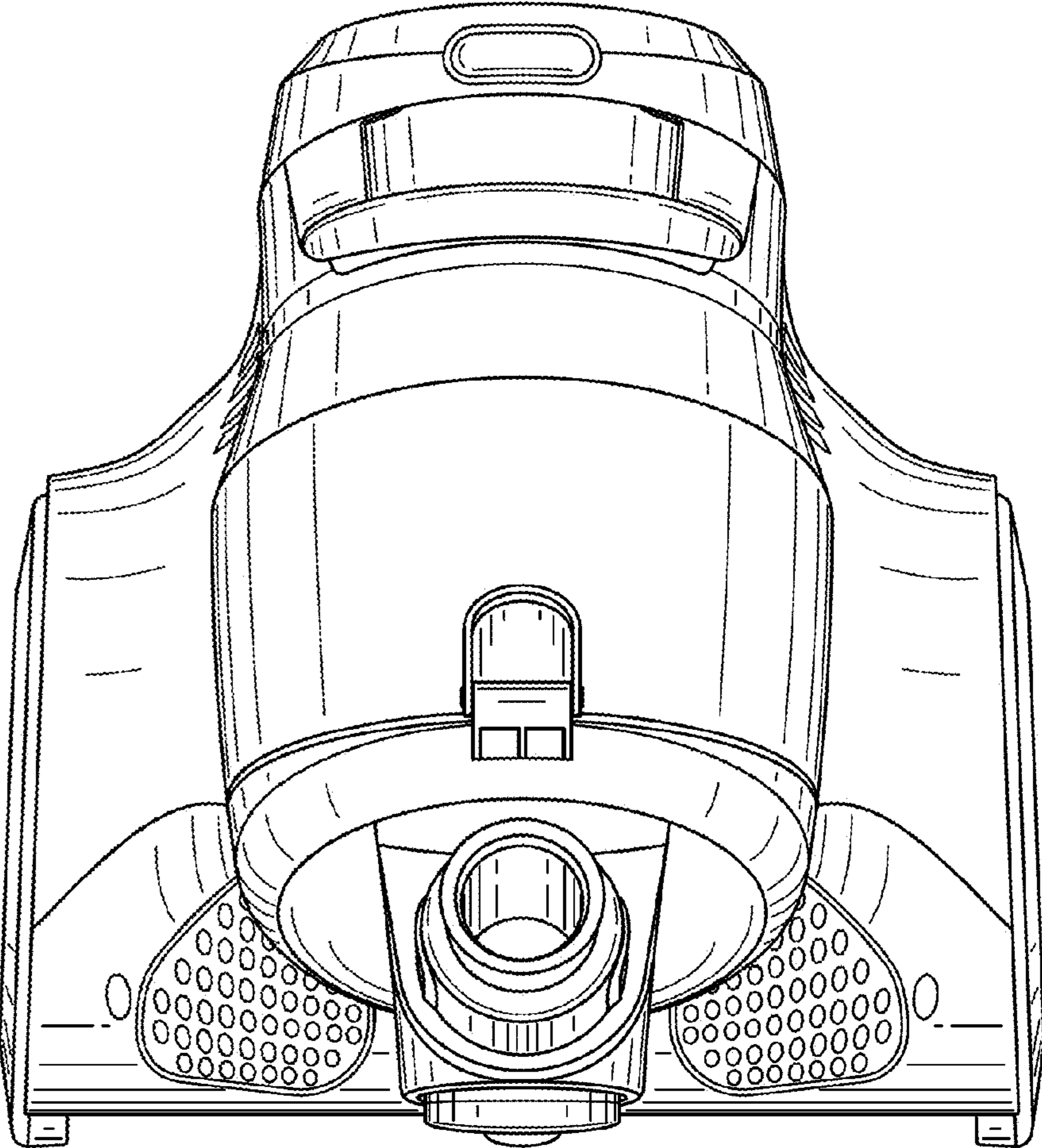
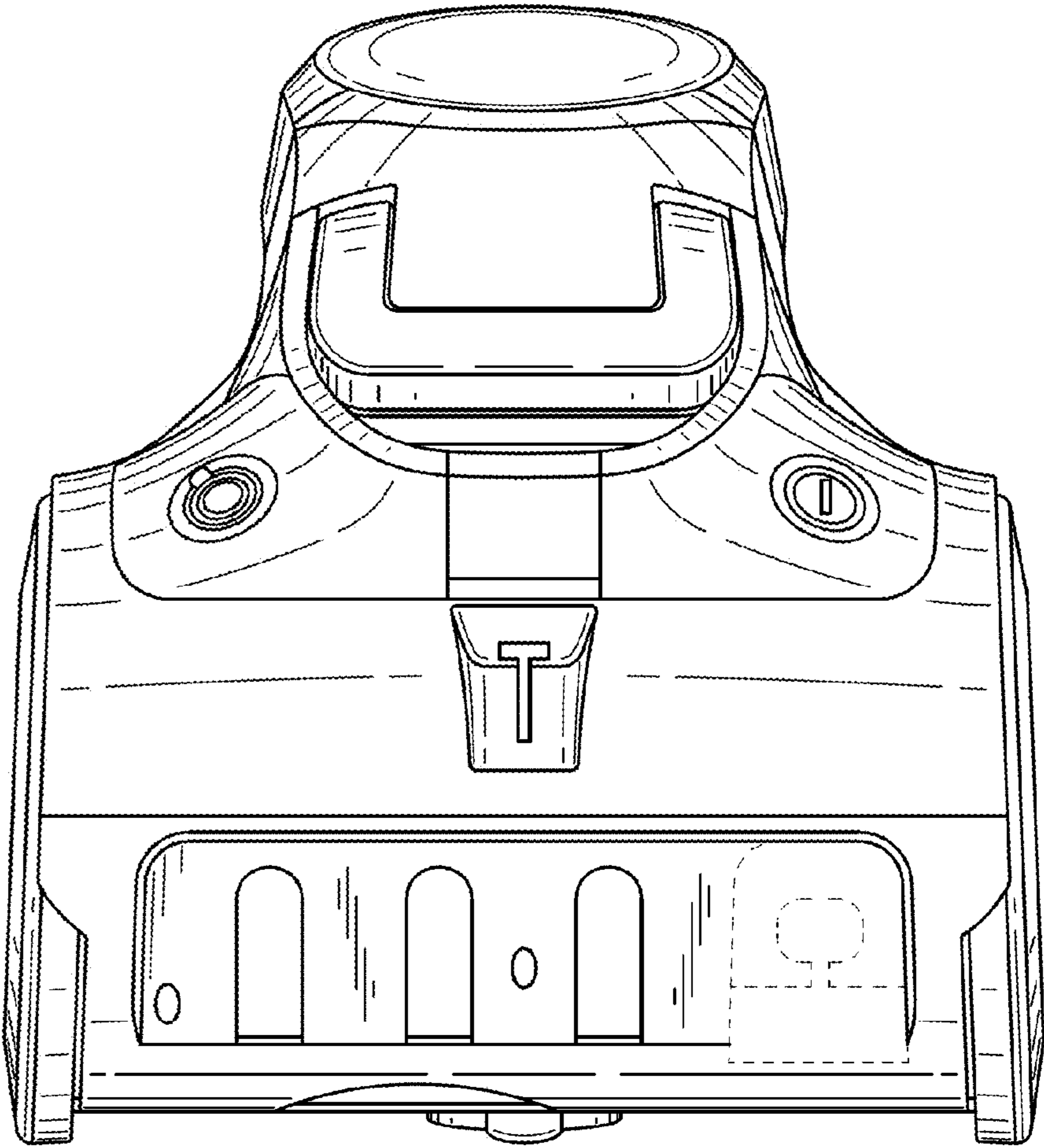


FIG. 3



**FIG. 4**



**FIG. 5**

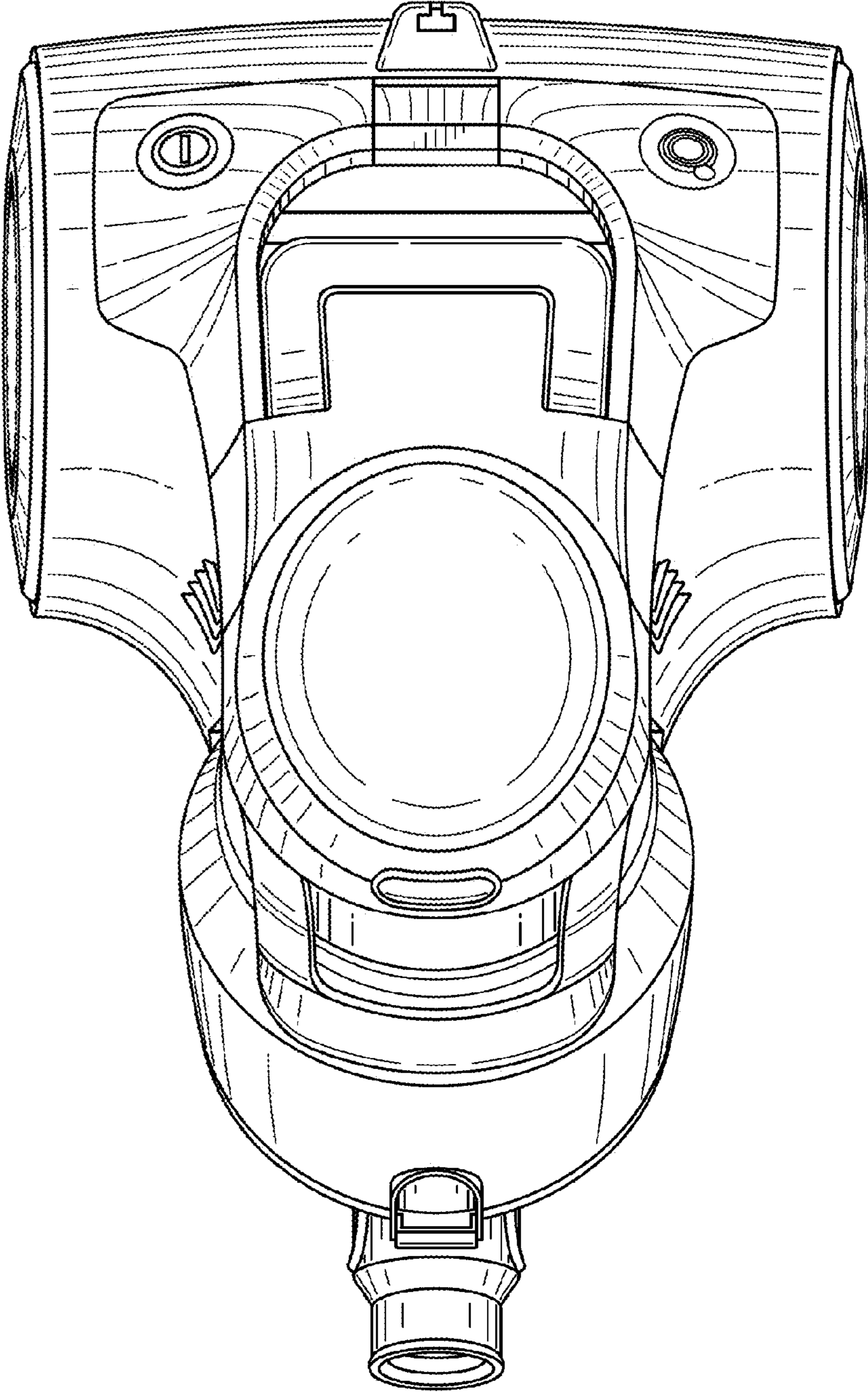


FIG. 6

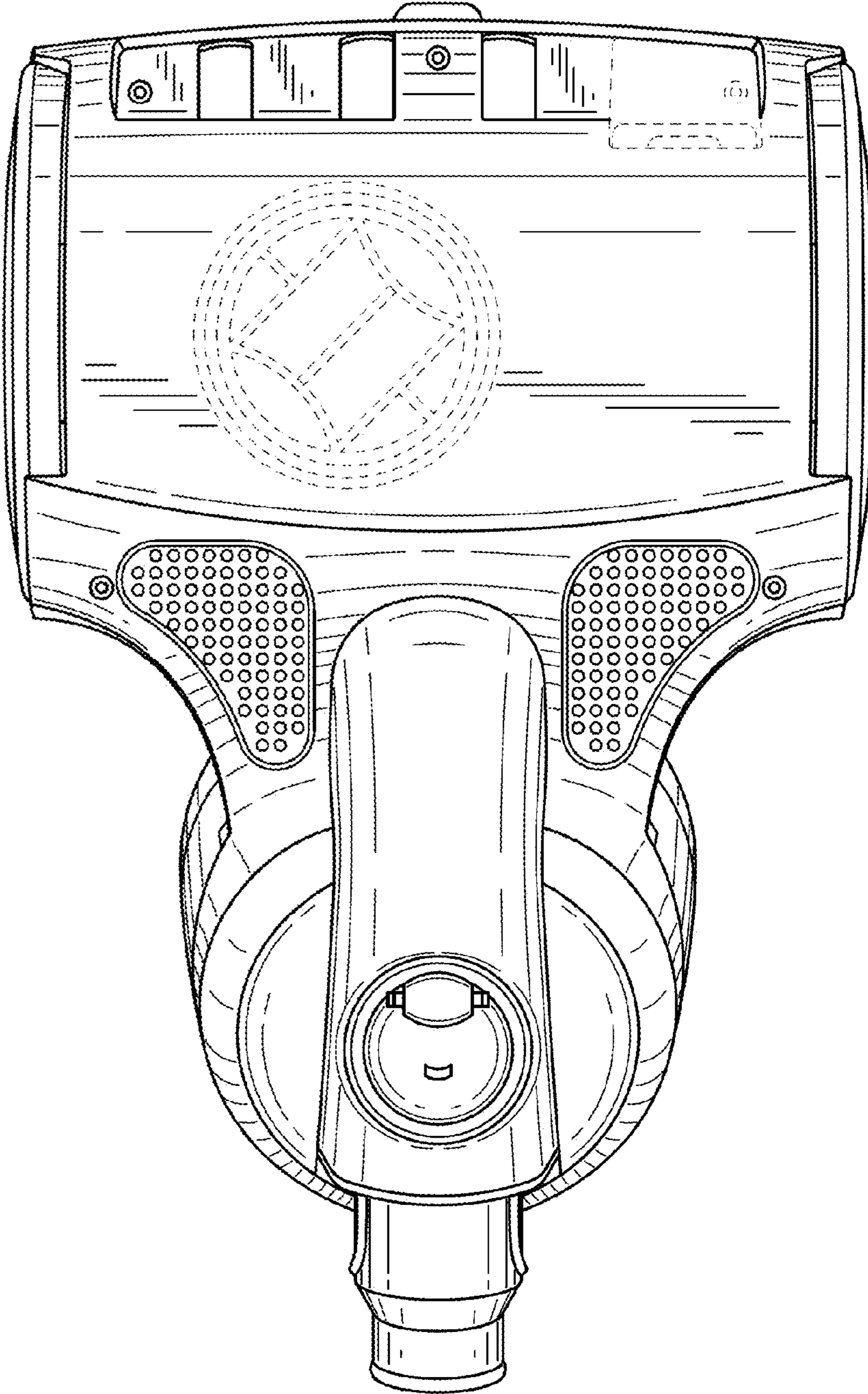


FIG. 7