



US00D718503S

(12) **United States Design Patent**
Jang et al.

(10) **Patent No.:** **US D718,503 S**

(45) **Date of Patent:** **** Nov. 25, 2014**

(54) **VACUUM CLEANER**

(71) Applicant: **Samsung Electronics Co., Ltd.**,
Suwon-si (KR)

(72) Inventors: **Jae-Ho Jang**, Seoul (KR); **Dong-Won Chun**, Paju-Si (KR)

(73) Assignee: **Samsung Electronics Co., Ltd.**,
Suwon-si (KR)

(**) Term: **14 Years**

(21) Appl. No.: **29/455,313**

(22) Filed: **May 20, 2013**

(30) **Foreign Application Priority Data**

Nov. 30, 2012 (KR) 30-2012-0057564

(51) **LOC (10) Cl.** **15-05**

(52) **U.S. Cl.**
USPC **D32/21**

(58) **Field of Classification Search**

USPC D32/21, 23-24, 31; 15/327.1-327.7,
15/352, 353, 321, 347, 329; 55/429,
55/DIG. 3, 337; D12/204, 207, 209, 13,
D12/215; D21/563

See application file for complete search history.

(56) **References Cited**

U.S. PATENT DOCUMENTS

2,769,998 A * 11/1956 Hunter 15/327.4
D182,286 S * 3/1958 Shalvoy D32/21

D417,046 S * 11/1999 Tsuruha et al. D32/21
D454,994 S * 3/2002 Harada et al. D32/21
D485,653 S * 1/2004 Warburton D32/21
D520,198 S * 5/2006 Sung D32/21
D539,492 S * 3/2007 Konno D32/21
D552,810 S * 10/2007 Shin D32/21
D618,869 S * 6/2010 Wen et al. D32/21
D657,508 S * 4/2012 Dyson et al. D32/21
D661,033 S * 5/2012 Mastio et al. D32/31
D667,180 S * 9/2012 Ghim et al. D32/21
D670,461 S * 11/2012 Mastio et al. D32/21
D670,464 S * 11/2012 Mastio et al. D32/21
8,528,160 B2 * 9/2013 Conrad 15/327.2

* cited by examiner

Primary Examiner — Ruth McInroy

(74) *Attorney, Agent, or Firm* — NSIP Law

(57) **CLAIM**

We claim the ornamental design for a vacuum cleaner, as shown and described.

DESCRIPTION

FIG. 1 is a perspective view of a vacuum cleaner, showing our new design;

FIG. 2 is a front view thereof;

FIG. 3 is a rear view thereof;

FIG. 4 is a left-side view thereof;

FIG. 5 is a right-side view thereof;

FIG. 6 is a top plan view thereof; and,

FIG. 7 is a bottom plan view thereof.

The broken lines are for environmental purposes only and form no part of the claimed design.

1 Claim, 7 Drawing Sheets

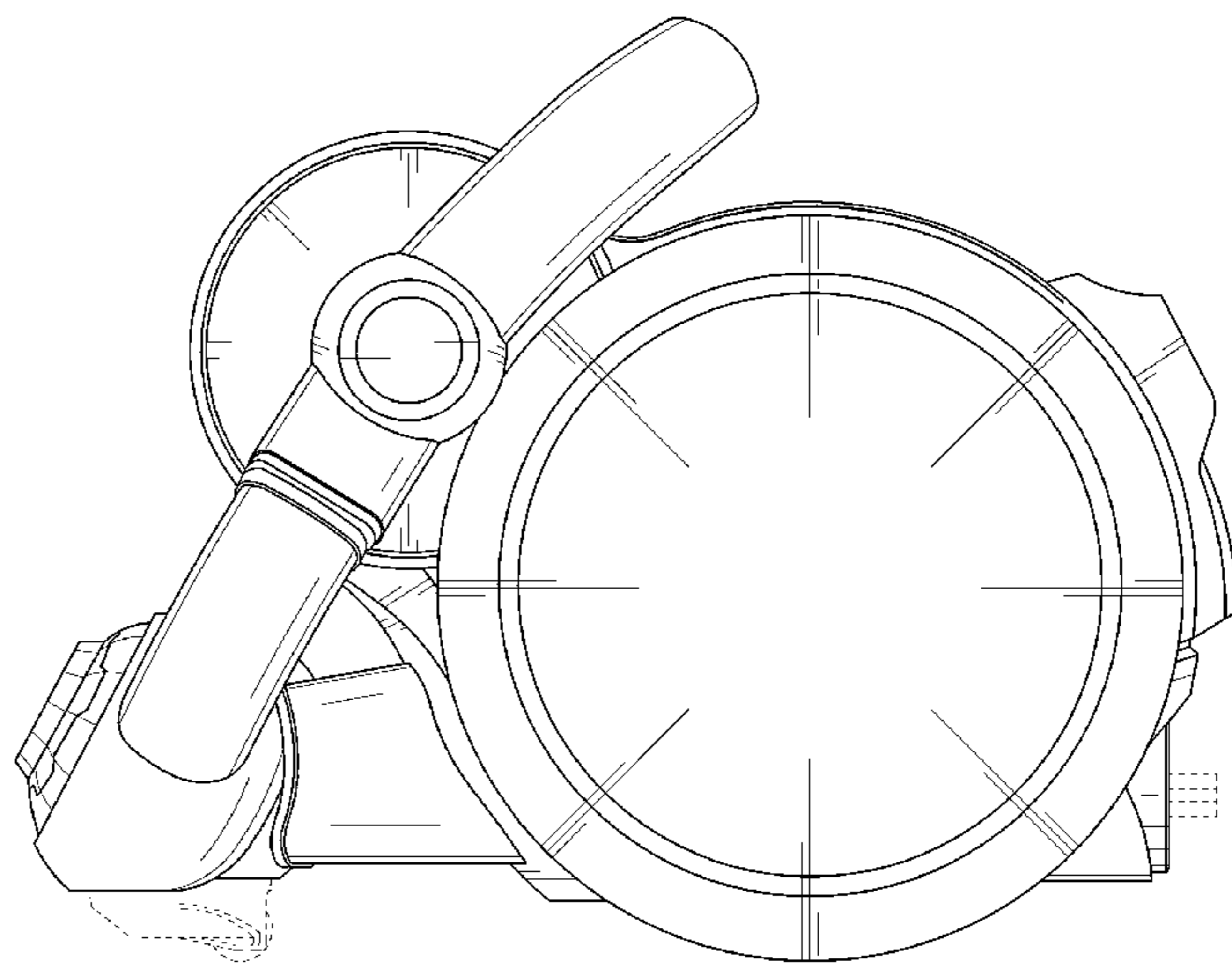
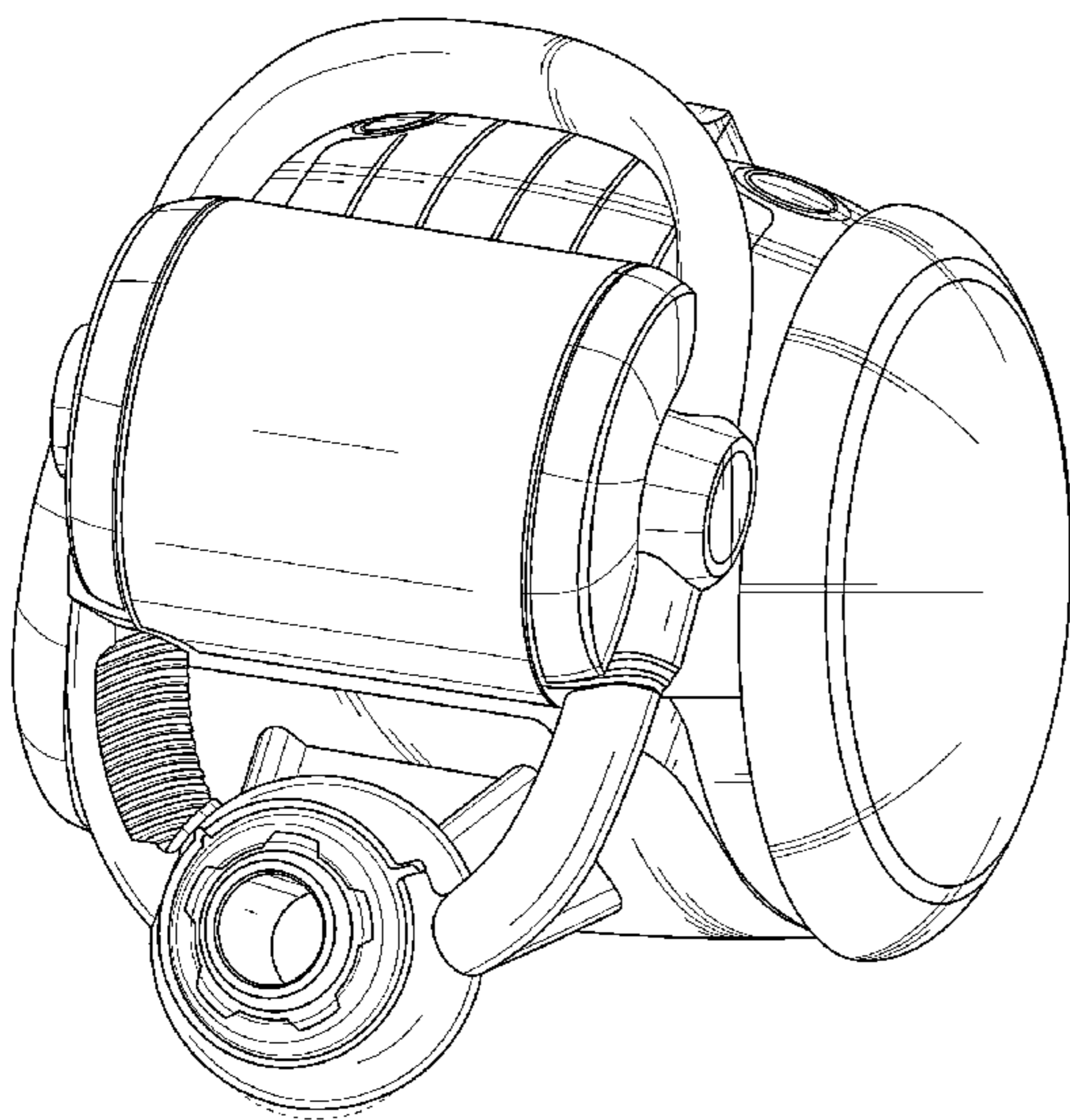


FIG. 1

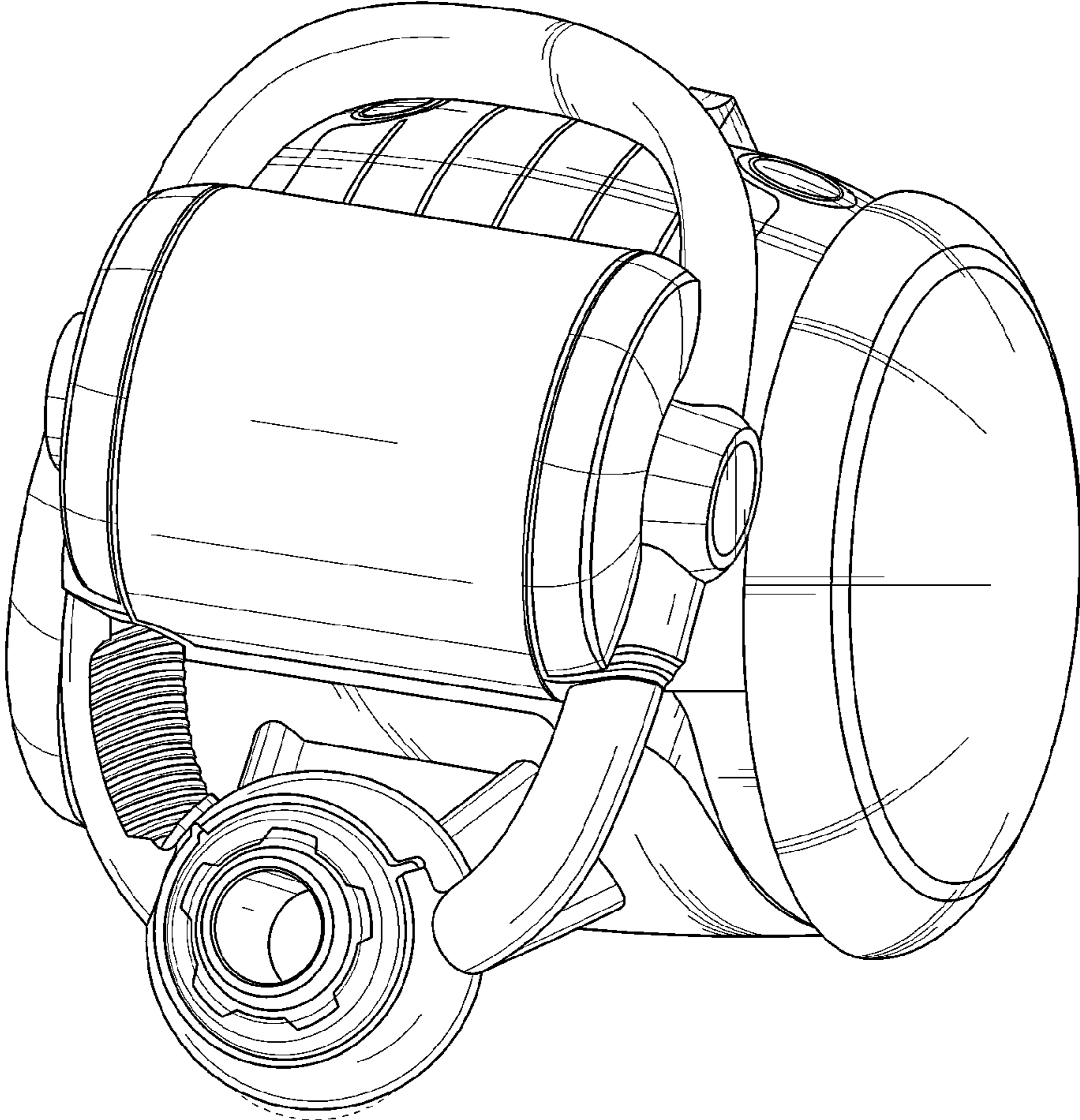


FIG. 2

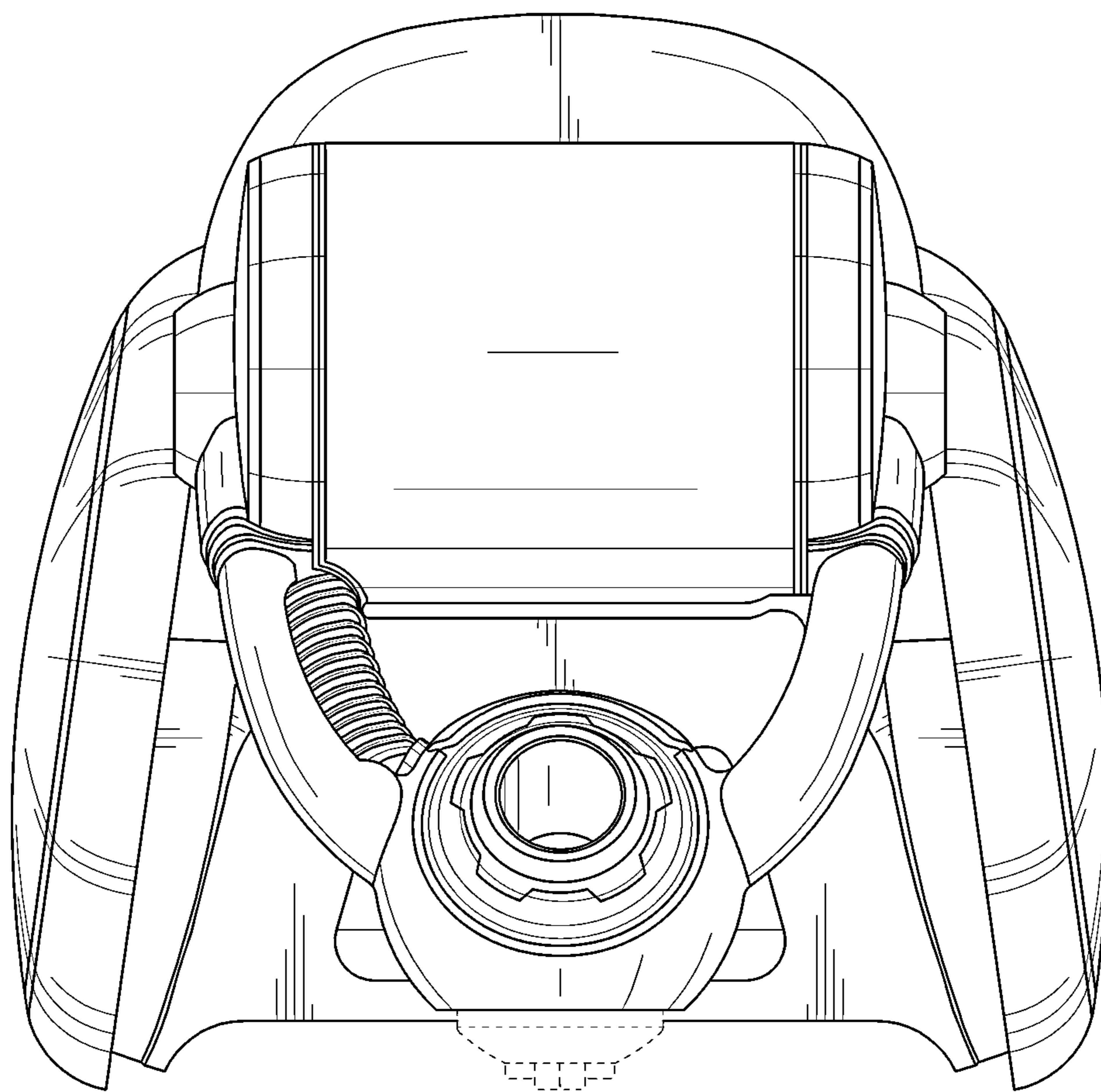


FIG. 3

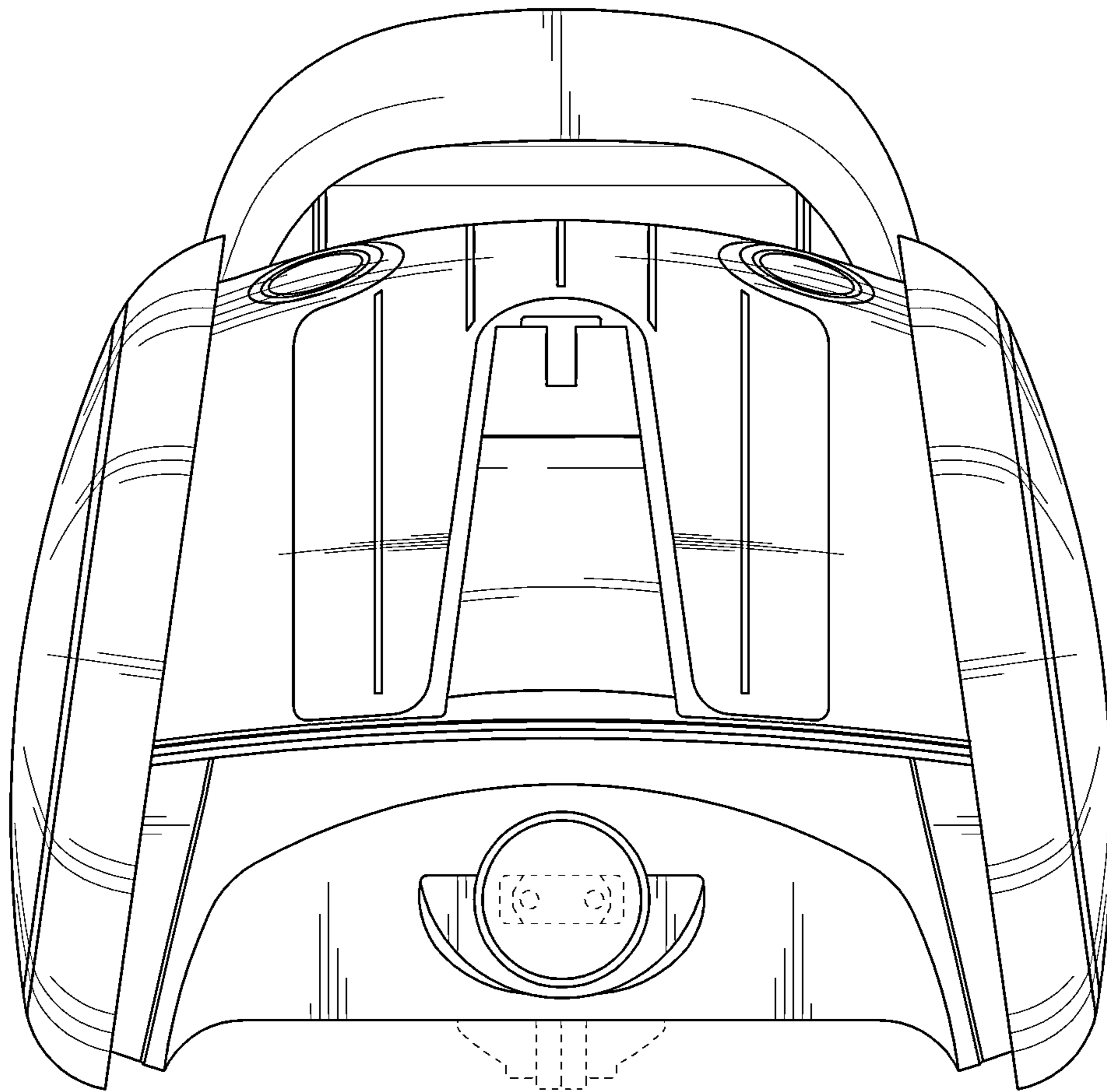


FIG. 4

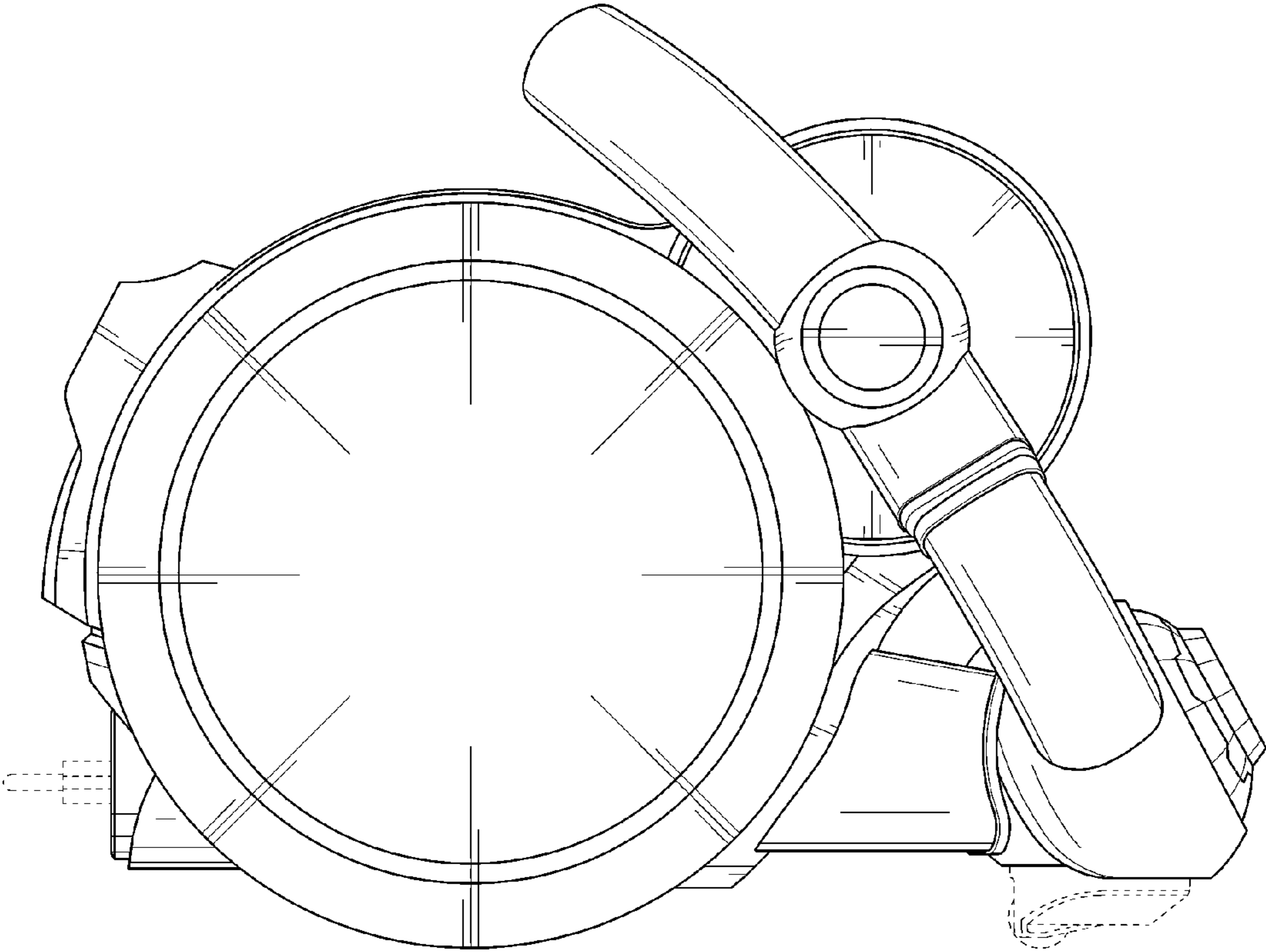


FIG. 5

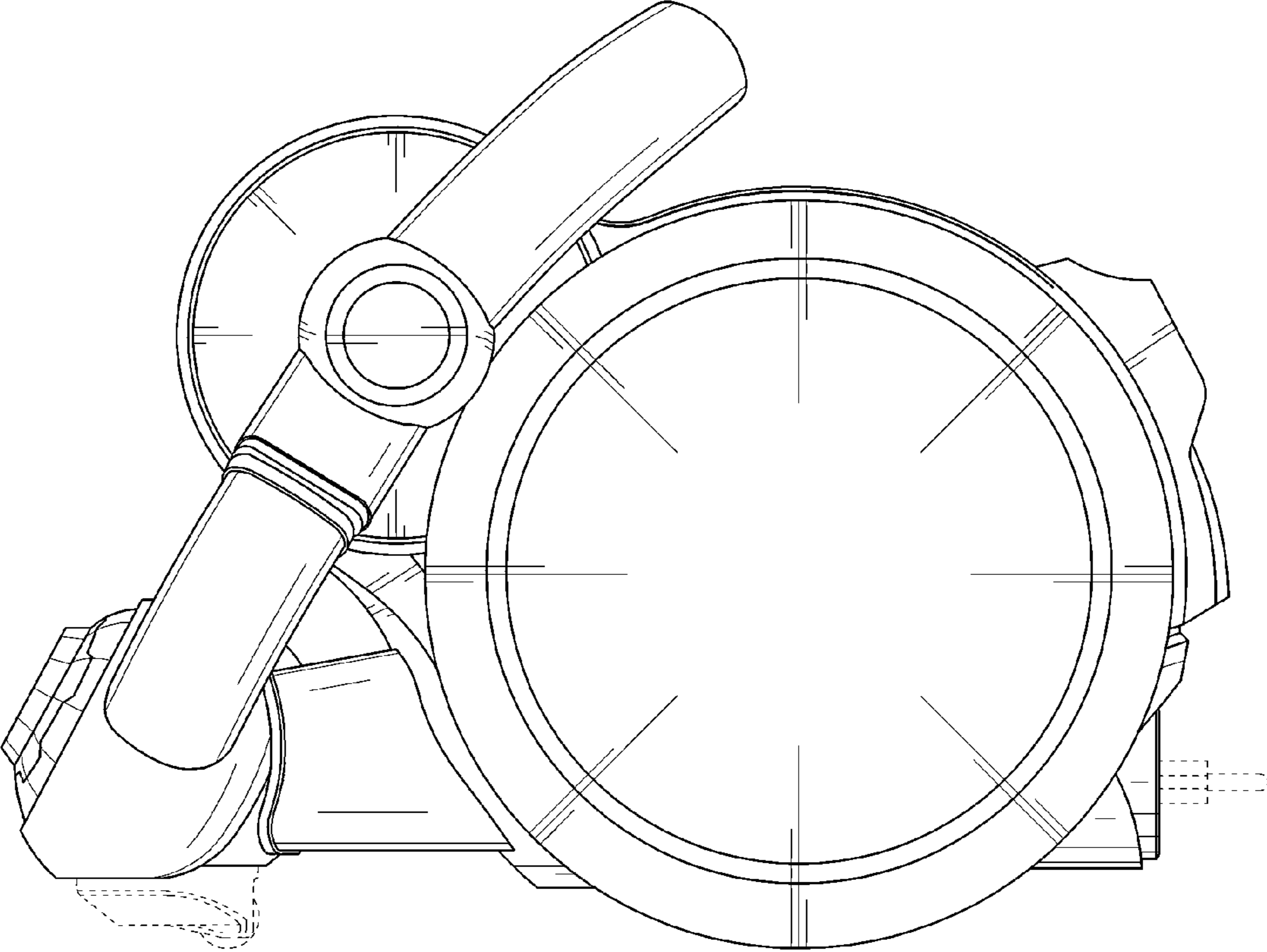


FIG. 6

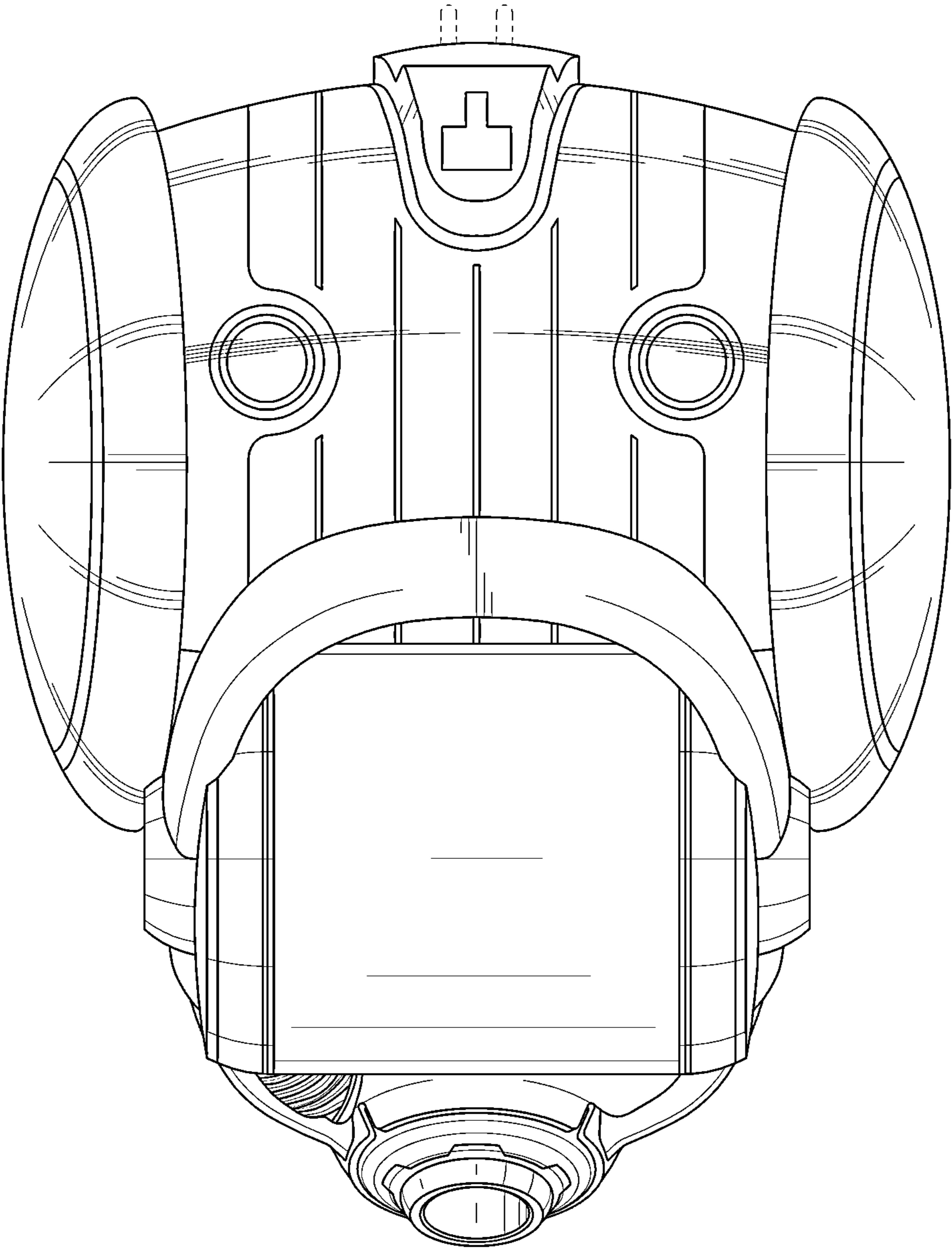


FIG. 7

