



US00D718502S

(12) **United States Design Patent**  
**Paculdo**

(10) **Patent No.:** **US D718,502 S**

(45) **Date of Patent:** **\*\* Nov. 25, 2014**

(54) **SCRATCH HIDEOUT**

(71) Applicant: **Worldwise, Inc.**, San Rafael, CA (US)

(72) Inventor: **Sara Paculdo**, Novato, CA (US)

(73) Assignee: **Worldwise, Inc.**, San Rafael, CA (US)

(\*\*) Term: **14 Years**

(21) Appl. No.: **29/469,254**

(22) Filed: **Oct. 8, 2013**

(51) **LOC (10) Cl.** ..... **30-99**

(52) **U.S. Cl.**  
USPC ..... **D30/160**; D30/118; D6/686; D6/690

(58) **Field of Classification Search**  
USPC ..... D30/118, 160; D6/657, 686, 690,  
D6/691.8, 691.9; 119/28.5, 484, 496, 500,  
119/702, 706; 312/237  
See application file for complete search history.

(56) **References Cited**

**U.S. PATENT DOCUMENTS**

4,347,807	A *	9/1982	Reich	.....	119/706
D301,814	S *	6/1989	Bush et al.	.....	D6/484
D406,678	S *	3/1999	Rittenhouse	.....	D30/108
D413,461	S *	9/1999	Kelly	.....	D6/484
D444,960	S *	7/2001	Sato	.....	D6/436
6,431,119	B1 *	8/2002	Beymer	.....	119/706

D524,994	S *	7/2006	Hamm	.....	D30/108
D554,303	S *	10/2007	Linehan	.....	D30/160
D569,053	S *	5/2008	Lee	.....	D30/161
D611,204	S *	3/2010	Slater	.....	D30/160
D667,177	S *	9/2012	Roberts	.....	D30/160
D677,022	S *	2/2013	Cirincione et al.	.....	D30/160
D694,558	S *	12/2013	Denby et al.	.....	D6/691.8

\* cited by examiner

*Primary Examiner* — Cathy A MacCormac

(74) *Attorney, Agent, or Firm* — Bay Area Technology Law Group PC

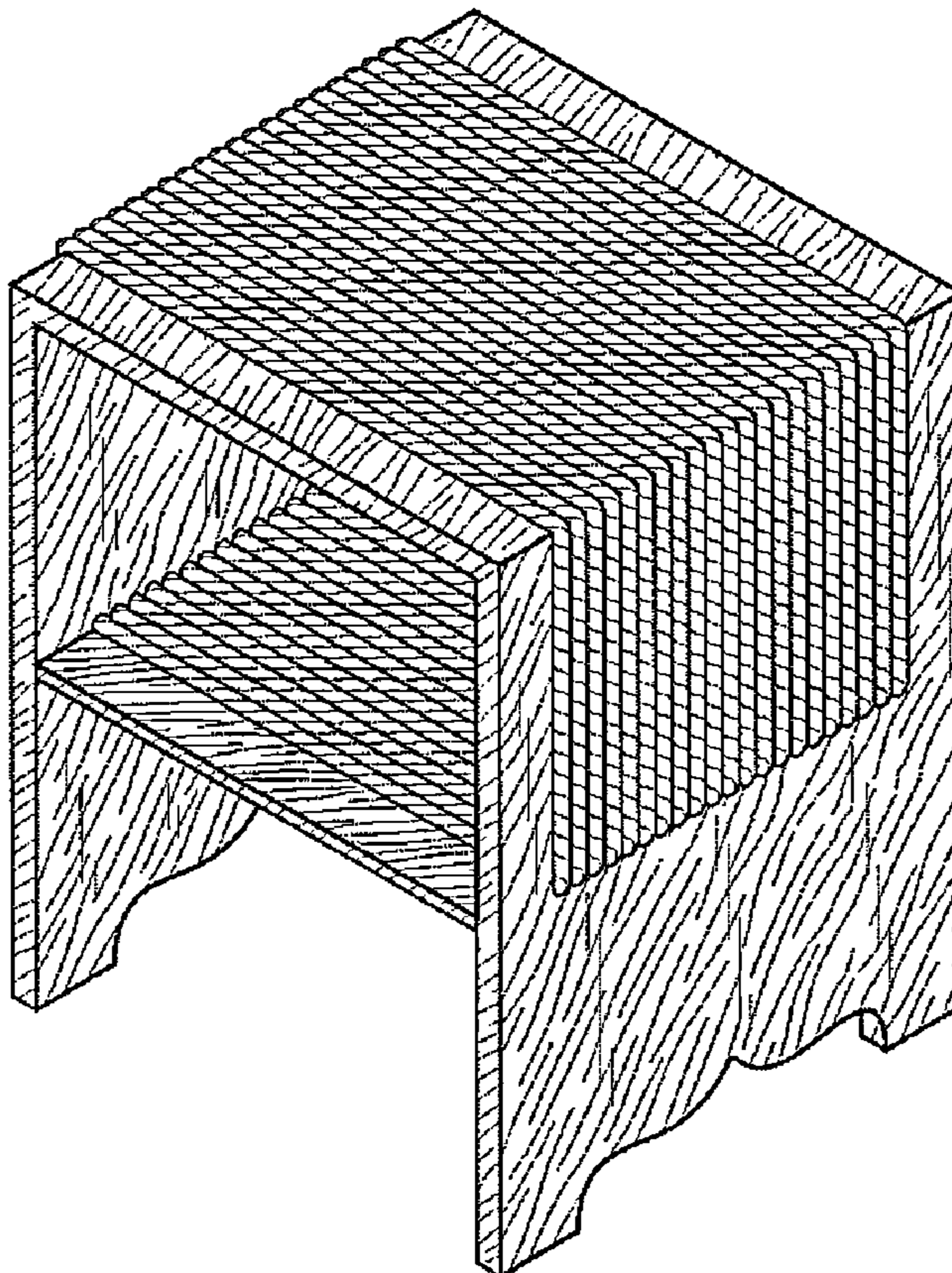
(57) **CLAIM**

The ornamental design for a scratch hideout, as shown and described.

**DESCRIPTION**

FIG. 1 is a perspective view of a scratch hideout showing my new design;  
FIG. 2 is a top plan view of FIG. 1;  
FIG. 3 is a bottom plan view of FIG. 1;  
FIG. 4 is a front view of FIG. 1;  
FIG. 5 is a back view of FIG. 1;  
FIG. 6 is a left side view of FIG. 1; and,  
FIG. 7 is a right side view of FIG. 1.

**1 Claim, 2 Drawing Sheets**



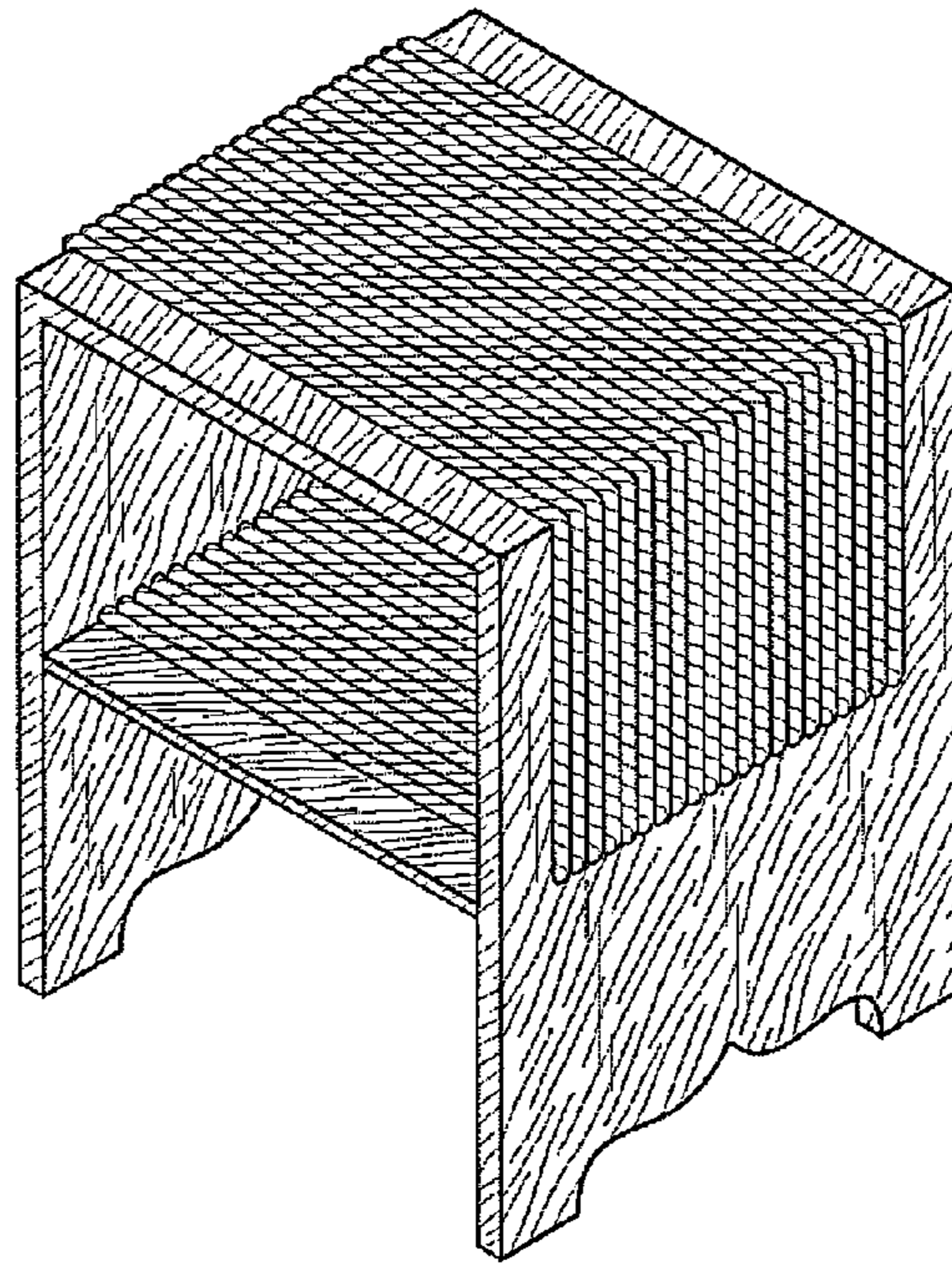


FIG. 1

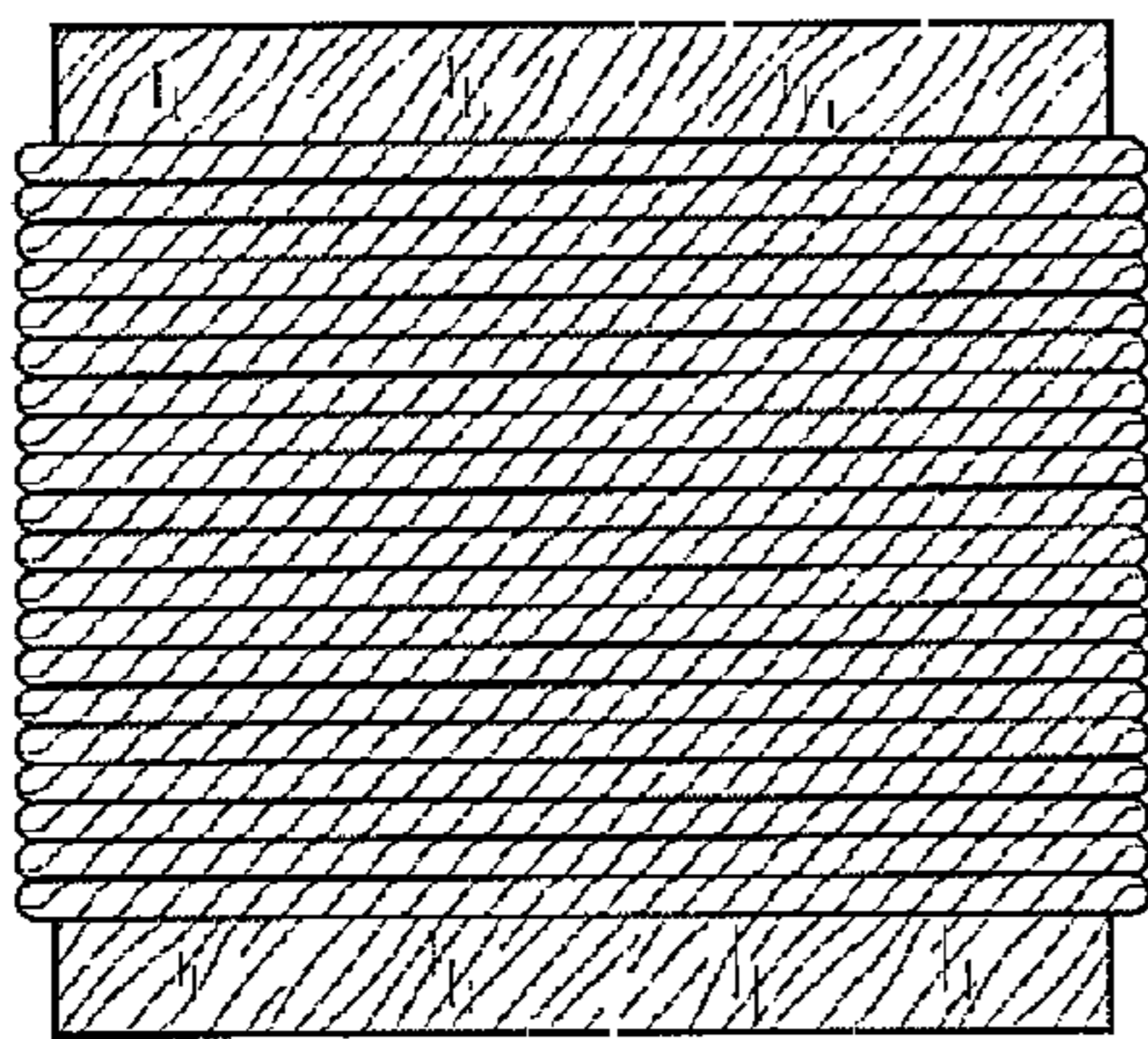


FIG. 2

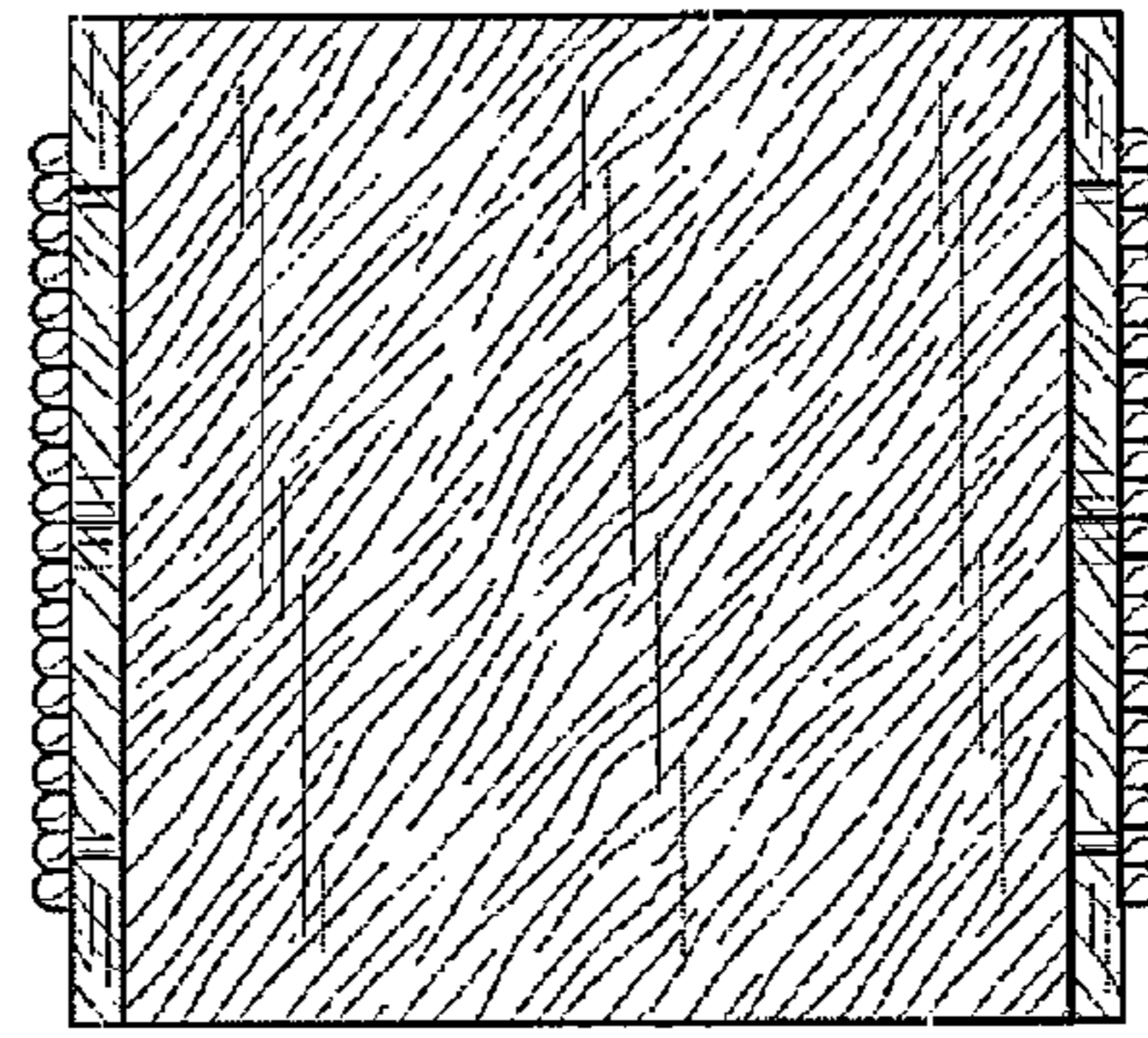


FIG. 3

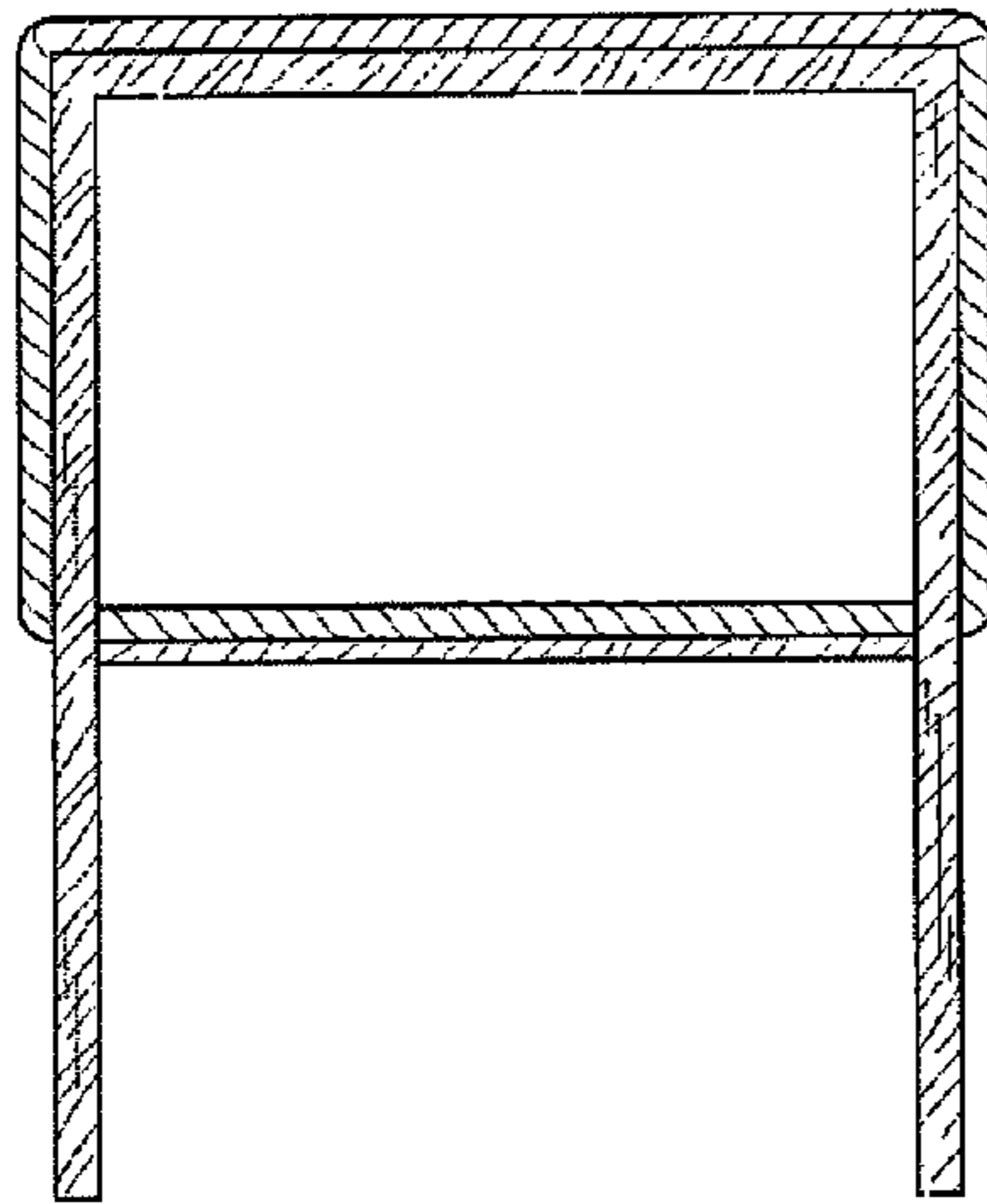


FIG. 4

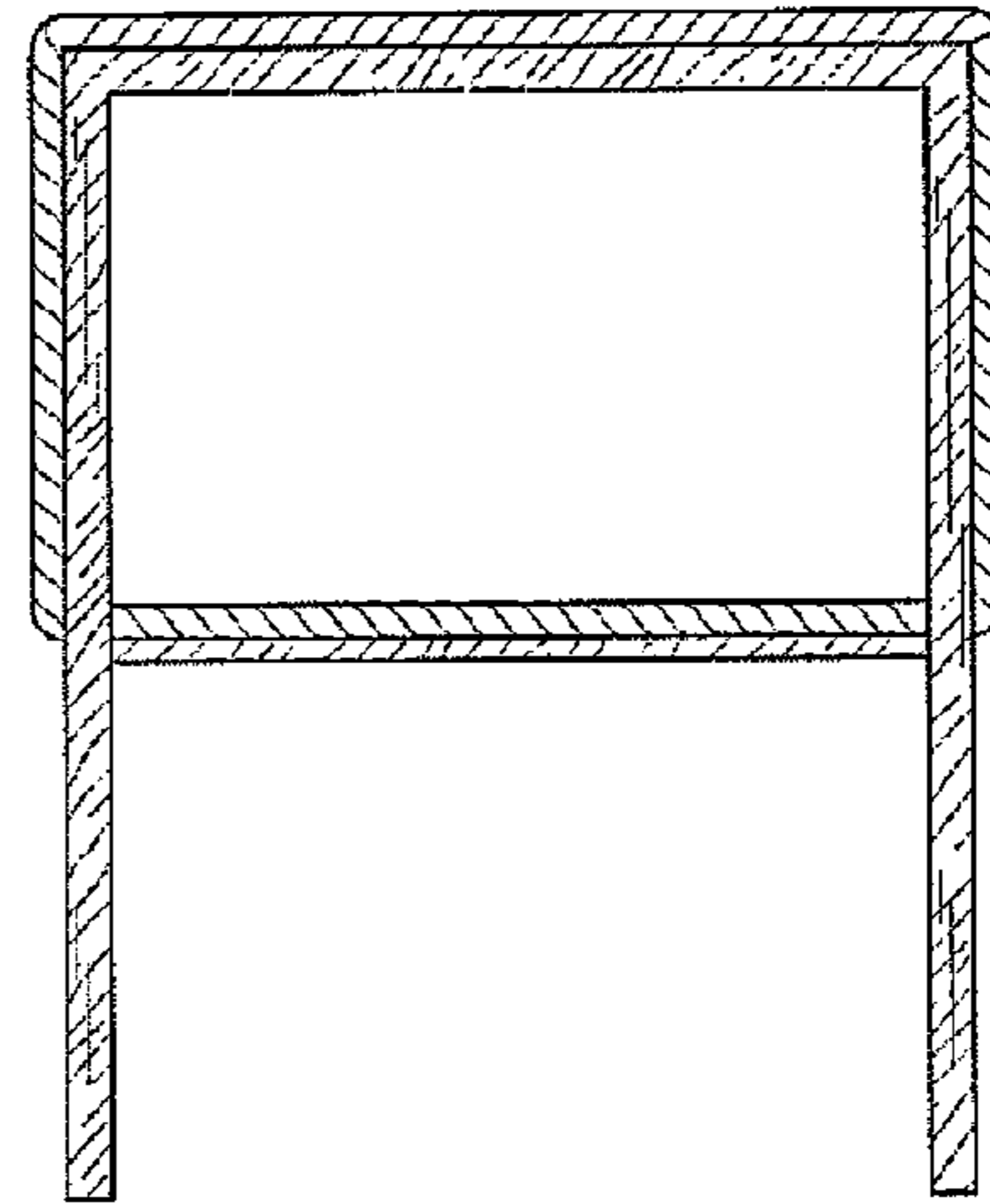


FIG. 5

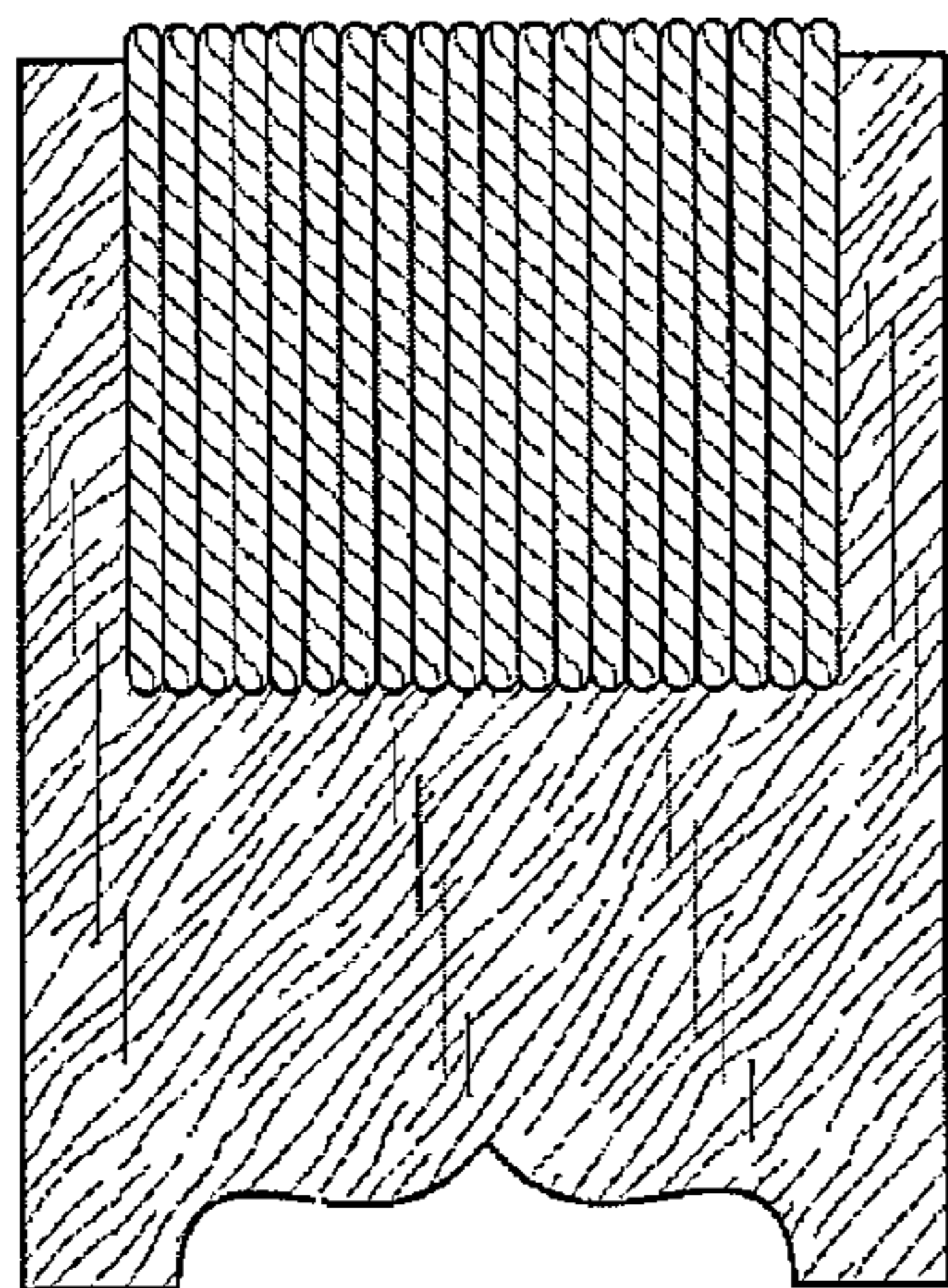


FIG. 6

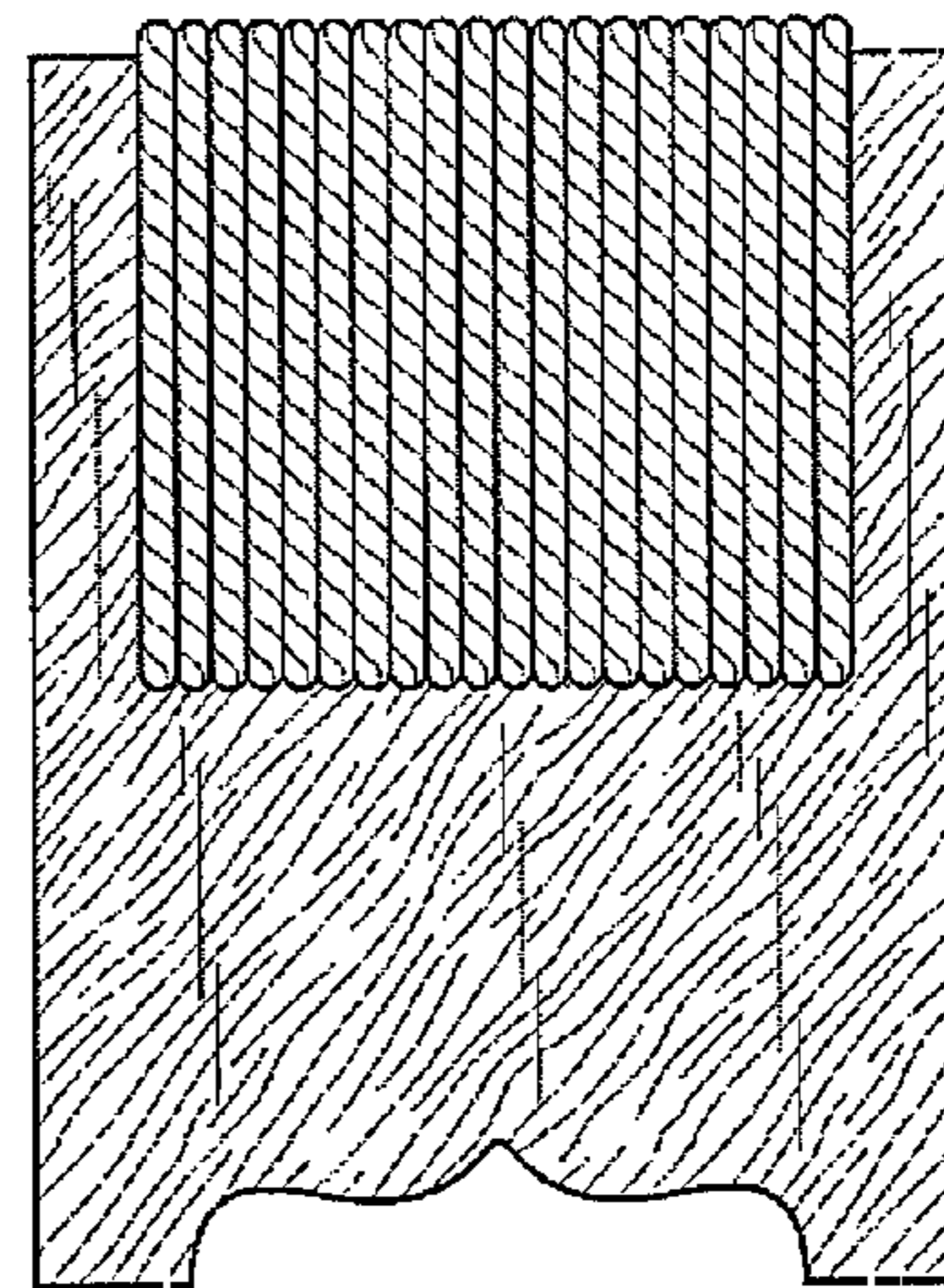


FIG. 7