



US00D718498S

(12) **United States Design Patent**
Gu

(10) **Patent No.:** **US D718,498 S**

(45) **Date of Patent:** **** Nov. 25, 2014**

(54) **TWEEZERS**

(71) Applicant: **Shine Co., Ltd**, Ulsan (KR)

(72) Inventor: **Ja-Woon Gu**, Ulsan (KR)

(73) Assignee: **Shine Co., Ltd**, Ulsan (KR)

(**) Term: **14 Years**

(21) Appl. No.: **29/489,222**

(22) Filed: **Apr. 28, 2014**

(30) **Foreign Application Priority Data**

Feb. 21, 2014 (KR) 30-2014-0008749

(51) **LOC (10) Cl.** **28-03**

(52) **U.S. Cl.**
USPC **D28/55**

(58) **Field of Classification Search**
USPC D28/55; D24/143; 606/210-211;
294/99.2

See application file for complete search history.

(56) **References Cited**

U.S. PATENT DOCUMENTS

D138,784 S * 9/1944 Shonta D28/55
3,392,727 A * 7/1968 Hanlon 606/210

6,237,224 B1 * 5/2001 Park 30/29.5
D559,458 S * 1/2008 Garland et al. D28/55
D569,553 S * 5/2008 Cho D28/55
D673,732 S * 1/2013 Remy et al. D28/55
2008/0243178 A1 * 10/2008 Oren et al. 606/210
2012/0285021 A1 * 11/2012 Park et al. 30/29.5

* cited by examiner

Primary Examiner — Jennifer Rivard

(74) *Attorney, Agent, or Firm* — Bret E. Field; Bozicevic, Field & Francis LLP

(57) **CLAIM**

The ornamental design for tweezers, as shown and described.

DESCRIPTION

FIG. 1 is a perspective view of tweezers, showing my new design,

FIG. 2 is a front view of tweezers of FIG. 1,

FIG. 3 is a rear view of tweezers of FIG. 1,

FIG. 4 is a left side view of tweezers of FIG. 1,

FIG. 5 is a right side view of tweezers of FIG. 1,

FIG. 6 is a top plan view of tweezers of FIG. 1,

FIG. 7 is a bottom view of tweezers of FIG. 1; and,

FIG. 8 is a perspective view of the oval-shaped end portions of the tweezers of FIG. 1.

1 Claim, 4 Drawing Sheets

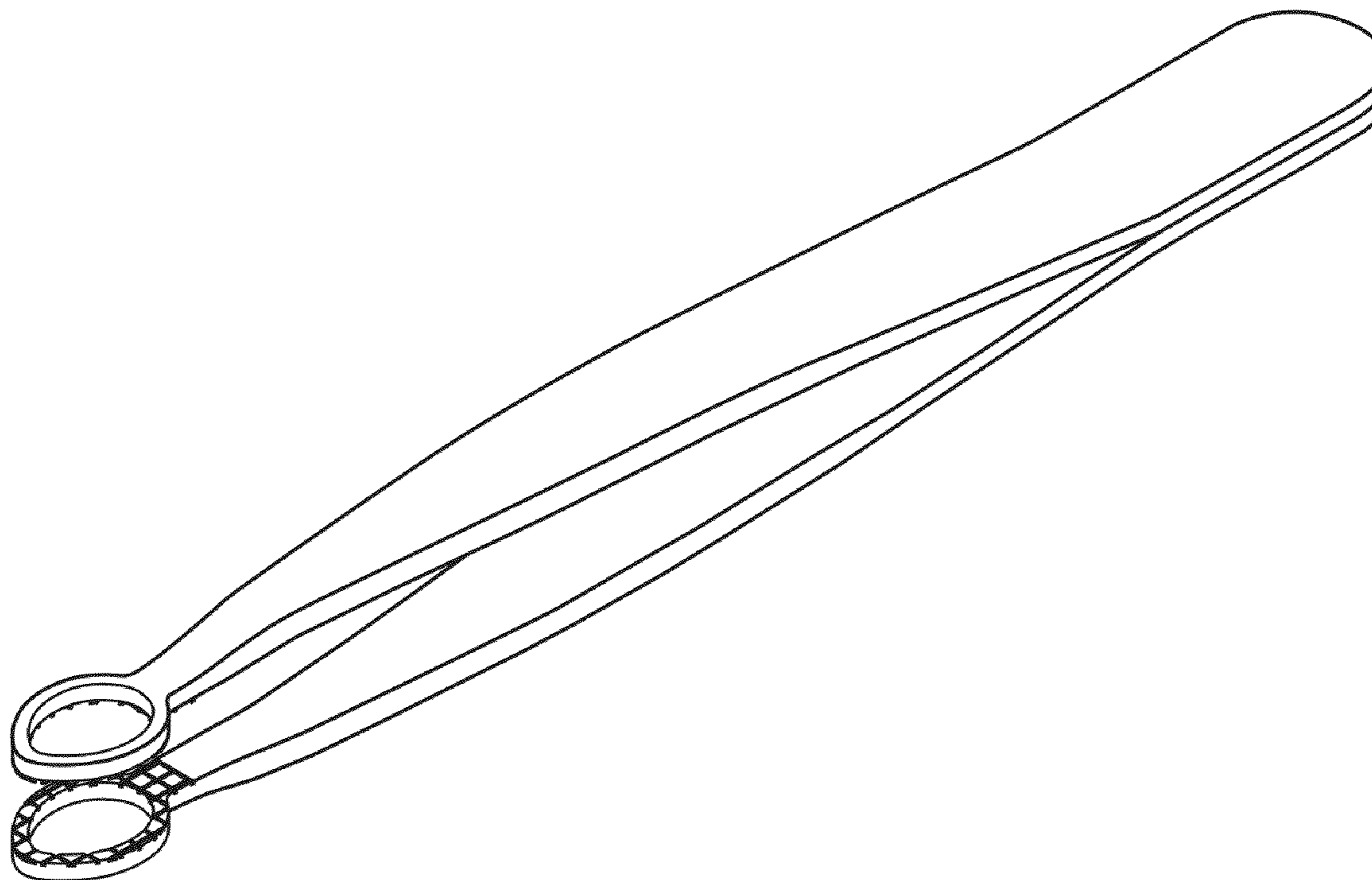


Fig. 1

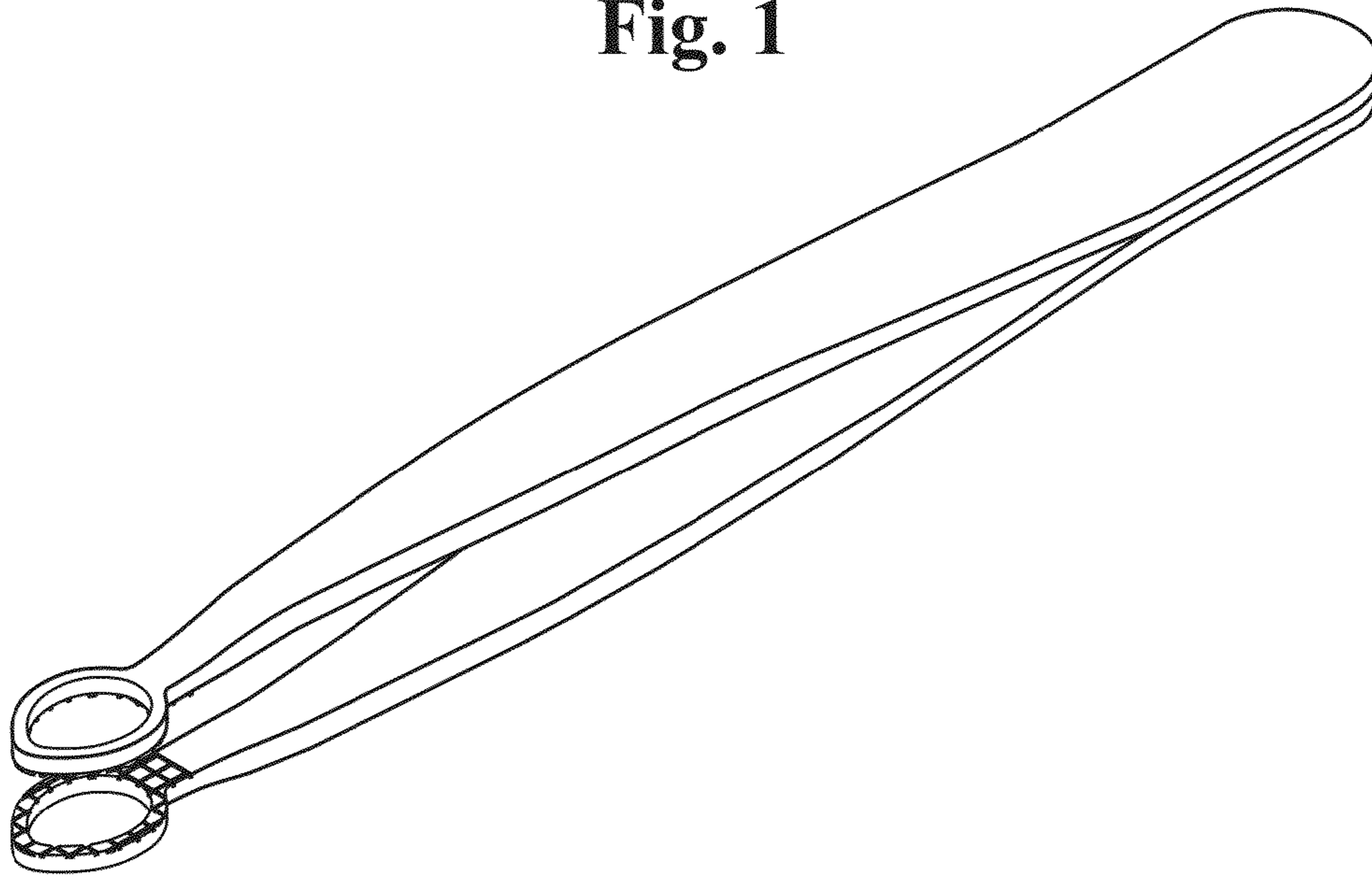


Fig. 2

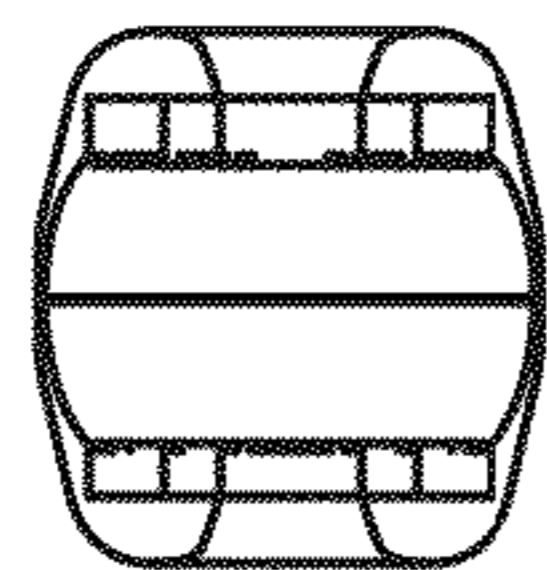


Fig. 3

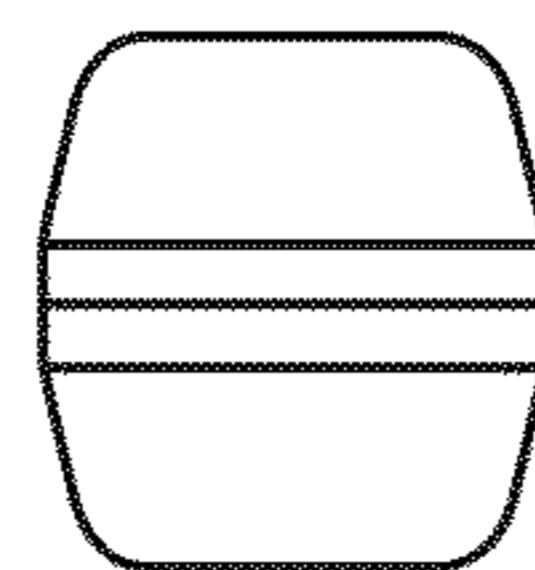


Fig. 4

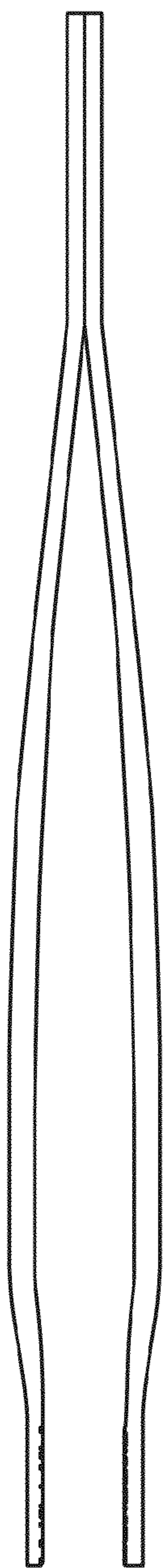


Fig. 5

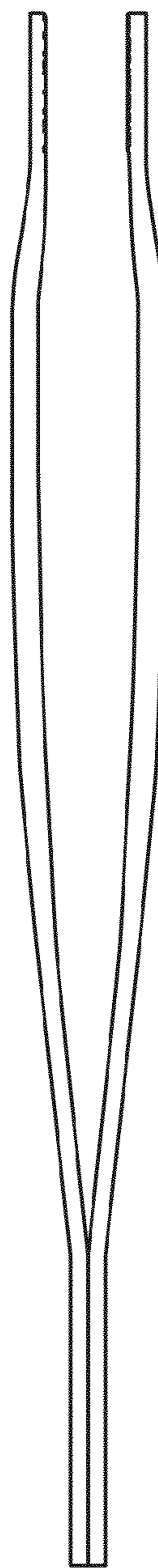


Fig. 6

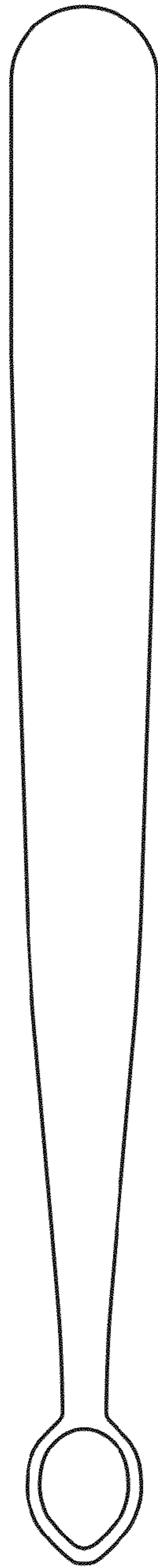


Fig. 7

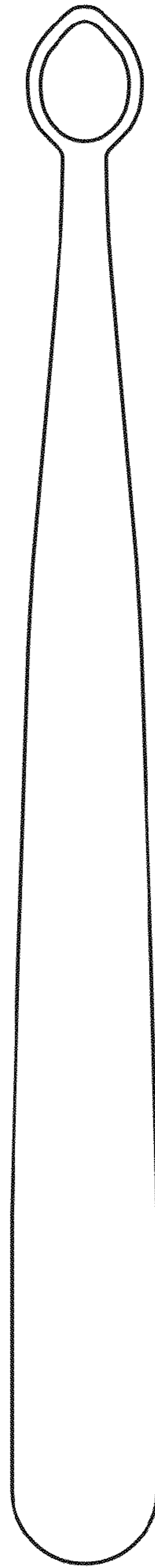


Fig. 8

