



US00D718497S

(12) **United States Design Patent**
Sole

(10) **Patent No.:** **US D718,497 S**

(45) **Date of Patent:** **** Nov. 25, 2014**

(54) **MULTIFUNCTIONAL GROOMING
TWEEZERS WITH COMB**

(71) Applicant: **Creatively Convenient LLC**, Miami
Beach, FL (US)

(72) Inventor: **Dawn M. Sole**, Miami Beach, FL (US)

(73) Assignee: **Creatively Convenient, LLC**, Miami
Beach, FL (US)

(**) Term: **14 Years**

(21) Appl. No.: **29/484,079**

(22) Filed: **Mar. 5, 2014**

(51) **LOC (10) Cl.** **28-03**

(52) **U.S. Cl.**
USPC **D28/55; D28/25**

(58) **Field of Classification Search**
CPC A61B 17/29; A45D 26/0066; A45D
26/0071; A45D 26/0076
USPC D28/55, 25; D24/143; 606/210-211;
294/99.2

See application file for complete search history.

(56) **References Cited**

U.S. PATENT DOCUMENTS

D568,001 S *	4/2008	Cho	D28/55
D627,104 S *	11/2010	Cho	D28/55
D677,431 S *	3/2013	Tarlton et al.	D28/55
2008/0243179 A1 *	10/2008	Ziv	606/211
2009/0131977 A1 *	5/2009	Ross	606/211

* cited by examiner

Primary Examiner — Jennifer Rivard

(74) *Attorney, Agent, or Firm* — Assouline & Berlowe, P.A.;
Loren Donald Pearson

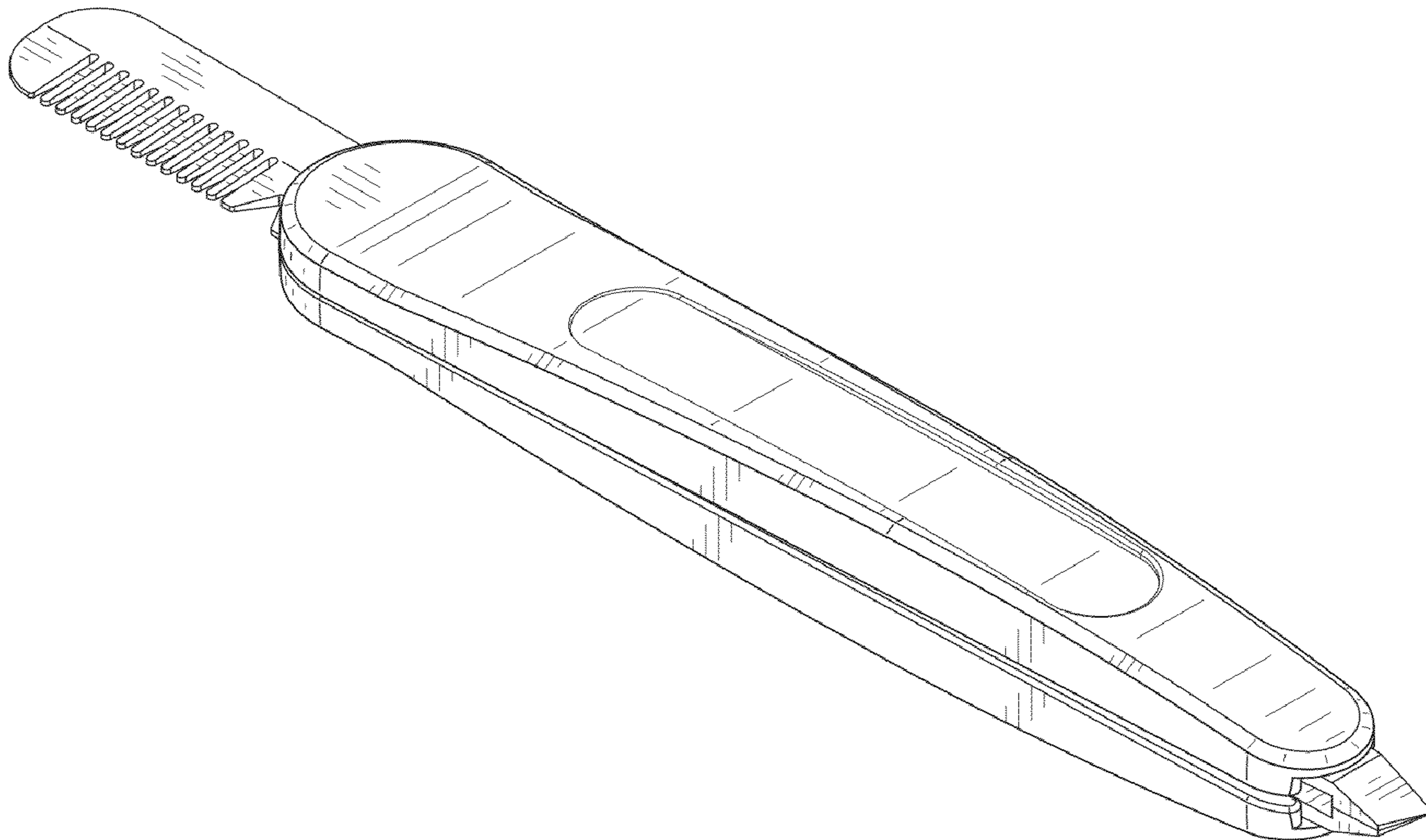
(57) **CLAIM**

The ornamental design for multifunctional grooming twee-
zers with comb, as described and shown.

DESCRIPTION

FIG. 1 is a top right perspective view of the multifunctional
grooming tweezers with comb.
FIG. 2 is a bottom left perspective view thereof.
FIG. 3 is a top side view thereof.
FIG. 4 is a bottom side view thereof.
FIG. 5 is a right side view thereof.
FIG. 6 is a left side view thereof.
FIG. 7 is a front side view thereof; and,
FIG. 8 is rear side view thereof.

1 Claim, 3 Drawing Sheets



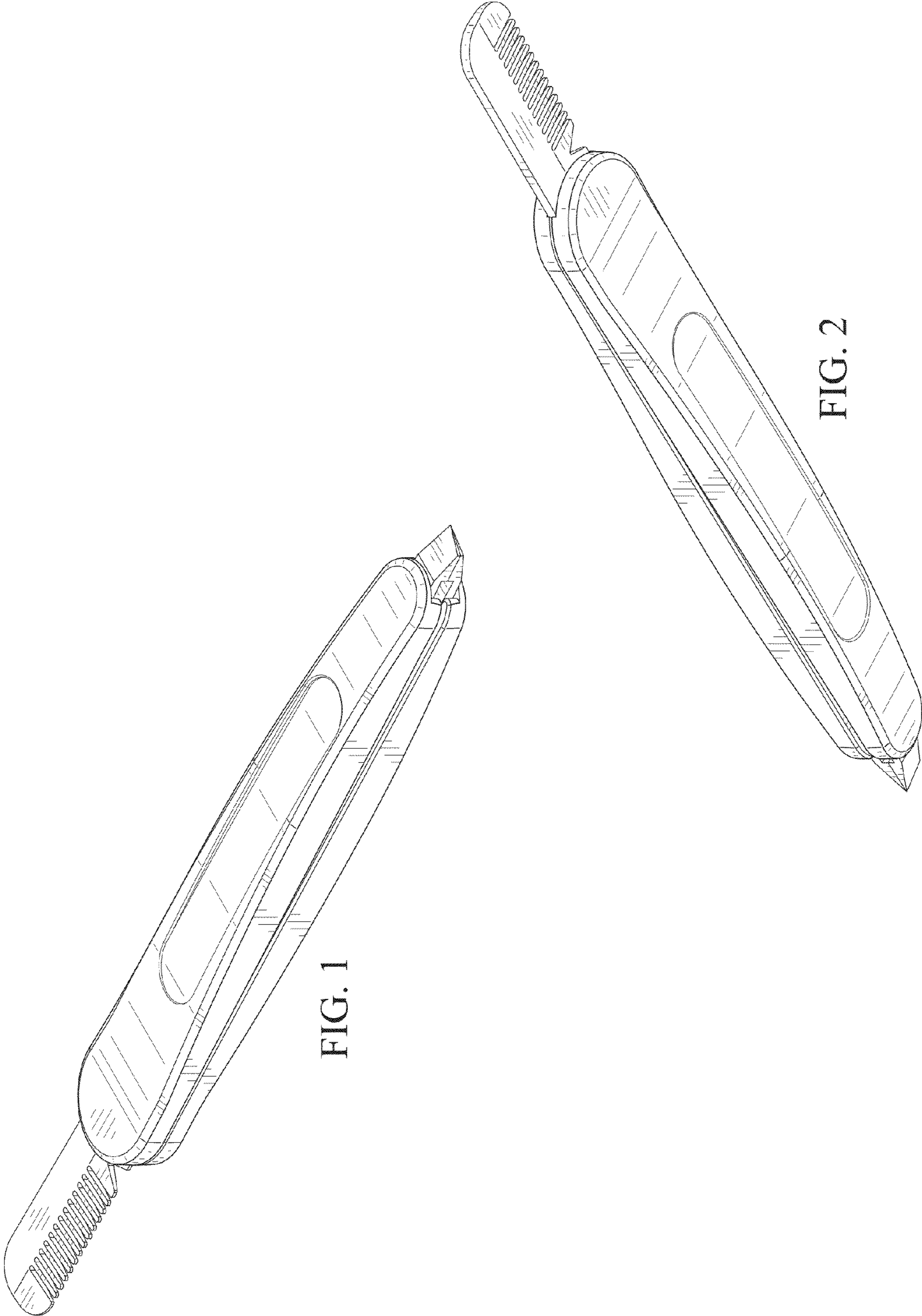


FIG. 1

FIG. 2

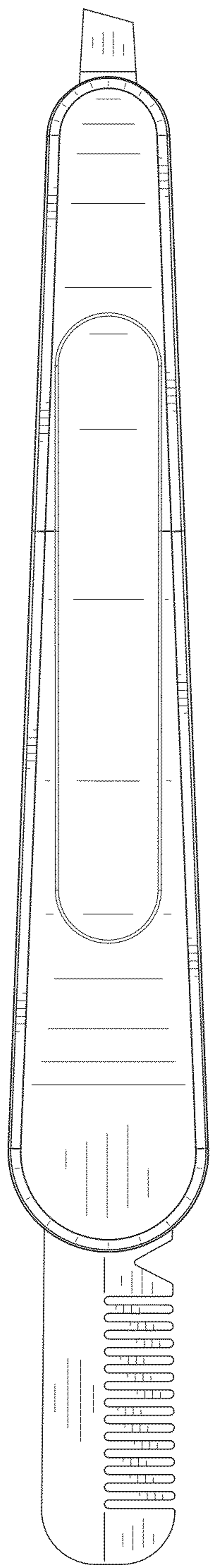


FIG. 3

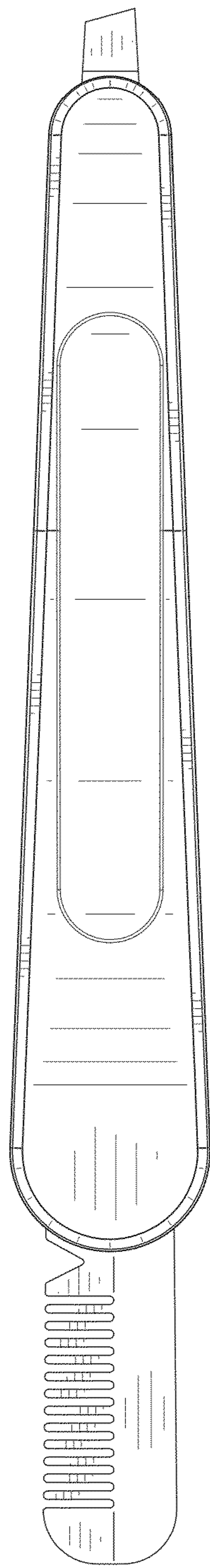


FIG. 4

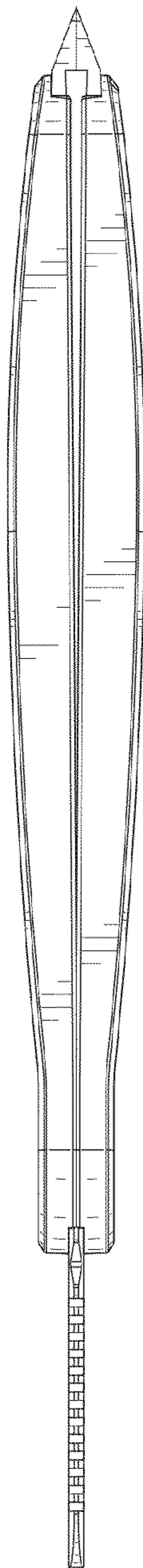


FIG. 5

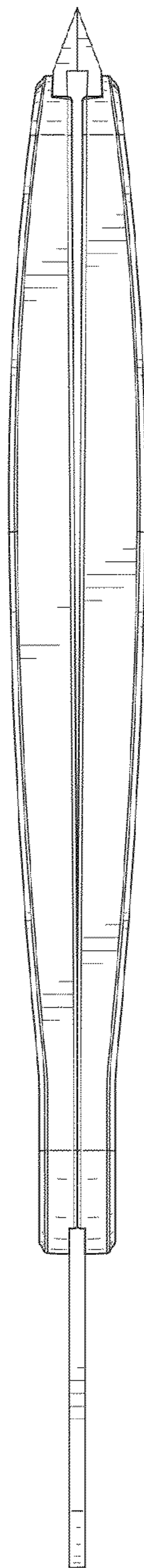


FIG. 6

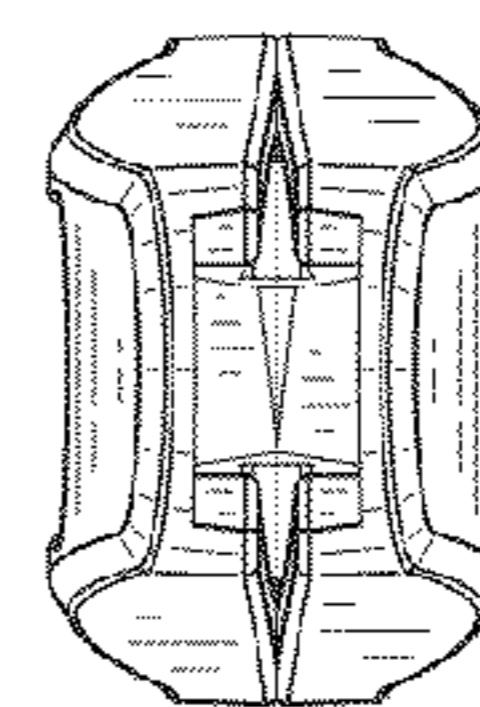


FIG. 7

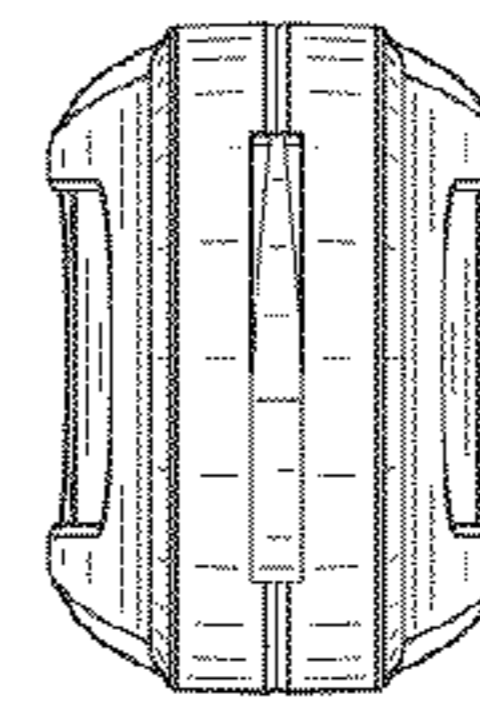


FIG. 8