



US00D718494S

(12) **United States Design Patent**  
**Dula**

(10) **Patent No.:** **US D718,494 S**  
(45) **Date of Patent:** **\*\* Nov. 25, 2014**

(54) **HAIR BAND WITH AUDIO PLAYER BUTTON THEREON**

(71) Applicant: **Lucille D. Dula**, Washington, DC (US)

(72) Inventor: **Lucille D. Dula**, Washington, DC (US)

(\*\*) Term: **14 Years**

(21) Appl. No.: **29/473,764**

(22) Filed: **Nov. 26, 2013**

(51) **LOC (10) Cl.** ..... **28-03**

(52) **U.S. Cl.**  
CPC ..... **A45D 8/36** (2013.01)  
USPC ..... **D28/41**

(58) **Field of Classification Search**  
CPC ..... **A45D 8/00**  
USPC ..... **D28/21-34, 39-43; 132/101, 126, 132/128-131, 144, 148, 219, 275-284; D11/3-6; D2/871-875**

See application file for complete search history.

(56) **References Cited**

**U.S. PATENT DOCUMENTS**

5,097,854 A 3/1992 Smith  
5,526,830 A 6/1996 Hunter

5,899,211 A \* 5/1999 Brown ..... 132/201  
5,911,227 A 6/1999 Shweky  
D430,351 S 8/2000 Falloon  
6,260,559 B1 \* 7/2001 Schirren et al. .... 132/275  
D481,239 S \* 10/2003 O'Toole et al. .... D6/553  
D561,938 S \* 2/2008 Madden ..... D28/41  
7,731,378 B2 6/2010 Dutcher  
8,276,598 B1 10/2012 Shepard  
D680,019 S \* 4/2013 Puglisi et al. .... D11/3

\* cited by examiner

*Primary Examiner* — Zenia Bennett

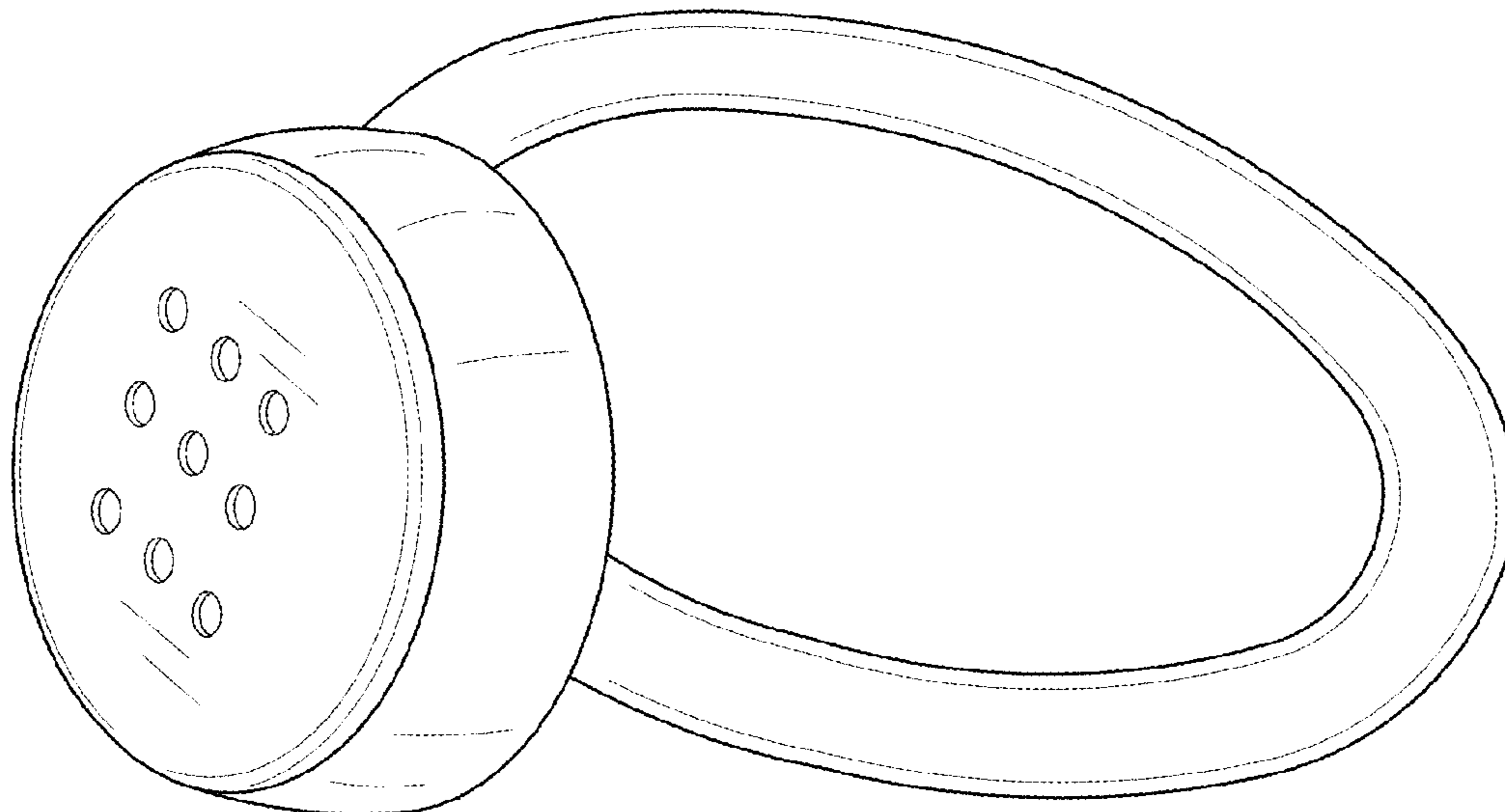
(57) **CLAIM**

I claim the ornamental design for the hair band with audio player button thereon, as shown and described.

**DESCRIPTION**

FIG. 1 is a perspective view of the hair band with audio player button thereon.  
FIG. 2 is a front view of the claimed design.  
FIG. 3 is a rear view of the claimed design.  
FIG. 4 is a left side view of the claimed design.  
FIG. 5 is a top view of the claimed design; and,  
FIG. 6 is a perspective view of the claimed design with a hair bow. The hair bow of FIG. 6 is in broken lines, and forms no part of the claimed design.

**1 Claim, 4 Drawing Sheets**



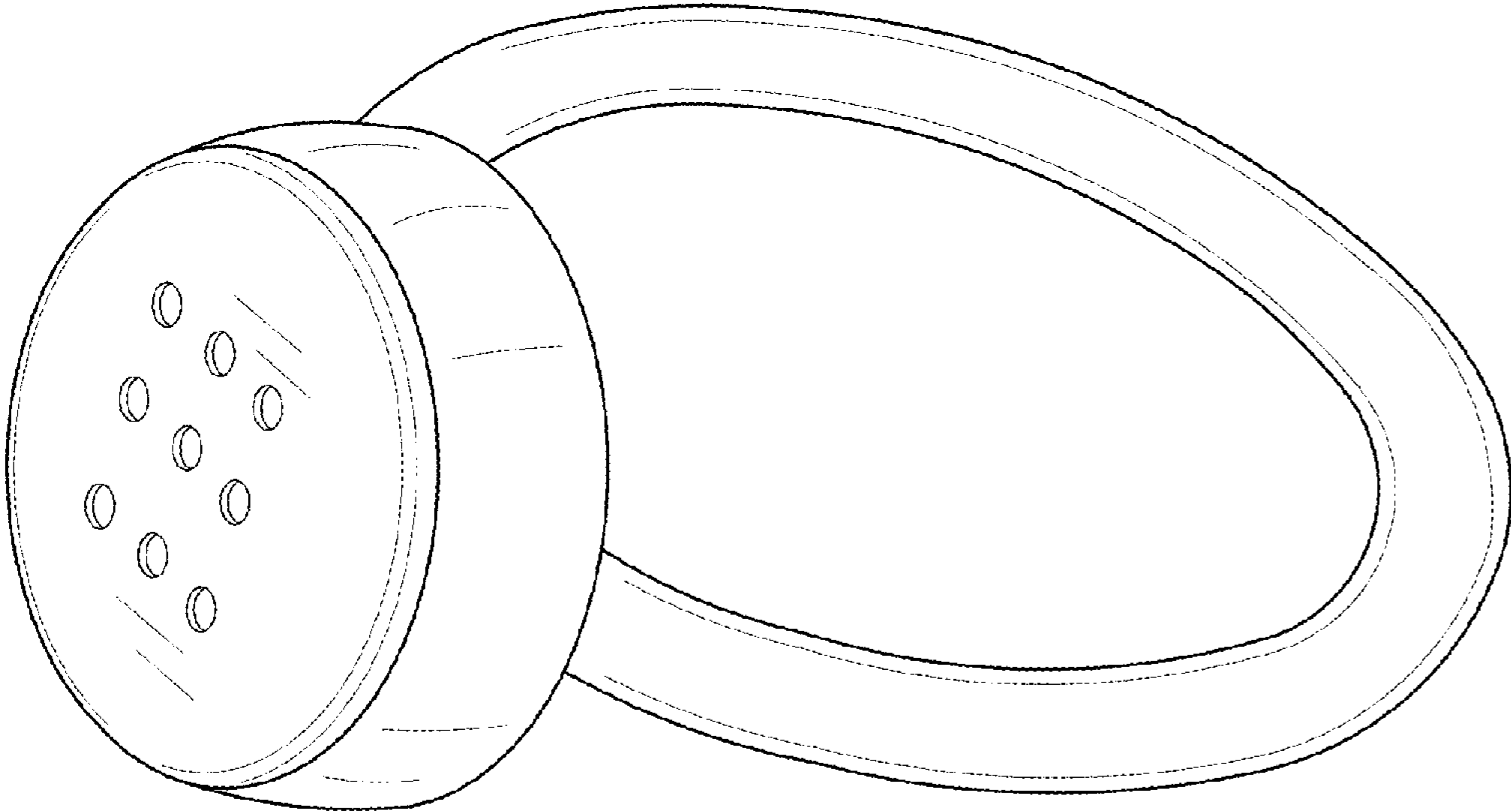


FIG. 1

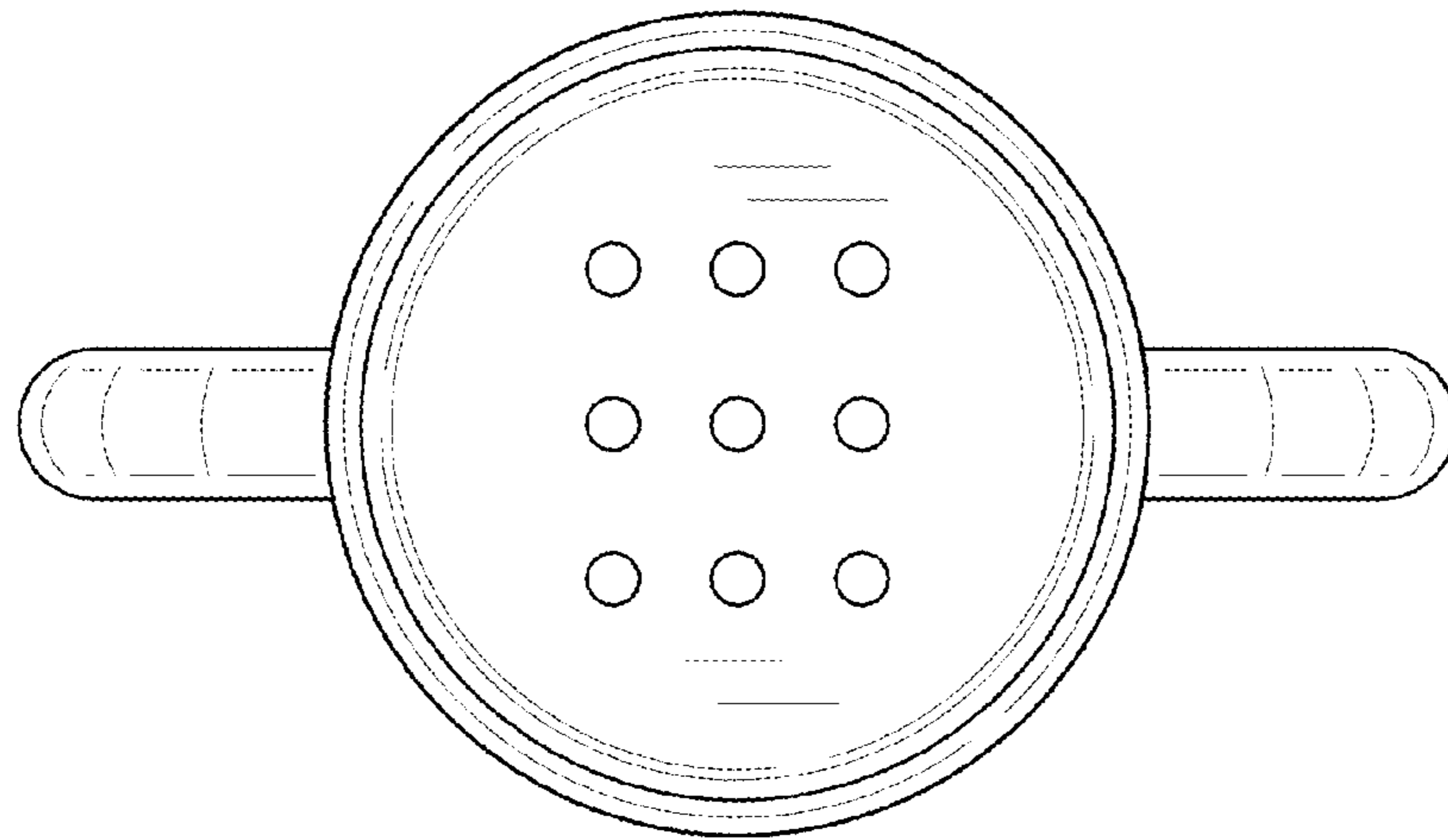


FIG. 2

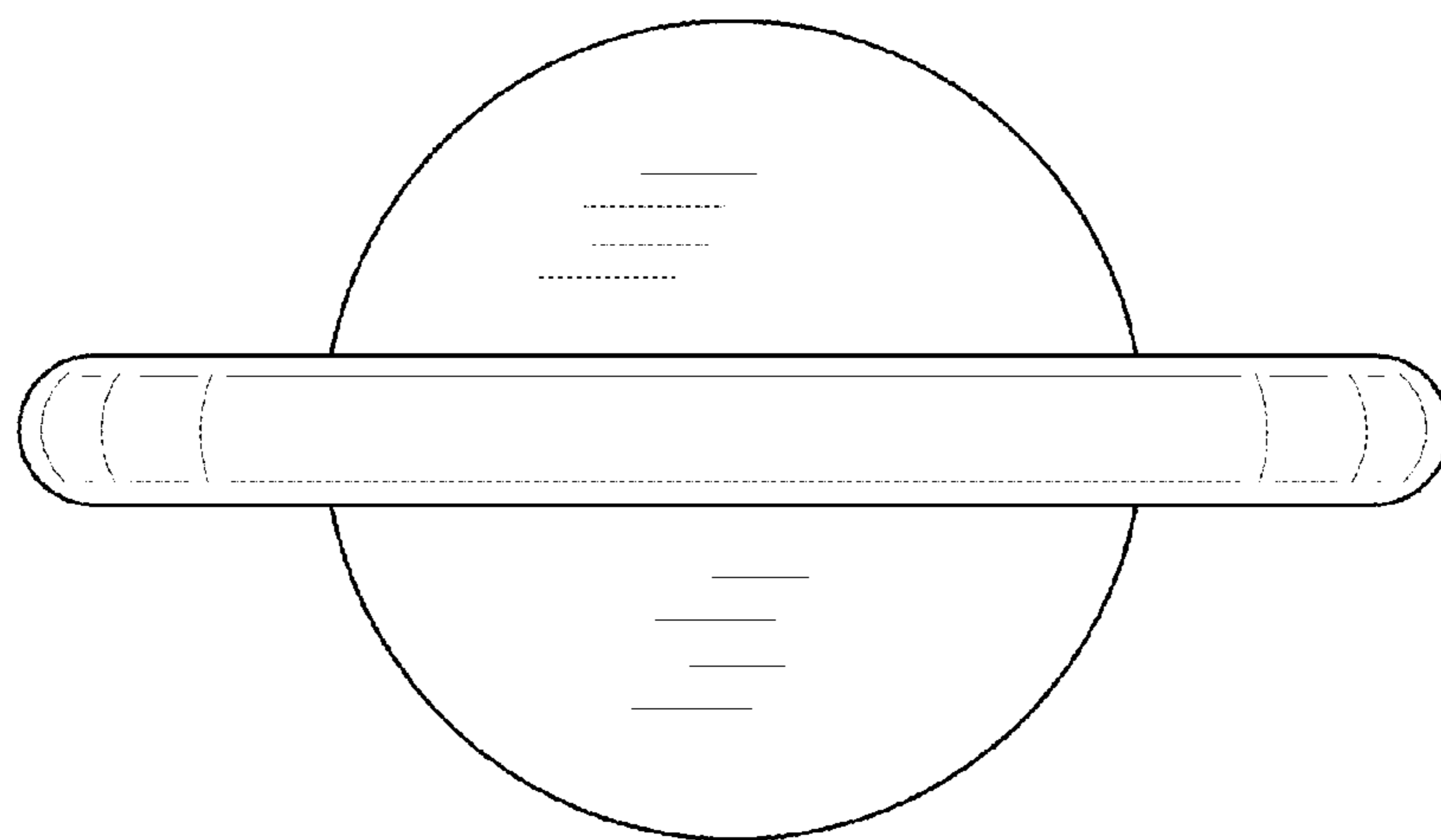


FIG. 3

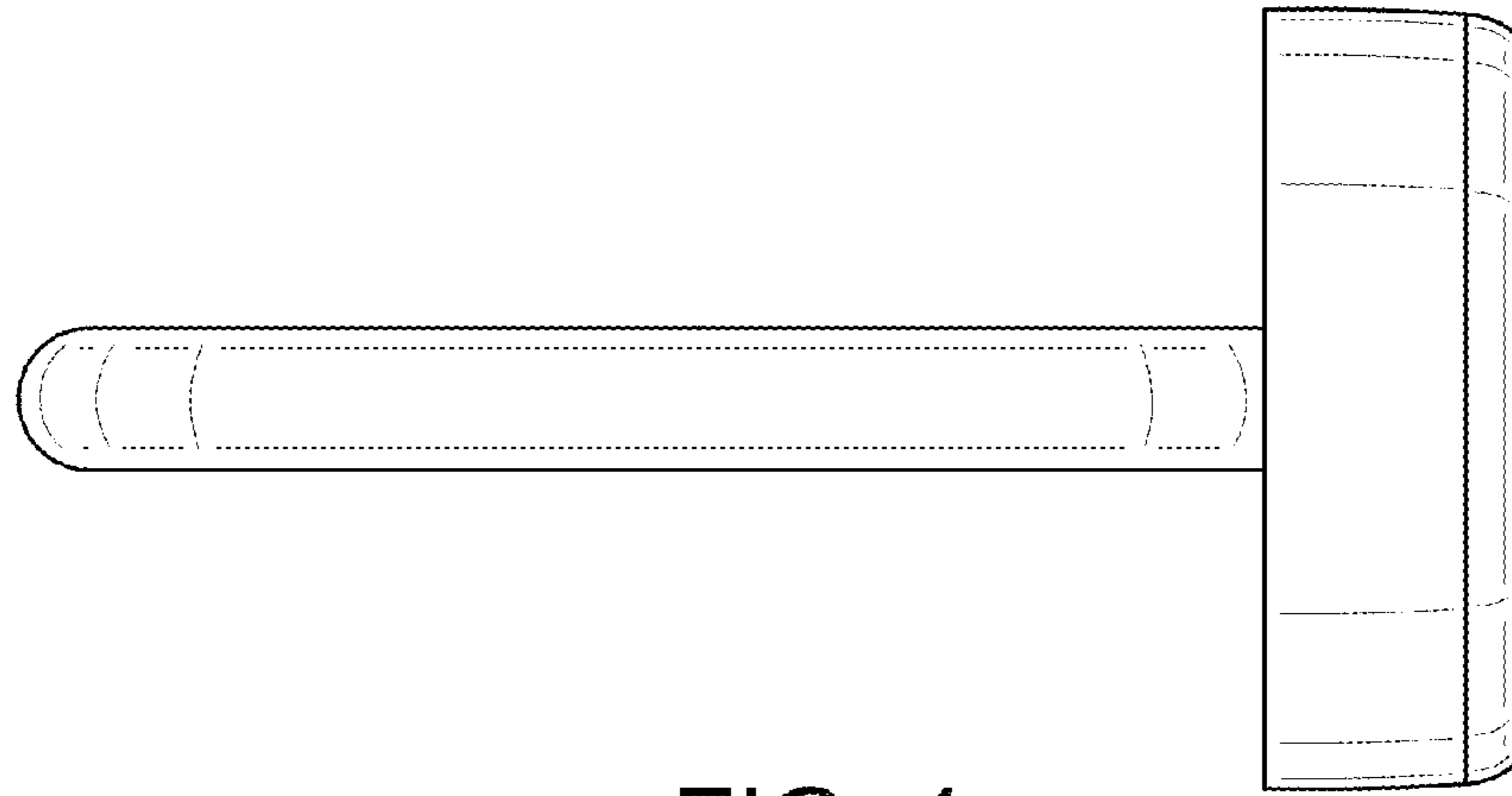


FIG. 4

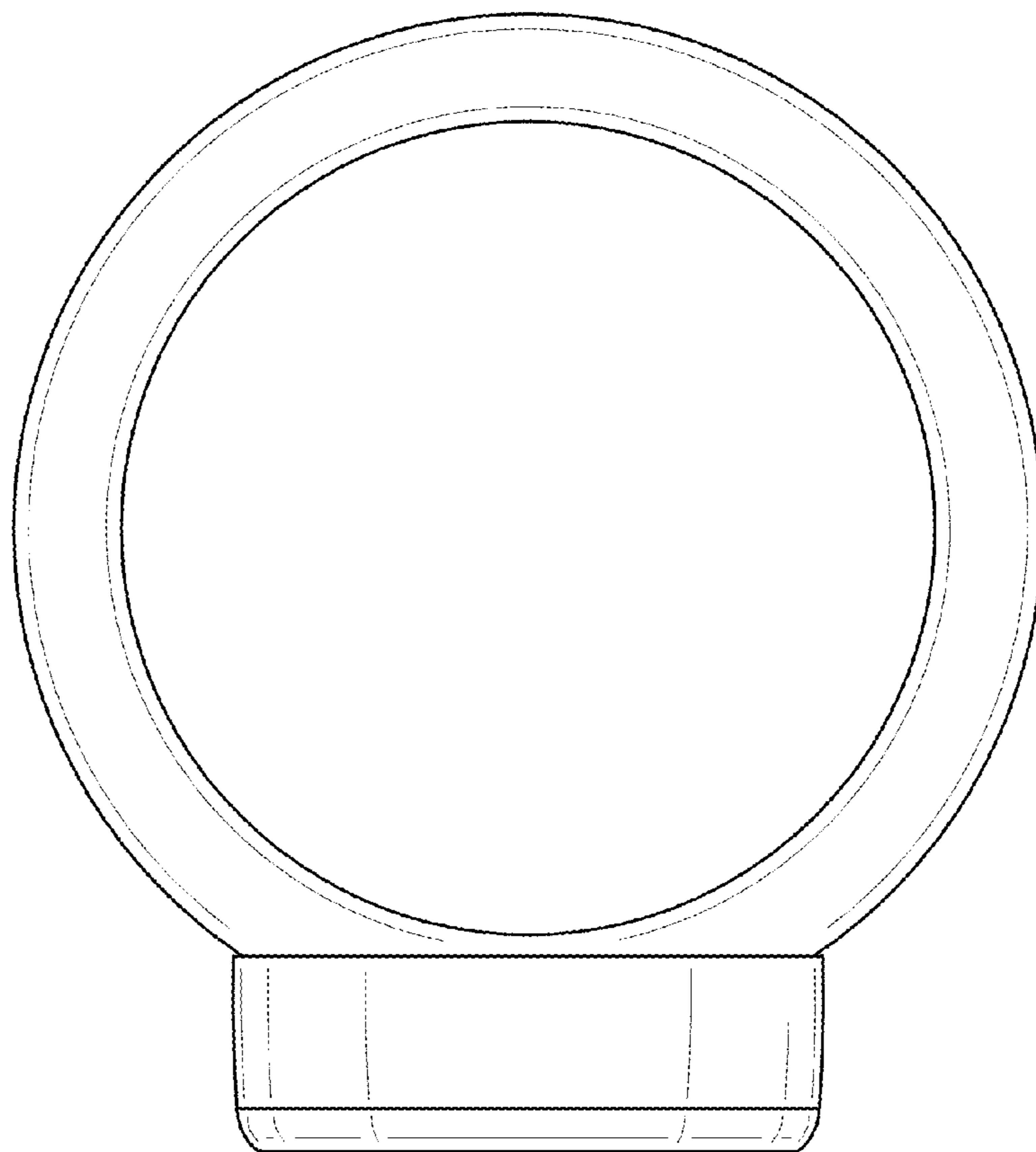


FIG. 5

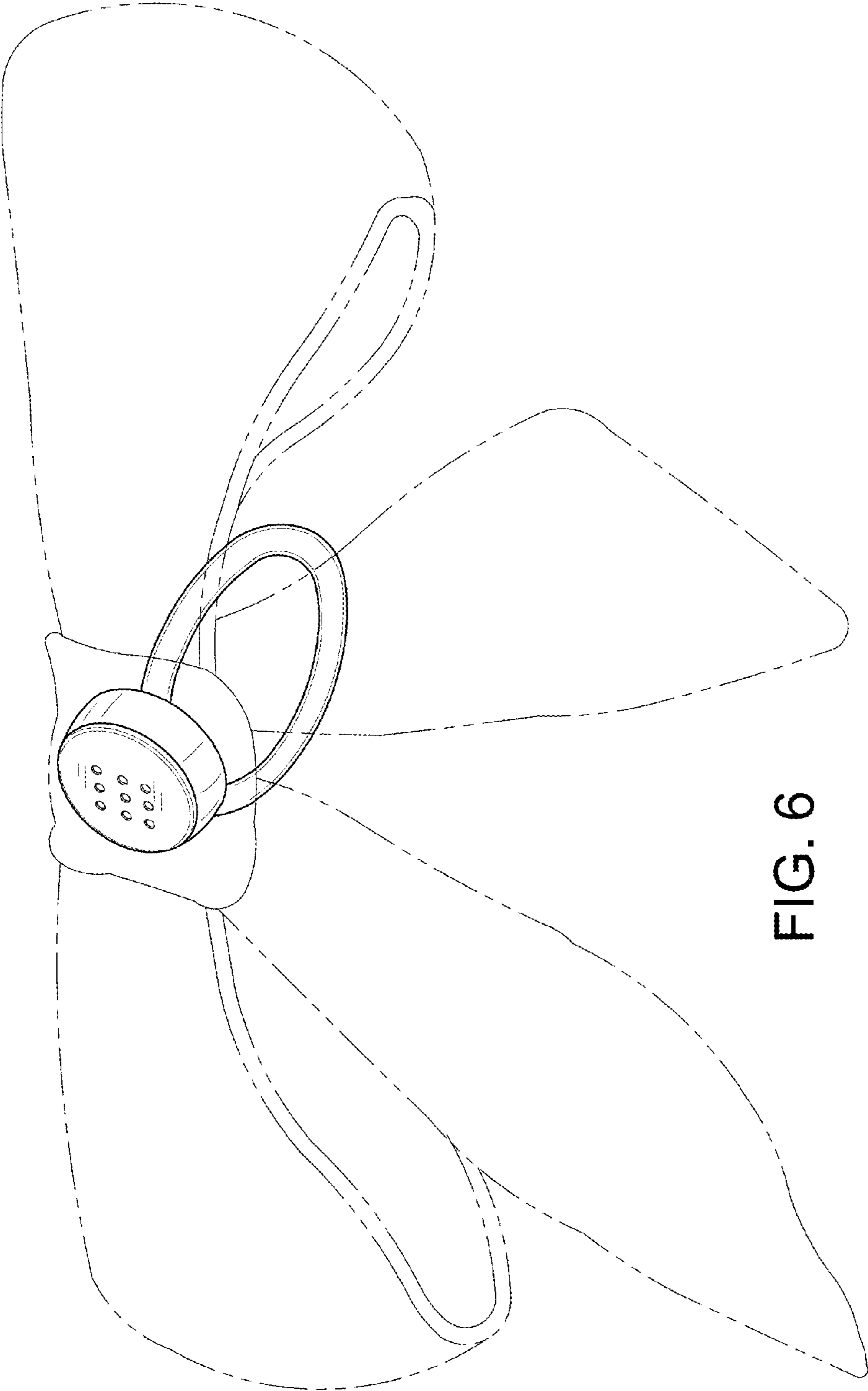


FIG. 6