



US00D718492S

(12) **United States Design Patent**
Albanese

(10) **Patent No.:** **US D718,492 S**

(45) **Date of Patent:** **** Nov. 25, 2014**

(54) **ATOMIZER**

(71) Applicant: **Brett Matthew Albanese**, Los Angeles,
CA (US)

(72) Inventor: **Brett Matthew Albanese**, Los Angeles,
CA (US)

(73) Assignee: **Full Circle Enterprises, LLC**, Los
Angeles, CA (US)

(**) Term: **14 Years**

(21) Appl. No.: **29/484,336**

(22) Filed: **Mar. 7, 2014**

(51) **LOC (10) Cl.** **27-02**

(52) **U.S. Cl.**
USPC **D27/163; D27/101**

(58) **Field of Classification Search**
CPC A24F 1/02; A24F 1/04; A24F 1/06;
A24F 1/08; A24F 1/10; A24F 1/12; A24F
1/14; A24F 1/22; A24F 9/16; A24F
47/002–47/008; A24F 1/30; A24F 47/00
USPC D27/100–101, 106, 143, 152, 161–172,
D27/183–184, 187, 189, 190, 193–194;
131/220–222, 226, 173, 174, 194,
131/328–330, 270, 273; D7/584, 585;
D9/500, 502; D11/143, 144, 146, 152;
D24/110.5

See application file for complete search history.

(56) **References Cited**

U.S. PATENT DOCUMENTS

251,340	A	*	12/1881	Ginter	131/364
D404,517	S	*	1/1999	Dal Monte	D27/101
D405,221	S	*	2/1999	Dal Monte	D27/101
D532,927	S	*	11/2006	Sann	D27/101
D644,375	S	*	8/2011	Zhou	D27/101
D653,803	S	*	2/2012	Timmermans	D27/163
D675,777	S	*	2/2013	Wu	D27/101
D693,053	S	*	11/2013	Chen	D27/101
D694,468	S	*	11/2013	Chen	D27/101
2008/0121244	A1	*	5/2008	Bryman et al.	131/328
2013/0074857	A1	*	3/2013	Buchberger	131/329
2013/0152922	A1	*	6/2013	Benassayag et al.	128/202.21
2013/0298905	A1	*	11/2013	Levin et al.	128/202.21
2014/0053857	A1	*	2/2014	Liu	131/329

* cited by examiner

Primary Examiner — Susan Bennett Hattan

Assistant Examiner — Janice Hallmark

(74) *Attorney, Agent, or Firm* — Lewis Brisbois Bisgaard &
Smith LLP; Josephine Brosas

(57) **CLAIM**

The ornamental design for an atomizer, as shown and
described.

DESCRIPTION

FIG. 1 is a top perspective view of the atomizer of the present
invention;

FIG. 2 is a top view of the atomizer shown in FIG. 1;

FIG. 3 is a bottom view of the atomizer shown in FIG. 1;

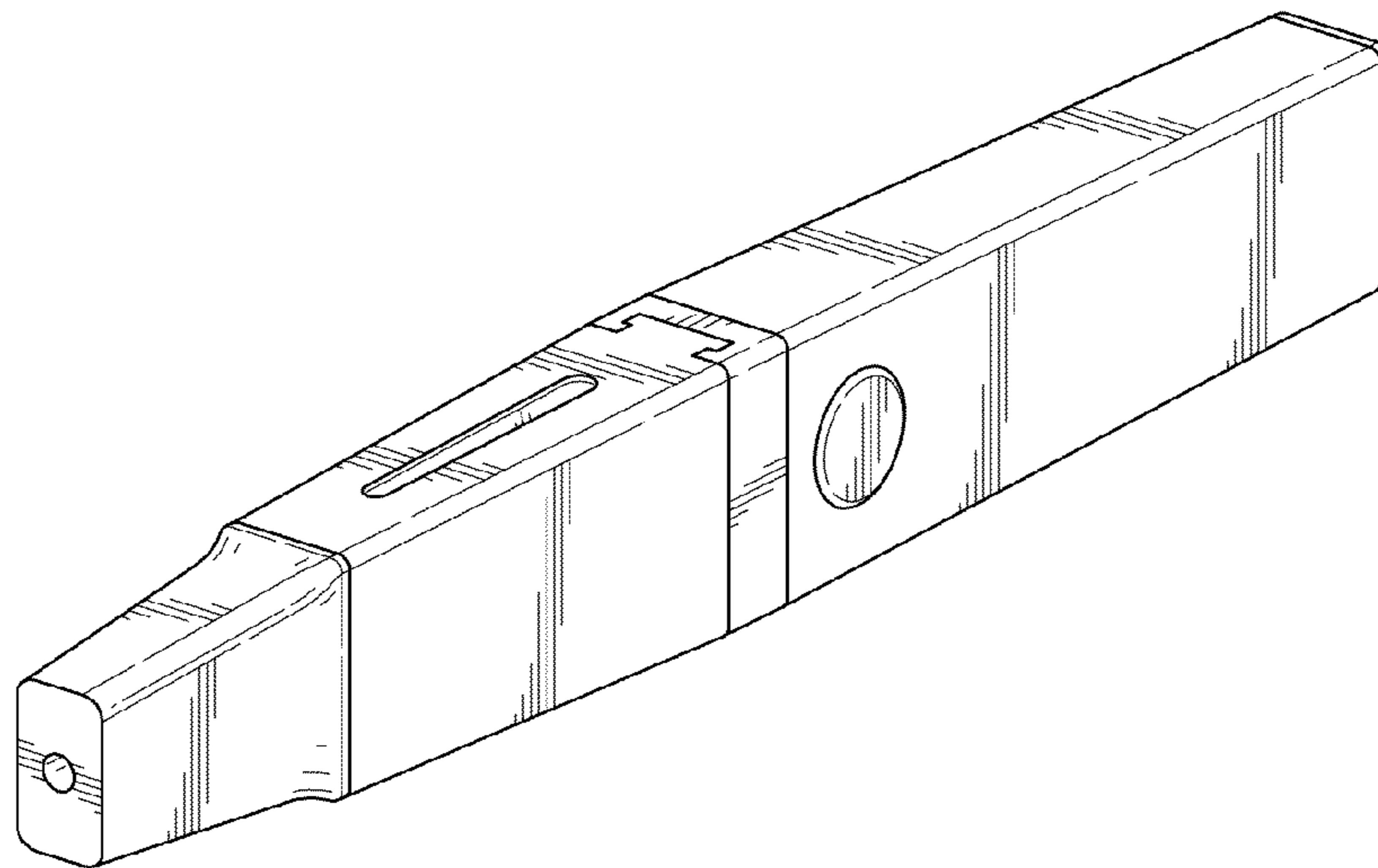
FIG. 4 is a front view of the atomizer shown in FIG. 1;

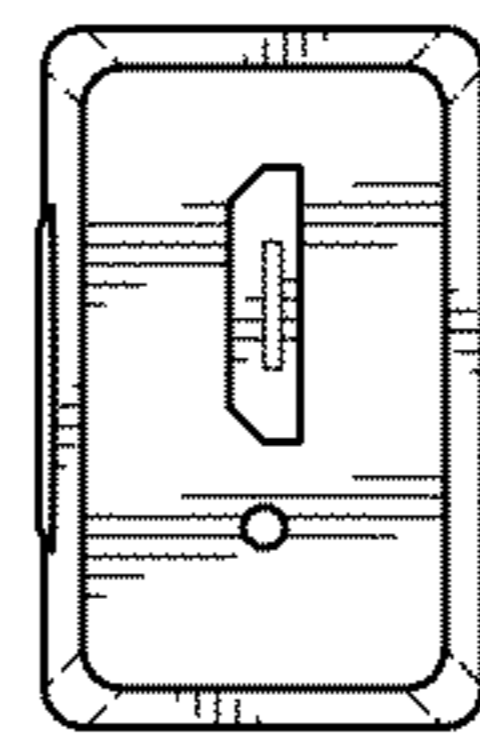
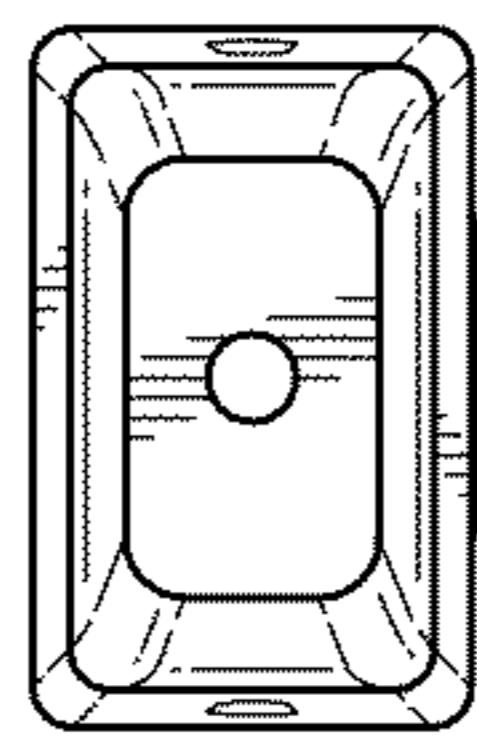
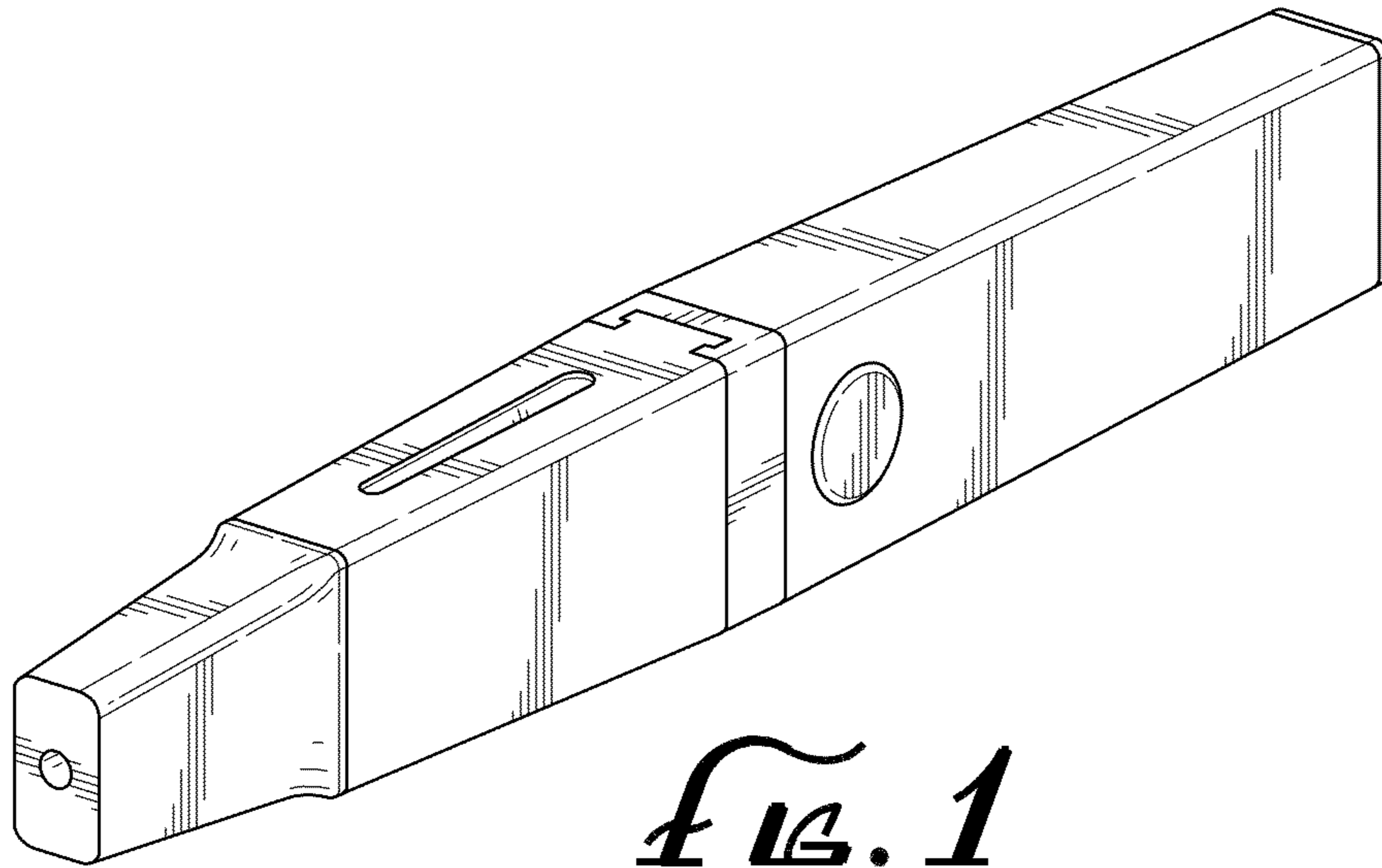
FIG. 5 is a rear view of the atomizer shown in FIG. 1;

FIG. 6 is a right side view of the atomizer shown in FIG. 1;
and,

FIG. 7 is a left side view of the atomizer shown in FIG. 1.

1 Claim, 2 Drawing Sheets





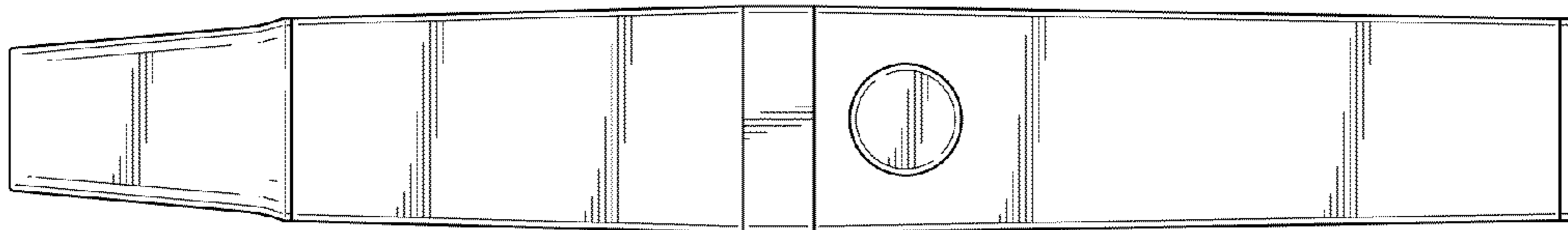


FIG. 4

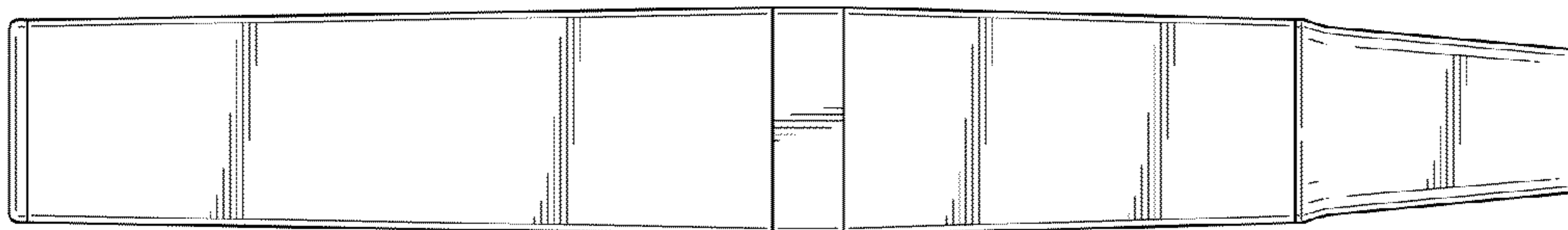


FIG. 5

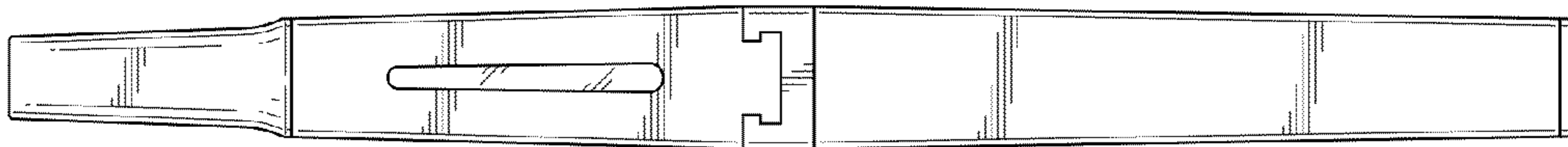


FIG. 6

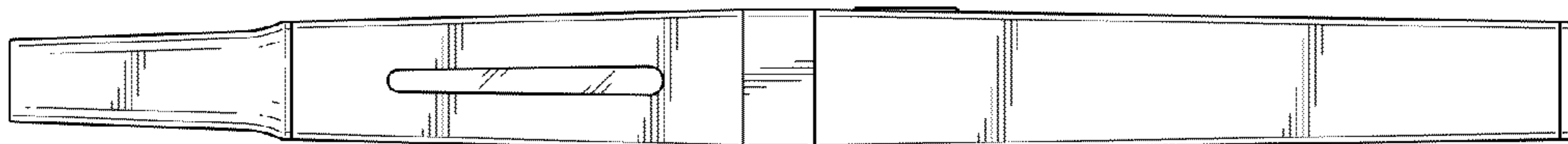


FIG. 7