



US00D718489S

(12) **United States Design Patent**
Wronski et al.

(10) **Patent No.:** **US D718,489 S**

(45) **Date of Patent:** **** Nov. 25, 2014**

- (54) **RECESSED LUMINAIRE HOUSING TOP**
- (71) Applicants: **Grzegorz Wronski**, Peachtree City, GA (US); **Steven Pyschos**, Peachtree City, GA (US)
- (72) Inventors: **Grzegorz Wronski**, Peachtree City, GA (US); **Steven Pyschos**, Peachtree City, GA (US)

D601,293	S *	9/2009	MacKenzie	D26/74
D618,376	S *	6/2010	Redfern et al.	D26/92
7,784,754	B2	8/2010	Nevers et al.		
D632,822	S *	2/2011	Bitton	D26/74
D633,099	S *	2/2011	Van de Ven et al.	D15/1
7,967,481	B2 *	6/2011	Seo	362/366
8,066,412	B2 *	11/2011	Vann et al.	362/362
D673,322	S *	12/2012	Van De Ven et al.	D26/113
2005/0231954	A1 *	10/2005	Czech	362/263
2009/0310330	A1 *	12/2009	Vann et al.	362/20
2011/0075414	A1 *	3/2011	Van De Ven et al.	362/235
2012/0236575	A1 *	9/2012	Tsao	362/373

(73) Assignee: **Cooper Technologies Company**, Houston, TX (US)

(**) Term: **14 Years**

(21) Appl. No.: **29/486,679**

(22) Filed: **Apr. 1, 2014**

(51) **LOC (10) Cl.** **26-99**

(52) **U.S. Cl.**
USPC **D26/118**

(58) **Field of Classification Search**
USPC D26/85, 86, 89, 87, 113, 120, 122, 124, D26/125, 118, 119, 128, 92, 65, 64, 63, 66, D26/67, 69, 1, 2, 74, 75, 76, 78; 362/364, 362/362, 342, 223, 236, 247, 224, 147; D13/179, 180

See application file for complete search history.

(56) **References Cited**

U.S. PATENT DOCUMENTS

5,562,343	A	10/1996	Chan et al.		
5,957,573	A	9/1999	Wedekind et al.		
D444,900	S *	7/2001	Stanway et al.	D26/72
6,293,510	B1 *	9/2001	Bradford et al.	248/317
D448,880	S *	10/2001	Benghozi	D26/74
6,431,723	B1 *	8/2002	Schubert et al.	362/147
6,554,458	B1 *	4/2003	Benghozi	362/365
6,752,520	B2 *	6/2004	Vernusset et al.	362/365
7,118,254	B2 *	10/2006	Czech	362/365
D545,988	S *	7/2007	Goetz-Schaefer	D26/74
7,530,717	B2	5/2009	Magisano et al.		

OTHER PUBLICATIONS

Thomas Lighting; Product specification; PS5 5" Recessed Housing; Dec. 26, 2013.

Thomas Lighting; Product specification; PS5RM; 5" Recessed Housing; Jun. 12, 2013.

Thomas Lighting; Product specification, PS1RM; 6" Recessed Housing; Jun. 12, 2013.

(Continued)

Primary Examiner — Kevin Rudzinski

(74) *Attorney, Agent, or Firm* — King & Spalding

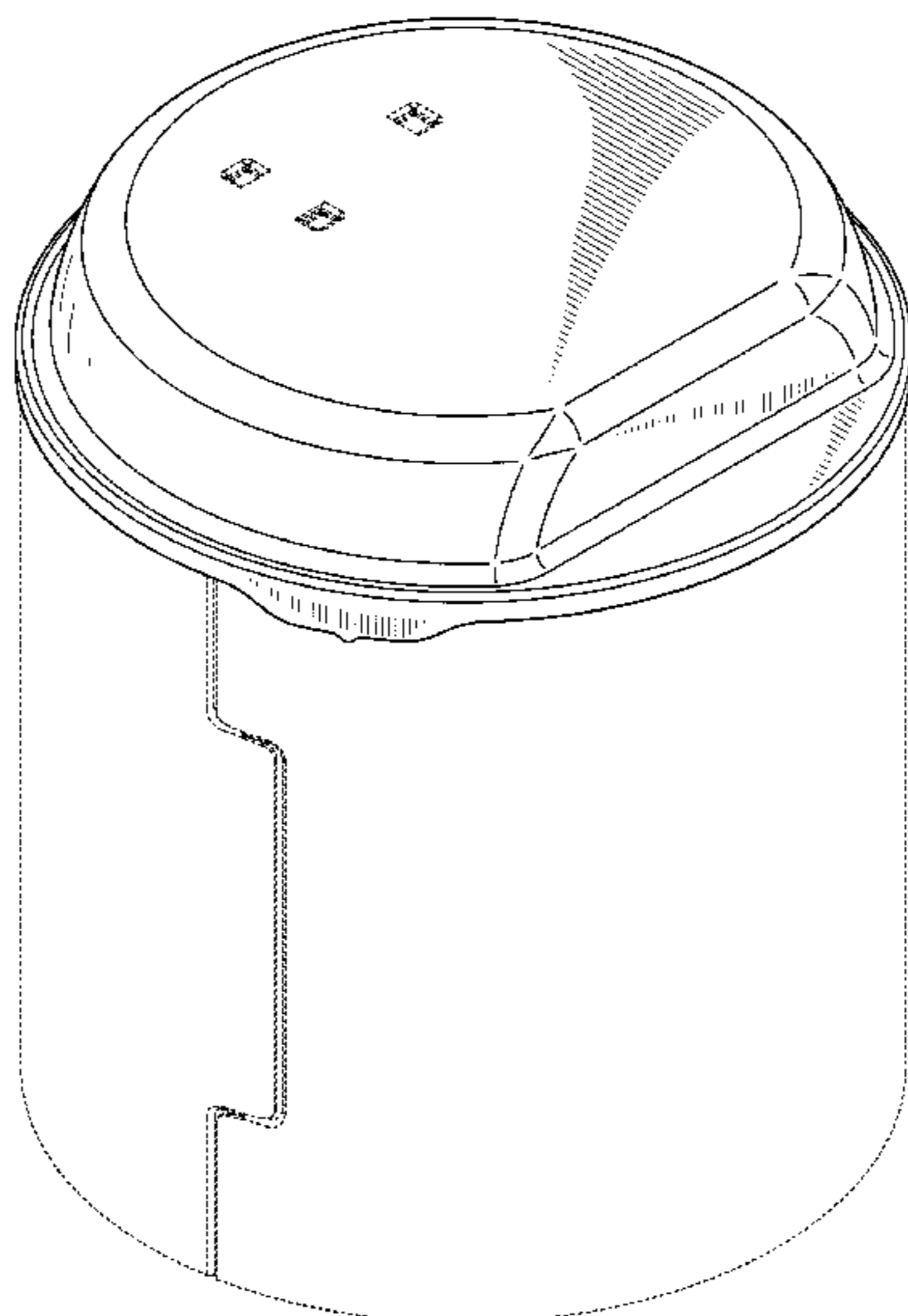
(57) **CLAIM**

The ornamental design for a recessed luminaire housing top, as shown and described.

DESCRIPTION

FIG. 1 is a top perspective view of a recessed luminaire housing top, showing our new design; FIG. 2 is a bottom perspective view thereof; FIG. 3 is a top plan view thereof; FIG. 4 is a bottom plan view thereof; FIG. 5 is a left side elevation view thereof; FIG. 6 is a right side elevation view thereof; FIG. 7 is a front side elevation view thereof; and, FIG. 8 is a rear side elevation view thereof. The broken lines that illustrate portions of the recessed luminaire housing form no part of the claimed design.

1 Claim, 8 Drawing Sheets



(56)

References Cited

OTHER PUBLICATIONS

Thomas Lighting; Product specification; PS1 6" Recessed Housing; Jun. 12, 2013.

Juno Lighting; Product specification; 6" Deluxe Universal TC Remodel Housing; TC2R; Aug. 2009.

Juno Lighting; Product specification; 6" Economy Universal IC Remodel Housing; IC22R; Oct. 2009.

Philips Lightolier; Product specification; Lytening LED; Oct. 2012.

Progress Lighting; Product specification; 5" Shallow Housing IC, Non-IC & Air-Tight; Nov. 2001.

Progress Lighting; Product specification; 6" Housing IC, Non-IC & Air-Tight; Nov. 2013.

Progress Lighting; Product specification; 6" Housing IC, Non-IC & Air-Tight w/Quick Connects; Nov. 2013.

Nora Lighting; Product specification; NHRIC-504QAT; 5" IC Air-Tight Line Voltage Remodel Housing; Jan. 2, 2004.

Nora Lighting; Product specification; NHRIC-501QAT; IC Housing; Jan. 2, 2002.

WAC Lighting; Product specification; R-602D-N-ICA; 6" Line Voltage New Construction Housing 120V-IC Rated-Airtight Ready; Apr. 2014.

WAC Lighting; Product specification; R-603D-R-ICA; 6" Line Voltage Remodel Housing 120V-IC Rated-Airtight Ready; Apr. 2014.

Prescolite; LiteBox-Light Commercial and Residential Downlights; Catalog; Jan. 2009.

Lithonia Lighting; Residential Recessed Downlighting Guide; Feb. 2014.

* cited by examiner

FIG. 1

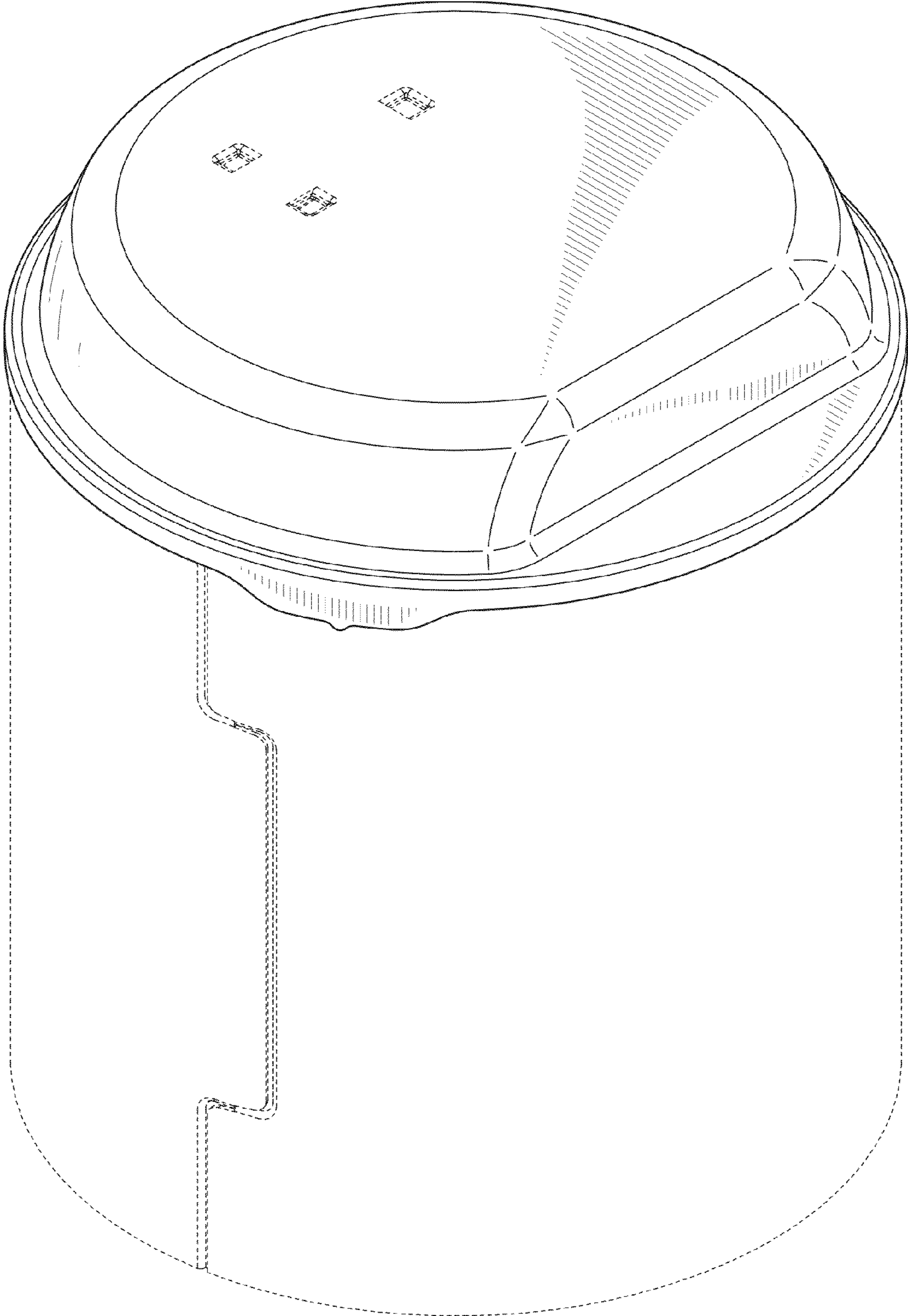


FIG. 2

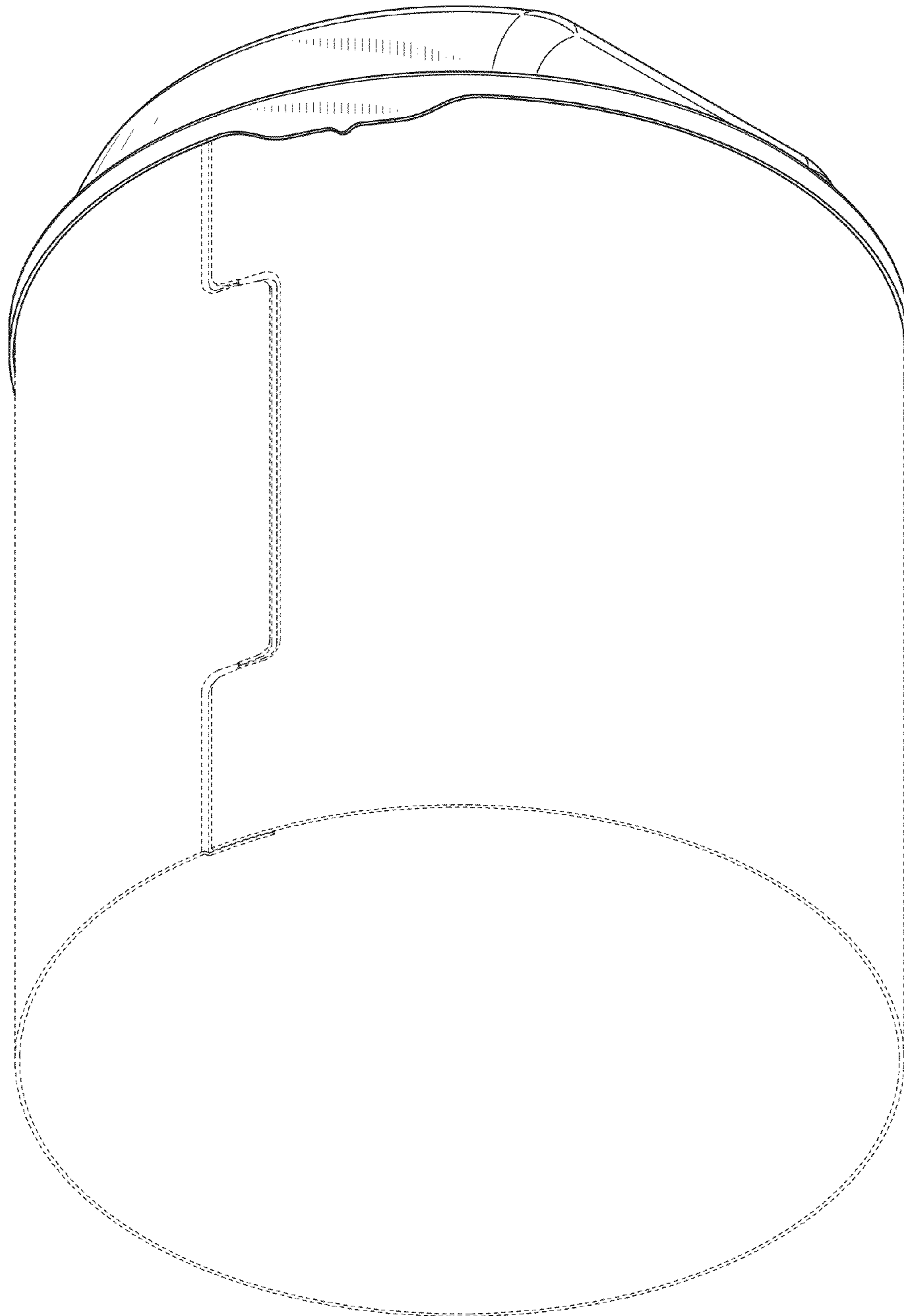


FIG. 3

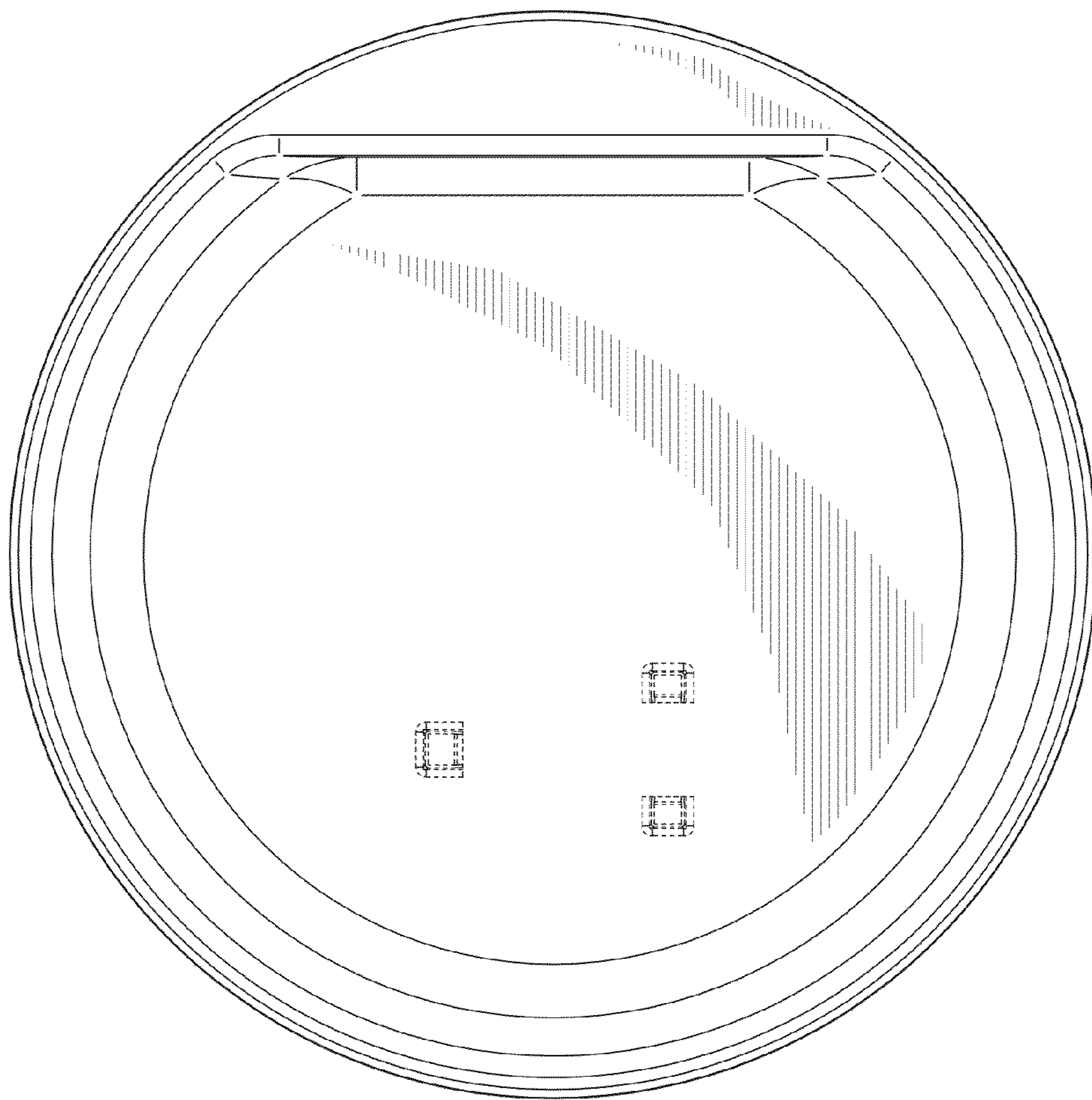


FIG. 4

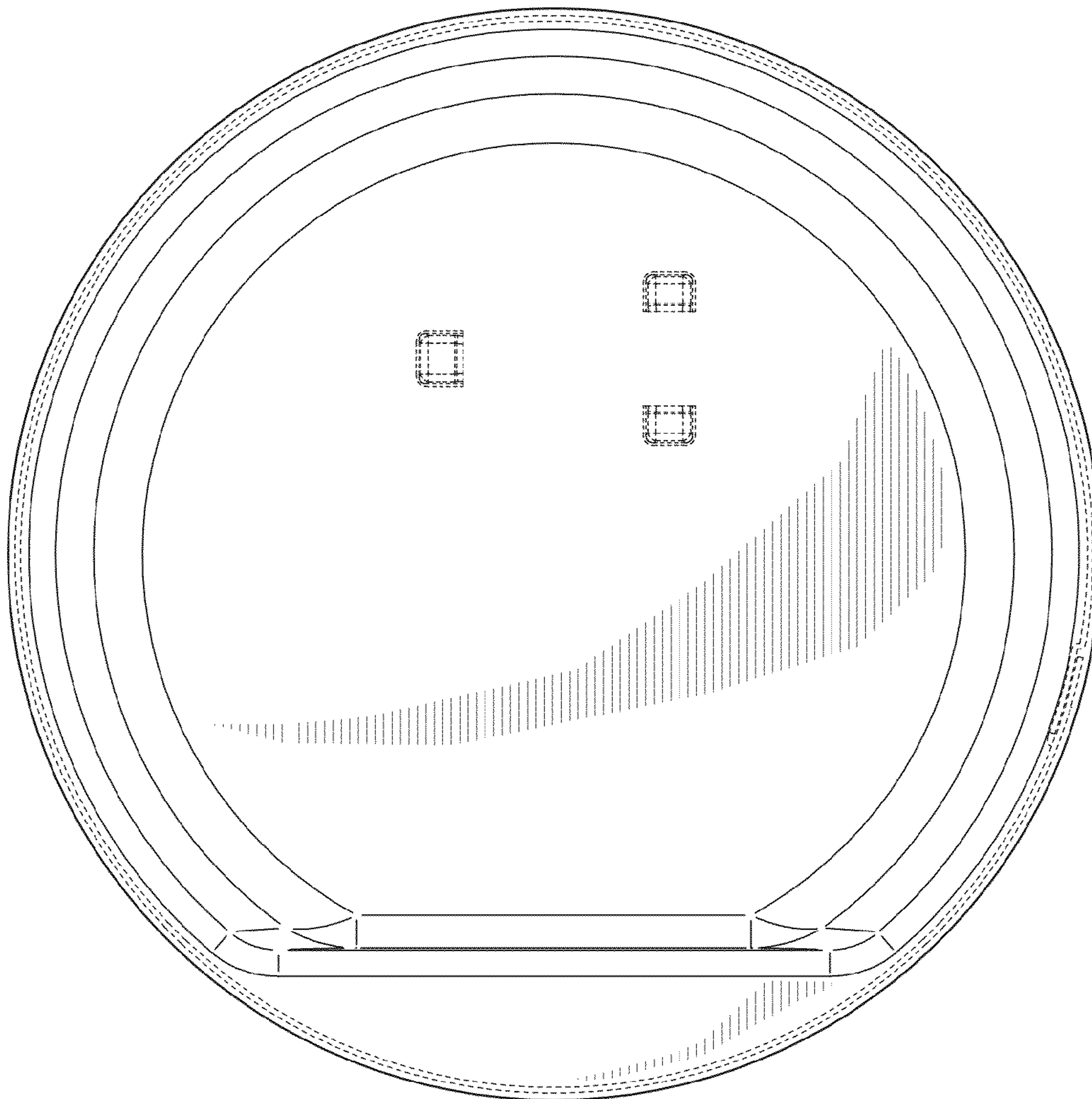


FIG. 5

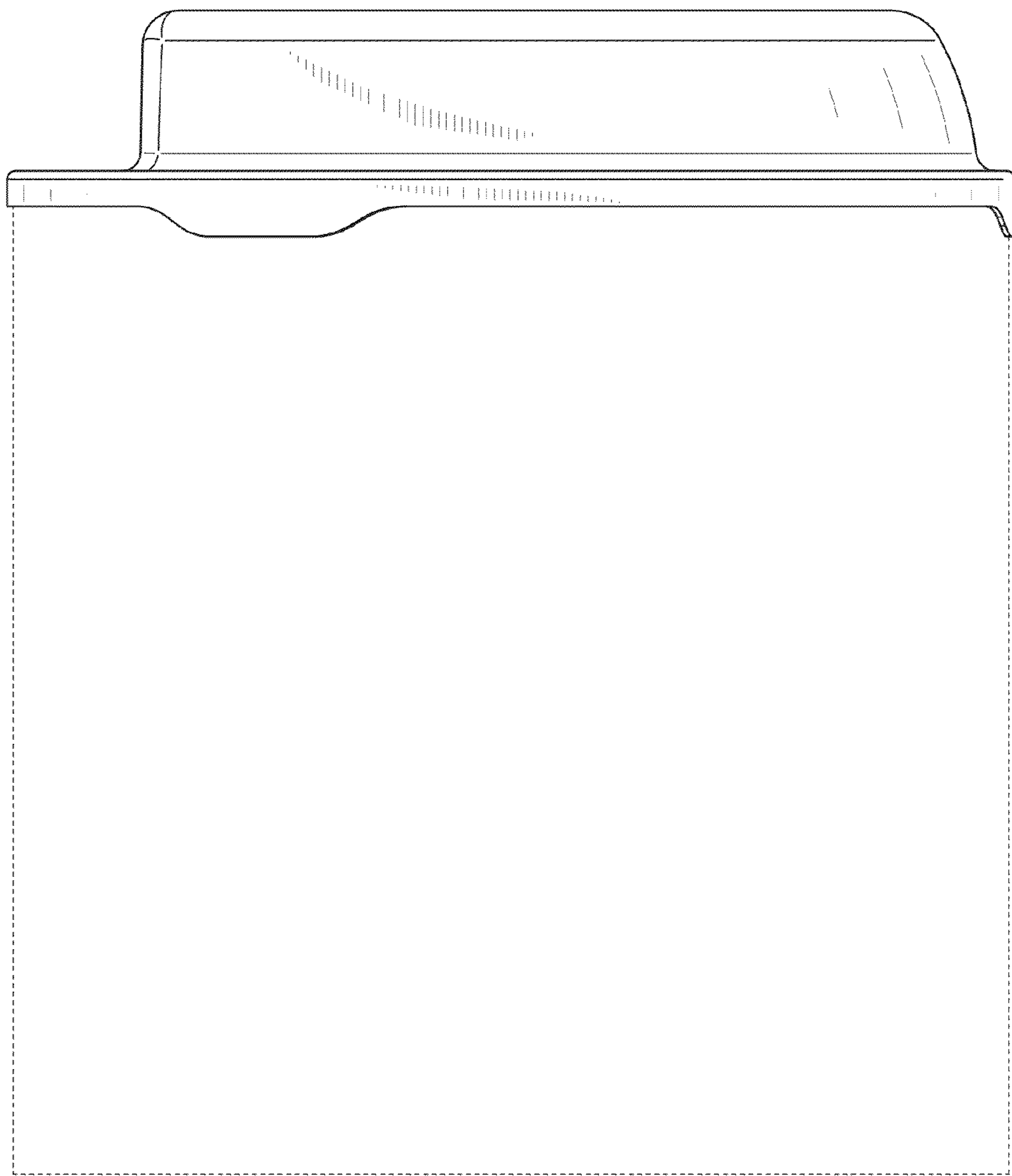


FIG. 6

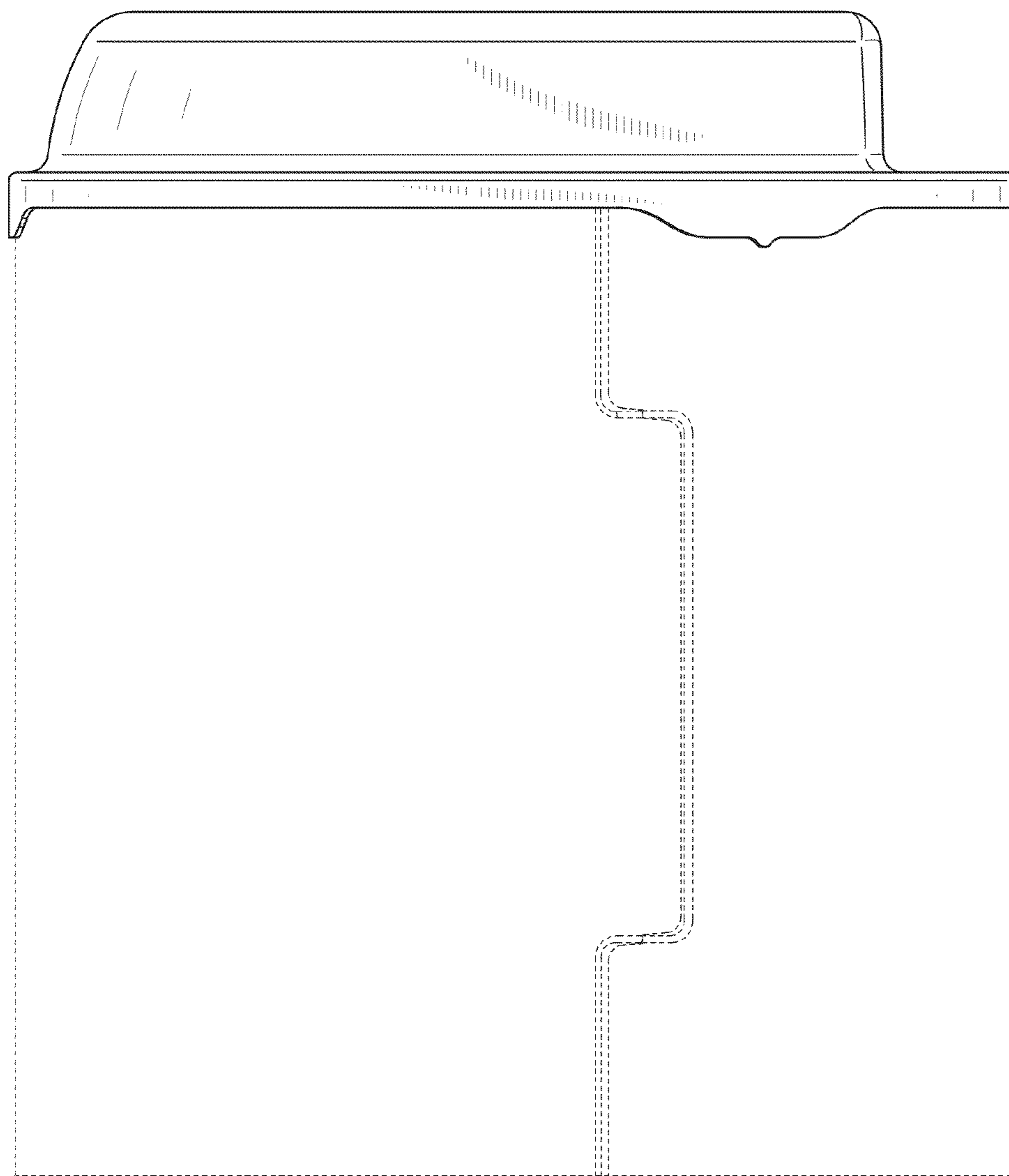


FIG. 7

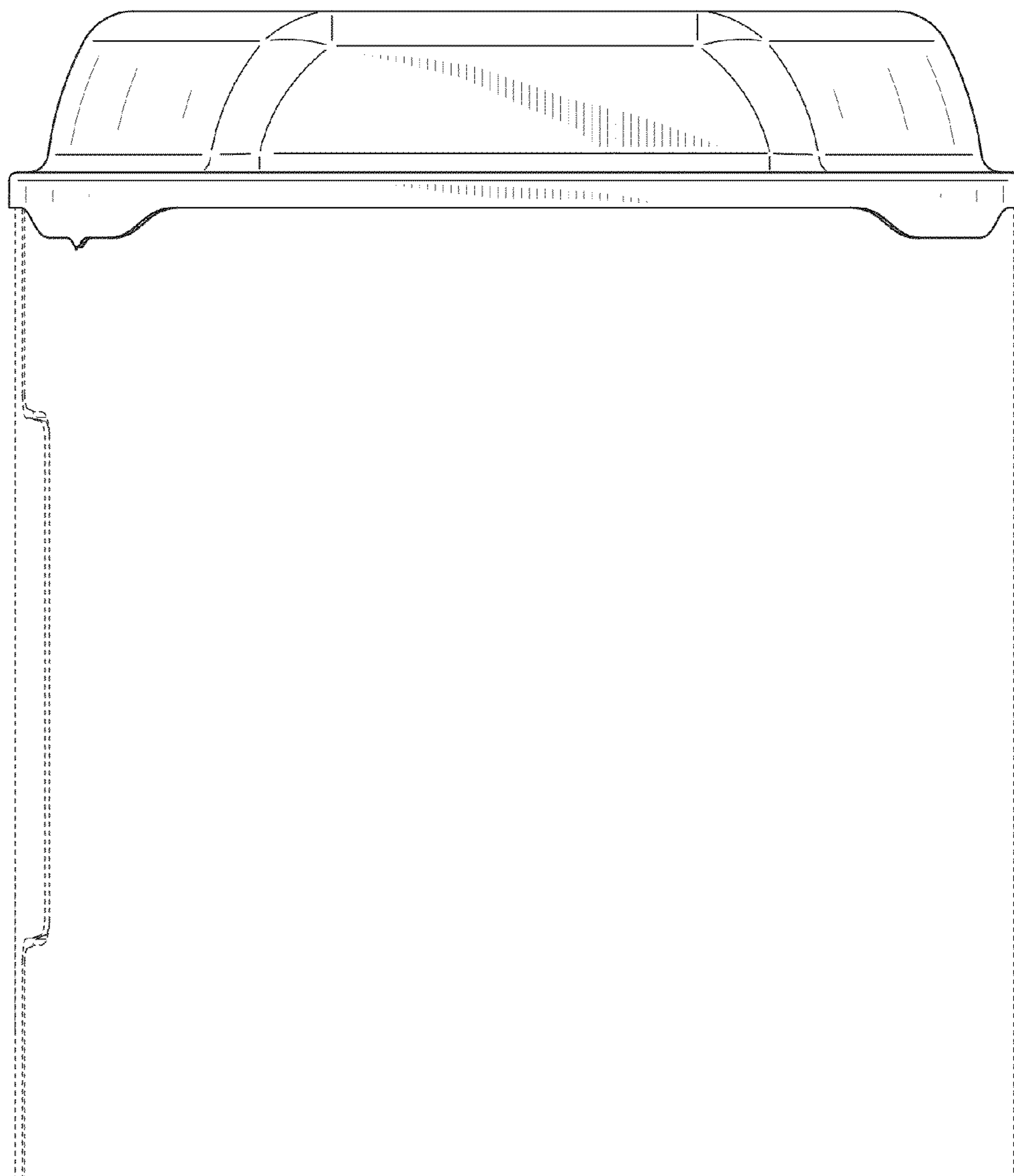


FIG. 8

