



US00D718488S

(12) **United States Design Patent**
Hildebrandt

(10) **Patent No.:** **US D718,488 S**

(45) **Date of Patent:** **** Nov. 25, 2014**

(54) **REFLECTOR FOR A RECESSED LIGHTING FIXTURE**

(71) Applicant: **Zumtobel Lighting GmbH**, Lemgo (DE)

(72) Inventor: **Eugen Hildebrandt**, Lemgo (DE)

(73) Assignee: **Zumtobel Lighting GmbH**, Lemgo (DE)

(**) Term: **14 Years**

(21) Appl. No.: **29/486,673**

(22) Filed: **Apr. 1, 2014**

Related U.S. Application Data

(62) Division of application No. 29/461,106, filed on Jul. 18, 2013.

Foreign Application Priority Data

Mar. 20, 2013 (EM) 001 364 624

(51) **LOC (10) Cl.** **26-99**

(52) **U.S. Cl.**
USPC **D26/118**

(58) **Field of Classification Search**
USPC D26/72-74, 78, 81-85, 87-90, 93, 113, D26/118-124, 133, 134, 138-142; D2/872, D2/873, 882, 885, 886, 893; D11/143, D11/151-154; D6/553, 556; 362/215, 362/217.02, 217.05, 217.07, 404, 407, 412, 362/416; D3/29

See application file for complete search history.

(56) **References Cited**

U.S. PATENT DOCUMENTS

1,355,298 A * 10/1920 Bauman 87/52
1,394,394 A * 10/1921 Balkey 7/121

D93,673 S * 10/1934 Reittinger D26/133
D379,547 S * 5/1997 Tognu' D26/92
D409,829 S * 5/1999 Hanner D3/29
D410,298 S * 5/1999 Sherman D26/118
D427,353 S * 6/2000 Ewing et al. D26/85
D427,354 S * 6/2000 Ewing et al. D26/85
D516,740 S * 3/2006 Sales D26/123
D557,444 S * 12/2007 Ruggles et al. D26/88
D611,244 S * 3/2010 Ozeki D3/29
D615,683 S * 5/2010 Chen D26/68
D615,692 S * 5/2010 Lavallee D26/85

(Continued)

Primary Examiner — Garth Rademaker

Assistant Examiner — Llorellys Martinez-Rivera

(74) *Attorney, Agent, or Firm* — Marshall, Gerstein & Borun LLP

(57) **CLAIM**

The ornamental design for a reflector for a recessed lighting fixture, as shown and described.

DESCRIPTION

FIG. 1 is a front, left-side, and bottom isometric view of a reflector for a recessed lighting fixture showing the new design.

FIG. 2 is a front elevation view of the reflector for a recessed lighting fixture.

FIG. 3 is a left-side elevation view of the reflector for a recessed lighting fixture.

FIG. 4 is a right-side elevation view of the reflector for a recessed lighting fixture.

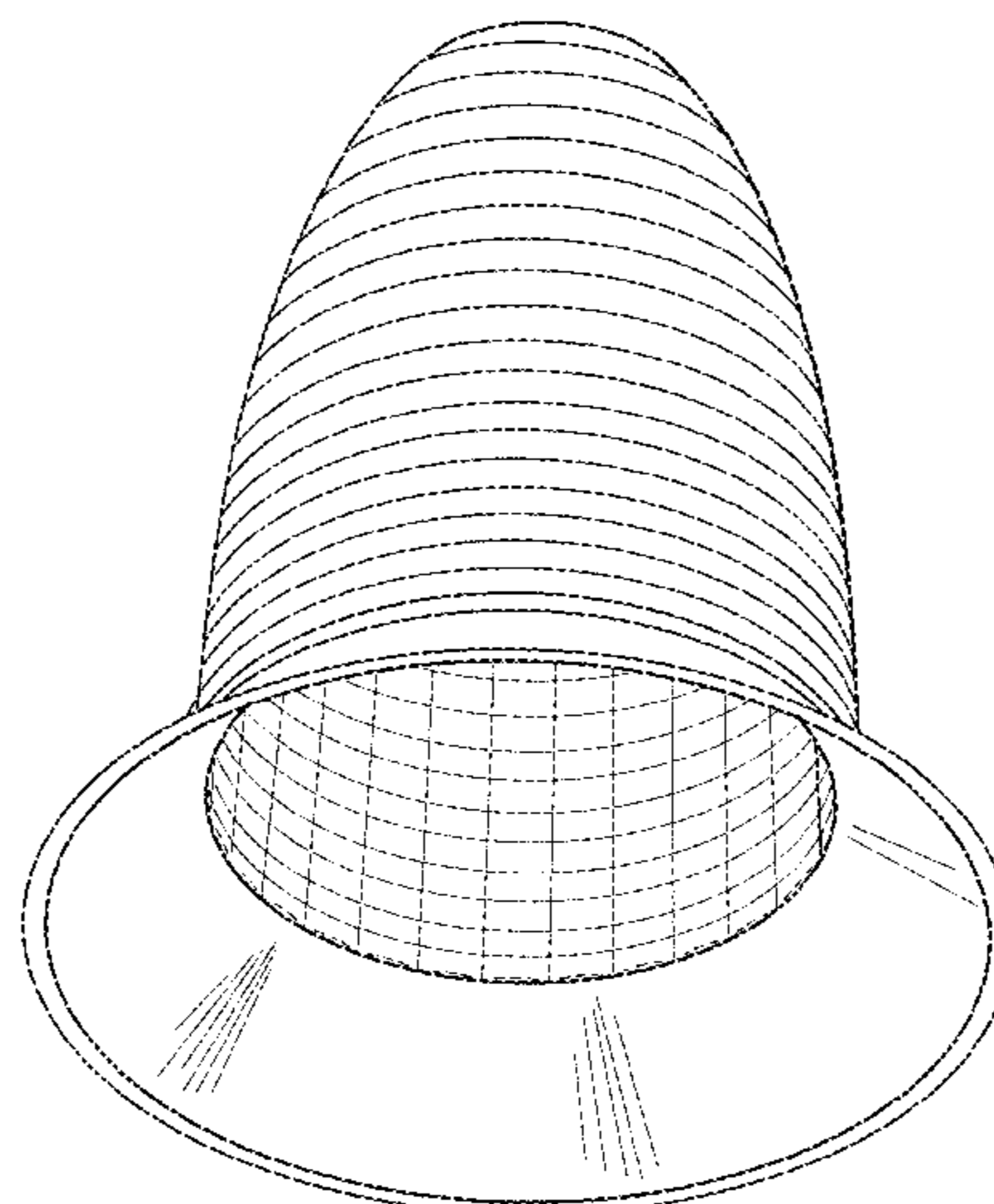
FIG. 5 is a rear elevation view of the reflector for a recessed lighting fixture.

FIG. 6 is a bottom plan view of the reflector for a recessed lighting fixture; and,

FIG. 7 is a top plan view of the reflector for a recessed lighting fixture.

The broken lines in the drawings represent portions of the reflector for a recessed lighting fixture that form no part of the claimed design.

1 Claim, 4 Drawing Sheets



(56)

References Cited

U.S. PATENT DOCUMENTS

D635,706 S * 4/2011 Hodgson D26/60
D636,517 S * 4/2011 Robinson D26/67
D650,511 S * 12/2011 Hine et al. D26/93
D659,292 S * 5/2012 Bryan et al. D29/122

D672,895 S * 12/2012 Guercio et al. D26/62
D672,896 S * 12/2012 Guercio et al. D26/62
D681,926 S * 5/2013 Votel et al. D2/886
D686,362 S * 7/2013 Melrose D26/118
D702,421 S * 4/2014 Bartelt D2/882
D705,064 S * 5/2014 Sy D11/154
2005/0099817 A1* 5/2005 Lin 362/404

* cited by examiner

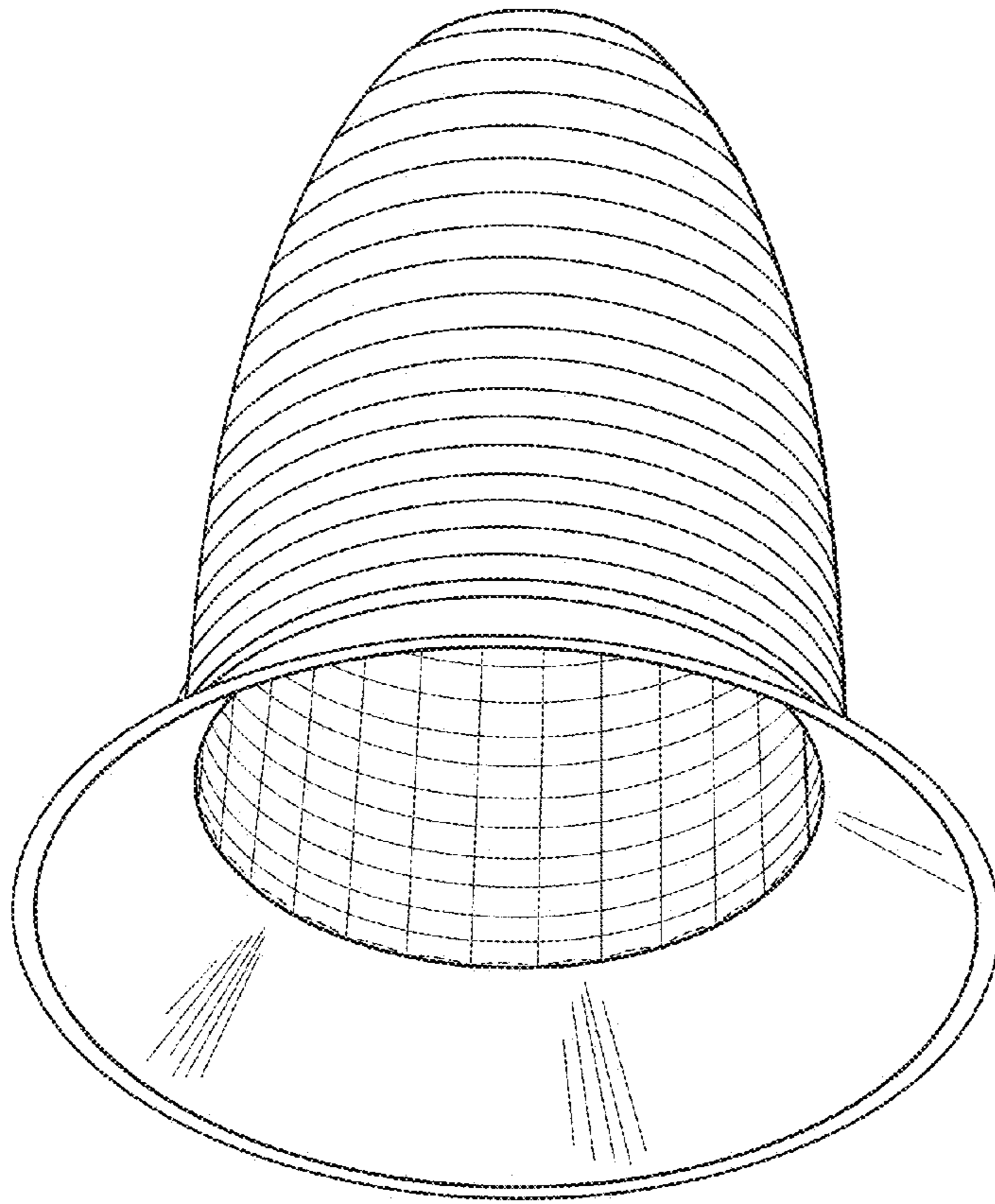


FIG. 1

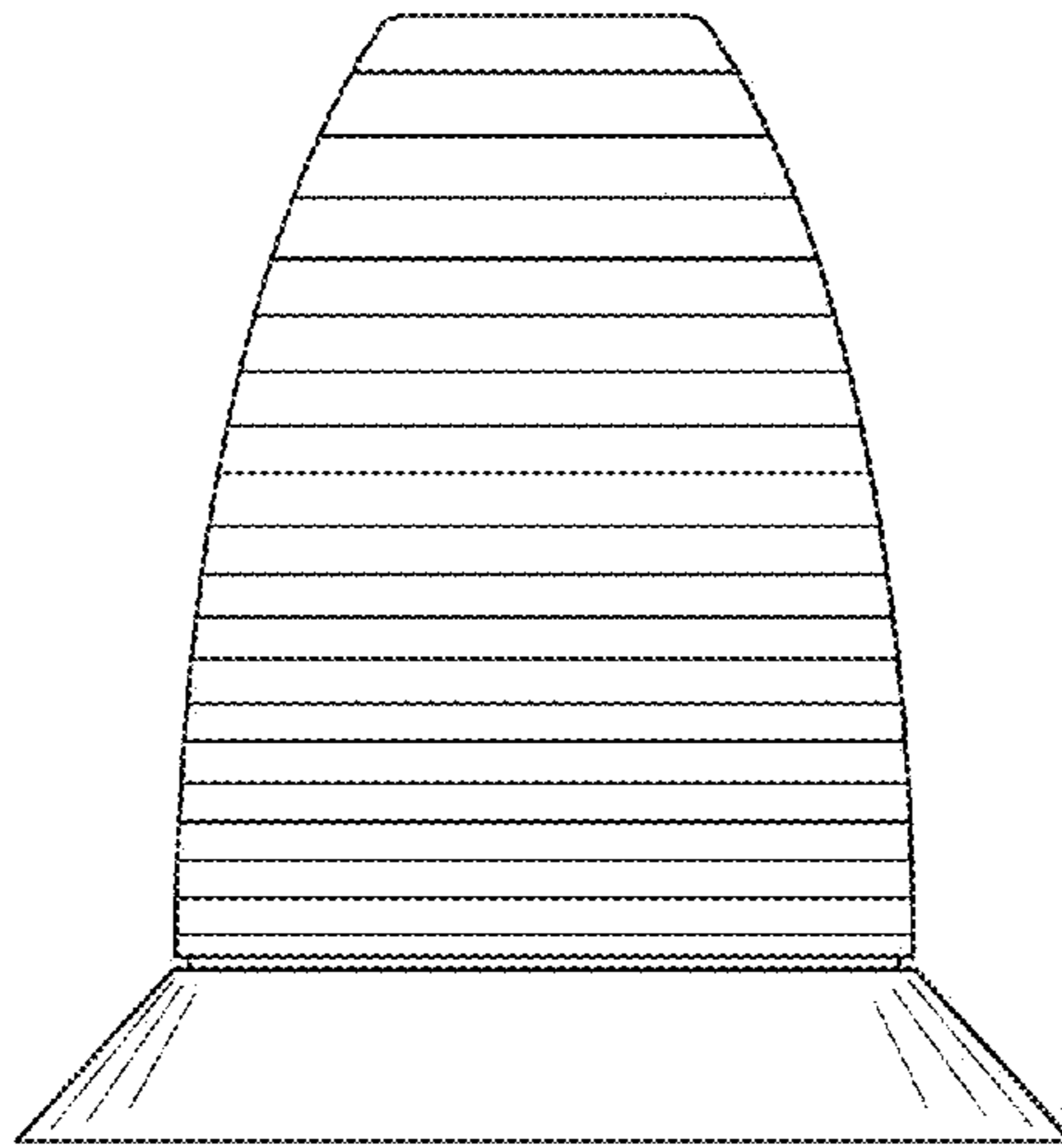


FIG. 2

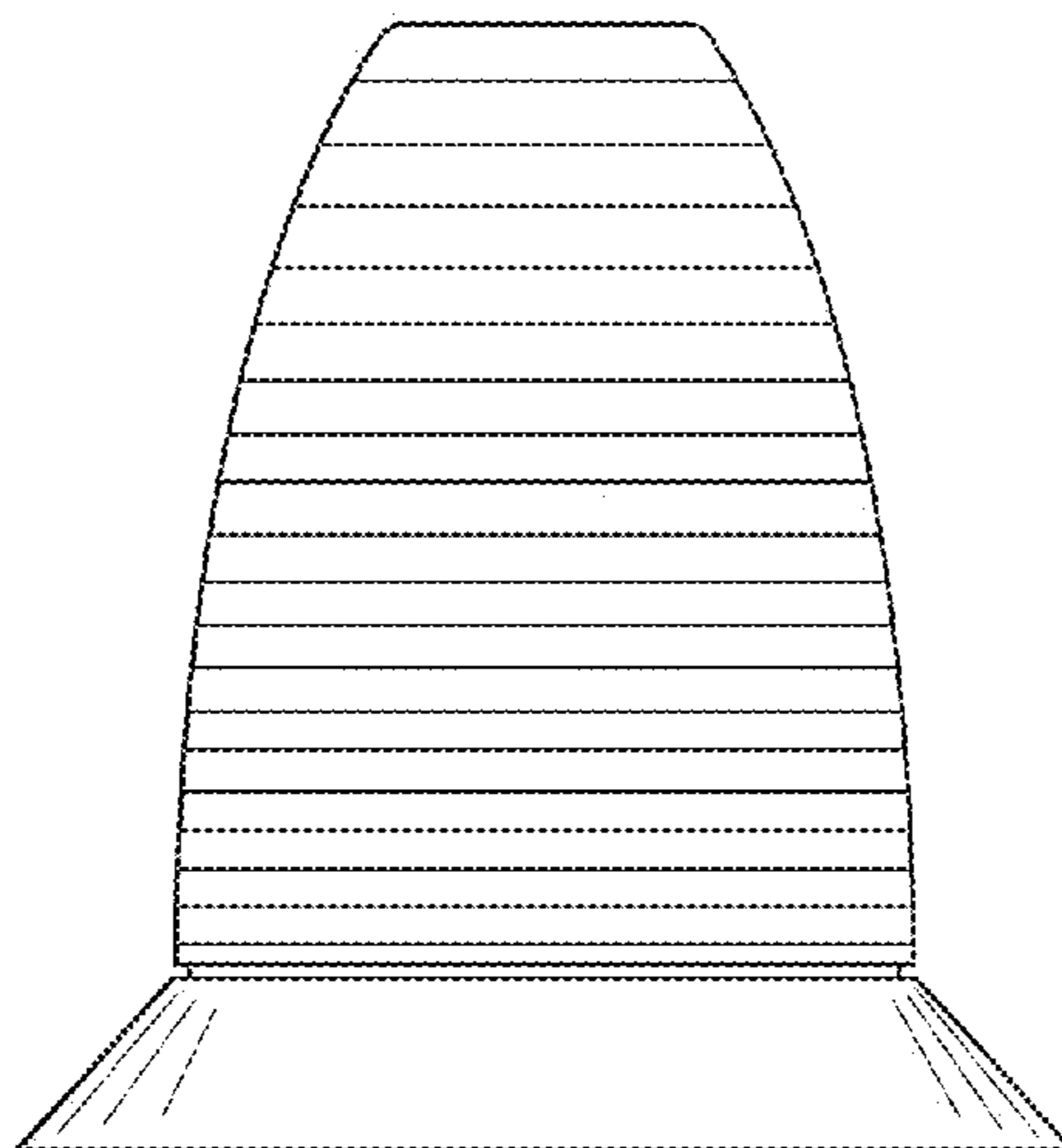


FIG. 3

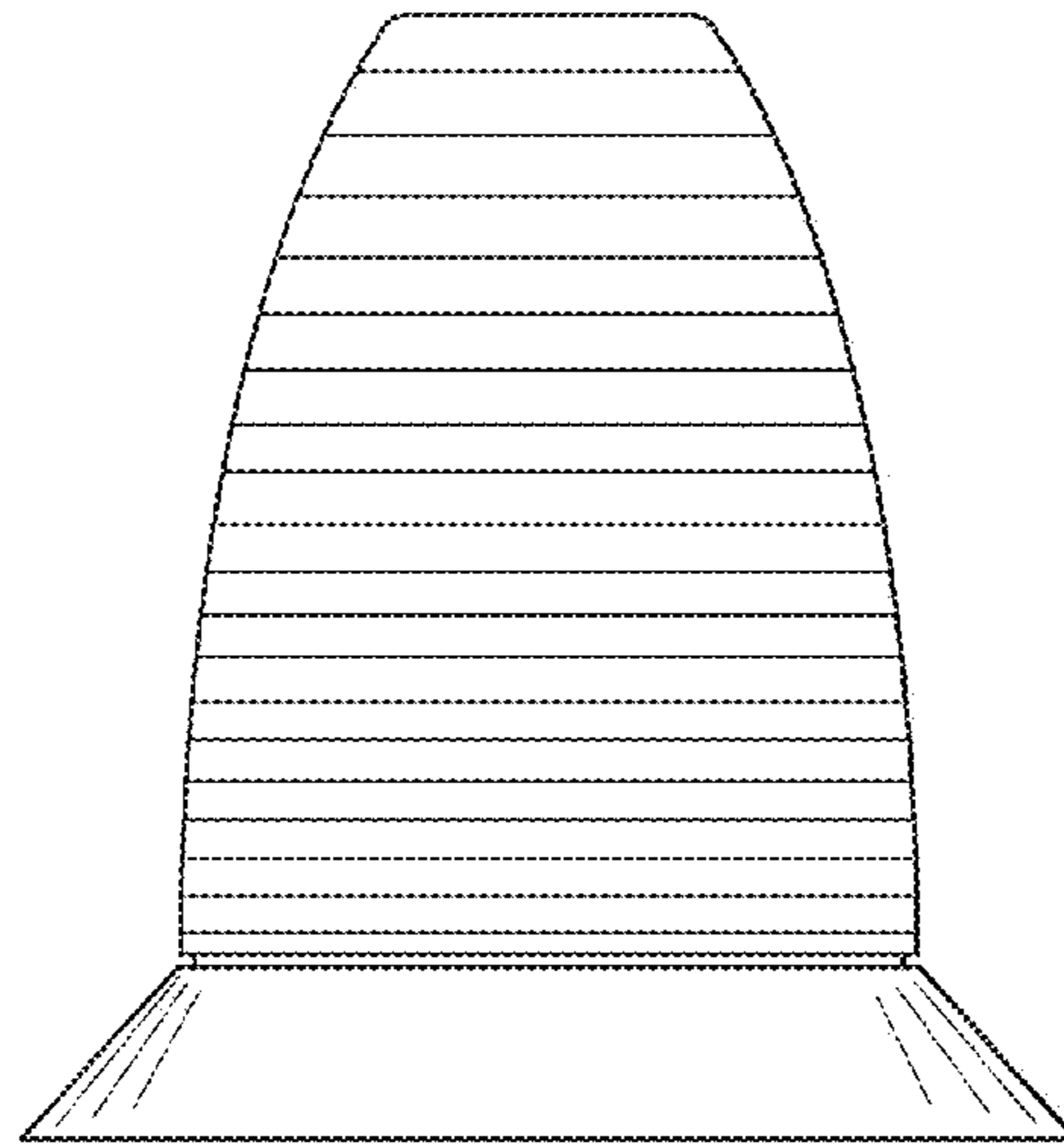


FIG. 4

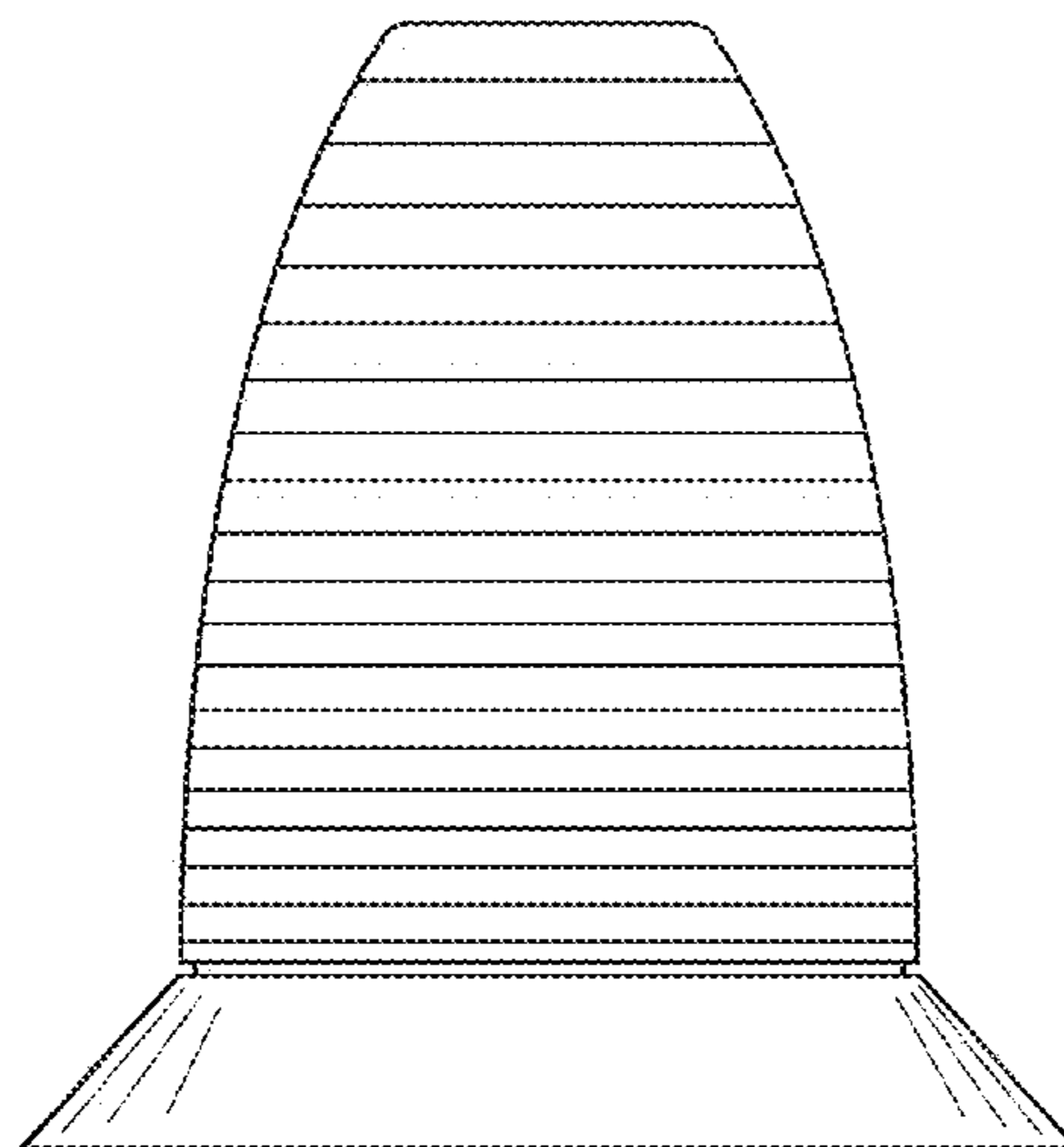


FIG. 5

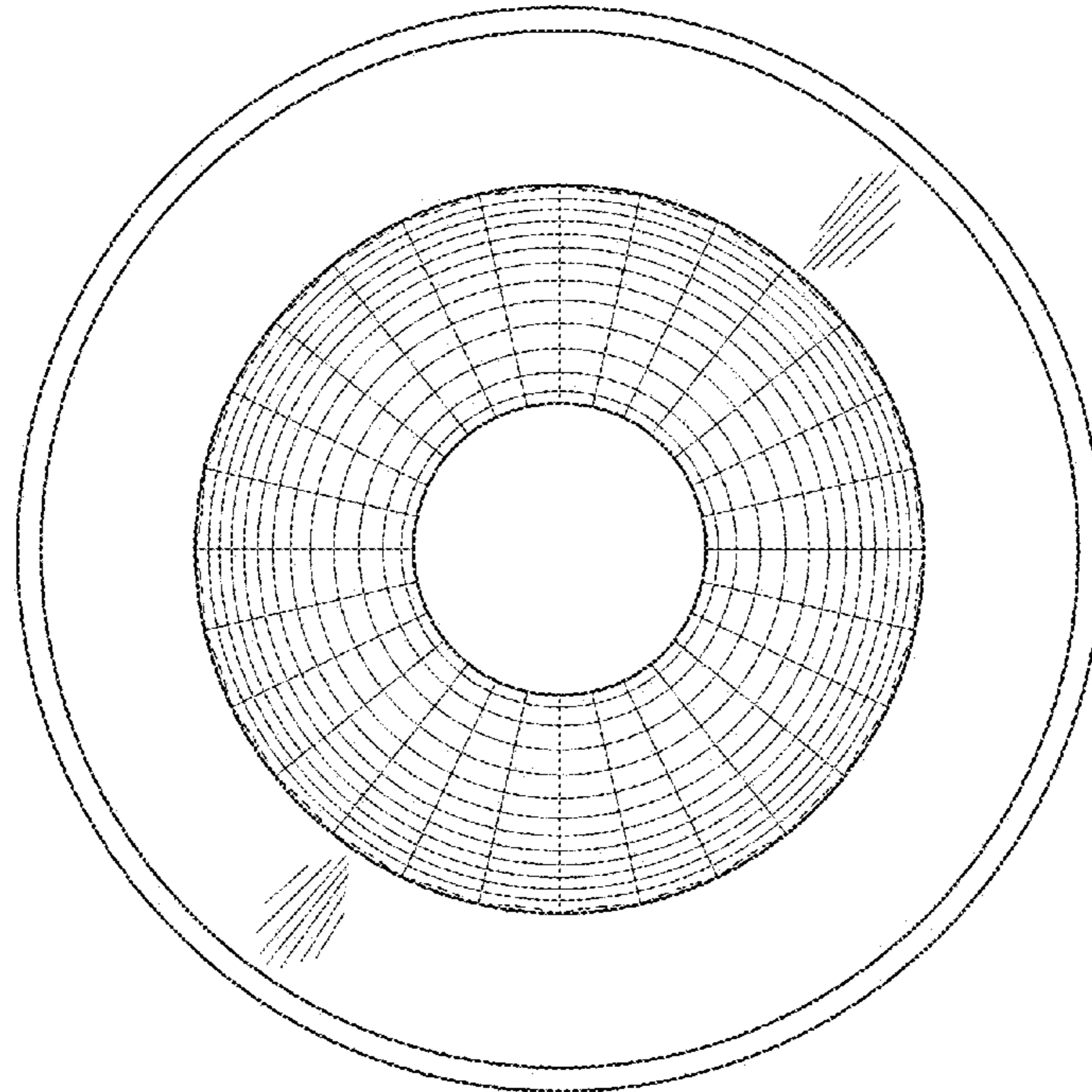


FIG. 6

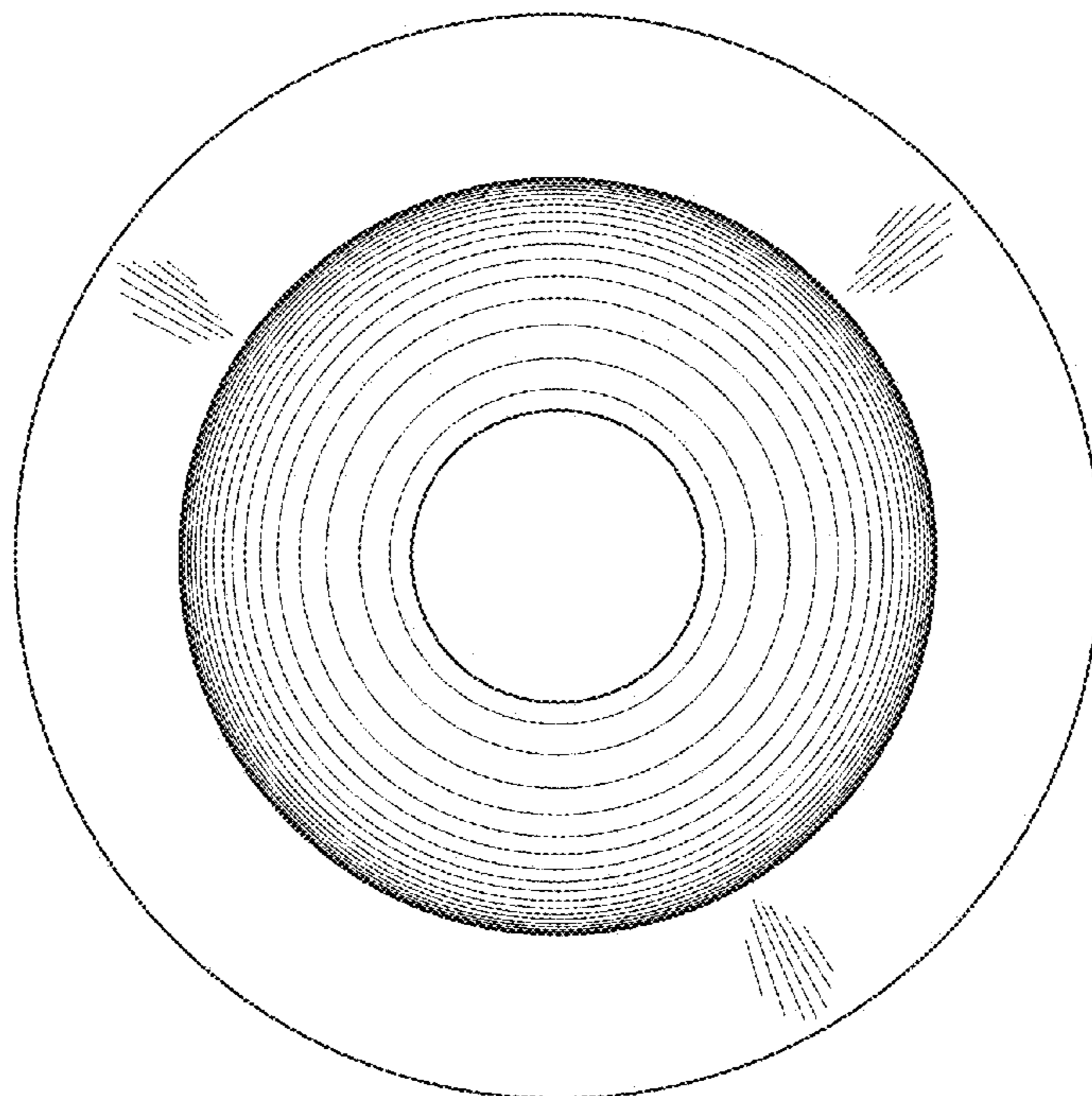


FIG. 7