



US00D718484S

(12) **United States Design Patent**  
**Eberle**

(10) **Patent No.:** **US D718,484 S**

(45) **Date of Patent:** **\*\* \*Nov. 25, 2014**

(54) **LIGHTING FIXTURE**

(71) Applicant: **Zumtobel Lighting GmbH**, Dornbirn (AT)

(72) Inventor: **Daniel Eberle**, Dornbirn (AT)

(73) Assignee: **Zumtobel Lighting GmbH**, Lemgo (DE)

(\*) Notice: This patent is subject to a terminal disclaimer.

(\*\*) Term: **14 Years**

(21) Appl. No.: **29/443,408**

(22) Filed: **Jan. 17, 2013**

(30) **Foreign Application Priority Data**

Jul. 17, 2012 (EM) ..... 001 335 160

(51) **LOC (10) Cl.** ..... **26-03**

(52) **U.S. Cl.**  
USPC ..... **D26/89**

(58) **Field of Classification Search**  
USPC ..... D26/1, 24, 72, 74, 80, 83, 85, 86, 89,  
D26/91, 118, 120, 124, 128, 131, 135;  
362/101, 133, 147, 267, 453–456, 507  
See application file for complete search history.

(56) **References Cited**

**U.S. PATENT DOCUMENTS**

D28,455 S *	4/1898	Baker	.....	D26/124
D165,259 S *	11/1951	Baker	.....	D26/74
D190,387 S *	5/1961	Wince	.....	D26/89
D213,464 S *	3/1969	Meyer	.....	D26/89
D221,351 S *	8/1971	Remington	.....	D26/86

D284,109 S *	6/1986	Seal, Jr.	.....	D26/72
D308,423 S *	6/1990	Galipeau et al.	.....	D26/67
D309,953 S *	8/1990	Chien	.....	D26/67
D375,808 S *	11/1996	Fang	.....	D26/26
D473,667 S *	4/2003	Fromm	.....	D26/56
D514,732 S *	2/2006	Benensohn	.....	D26/89
D551,379 S *	9/2007	Maxik	.....	D26/74
D592,348 S *	5/2009	Trott et al.	.....	D26/74
D629,146 S *	12/2010	van den Akker	.....	D26/89
D632,007 S *	2/2011	Kim et al.	.....	D26/120
D634,055 S *	3/2011	Hokazono et al.	.....	D26/89
D648,060 S *	11/2011	Yamamoto et al.	.....	D26/120
D668,374 S *	10/2012	Wauters	.....	D26/89
D671,259 S *	11/2012	Chen	.....	D26/135
D698,981 S *	2/2014	Eberle		

\* cited by examiner

*Primary Examiner* — Clare E Heflin

(74) *Attorney, Agent, or Firm* — Marshall, Gerstein & Borun LLP

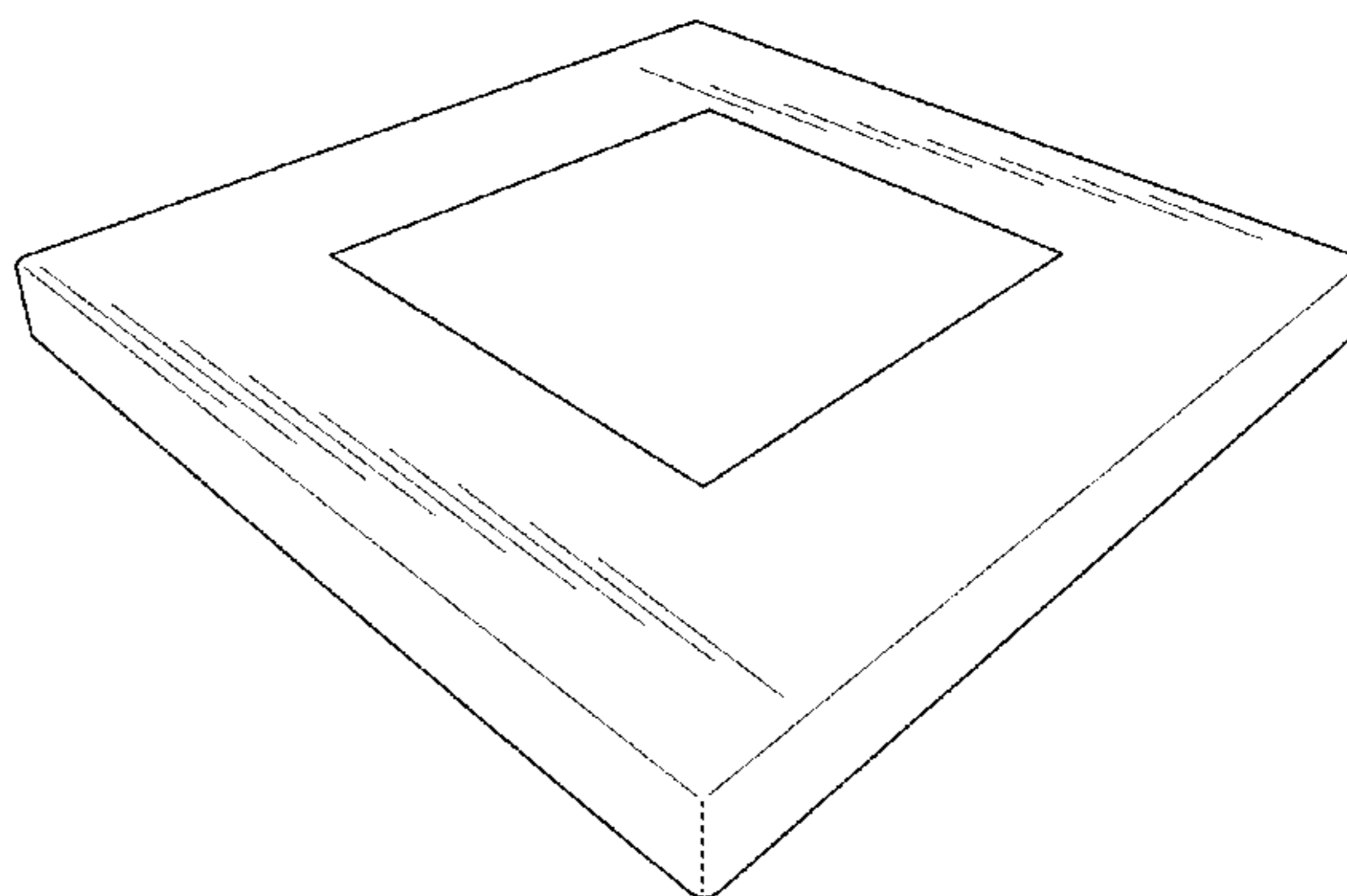
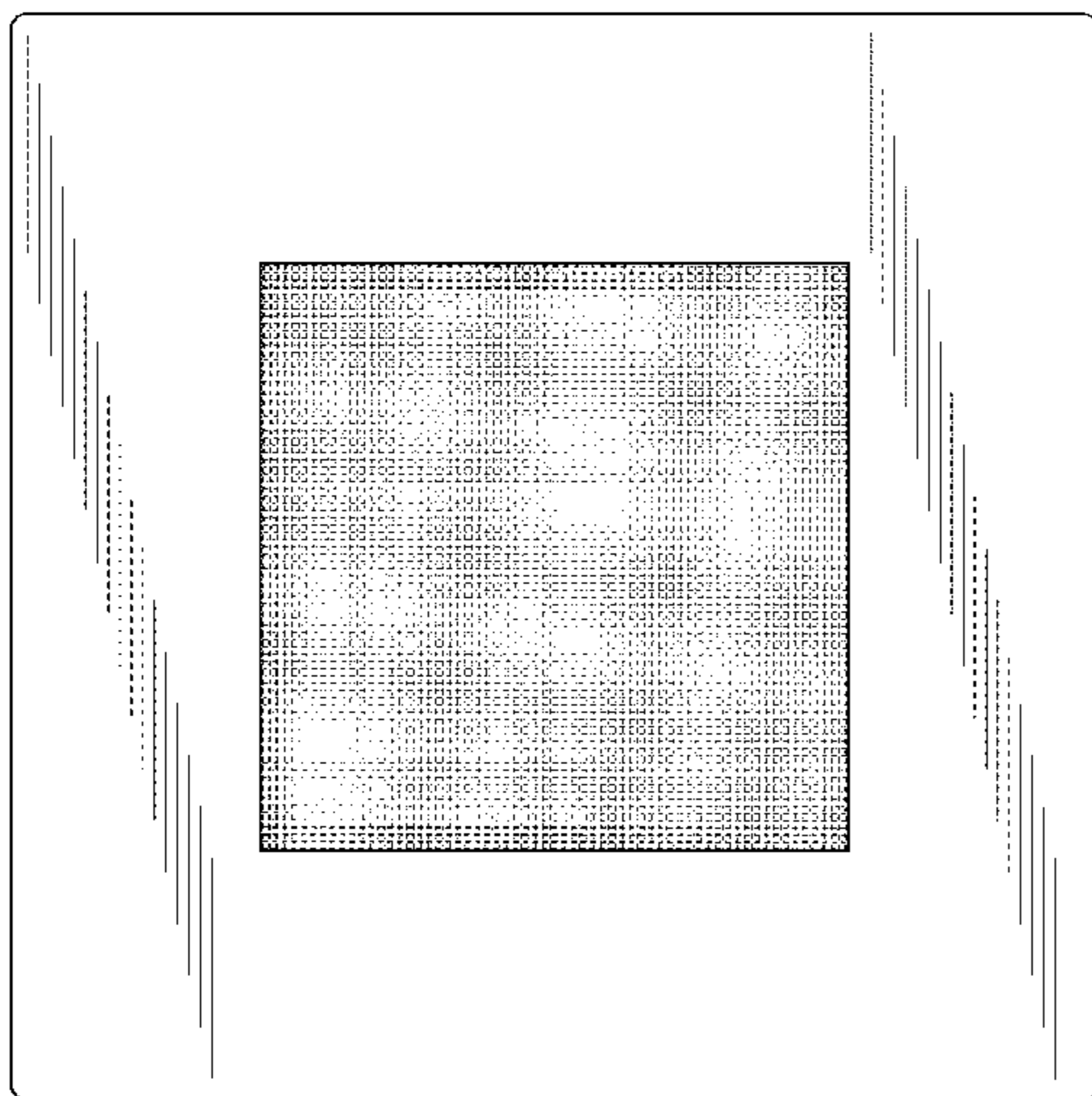
(57) **CLAIM**

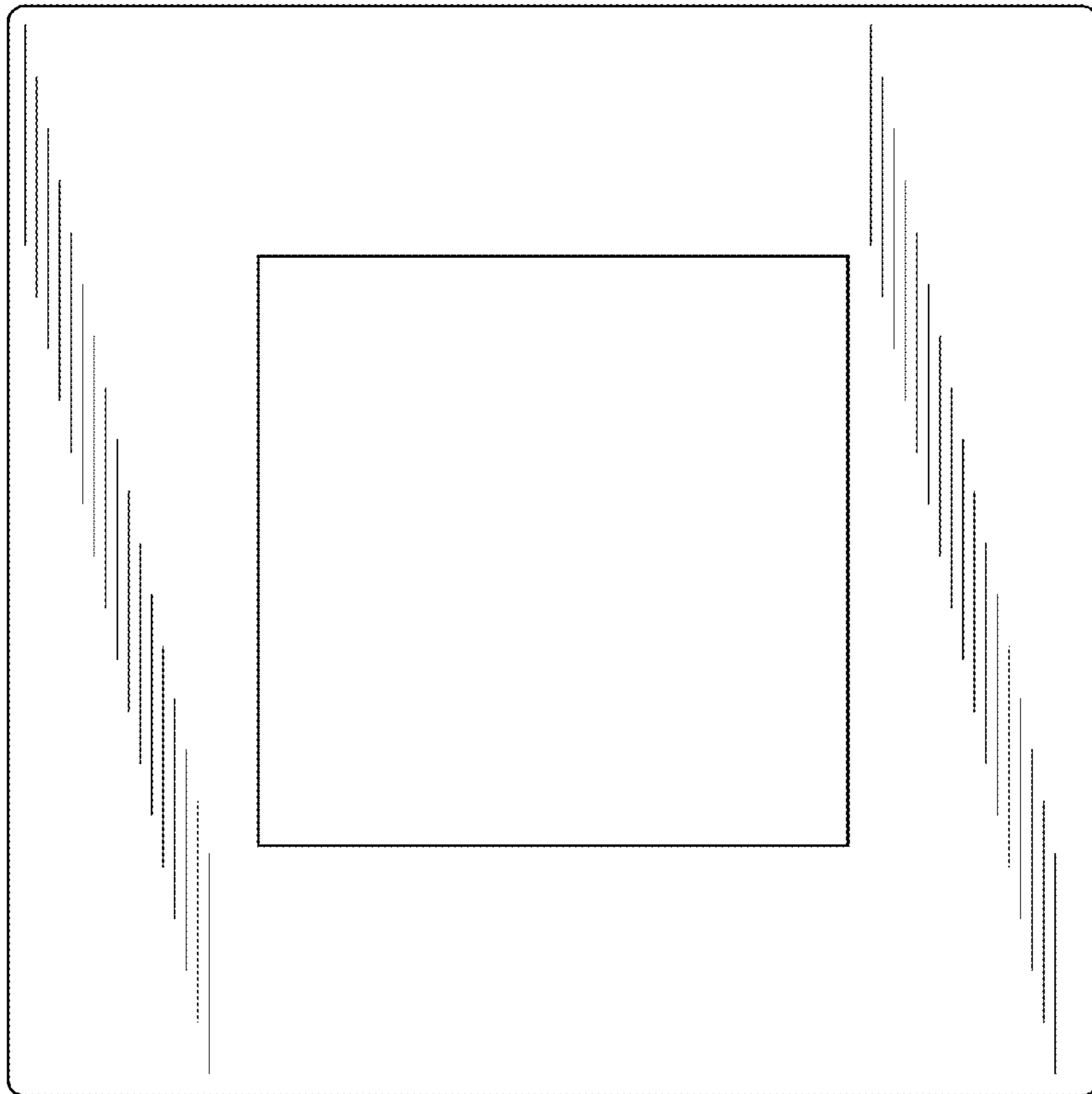
The ornamental design for a lighting fixture, as shown and described.

**DESCRIPTION**

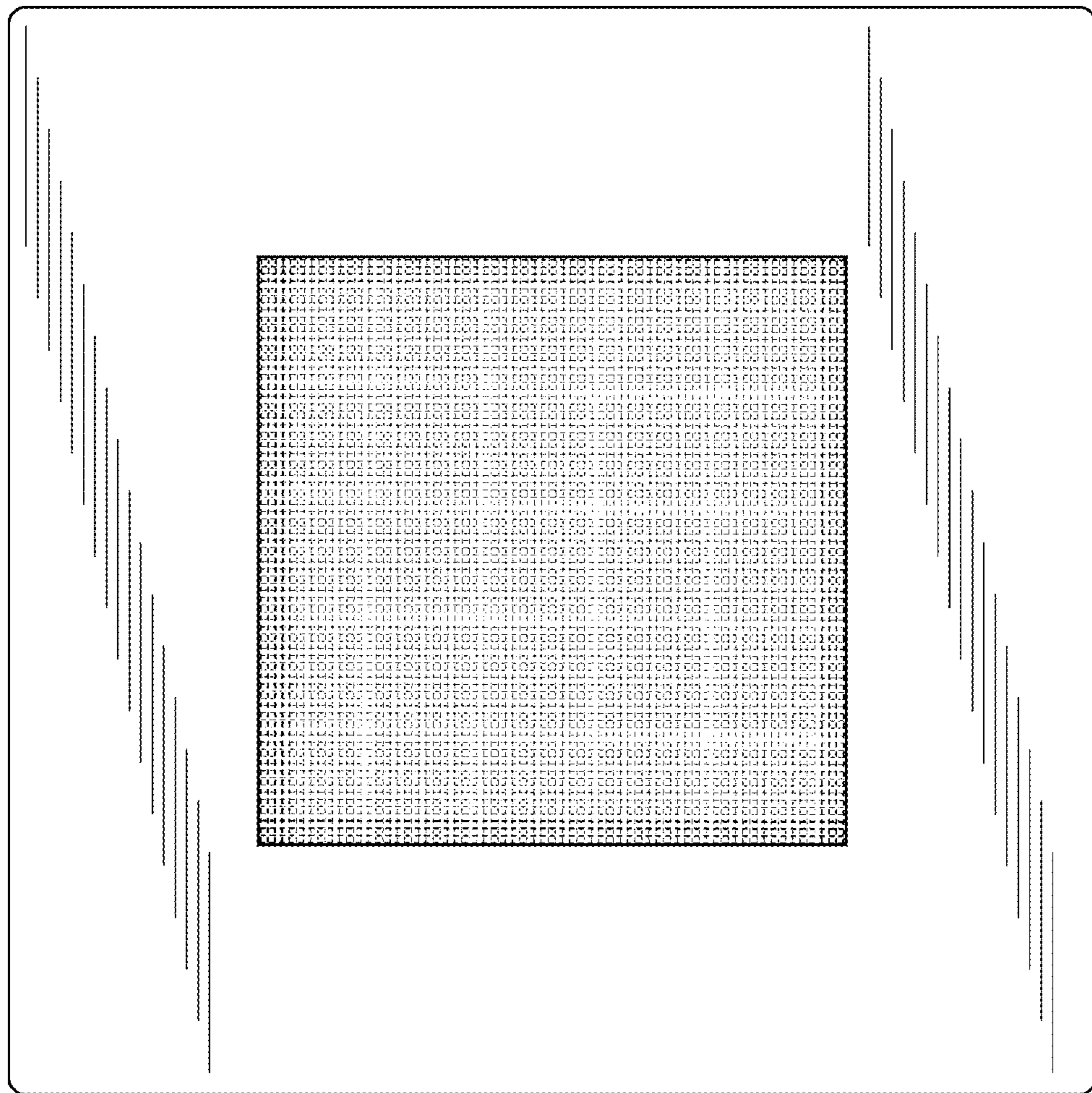
FIG. 1 is a front view of a lighting fixture that has the design. FIG. 2 is a front view with the lighting fixture illuminated, illustrating the ornamental effect. FIG. 3 is a front and side orthogonal view of the lighting fixture. FIG. 4 is a fragmentary front and side orthogonal view showing the lighting fixture in the illuminated condition, with a corner cut away for ease of illustration only; and, FIG. 5 is a back and side view orthogonal view of the lighting fixture. The broken lines in FIG. 5 represent portions on the back of the lighting fixture that form no part of the claimed design.

**1 Claim, 4 Drawing Sheets**

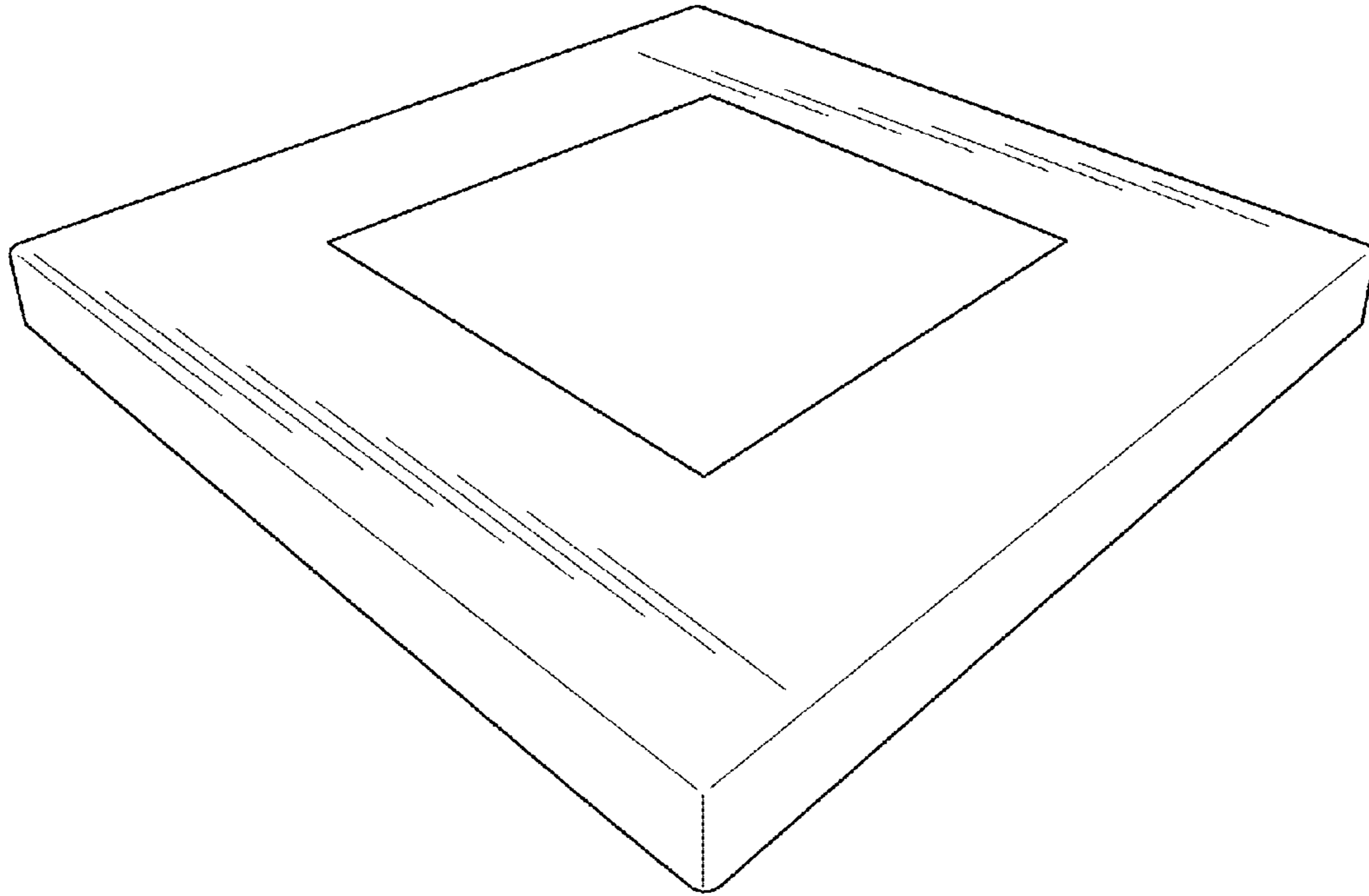




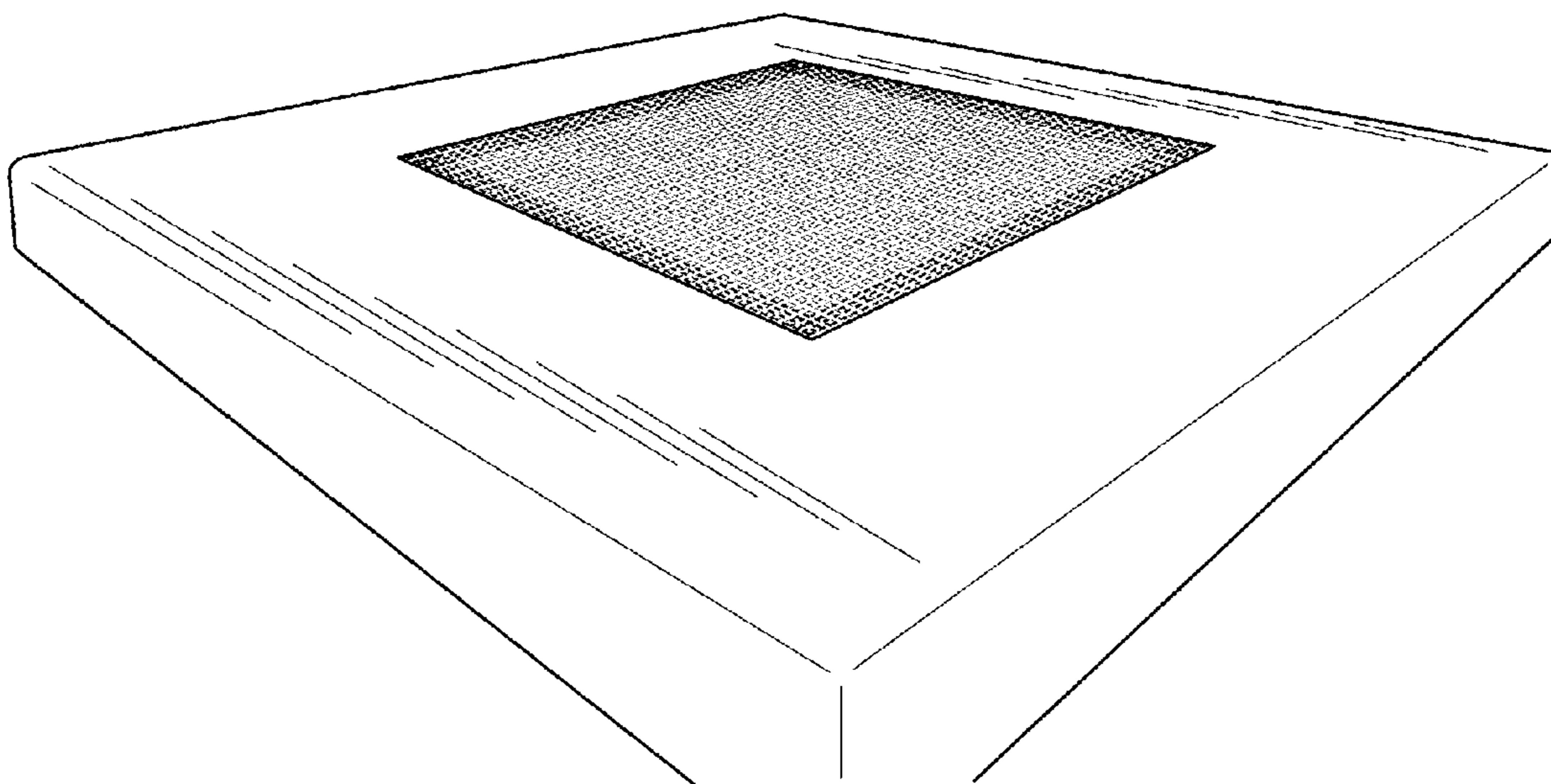
**Fig. 1**



**Fig. 2**

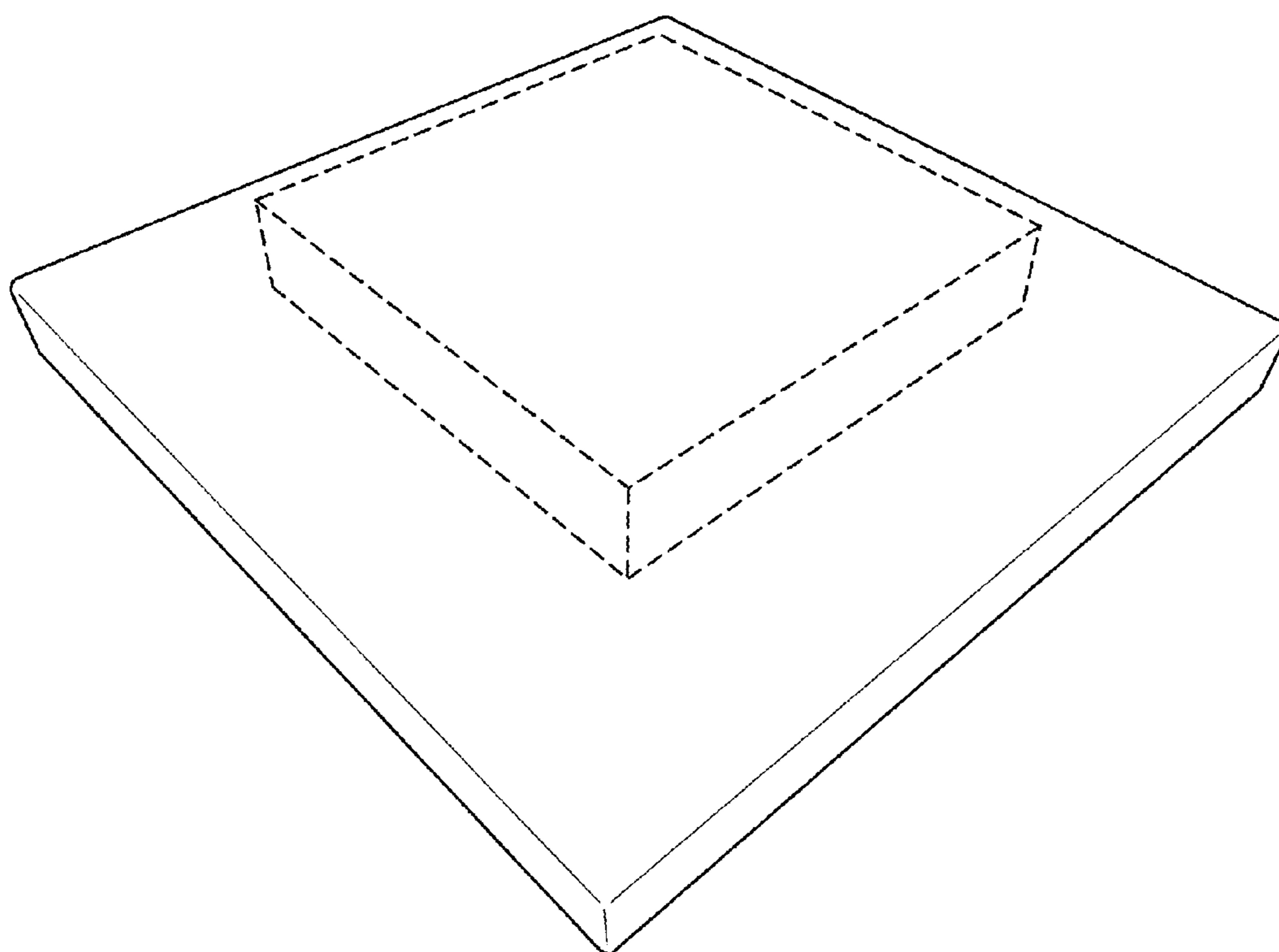


**Fig. 3**



**Fig. 4**





**Fig. 5**