



US00D718481S

(12) **United States Design Patent**
Lee

(10) **Patent No.:** **US D718,481 S**
(45) **Date of Patent:** **** Nov. 25, 2014**

(54) **SEARCHLIGHT**

(71) Applicant: **Wen-Sung Lee**, Taichung (TW)

(72) Inventor: **Wen-Sung Lee**, Taichung (TW)

(**) Term: **14 Years**

(21) Appl. No.: **29/470,188**

(22) Filed: **Oct. 18, 2013**

(51) **LOC (10) Cl.** **26-02**

(52) **U.S. Cl.**
USPC **D26/45**; D26/49

(58) **Field of Classification Search**
USPC D26/44, 45, 37, 40, 41, 46, 49;
362/157, 158, 183, 184, 194–196,
362/200–208, 253

See application file for complete search history.

(56) **References Cited**

U.S. PATENT DOCUMENTS

D518,214 S *	3/2006	Krieger et al.	D26/45
D522,153 S *	5/2006	Krieger et al.	D26/45
D561,923 S *	2/2008	Hsu	D26/45
D565,767 S *	4/2008	Ben-Moshe	D26/45
D567,419 S *	4/2008	Ho	D26/45
D605,796 S *	12/2009	Crawford et al.	D26/45

D655,839 S *	3/2012	Yuen	D26/45
D673,706 S *	1/2013	Inskeep	D26/45
D673,707 S *	1/2013	Inskeep	D26/45
D683,490 S *	5/2013	Lee	D26/45
D700,384 S *	2/2014	Lee	D26/45

* cited by examiner

Primary Examiner — Ian Simmons

Assistant Examiner — Carissa C Fitts

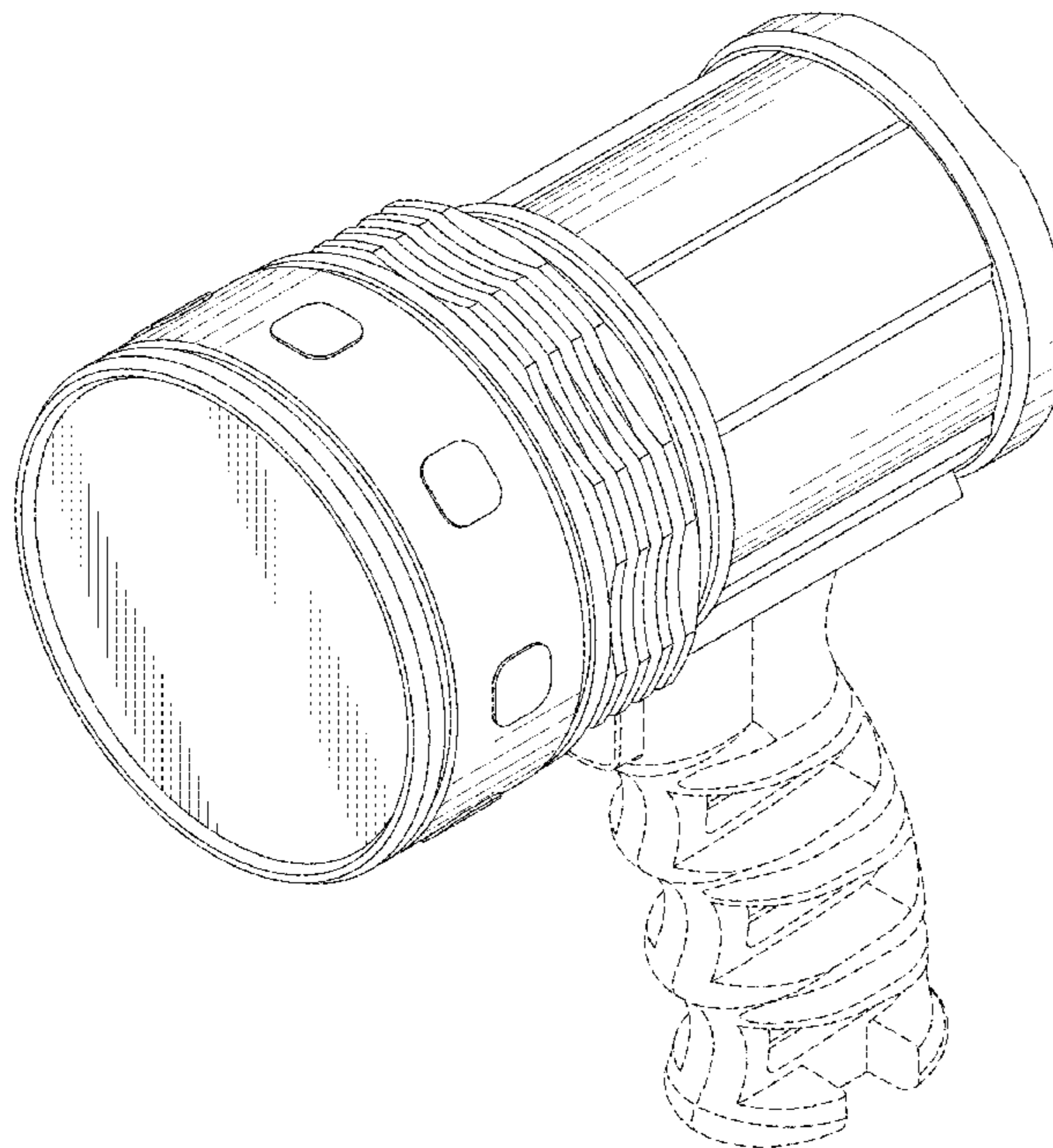
(57) **CLAIM**

The ornamental design for a searchlight, as shown and described.

DESCRIPTION

FIG. 1 is a perspective view of a searchlight showing my new design;
FIG. 2 is a front elevational view thereof;
FIG. 3 is a rear elevational view thereof;
FIG. 4 is a left side view thereof;
FIG. 5 is a right side view thereof;
FIG. 6 is a top plan view thereof;
FIG. 7 is a bottom plan view thereof; and,
FIG. 8 is another perspective view thereof.
The broken lines shown in the drawings illustrate a grip portion that forms no part of claimed design.

1 Claim, 8 Drawing Sheets



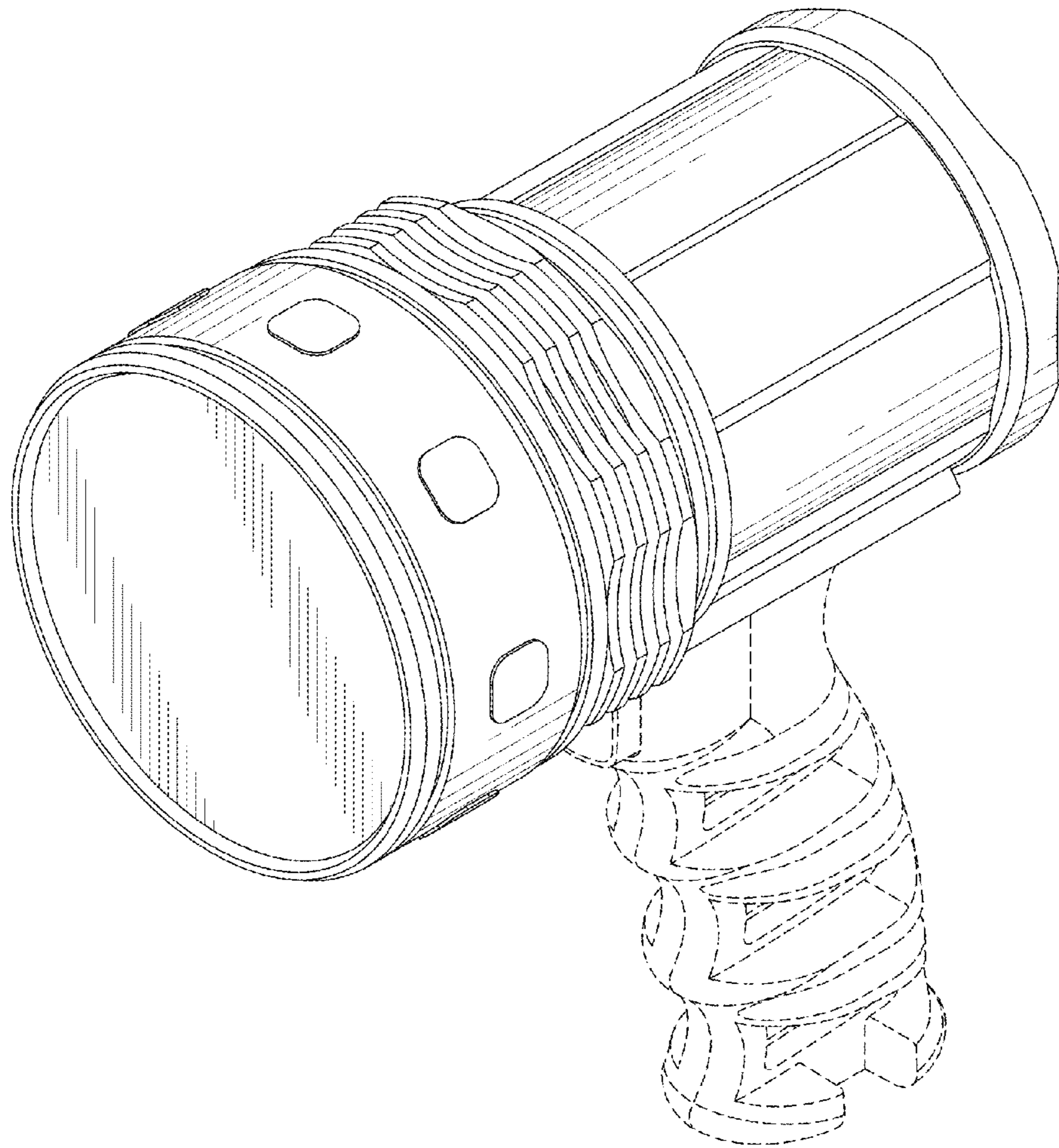


FIG.1

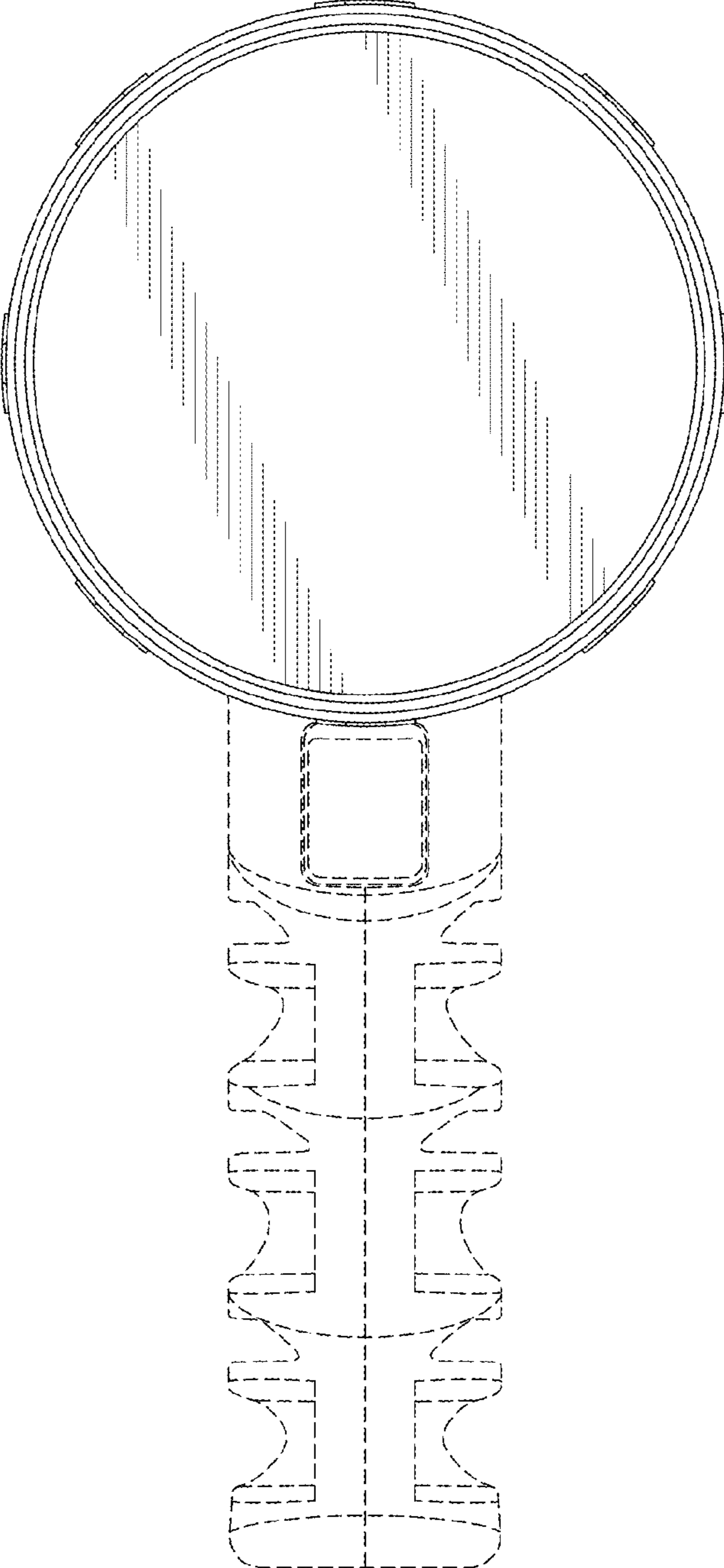


FIG.2

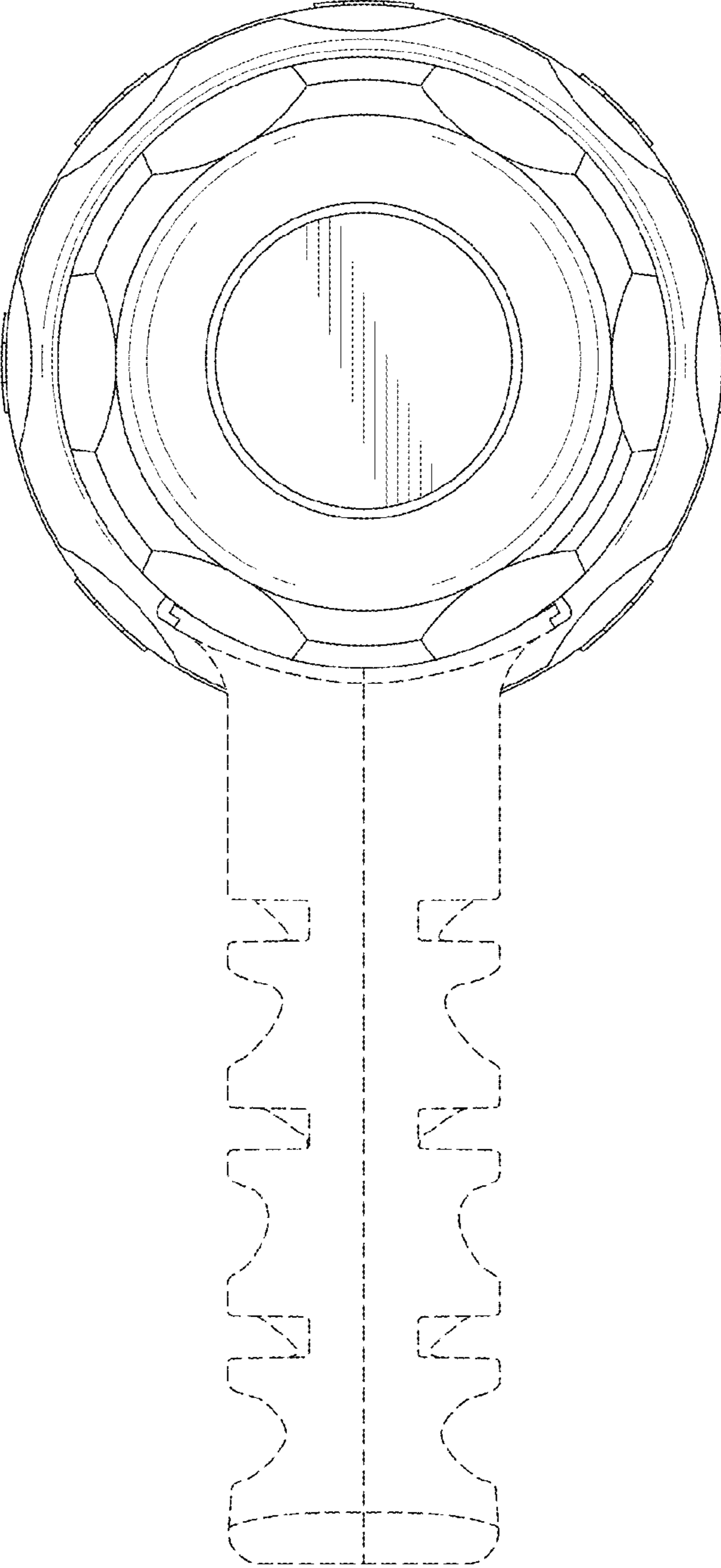


FIG.3

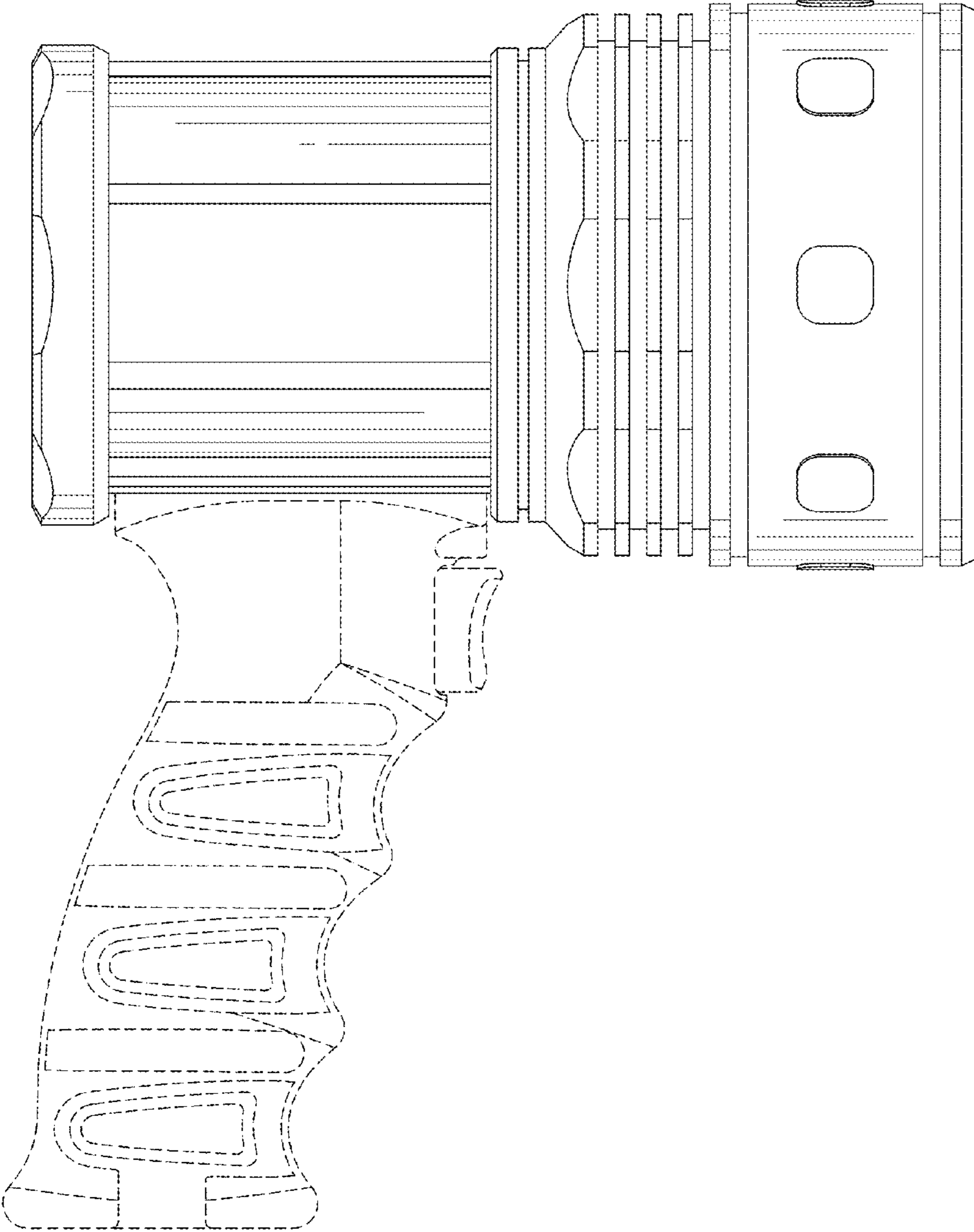


FIG.4

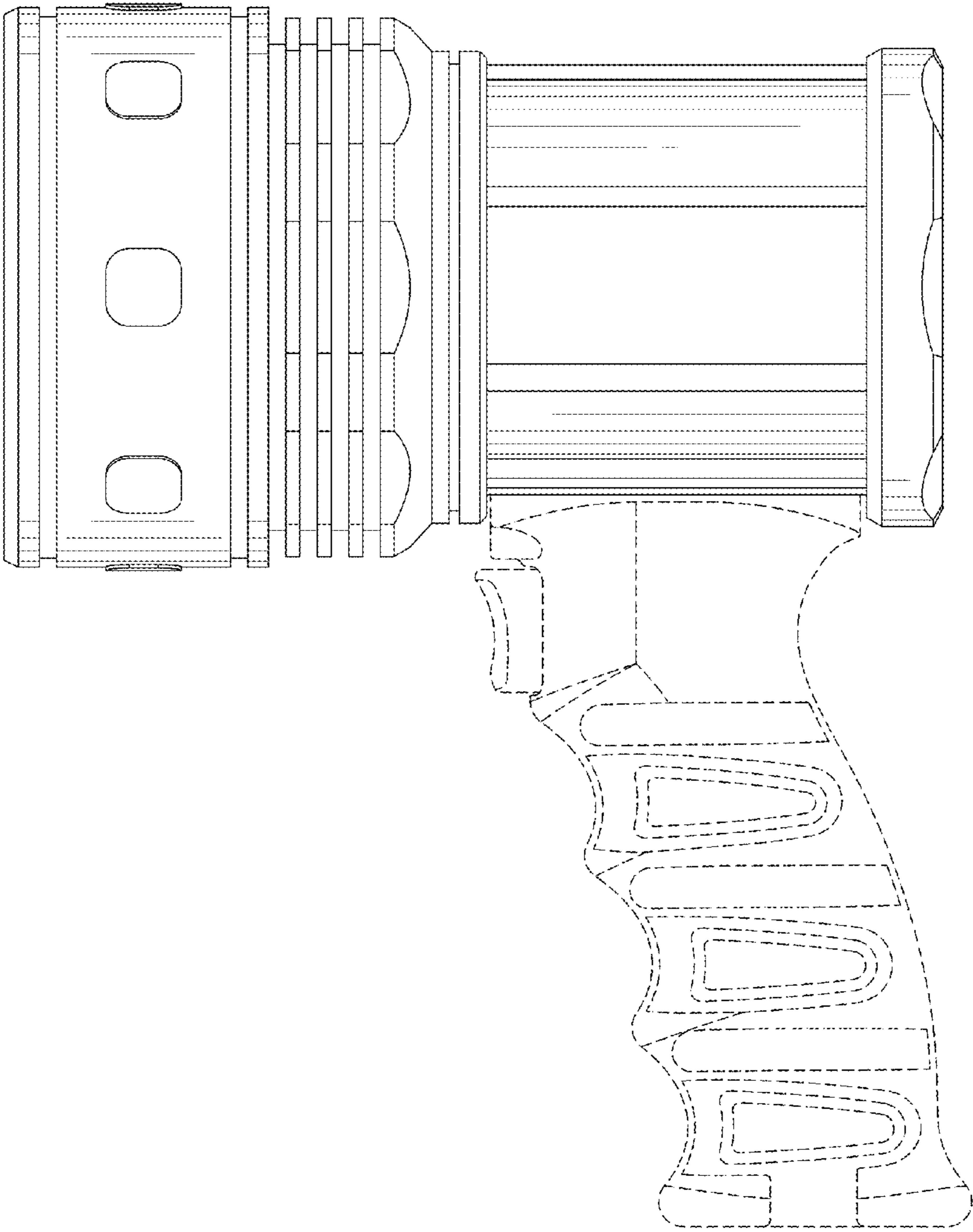


FIG.5

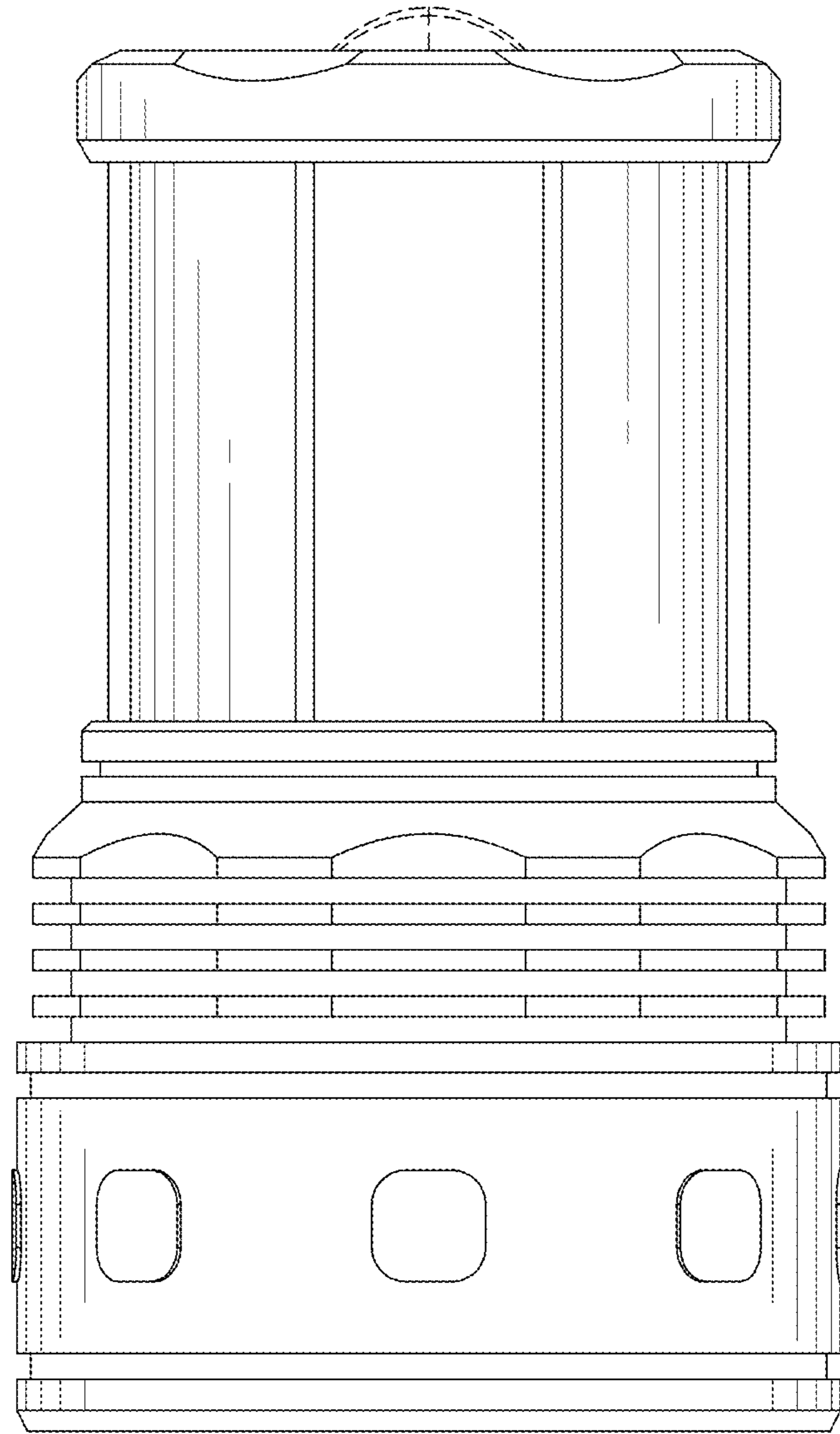


FIG.6

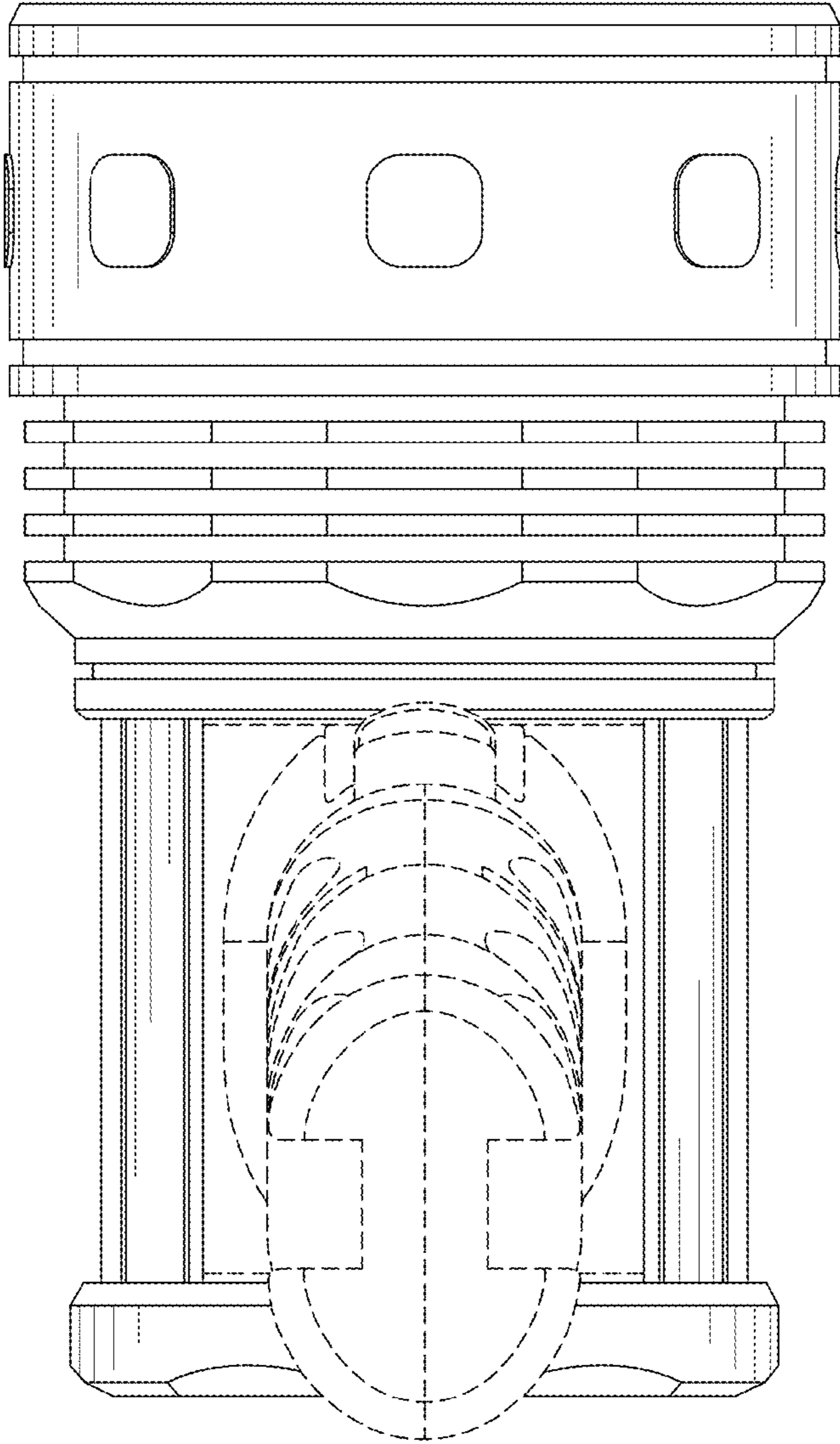


FIG. 7

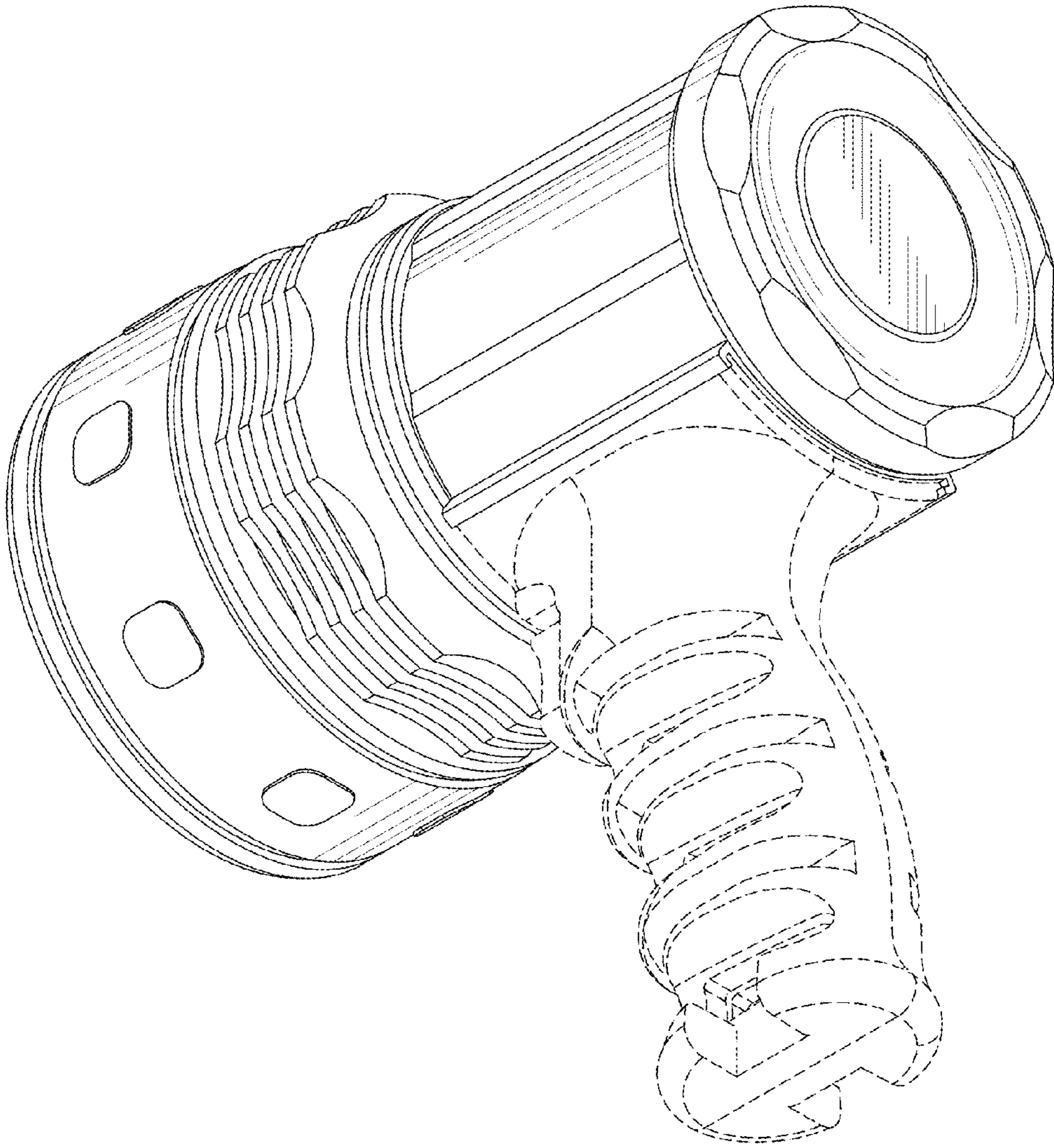


FIG.8