



US00D718478S

(12) **United States Design Patent**  
**Adams**

(10) **Patent No.:** **US D718,478 S**

(45) **Date of Patent:** **\*\* Nov. 25, 2014**

(54) **VEHICLE LIGHT FIXTURE**

(71) Applicant: **JST Performance, Inc.**, Mesa, AZ (US)

(72) Inventor: **Stephen P Adams**, Mesa, AZ (US)

(73) Assignee: **JST Performance, Inc.**, Gilbert, AZ (US)

(\*\*) Term: **14 Years**

(21) Appl. No.: **29/446,089**

(22) Filed: **Feb. 20, 2013**

(51) **LOC (10) Cl.** ..... **26-06**

(52) **U.S. Cl.**  
USPC ..... **D26/28**

(58) **Field of Classification Search**  
USPC ..... D26/28-36; 362/61-80, 459-468,  
362/475-478, 485-487  
See application file for complete search history.

(56) **References Cited**

**U.S. PATENT DOCUMENTS**

D490,172 S \* 5/2004 Yamamoto ..... D26/28  
D554,279 S \* 10/2007 Jeffries ..... D26/28

D564,683 S \* 3/2008 Roach et al. .... D26/28  
D570,009 S \* 5/2008 Kani et al. .... D26/28  
D574,978 S \* 8/2008 Hyodo et al. .... D26/28

\* cited by examiner

*Primary Examiner* — Marcus Jackson

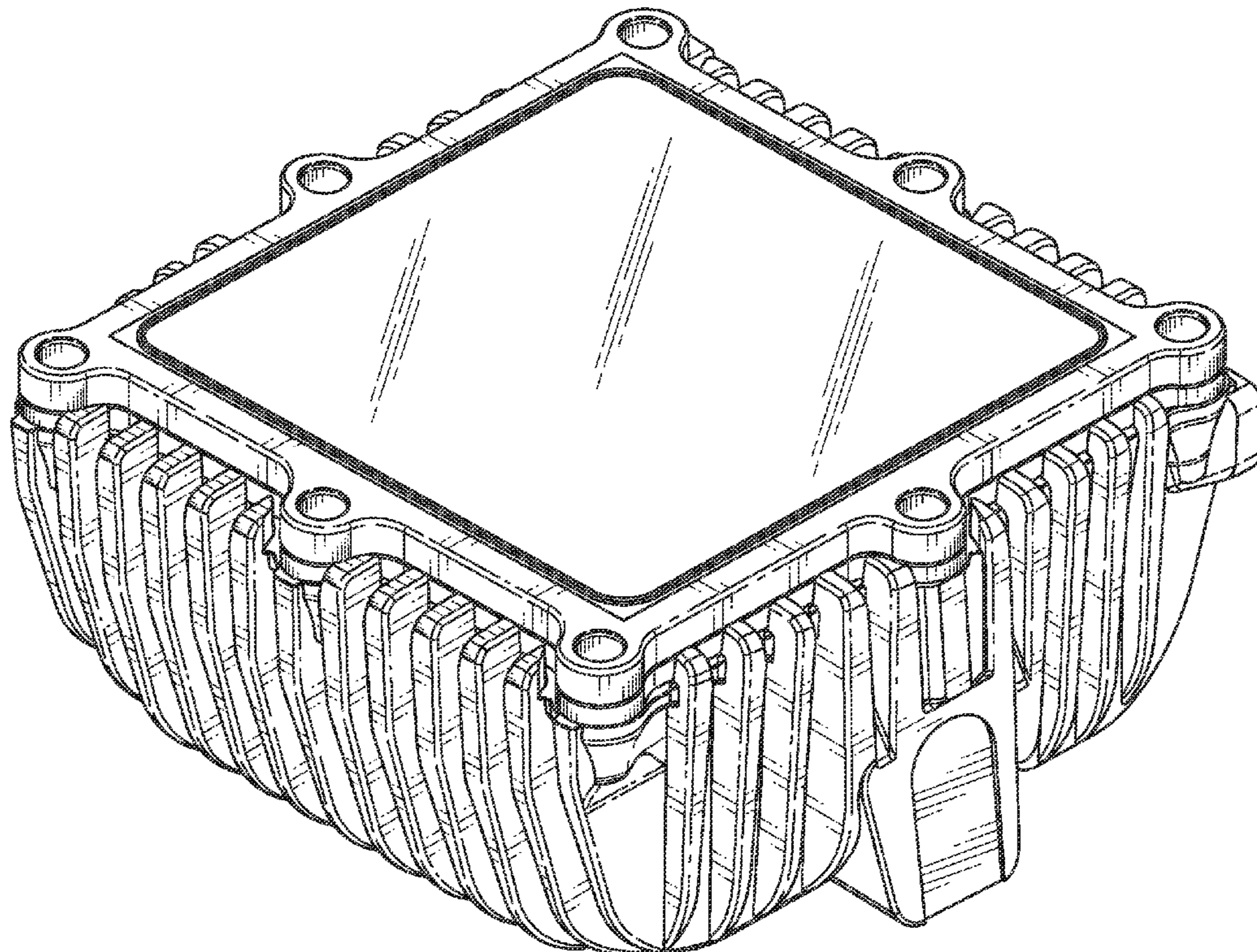
(57) **CLAIM**

The ornamental design for a vehicle light fixture, as shown and described.

**DESCRIPTION**

FIG. 1 is a front perspective view of a vehicle light fixture embodying the new design;  
FIG. 2 is a top view;  
FIG. 3 is a bottom view;  
FIG. 4 is a right side view;  
FIG. 5 is a left side view;  
FIG. 6 is a rear view;  
FIG. 7 is a front view;  
FIG. 8 is a top-front-left perspective view;  
FIG. 9 is a bottom-right-perspective view; and,  
FIG. 10 is the same view in FIG. 8 with the light fixture rotated 180 degrees in a plane parallel to the light fixture transparent lens.

**1 Claim, 8 Drawing Sheets**



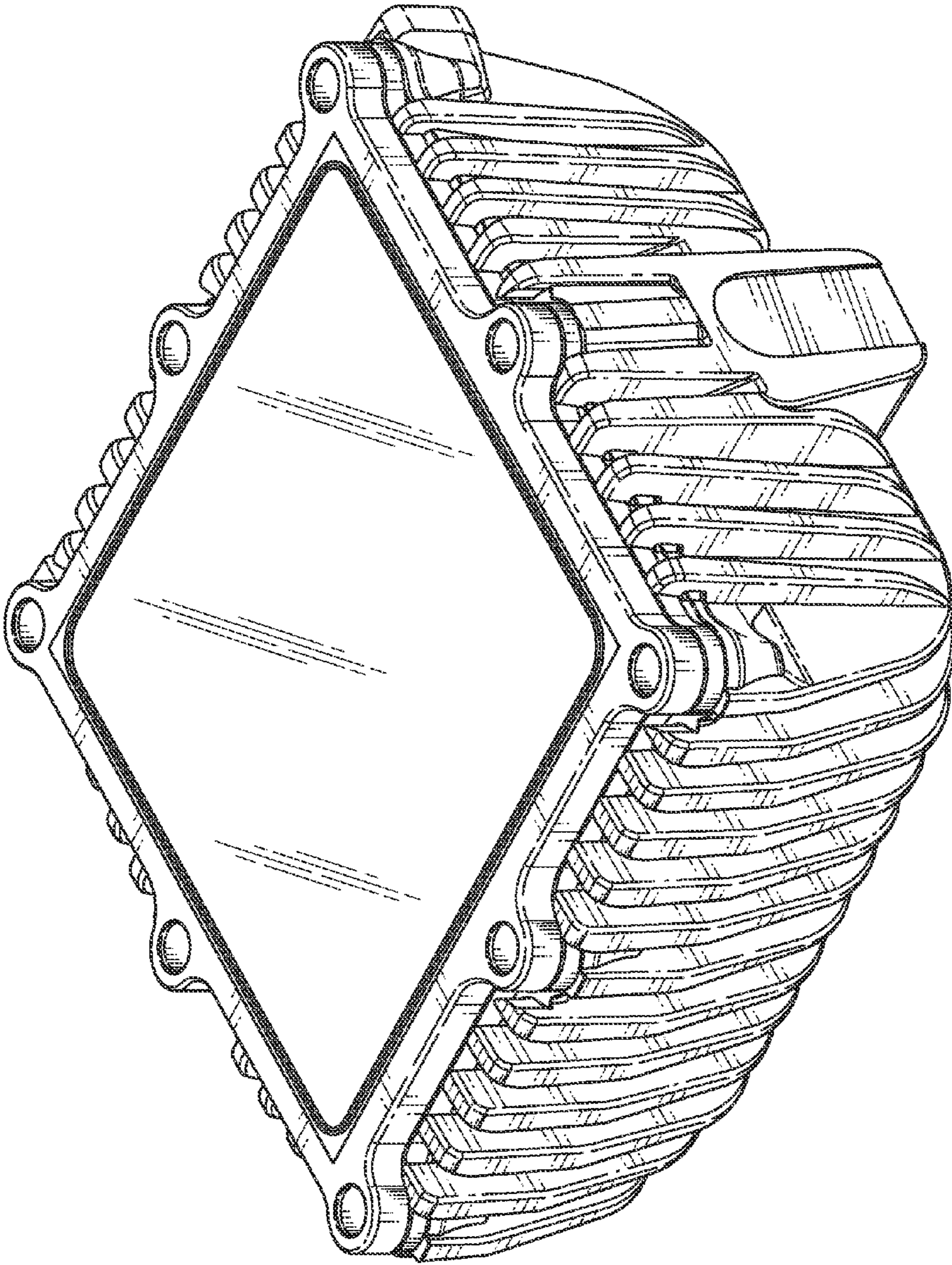


FIG. 1

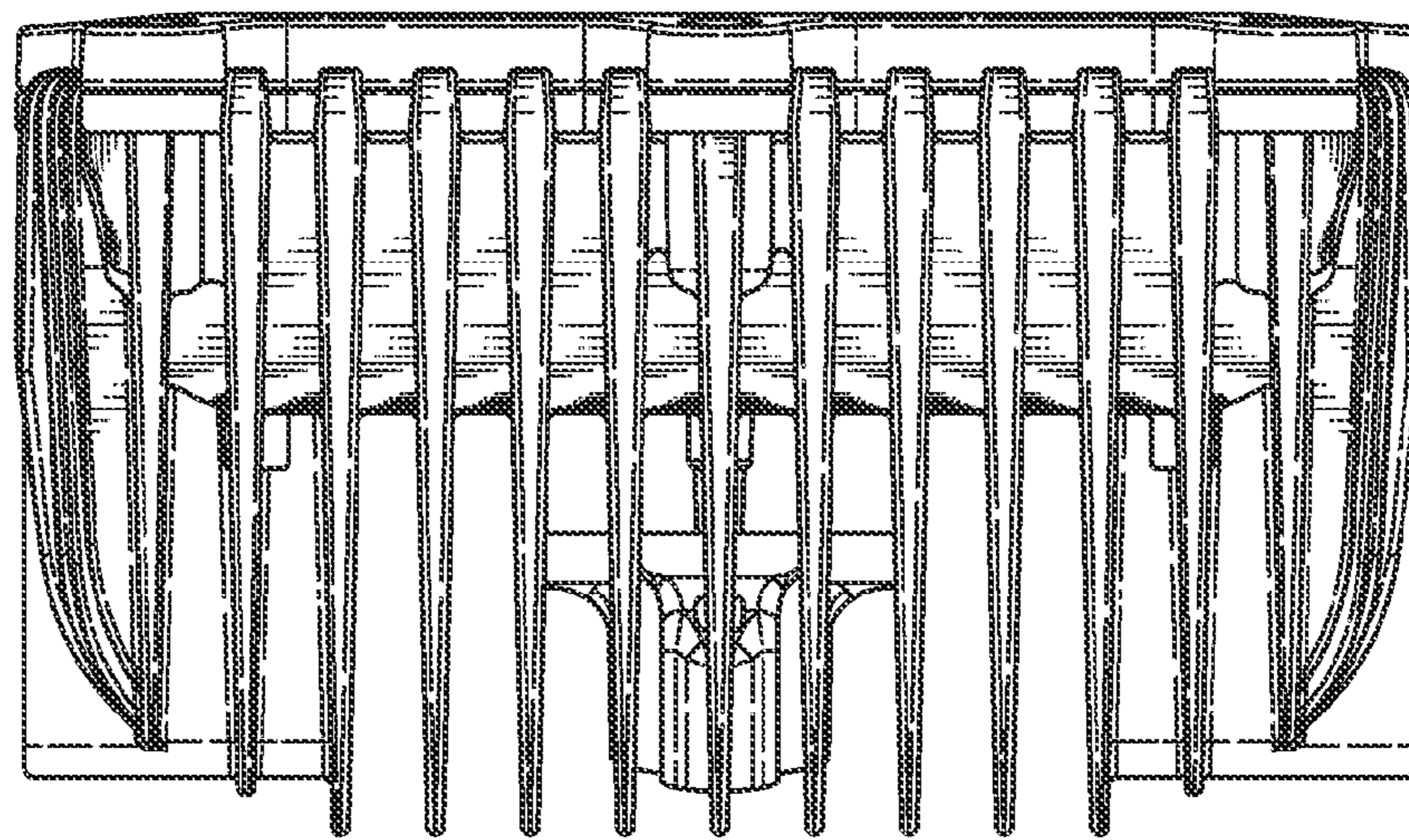


FIG. 2

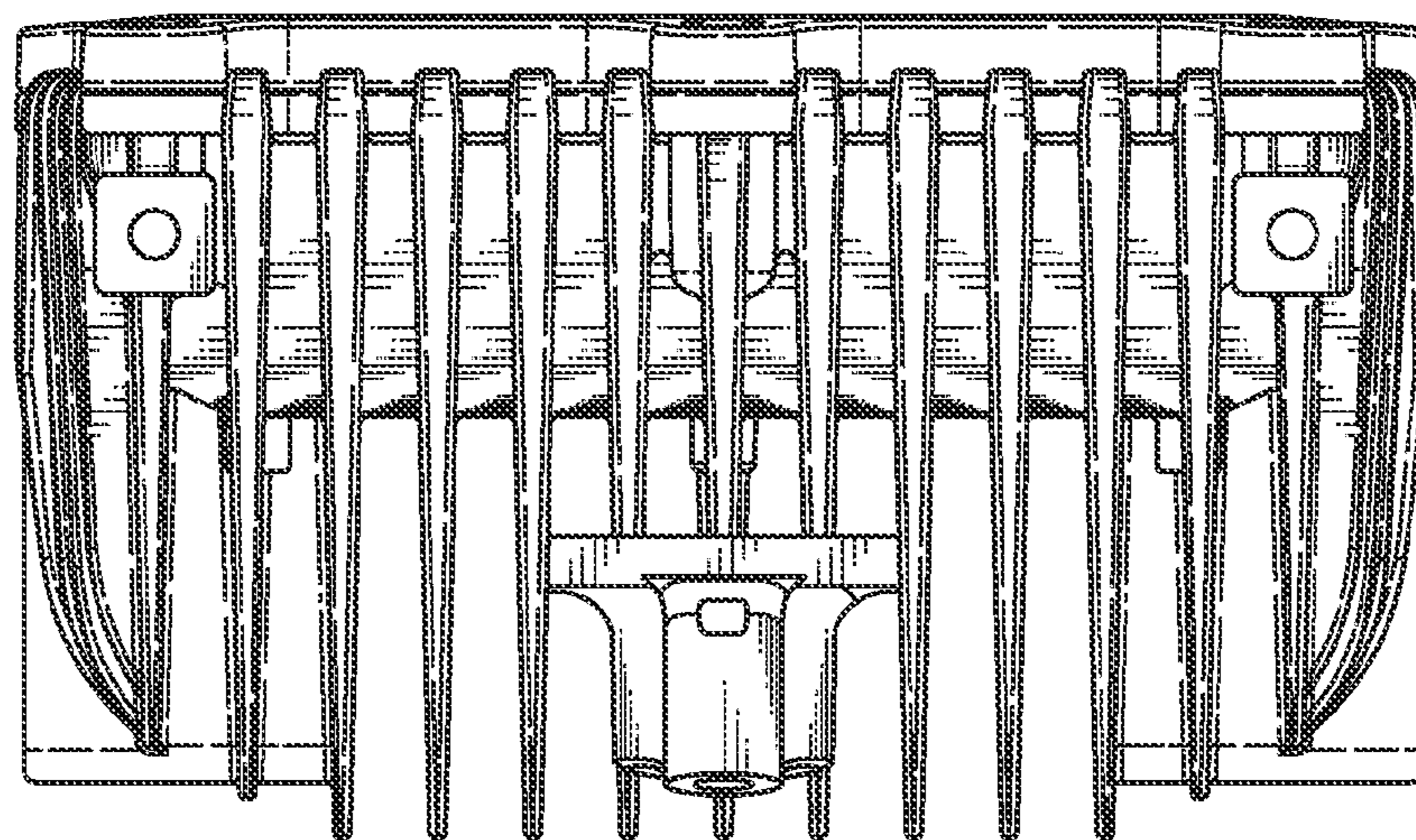


FIG. 3

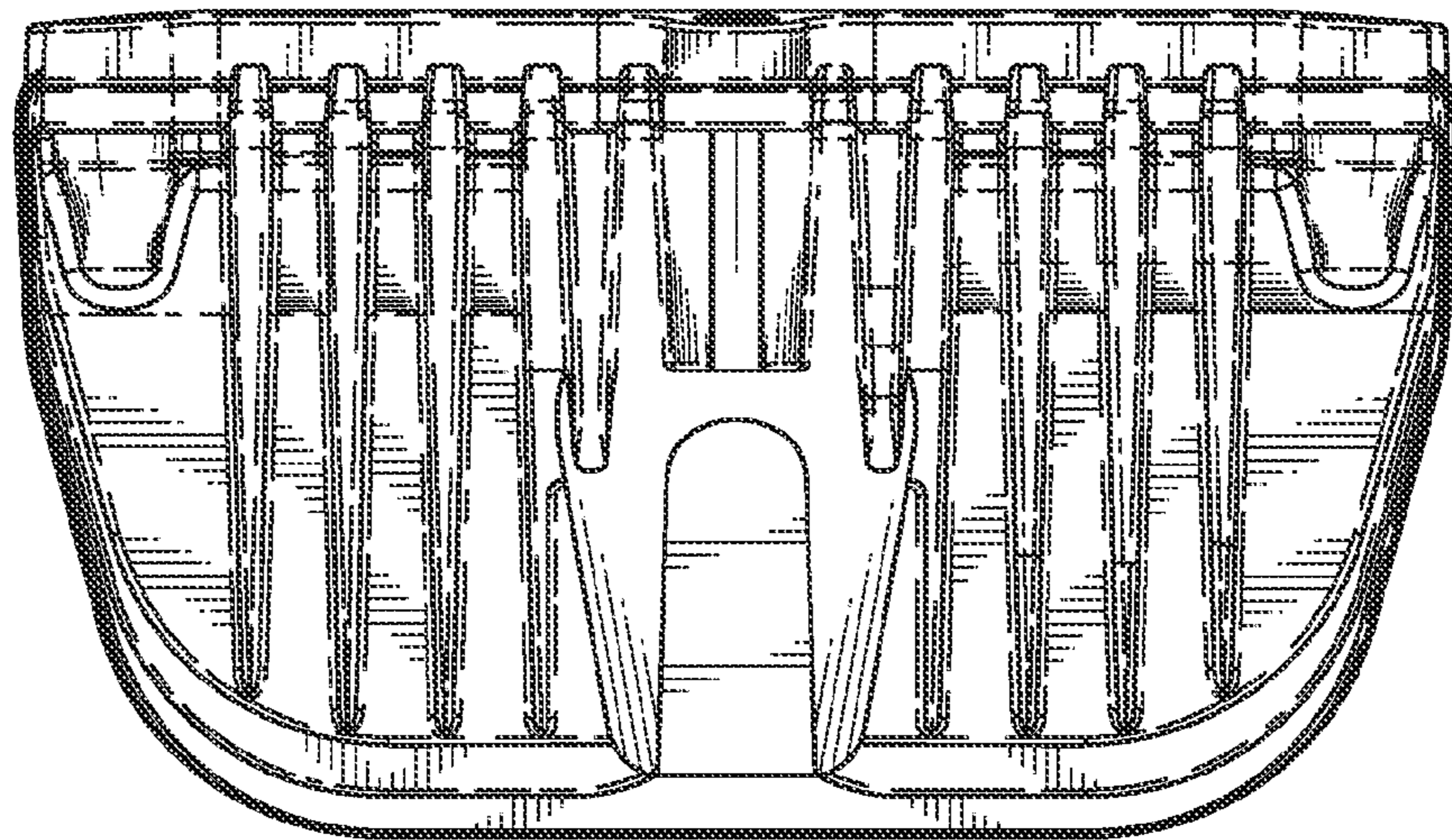


FIG. 4

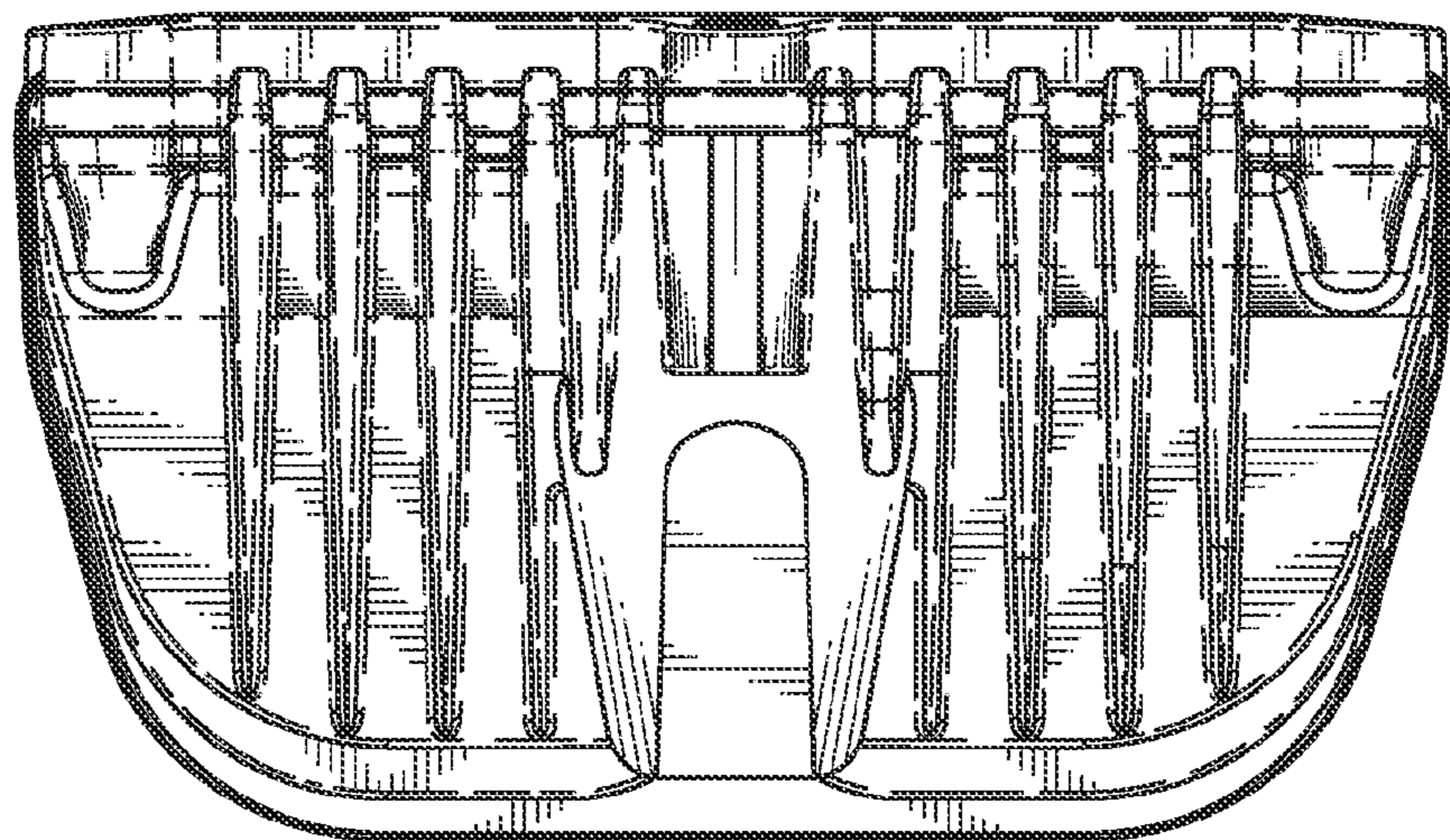


FIG. 5

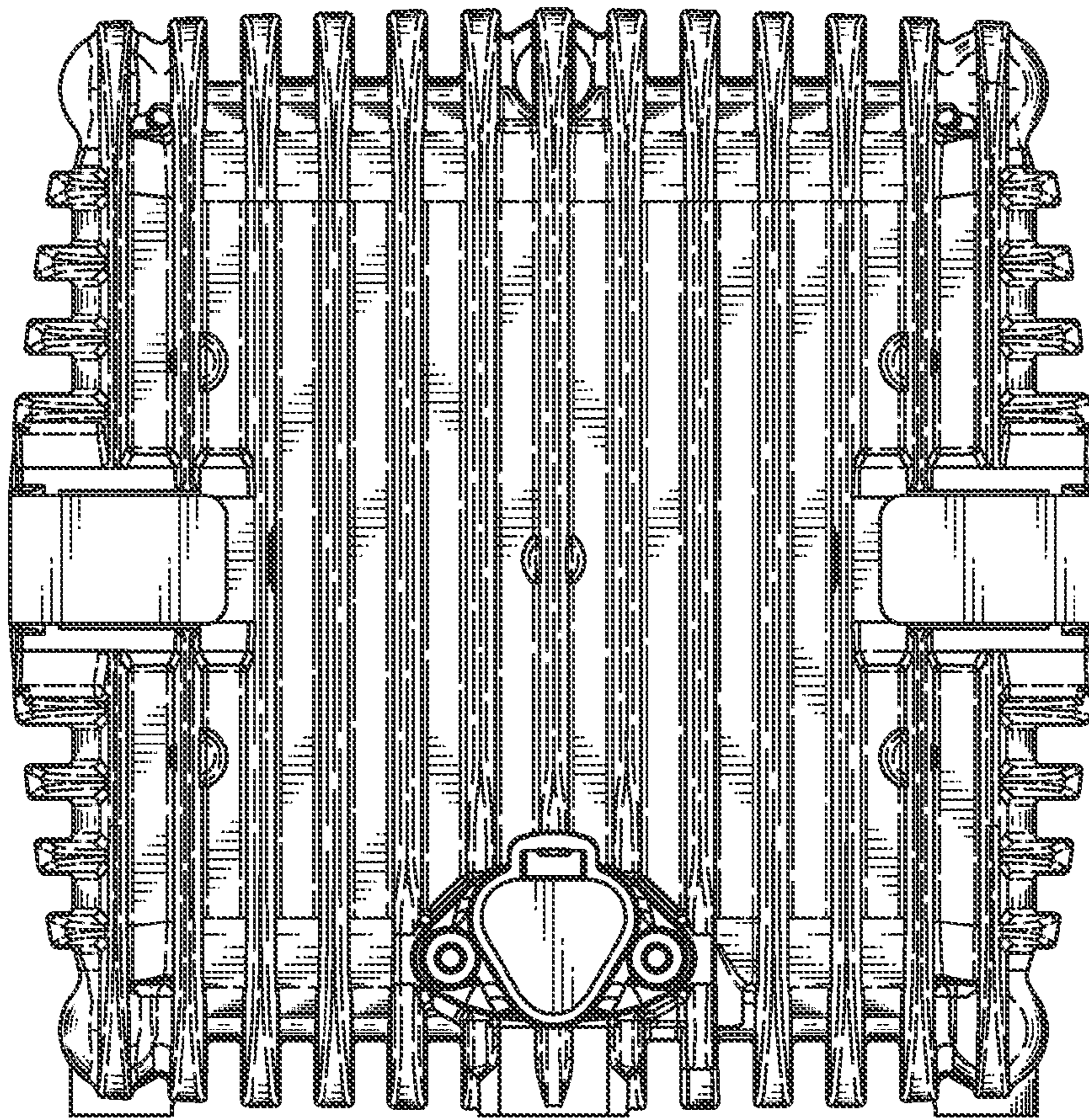


FIG. 6

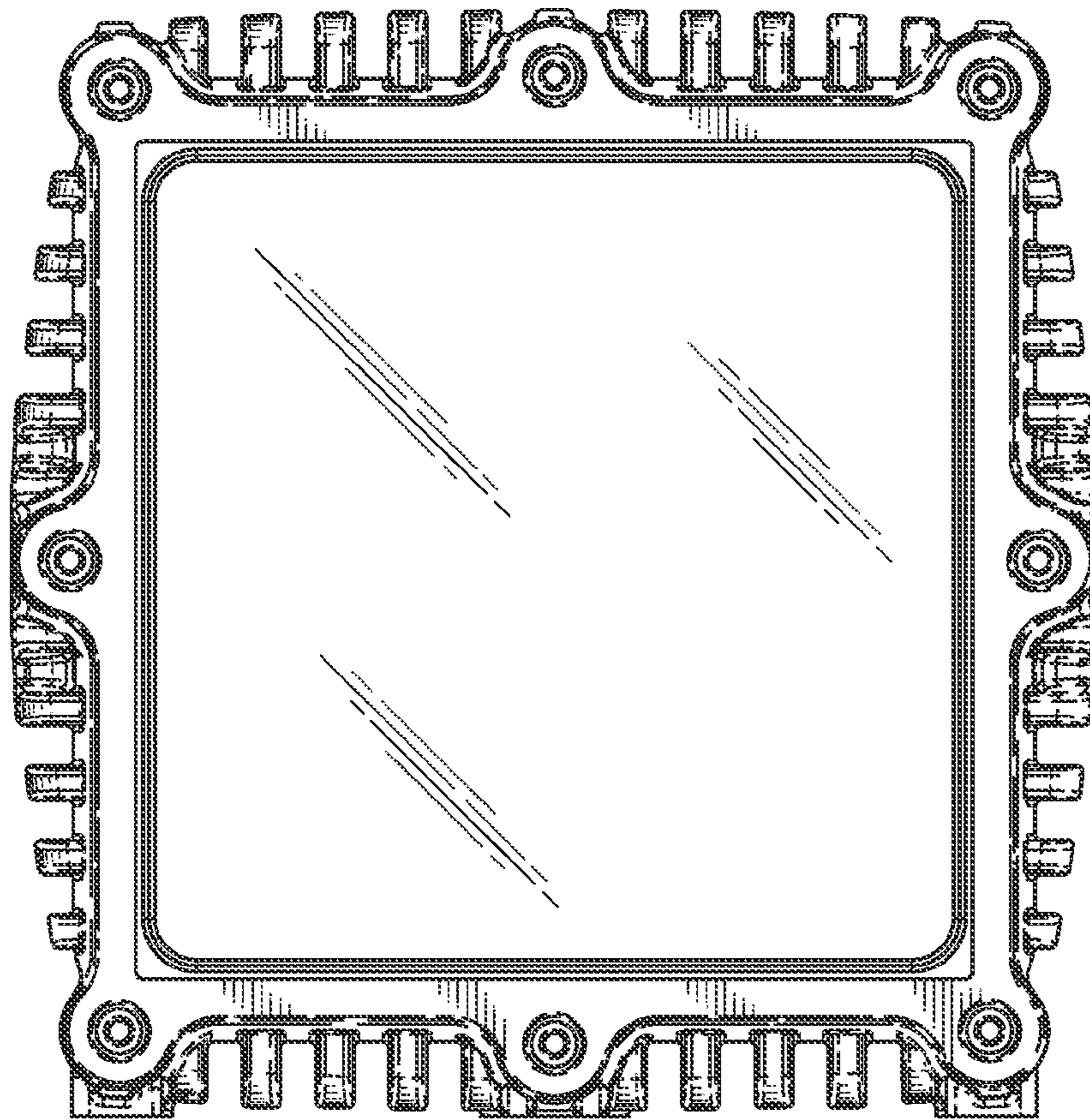


FIG. 7

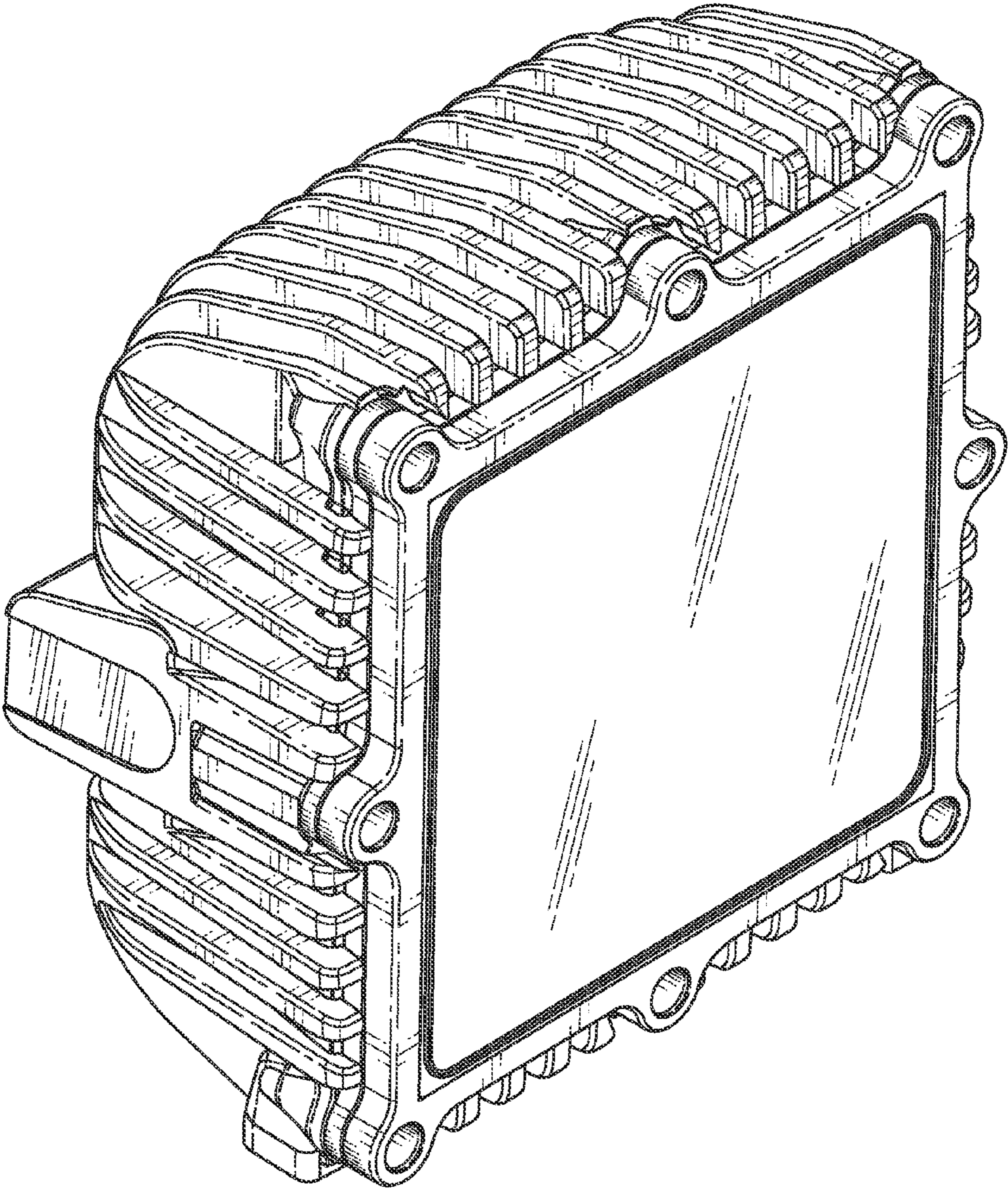


FIG. 8

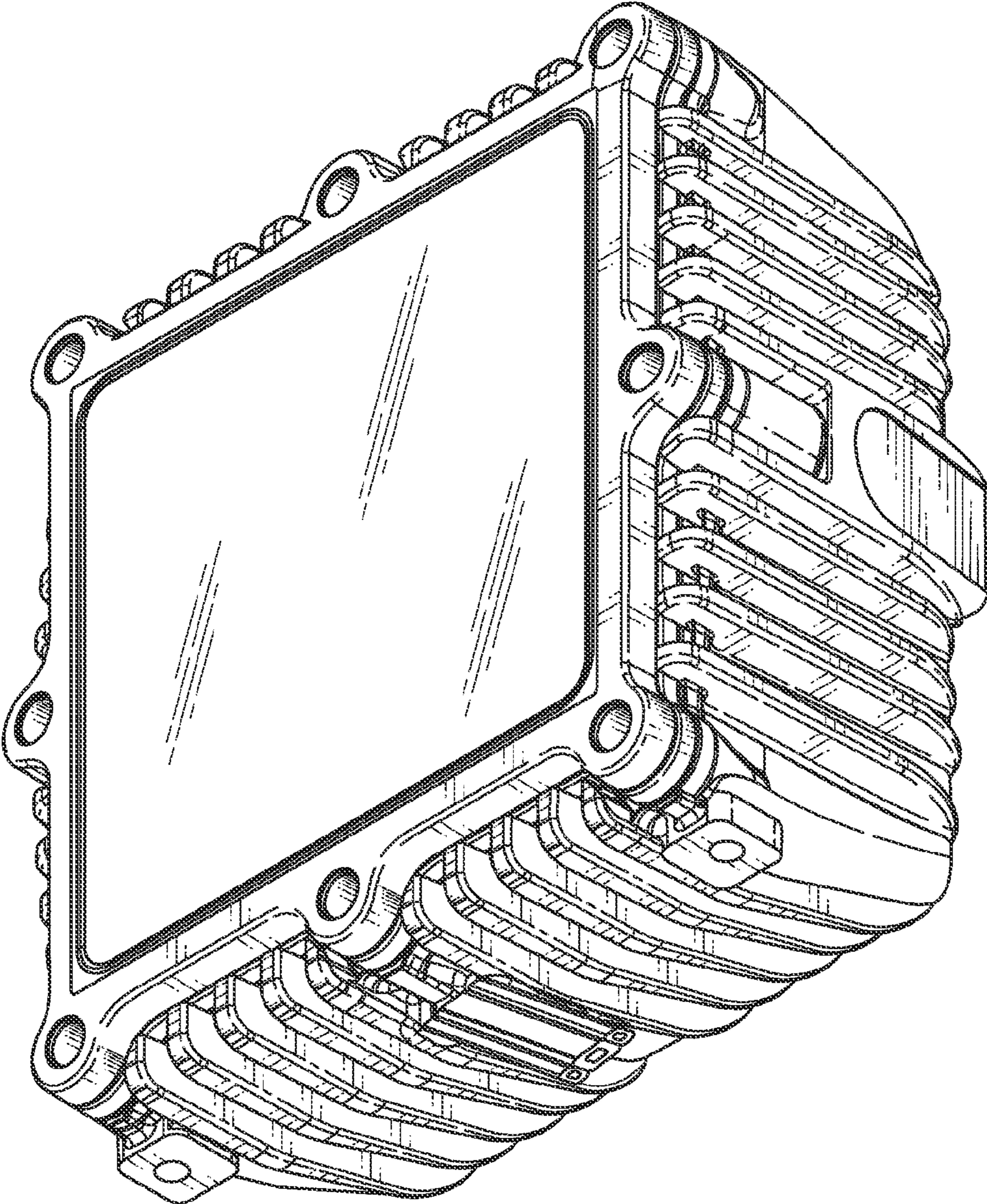


FIG. 9



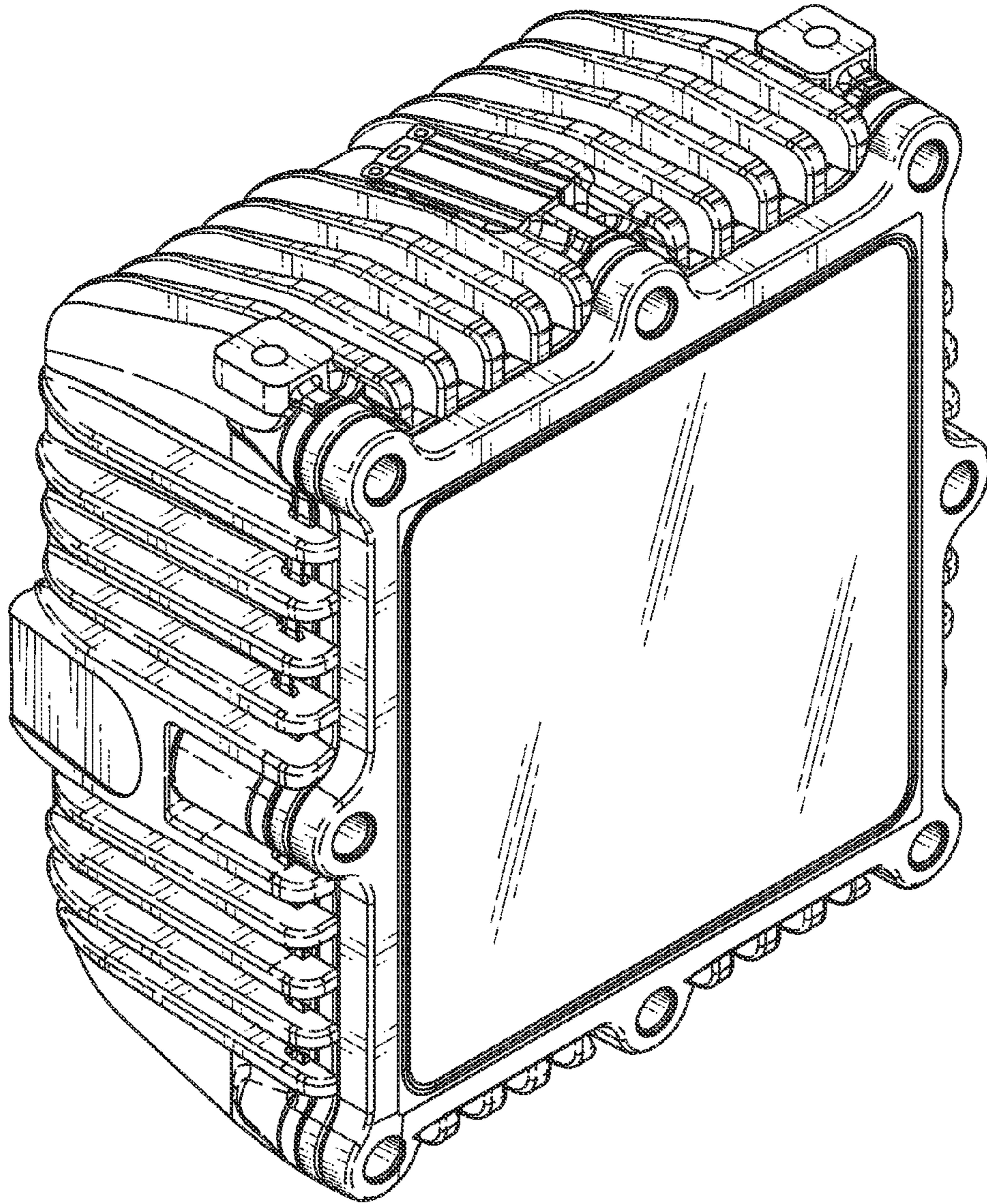


FIG. 10