



US00D718477S

(12) **United States Design Patent**  
**Huang**

(10) **Patent No.:** **US D718,477 S**

(45) **Date of Patent:** **\*\* Nov. 25, 2014**

(54) **ILLUMINATION SENSOR LAMP**

(56) **References Cited**

(71) Applicant: **Everspring Industry Co., Ltd.**, New Taipei (TW)

U.S. PATENT DOCUMENTS

D334,242 S \* 3/1993 Imamura et al. .... D26/1  
D464,744 S \* 10/2002 Kato et al. .... D26/1  
D517,227 S \* 3/2006 Egawa et al. .... D26/1

(72) Inventor: **Wei Chung Huang**, New Taipei (TW)

\* cited by examiner

(73) Assignee: **Everspring Industry Co., Ltd.**, New Taipei (TW)

*Primary Examiner* — Marcus Jackson

(74) *Attorney, Agent, or Firm* — Muncy, Geissler, Olds & Lowe, P.C.

(\*\*) Term: **14 Years**

(57) **CLAIM**

The ornamental design for “illumination sensor lamp,” as shown and described.

(21) Appl. No.: **29/440,531**

**DESCRIPTION**

(22) Filed: **Dec. 21, 2012**

FIG. 1 is a perspective view of “illumination sensor lamp” showing my new design thereof;  
FIG. 2 shows that a right side view thereof;  
FIG. 3 is a top view thereof;  
FIG. 4 is a front side elevation view thereof;  
FIG. 5 is a bottom plan view thereof;  
FIG. 6 is a left side elevation view thereof;  
FIG. 7 is a rear perspective view hereof; and,  
FIG. 8 is another perspective view thereof.

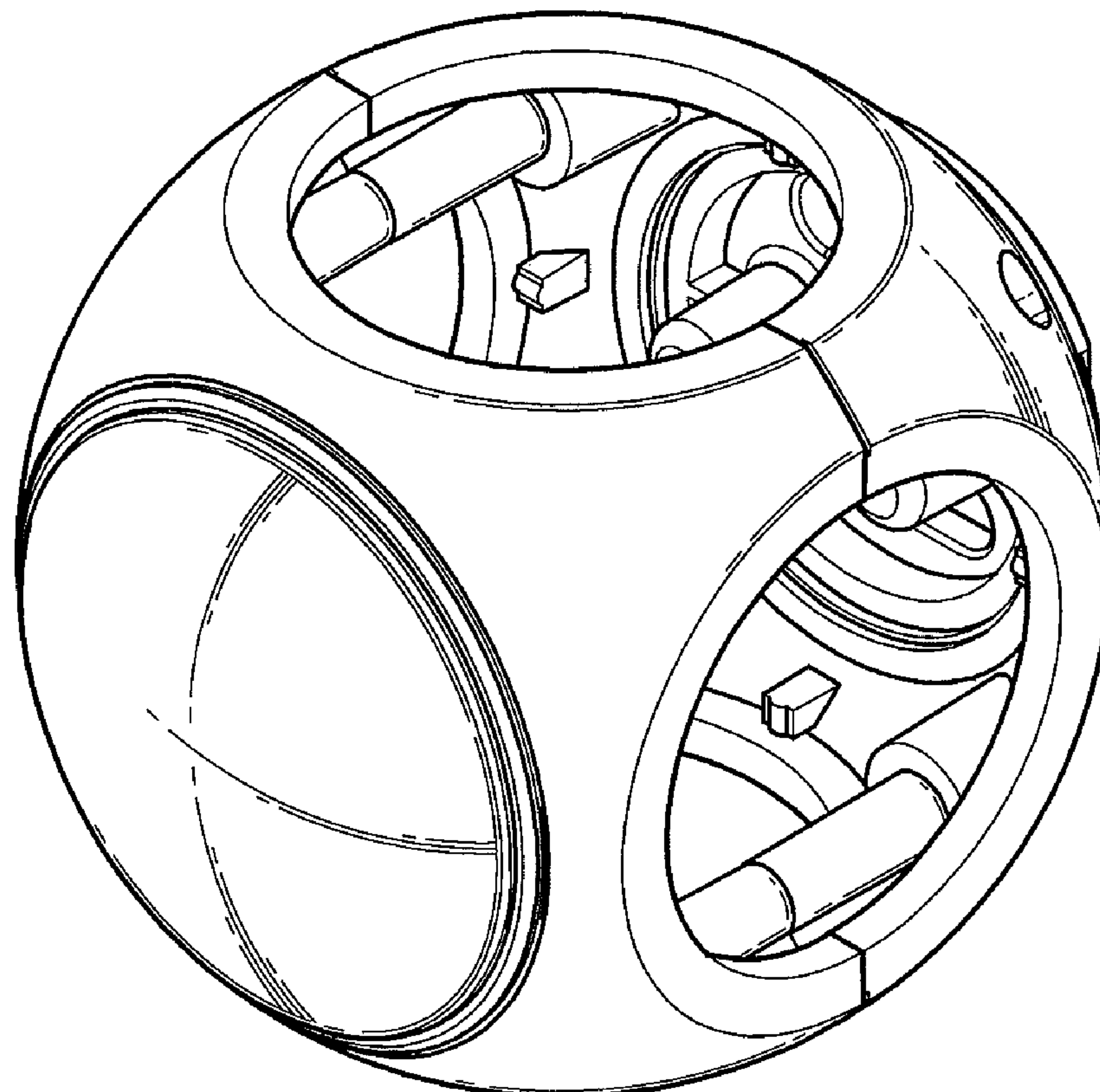
(51) **LOC (10) Cl.** ..... **26-04**

(52) **U.S. Cl.**  
USPC ..... **D26/1**

(58) **Field of Classification Search**  
USPC ..... D26/1-4; 362/183-208; 313/313, 315,  
313/316, 317, 318, 493

See application file for complete search history.

**1 Claim, 5 Drawing Sheets**



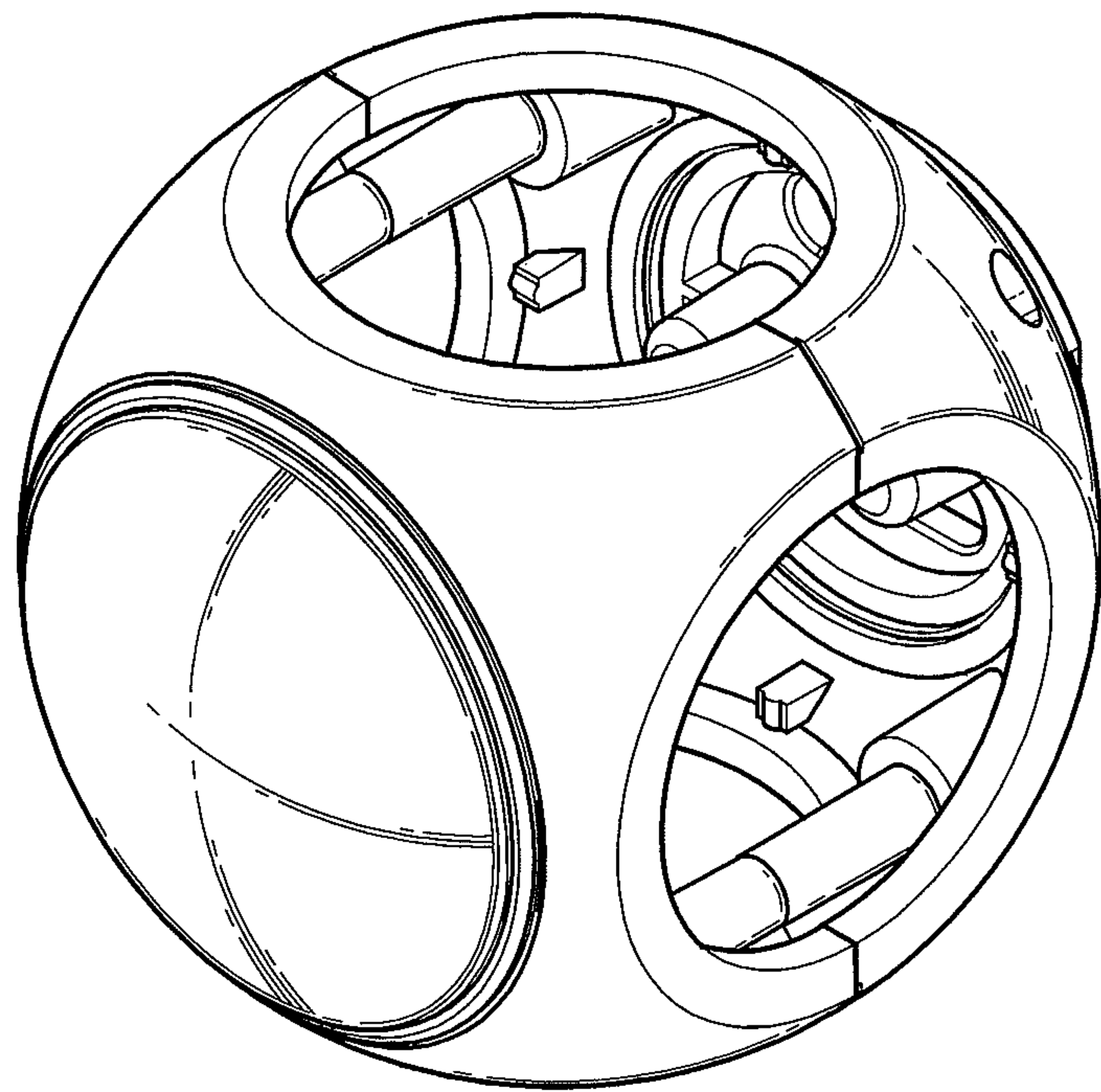


Fig. 1

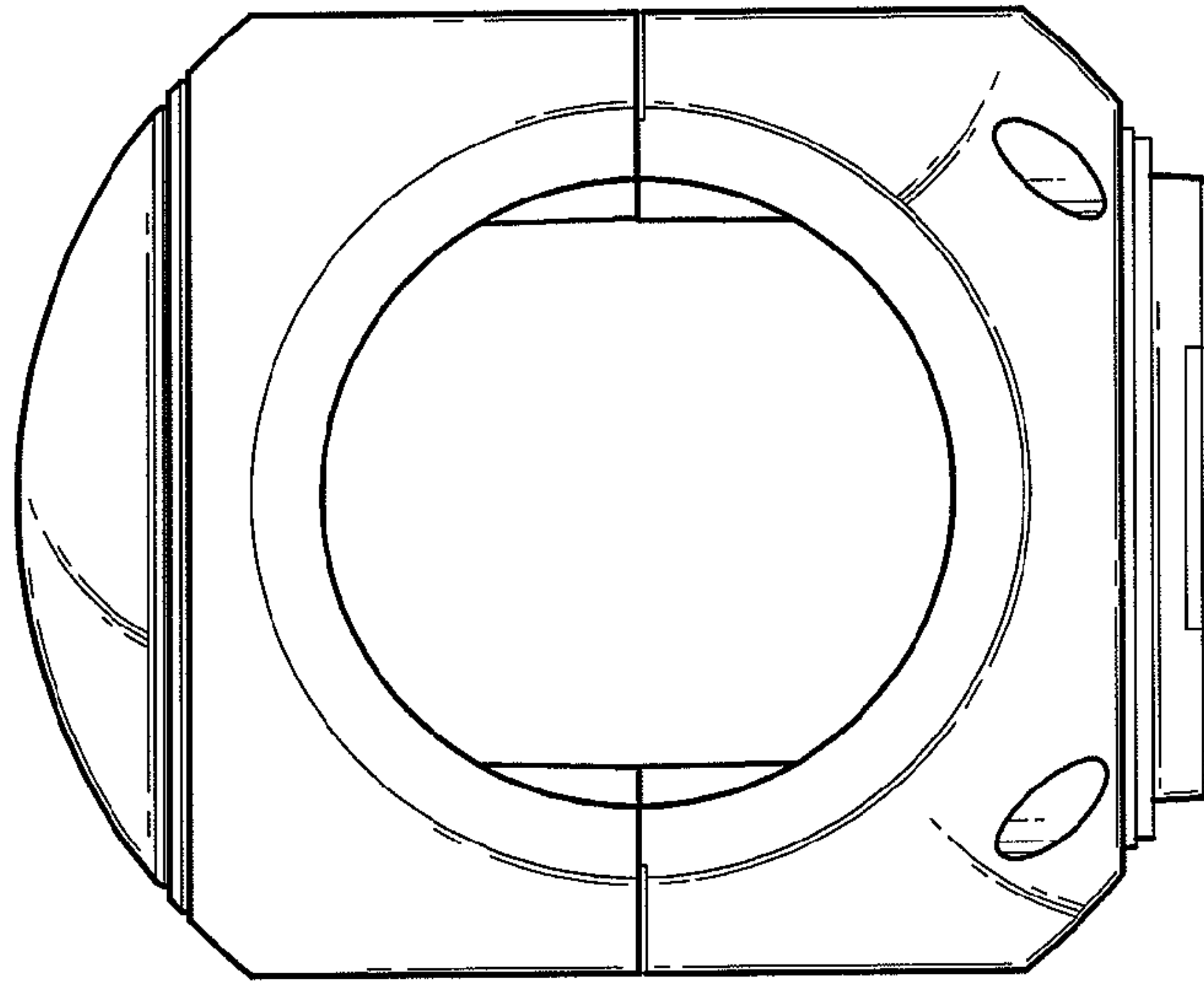


Fig. 2

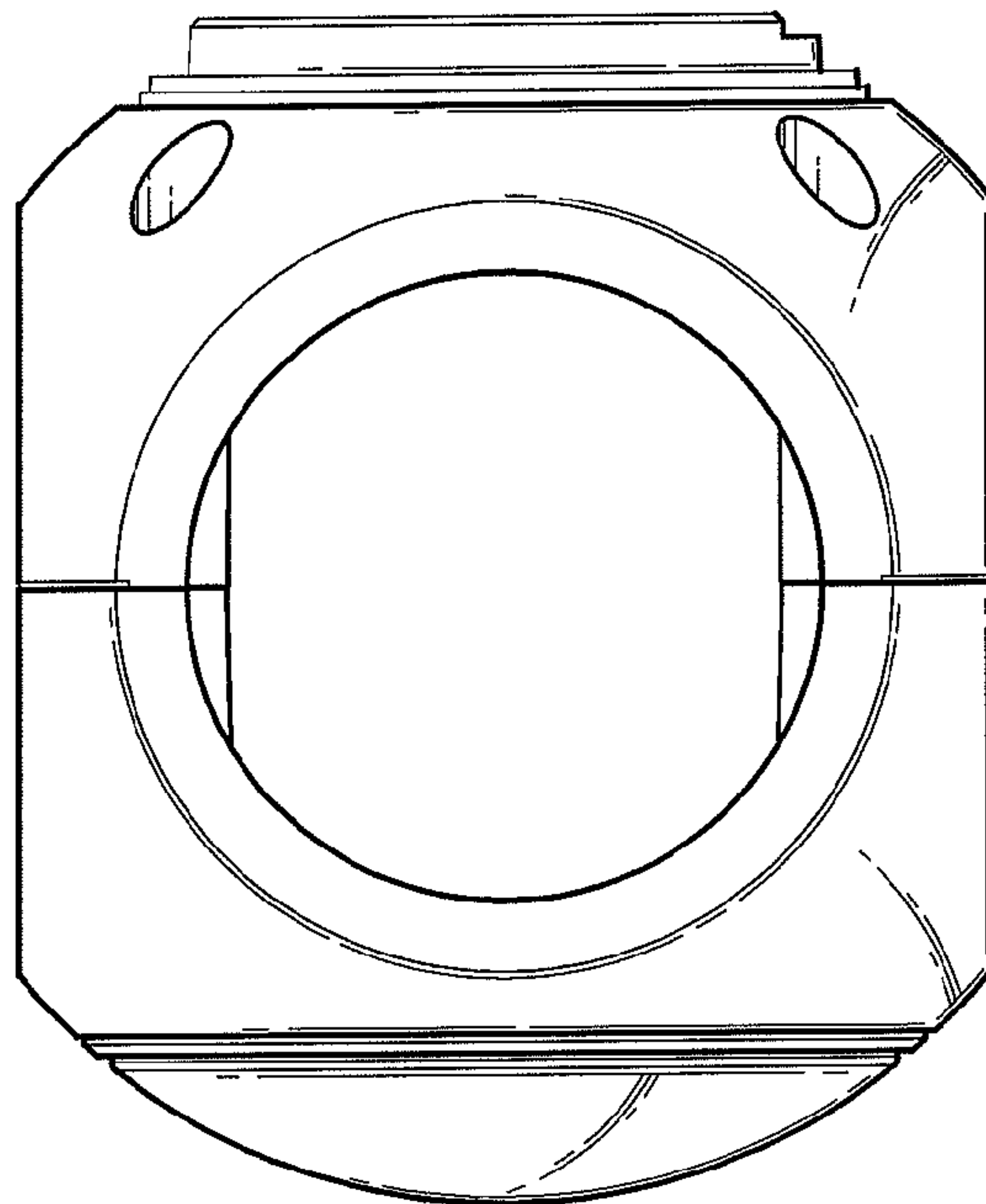


Fig. 3

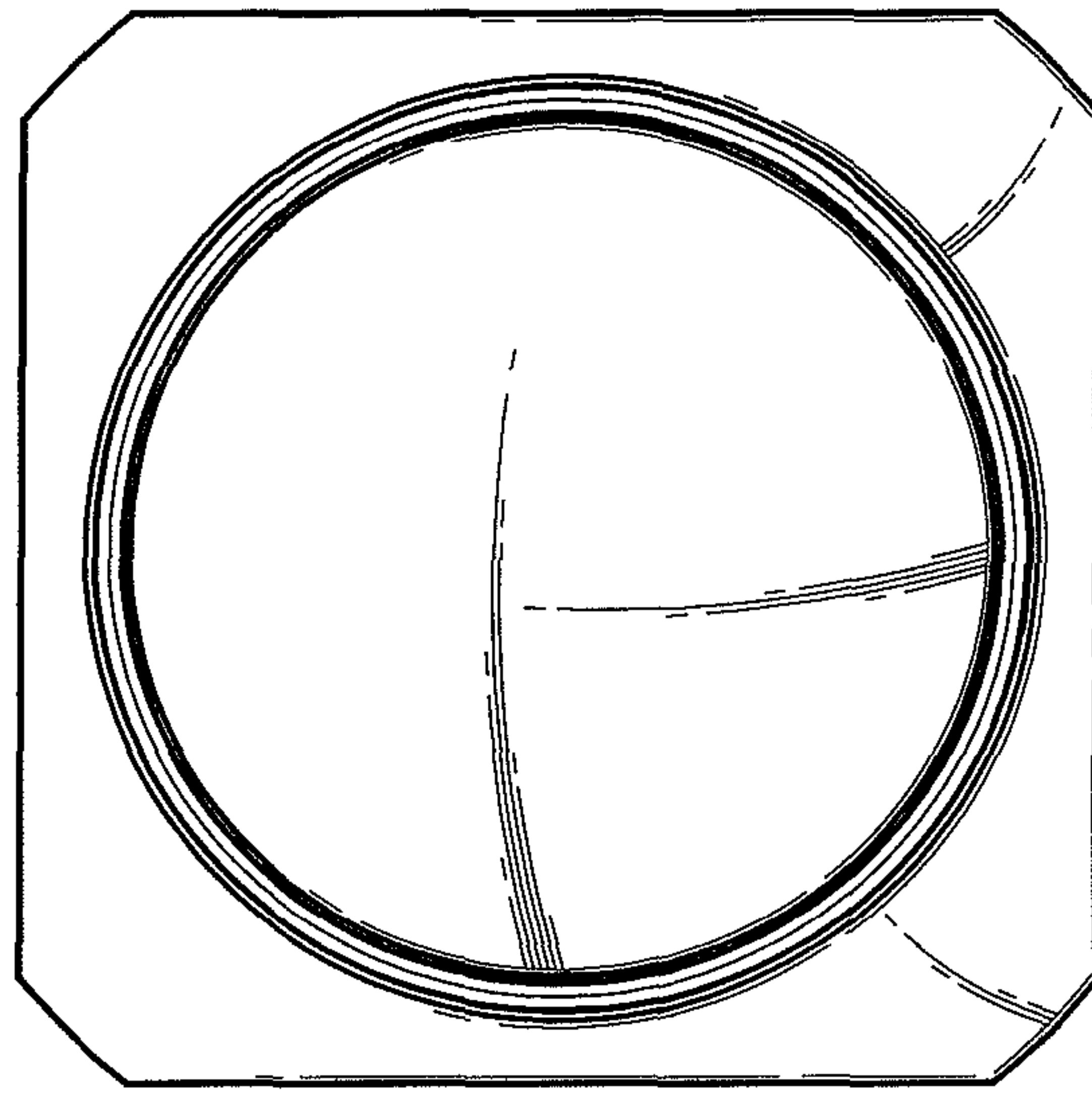


Fig. 4

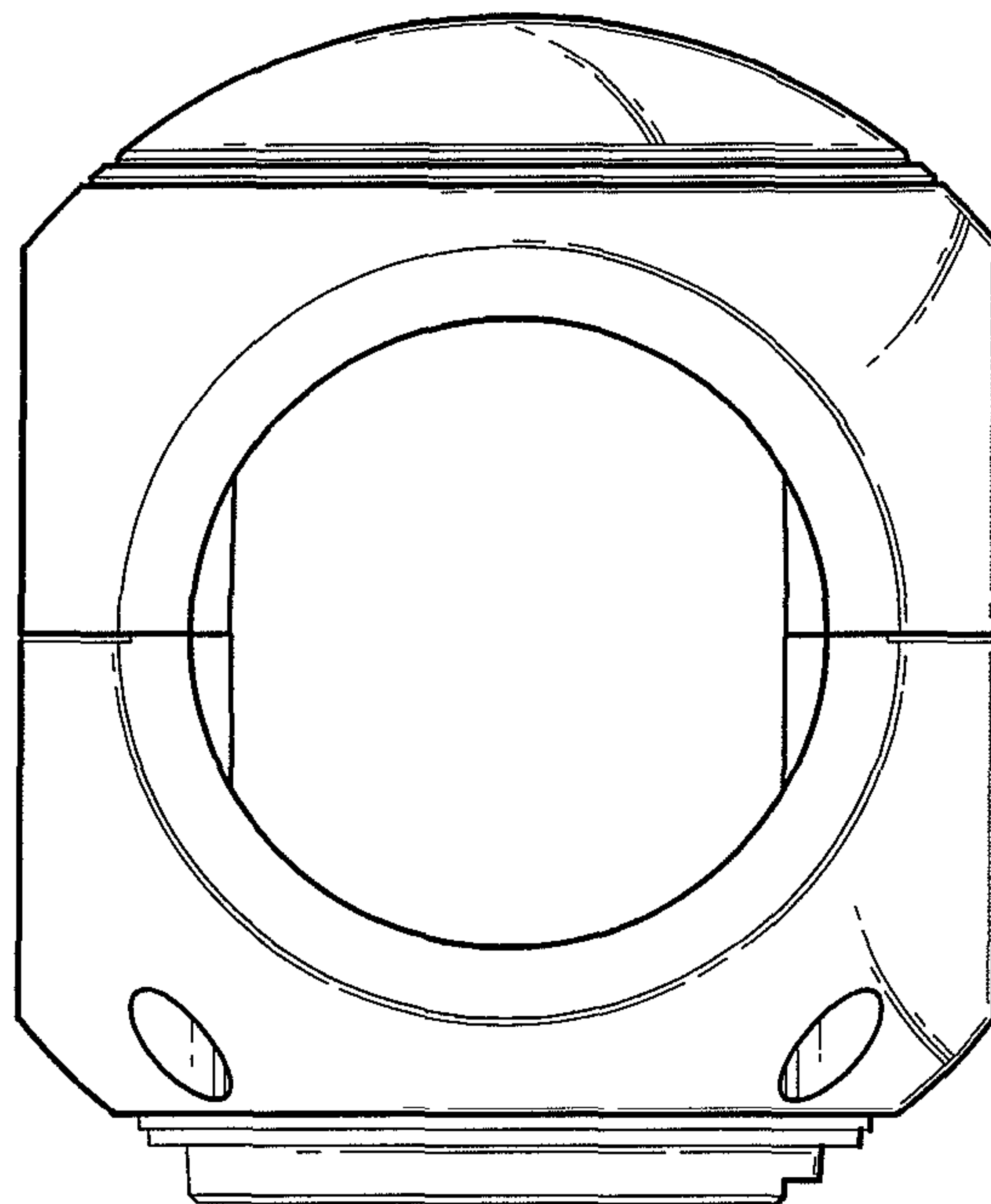


Fig. 5

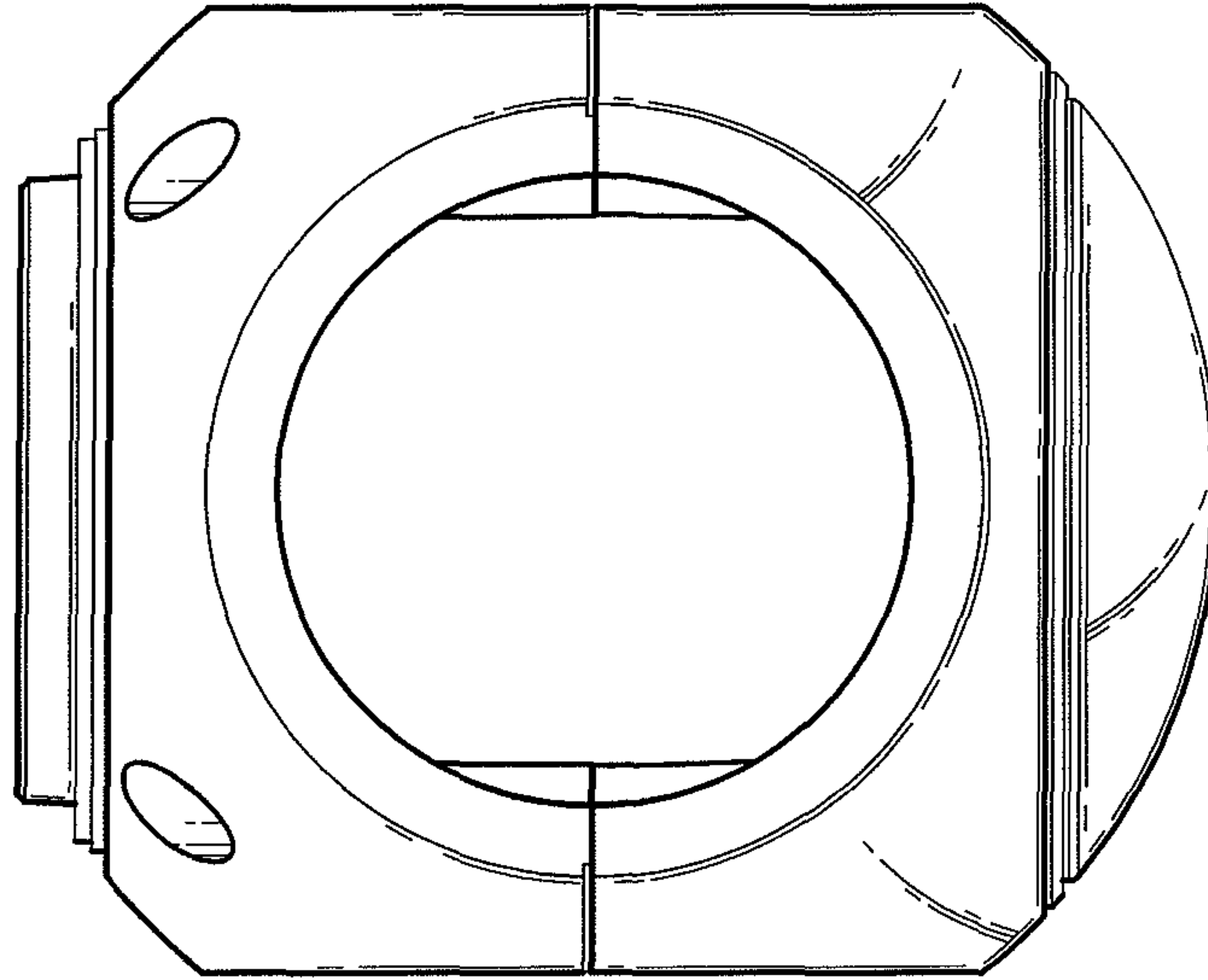


Fig. 6

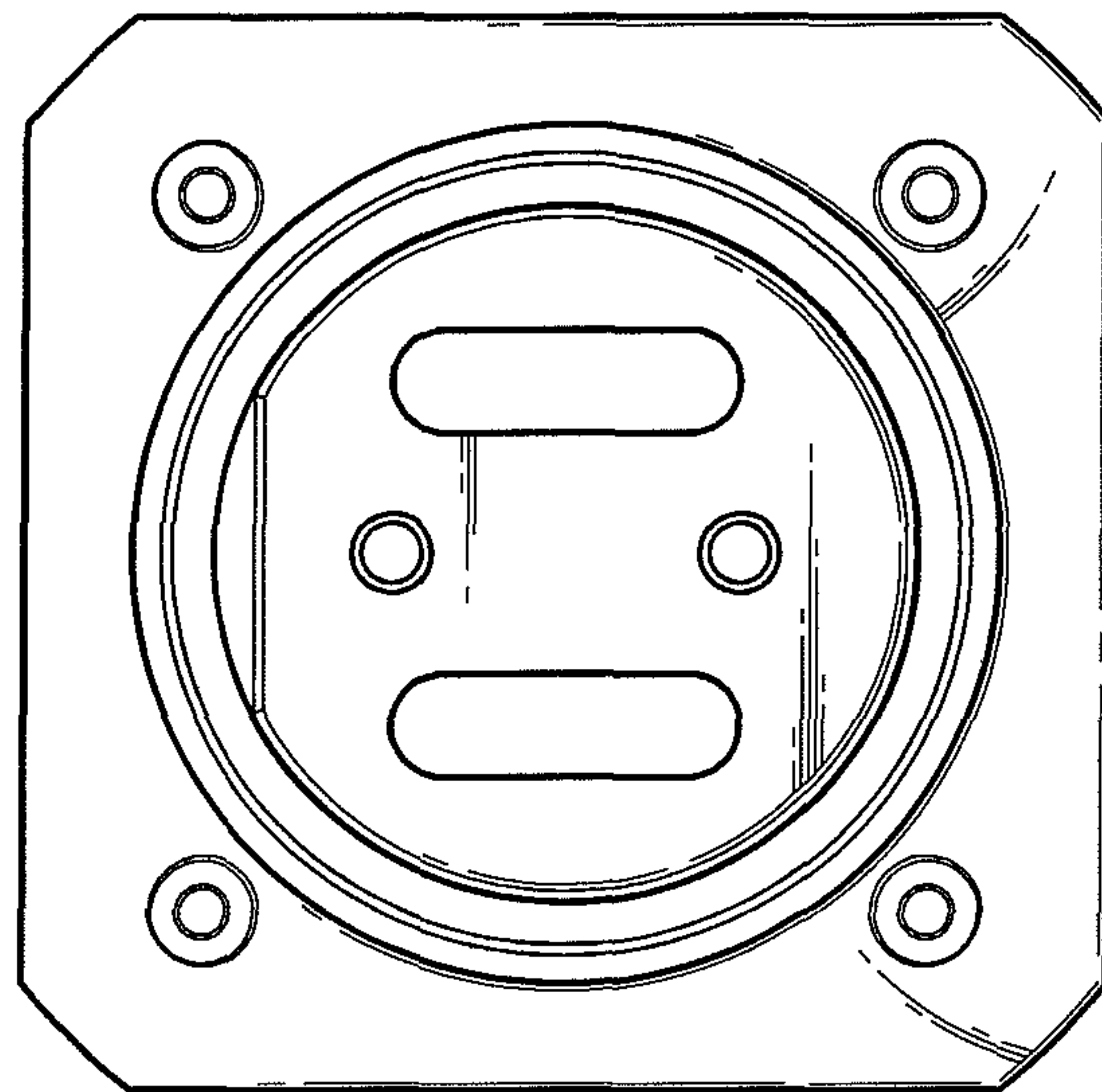


Fig. 7



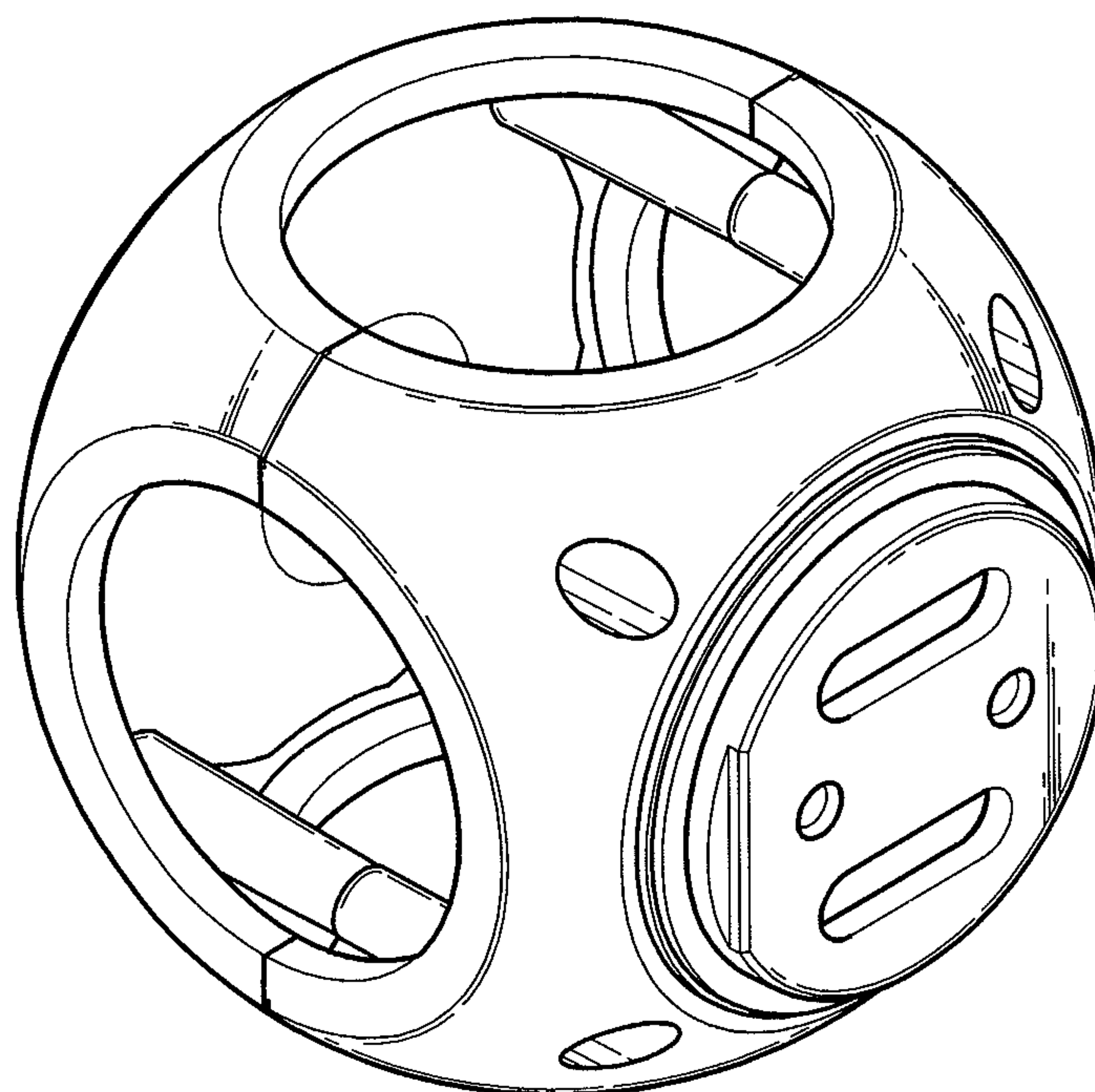


Fig. 8