



US00D718474S

(12) **United States Design Patent**  
**Hansen**

(10) **Patent No.:** **US D718,474 S**

(45) **Date of Patent:** **\*\* Nov. 25, 2014**

(54) **CONDENSATION SLEEVE FOR RAILING SYSTEMS MOUNTED IN CONCRETE SLABS**

*Primary Examiner* — Doris Clark

(74) *Attorney, Agent, or Firm* — Michael J. Tavella

(71) Applicant: **Tracy C. Hansen**, Hillsboro, OR (US)

(72) Inventor: **Tracy C. Hansen**, Hillsboro, OR (US)

(\*\*) Term: **14 Years**

(21) Appl. No.: **29/451,736**

(22) Filed: **Apr. 8, 2013**

(51) **LOC (10) Cl.** ..... **25-01**

(52) **U.S. Cl.**  
USPC ..... **D25/133**

(58) **Field of Classification Search**  
USPC ..... D25/126, 133; 52/147, 169.14;  
256/65.04, 65.14; 405/216  
See application file for complete search history.

(56) **References Cited**

U.S. PATENT DOCUMENTS

6,176,062	B1 *	1/2001	Fayle	.....	52/835
6,840,507	B2 *	1/2005	Brown	.....	256/65.01
D583,081	S *	12/2008	Ryan	.....	D25/126
D586,481	S *	2/2009	Blair	.....	D25/133

\* cited by examiner

(57) **CLAIM**

The ornamental design for a condensation sleeve for railing systems mounted in concrete slabs, as shown and described.

**DESCRIPTION**

FIG. 1 is a front elevation view of a condensation sleeve for railing systems mounted in concrete slabs, the design being square, the other sides being uniformly the same in appearance.

FIG. 2 is top plan view of the design.

FIG. 3 is bottom plan view of the design.

FIG. 4 is a top perspective view of the design.

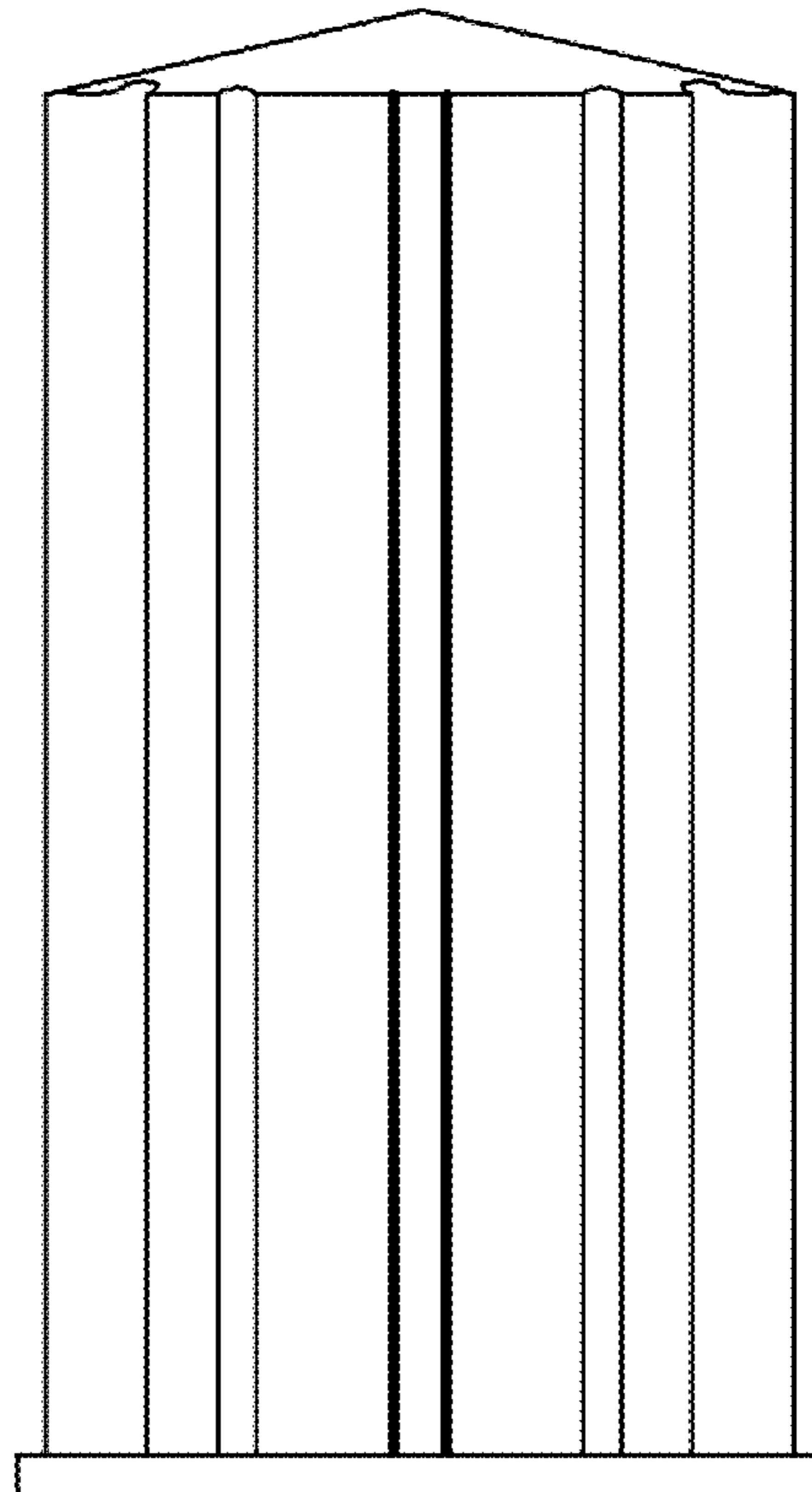
FIG. 5 is a bottom perspective view of the design.

FIG. 6 is an environmental view of the new design showing a rail post suspended above the design; and,

FIG. 7 is an environmental cross-sectional view taken along line 7-7 of FIG. 2, the design embedded in a concrete slab with a rail post.

The dashed lines showing the rail post and concrete and grout in FIGS. 6 and 7 are for illustrative purposes only and form no part of the claimed design.

**1 Claim, 5 Drawing Sheets**



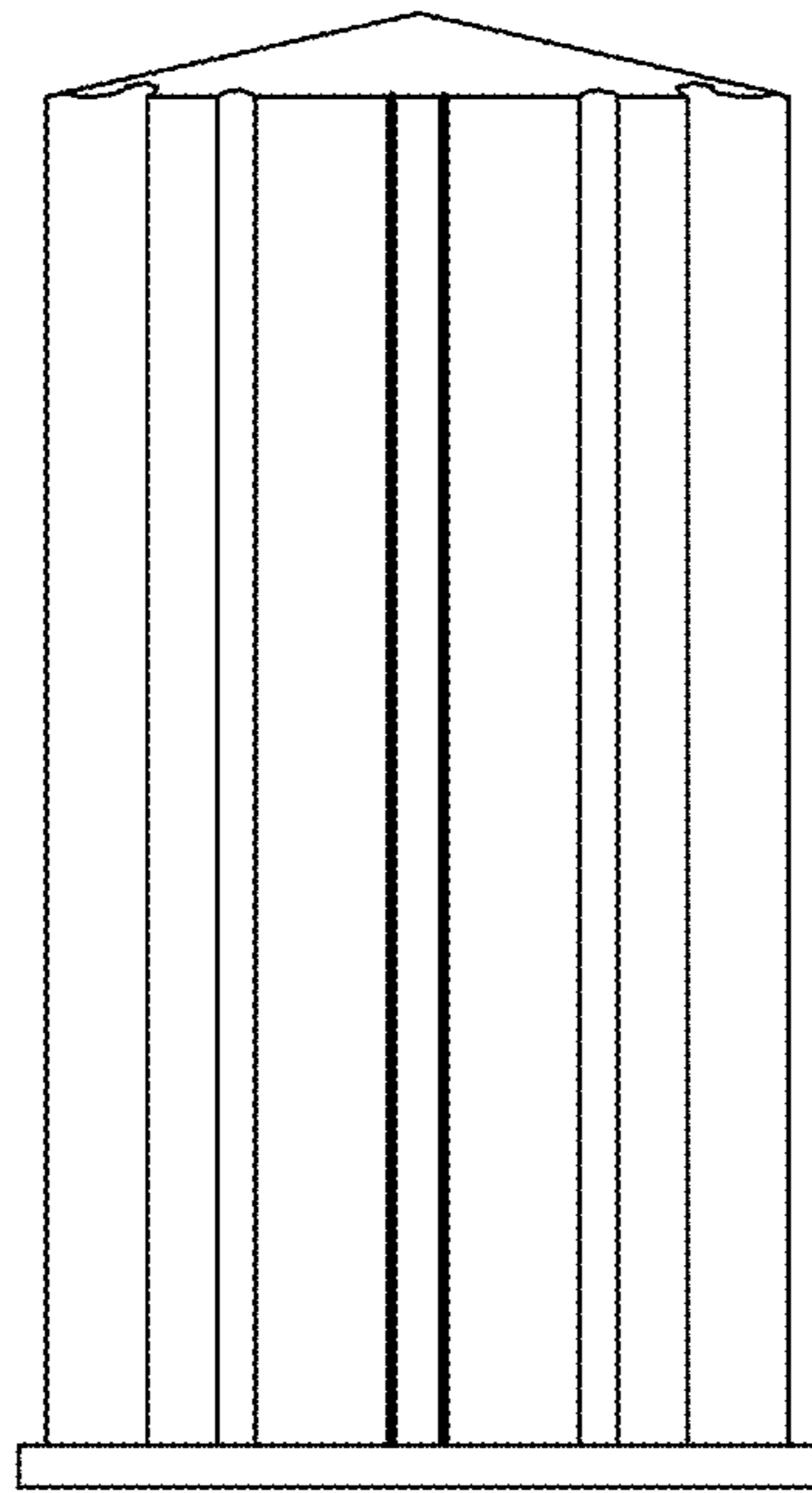


Figure 1

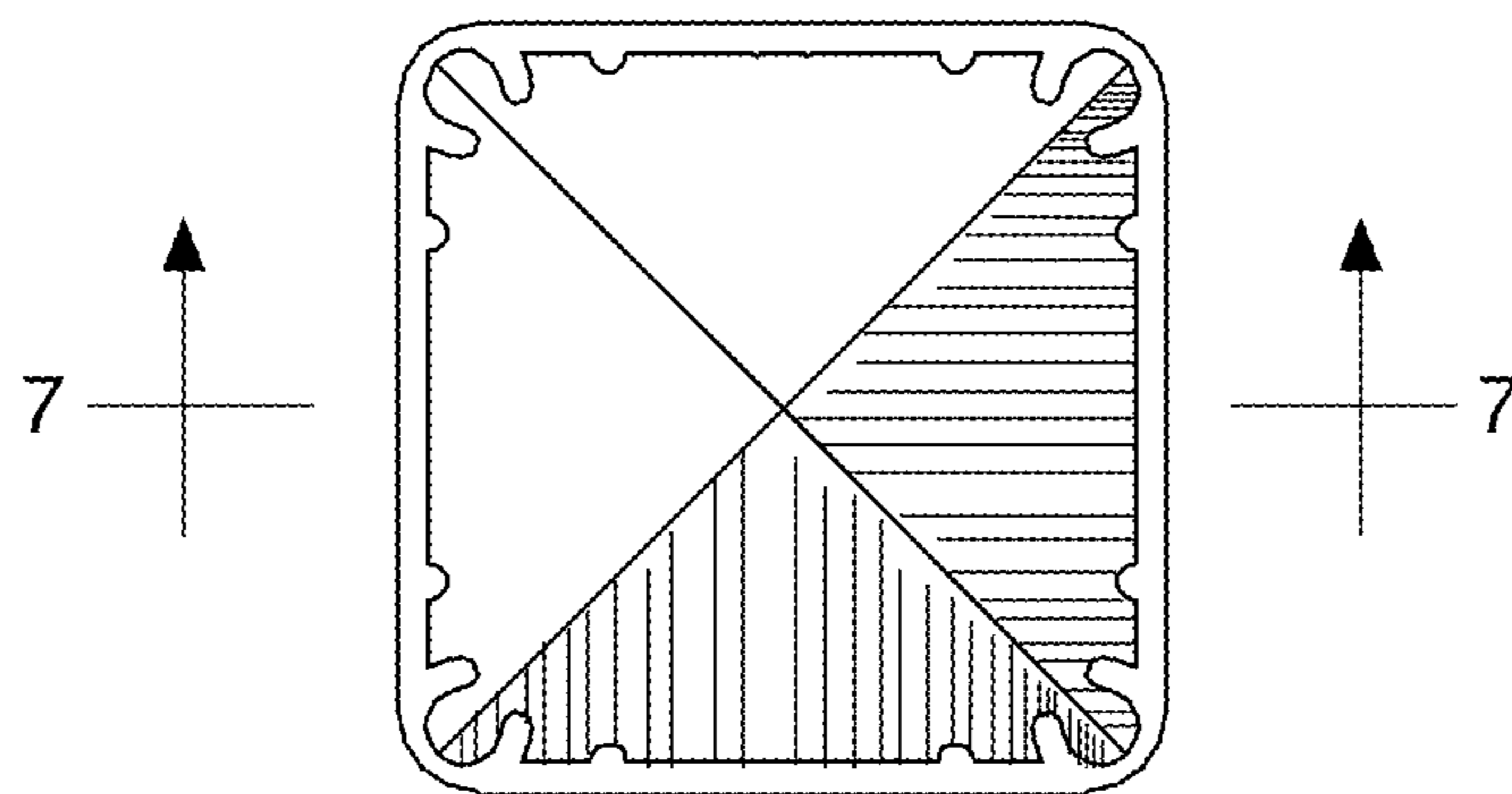


Figure 2

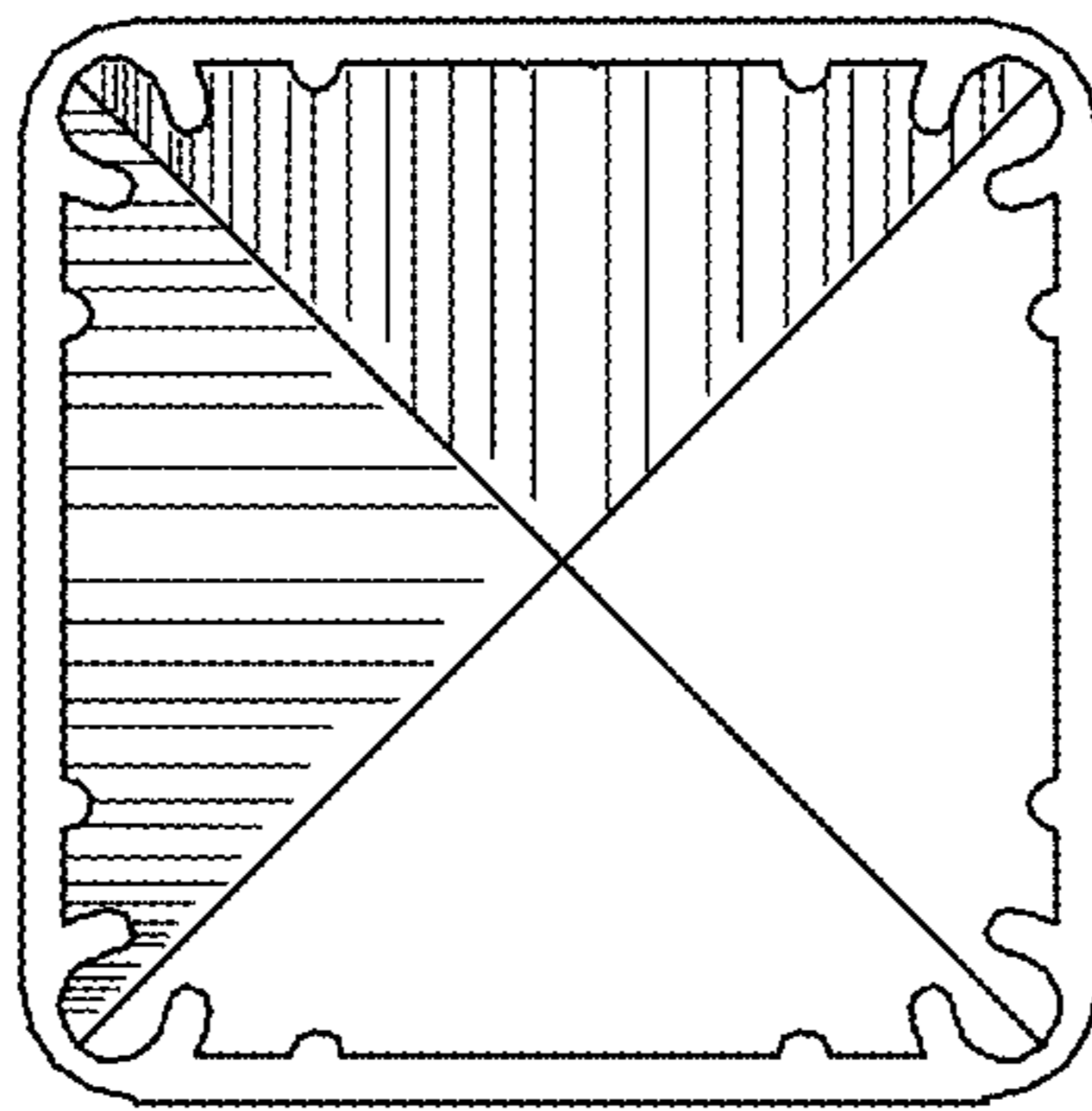


Figure 3

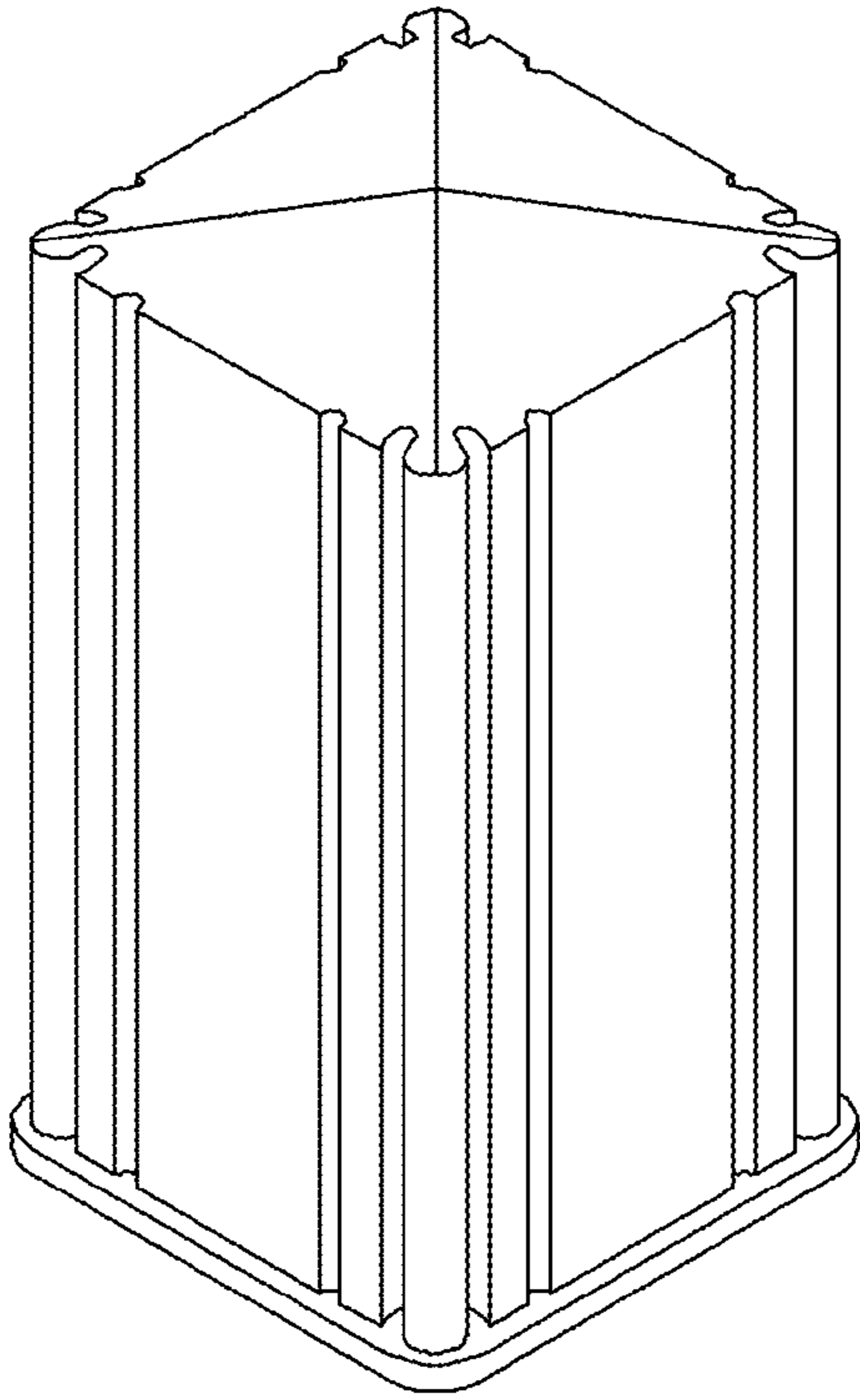


Figure 4

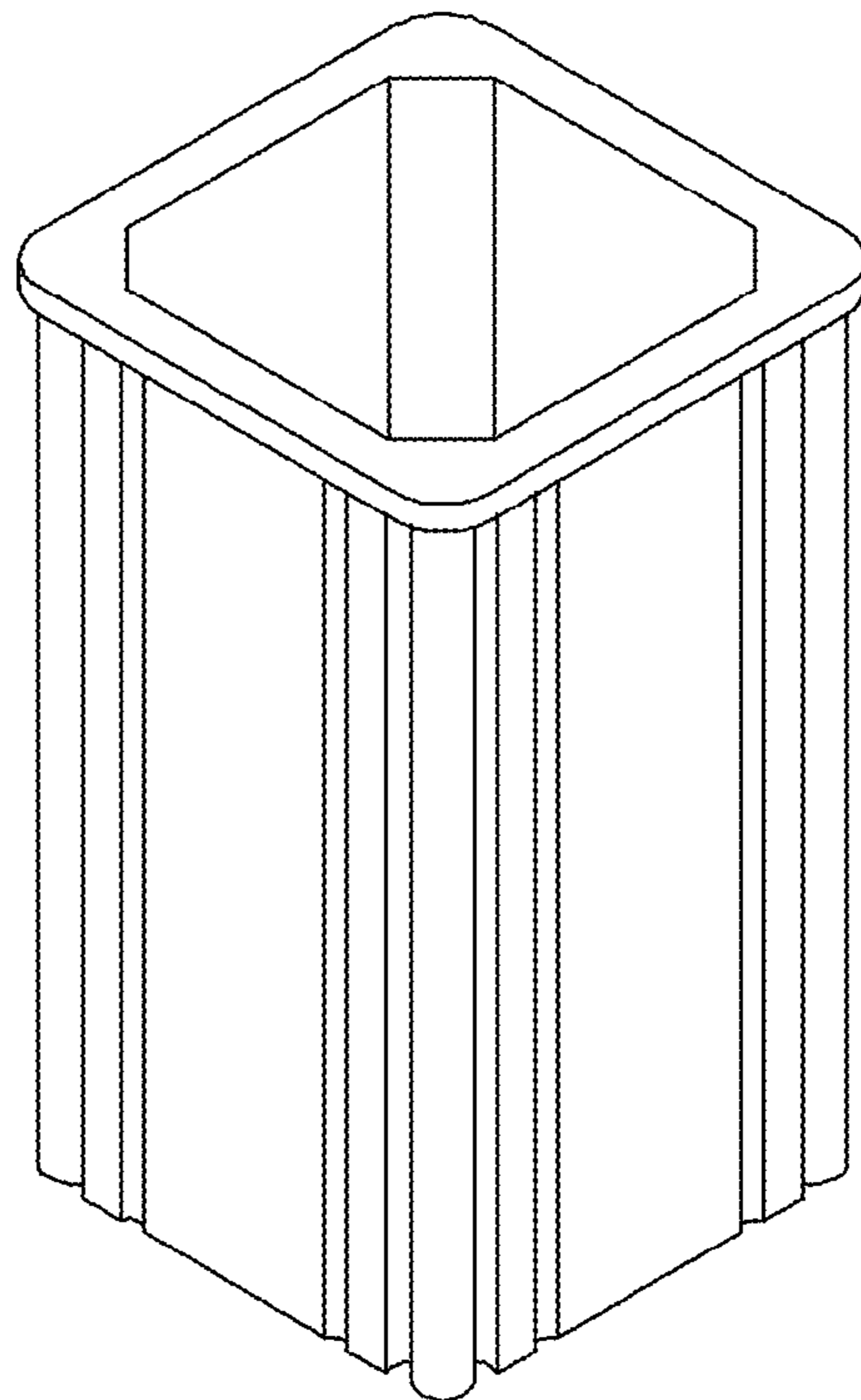


Figure 5

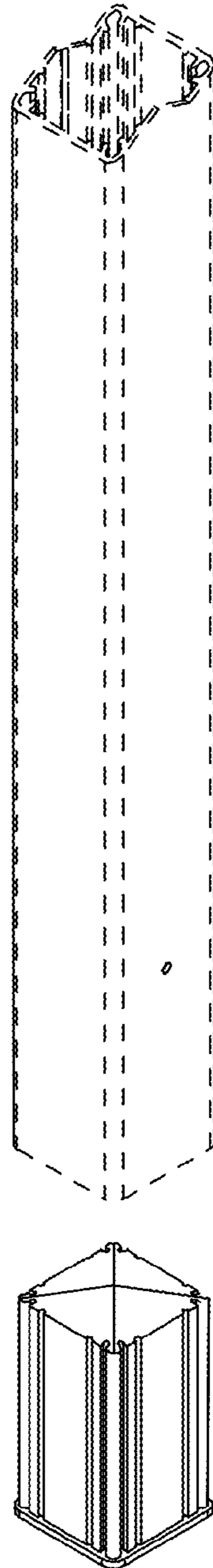


Figure 6

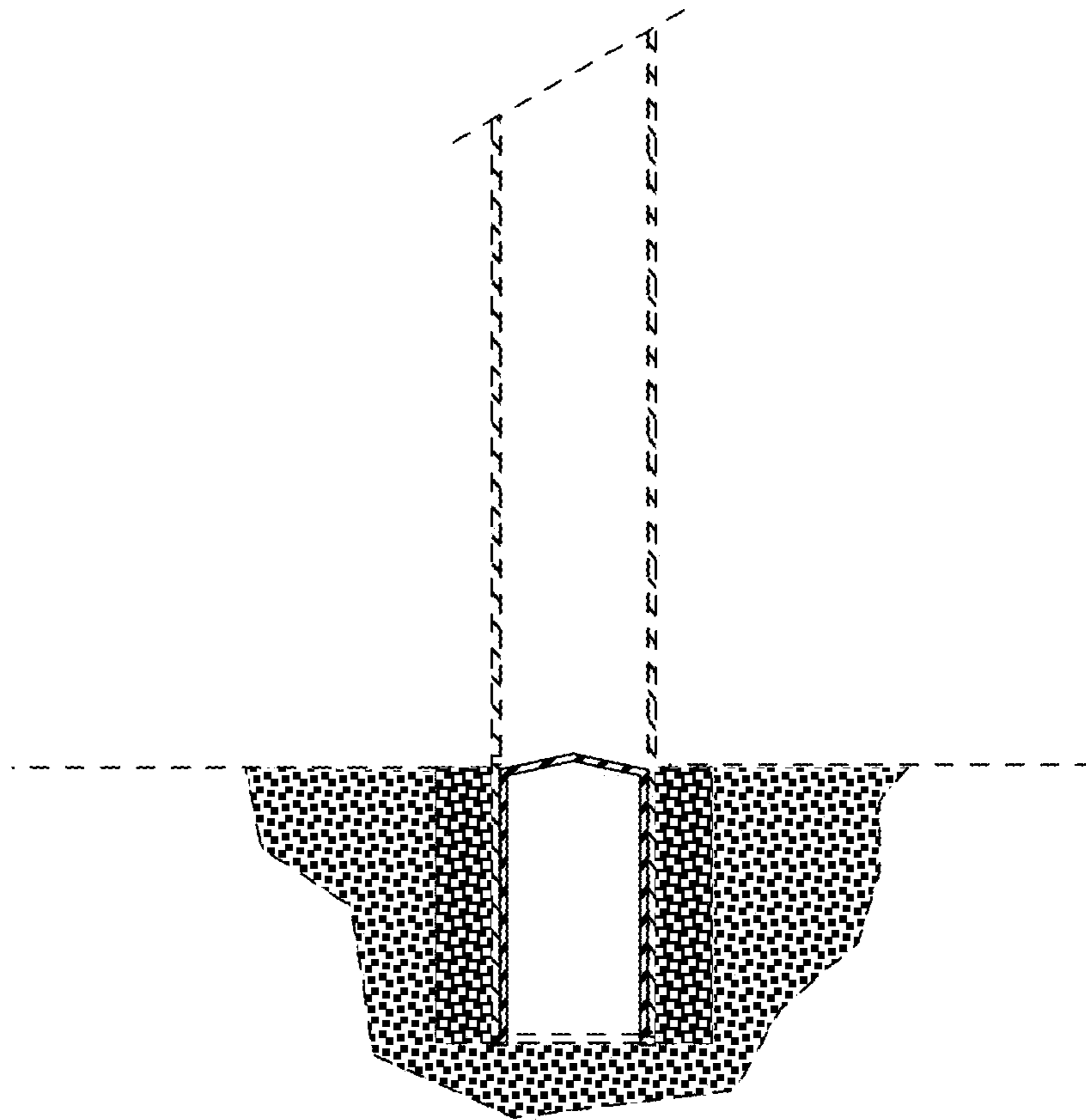


Figure 7