



US00D718470S

(12) **United States Design Patent**  
**So et al.**

(10) **Patent No.:** **US D718,470 S**

(45) **Date of Patent:** **\*\* Nov. 25, 2014**

(54) **3-DIMENSIONAL LARGE CAPACITY CELL  
ENCAPSULATION DEVICE**

(71) Applicant: **ViaCyte, Inc.**, San Diego, CA (US)

(72) Inventors: **Vincent So**, San Diego, CA (US); **Laura  
Martinson**, San Diego, CA (US); **Chad  
Green**, San Diego, CA (US); **Michael  
Scott**, San Diego, CA (US)

(73) Assignee: **ViaCyte, Inc.**, San Diego, CA (US)

(\*\*) Term: **14 Years**

(21) Appl. No.: **29/484,359**

(22) Filed: **Mar. 7, 2014**

(51) **LOC (10) Cl.** ..... **24-02**

(52) **U.S. Cl.**  
USPC ..... **D24/224**

(58) **Field of Classification Search**  
USPC ..... D24/216, 222, 224-232; 422/63-67,  
422/99-104, 509, 552, 553, 549, 569, 400,  
422/423, 488; D23/330, 358; D13/179;  
D1/199; D30/160; D7/701, 387;  
D25/123; 210/638; 435/29, 177, 371,  
435/325; 623/1.41, 23.72; 141/327;  
424/422, 424; 604/891.1

See application file for complete search history.

(56) **References Cited**

**U.S. PATENT DOCUMENTS**

D254,506 S *	3/1980	Holmberg	.....	D23/358
D270,092 S *	8/1983	Lacasse	.....	D25/123
D278,140 S *	3/1985	Tatum	.....	D13/179
D300,293 S *	3/1989	Casey	.....	D7/387
D353,747 S *	12/1994	Lanier	.....	D7/701
5,980,889 A *	11/1999	Butler et al.	.....	435/177
6,068,775 A *	5/2000	Custer et al.	.....	210/638
D453,977 S *	2/2002	Park et al.	.....	D30/160
D473,318 S *	4/2003	Barbera-Guillem	.....	D24/225
D485,241 S *	1/2004	Lee	.....	D13/179
D536,774 S *	2/2007	Kuo et al.	.....	D23/330
D619,232 S *	7/2010	Ragaini	.....	D23/330
D632,799 S *	2/2011	Canner et al.	.....	D24/216

8,278,106 B2 *	10/2012	Martinson et al.	.....	435/371
D676,118 S *	2/2013	Hansen	.....	D23/330
8,414,925 B2 *	4/2013	Freier	.....	424/488
D692,578 S *	10/2013	Kikuhara et al.	.....	D24/216
D706,017 S *	6/2014	King et al.	.....	D1/199
2009/0068170 A1 *	3/2009	Weitz et al.	.....	435/29
2009/0105811 A1 *	4/2009	Dinh et al.	.....	623/1.41

\* cited by examiner

*Primary Examiner* — T. Chase Nelson

*Assistant Examiner* — Mark Cavanna

(74) *Attorney, Agent, or Firm* — Kilpatrick Townsend & Stockton LLP

(57) **CLAIM**

The ornamental design for a 3-dimensional large capacity cell encapsulation device, as shown and described.

**DESCRIPTION**

FIG. 1 is a perspective view of the 3-dimensional large capacity cell encapsulation device with multiple cell chambers and single ports.

FIG. 2 is a back elevation view of the 3-dimensional large capacity cell encapsulation device with multiple cell chambers and single ports.

FIG. 3 is a front elevation view of the 3-dimensional large capacity cell encapsulation device with multiple cell chambers and single ports.

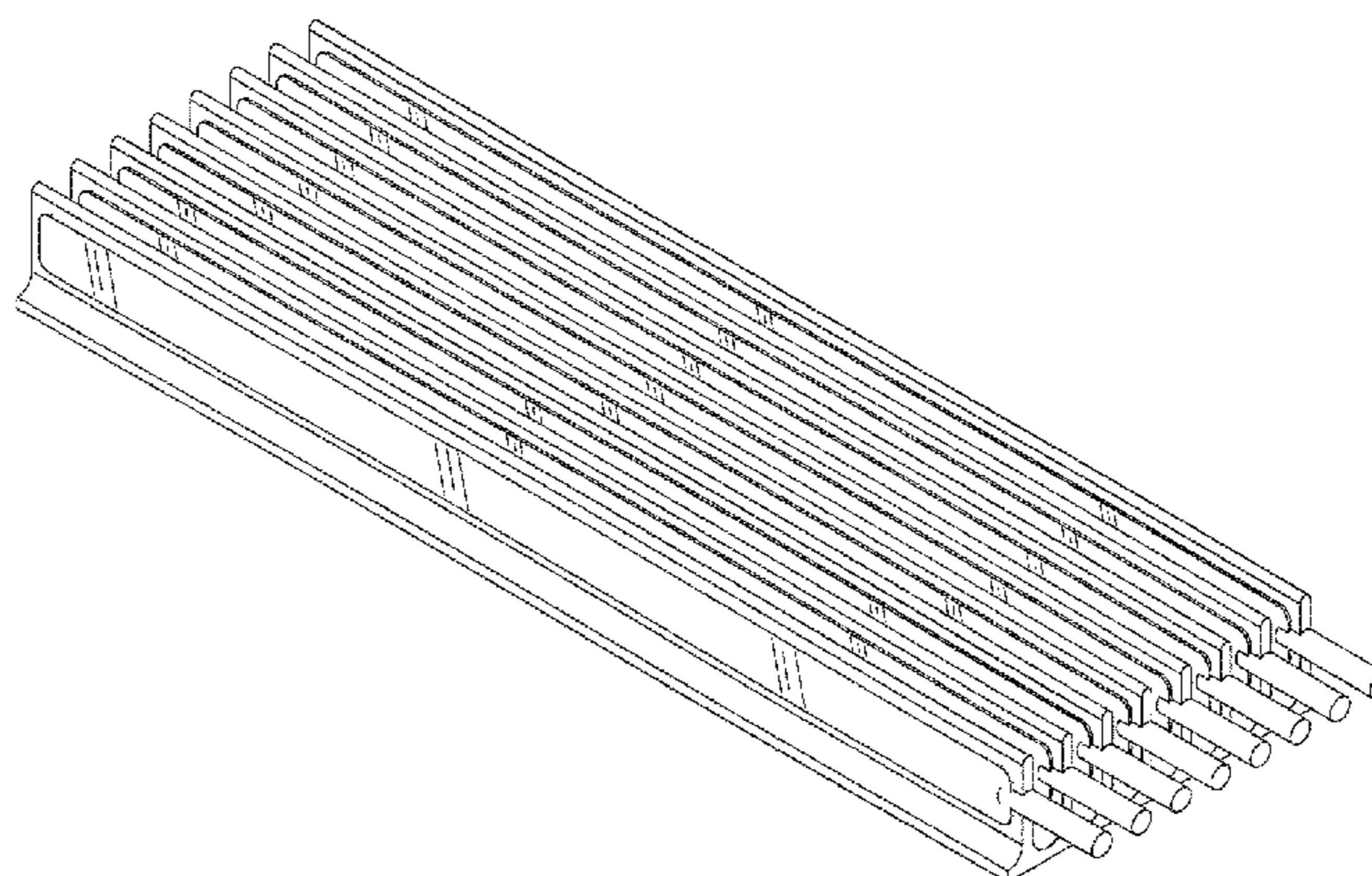
FIG. 4 is a top plan view of the 3-dimensional large capacity cell encapsulation device with multiple cell chambers and single ports.

FIG. 5 is a bottom plan view of the 3-dimensional large capacity cell encapsulation device with multiple cell chambers and single ports.

FIG. 6 is a right elevation view of the 3-dimensional large capacity cell encapsulation device with multiple cell chambers and single ports (circle), whereby the cell chambers are facing parallel to each other; and,

FIG. 7 is a left elevation view of the 3-dimensional large capacity cell encapsulation device with multiple cell chambers and single ports (circle), whereby the cell chambers are facing parallel to each other.

**1 Claim, 3 Drawing Sheets**



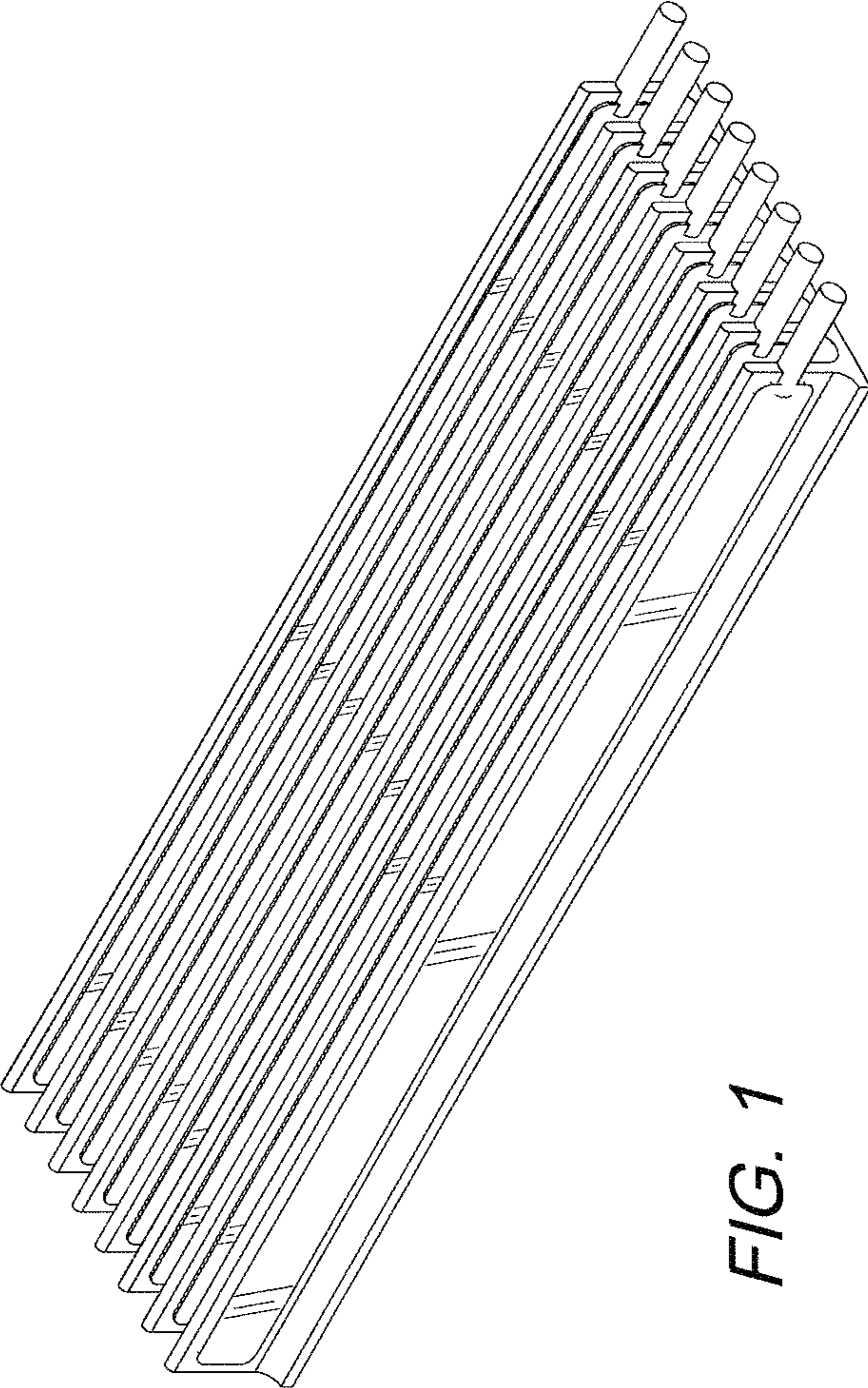


FIG. 1

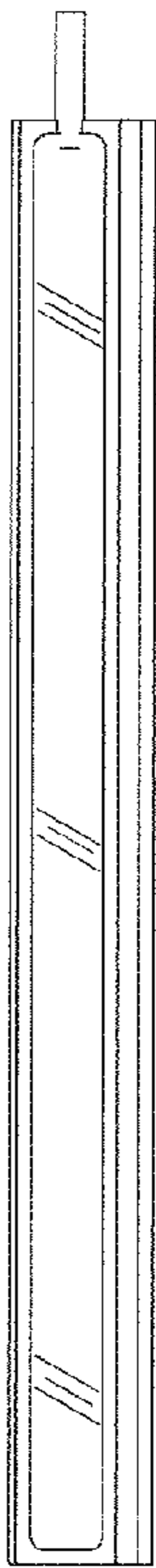


FIG. 2



FIG. 3

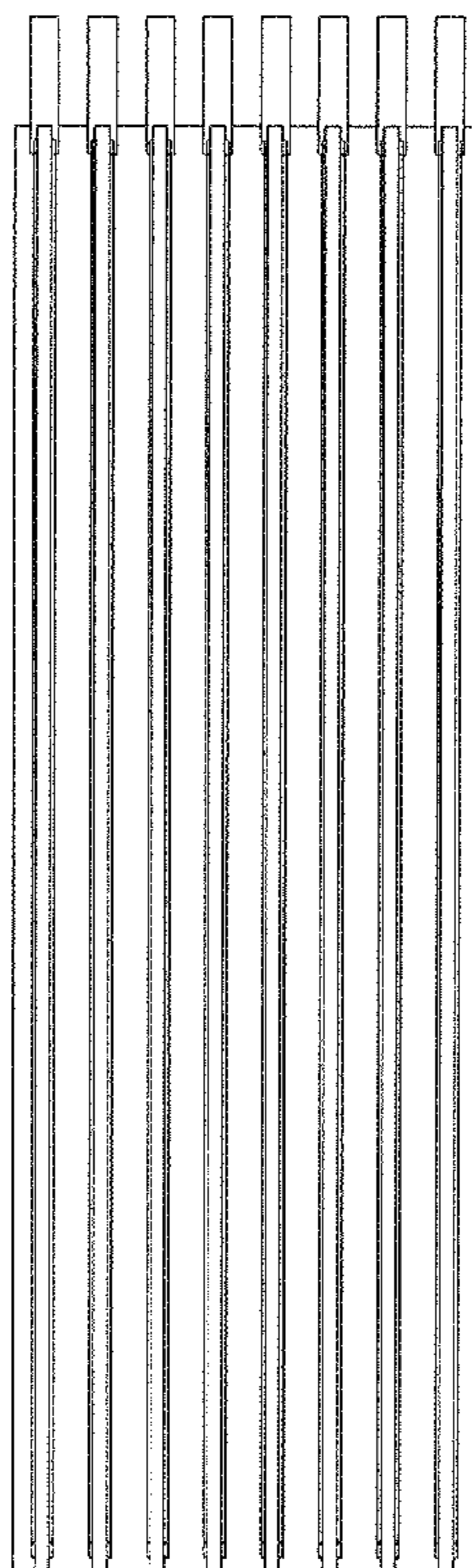


FIG. 4

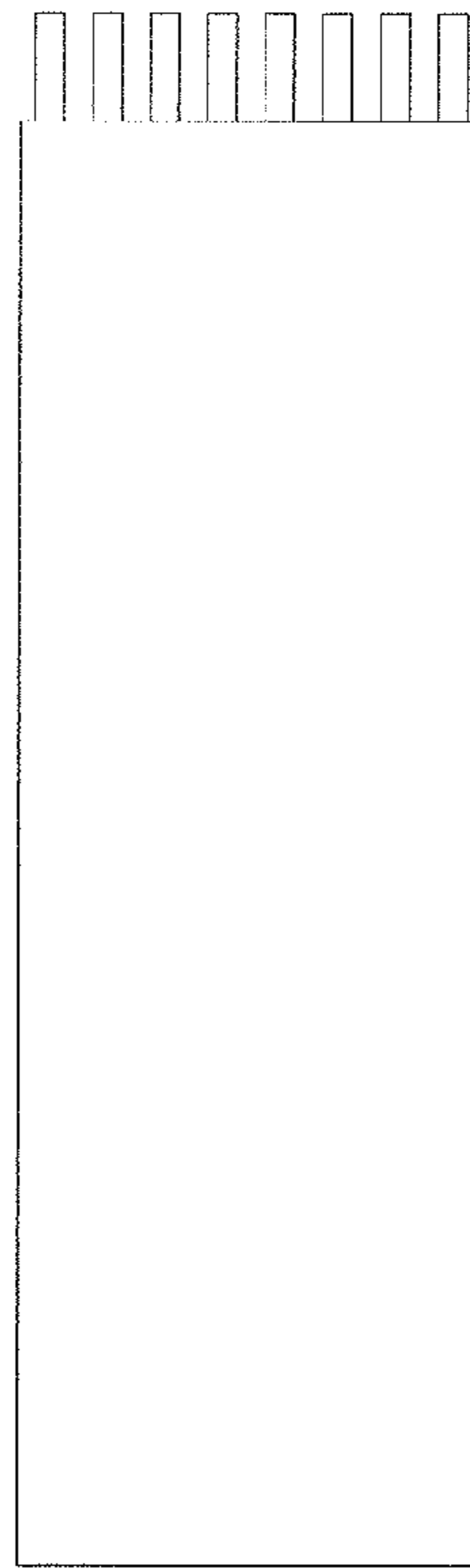


FIG. 5

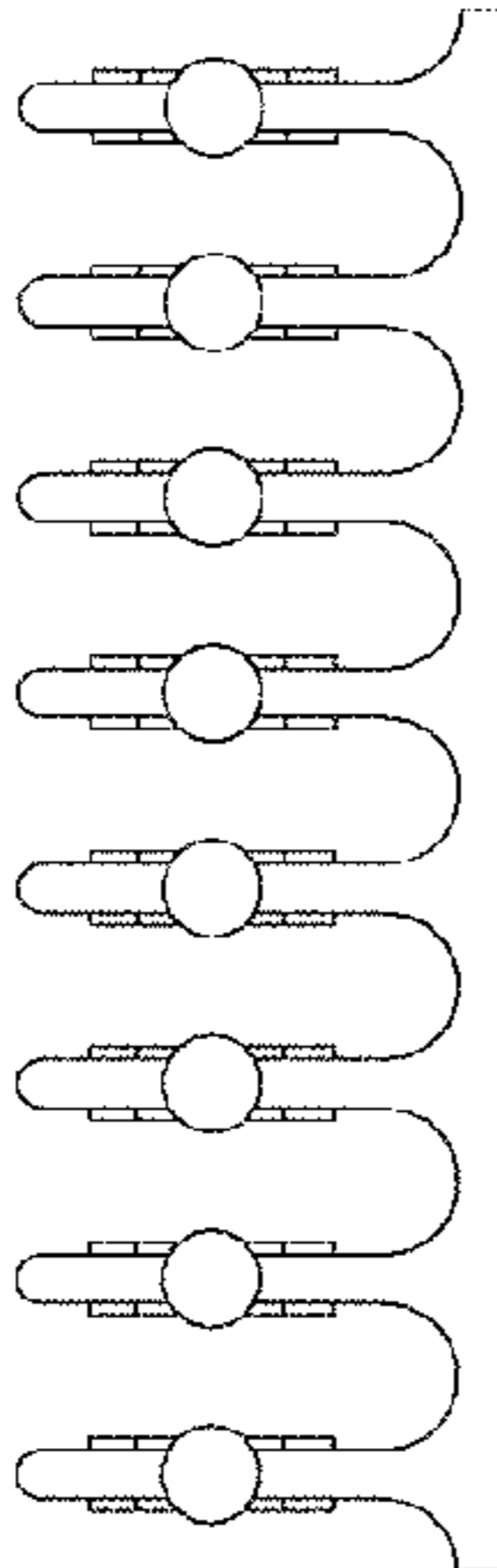


FIG. 6

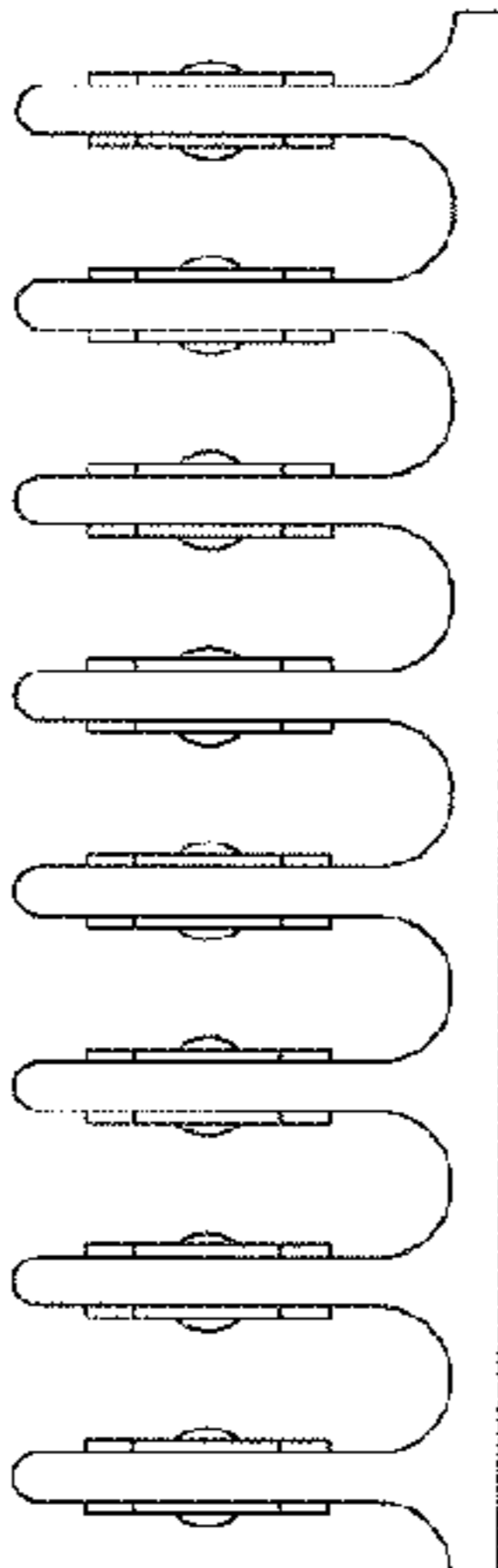


FIG. 7