



US00D718465S

(12) **United States Design Patent**
Tajima et al.

(10) **Patent No.:** **US D718,465 S**

(45) **Date of Patent:** **** Nov. 25, 2014**

(54) **PLURALITY OF REACTION VESSELS WITH LIDS**

(71) Applicant: **Universal Bio Research Co., Ltd.**,
Matsudo (JP)

(72) Inventors: **Hideji Tajima**, Matsudo (JP); **Masaki Mamiya**, Matsudo (JP)

(73) Assignee: **Universal Bio Research Co., Ltd.**,
Matsudo-Shi Chiba (JP)

(**) Term: **14 Years**

(21) Appl. No.: **29/473,105**

(22) Filed: **Nov. 19, 2013**

Related U.S. Application Data

(62) Division of application No. 29/437,580, filed on Nov. 19, 2012, now Pat. No. Des. 703,345.

(30) **Foreign Application Priority Data**

Oct. 29, 2012 (JP) 2012-26292
Oct. 29, 2012 (JP) 2012-26293

(51) **LOC (10) Cl.** **24-01**

(52) **U.S. Cl.**
USPC **D24/224**

(58) **Field of Classification Search**
USPC D24/216, 219, 223–226, 227, 229–231,
D24/232, 121; D10/81; 422/500, 547,
422/551–554, 550, 568, 569;
435/305.1–305.4

See application file for complete search history.

(56) **References Cited**

U.S. PATENT DOCUMENTS

4,956,150 A 9/1990 Henry
5,683,659 A 11/1997 Hovatter

5,753,186 A 5/1998 Hanley et al.
5,863,791 A 1/1999 Baldszun et al.
D439,673 S 3/2001 Brophy et al.
D445,907 S 7/2001 Monks
D453,573 S 2/2002 Lafond et al.
6,601,725 B2 8/2003 Lafond et al.
D608,013 S 1/2010 Coulling et al.
D669,597 S * 10/2012 Cavada et al. D24/224
D672,881 S * 12/2012 Kraihanzel D24/224
D679,830 S 4/2013 May et al.

(Continued)

OTHER PUBLICATIONS

Notice of Allowance mailed Nov. 25, 2013 in Design U.S. Appl. No. 29/437,592, filed Nov. 19, 2012.

(Continued)

Primary Examiner — Anhdao Doan

(74) *Attorney, Agent, or Firm* — Haynes and Boone, LLP

(57) **CLAIM**

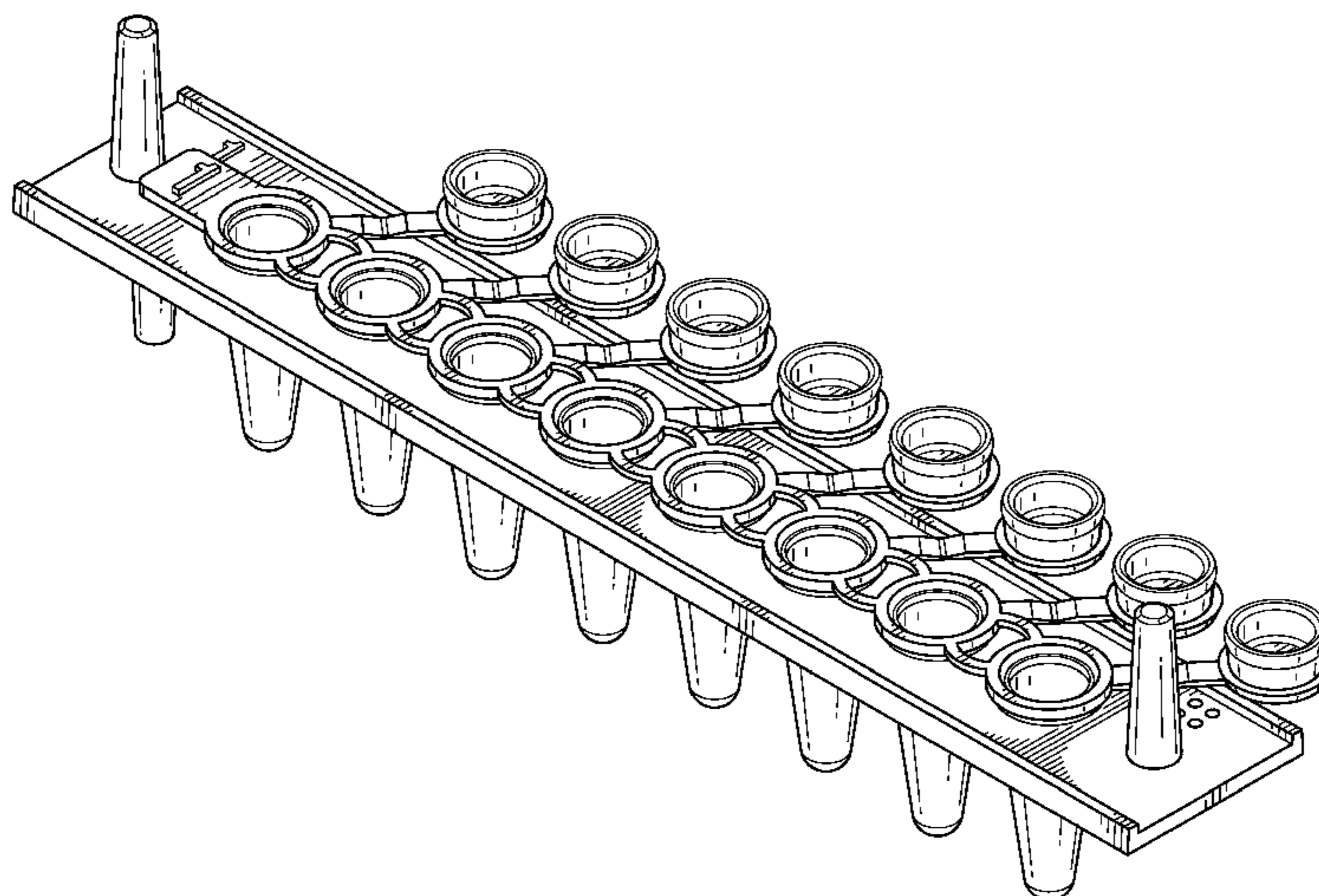
The ornamental design for a plurality of reaction vessels with lids, as shown and described.

DESCRIPTION

This application is related to U.S. Design patent application Ser. No. 29/437,592, filed Nov. 19, 2012, which claims priority to Japanese Design Application No. 2012-26294, filed Oct. 29, 2012, the entire disclosures of which are incorporated herein by reference.

FIG. 1 is a perspective view of a plurality of reaction vessels with lids showing our new design;
FIG. 2 is a top plan view thereof;
FIG. 3 is a bottom plan view thereof;
FIG. 4 is a front elevational view thereof;
FIG. 5 is a rear elevational view thereof;
FIG. 6 is a right side elevational view thereof;
FIG. 7 is a left side elevational view thereof; and,
FIG. 8 is a perspective view thereof shown in a closed configuration.

1 Claim, 5 Drawing Sheets



(56)

References Cited

U.S. PATENT DOCUMENTS

D684,703 S * 6/2013 Watzele et al. D24/224
D687,567 S * 8/2013 Jungheim et al. D24/224
2013/0029343 A1 1/2013 Day et al.

OTHER PUBLICATIONS

Office Action mailed Oct. 9, 2013 in Design U.S. Appl. No. 29/437,592, filed Nov. 19, 2012.

* cited by examiner

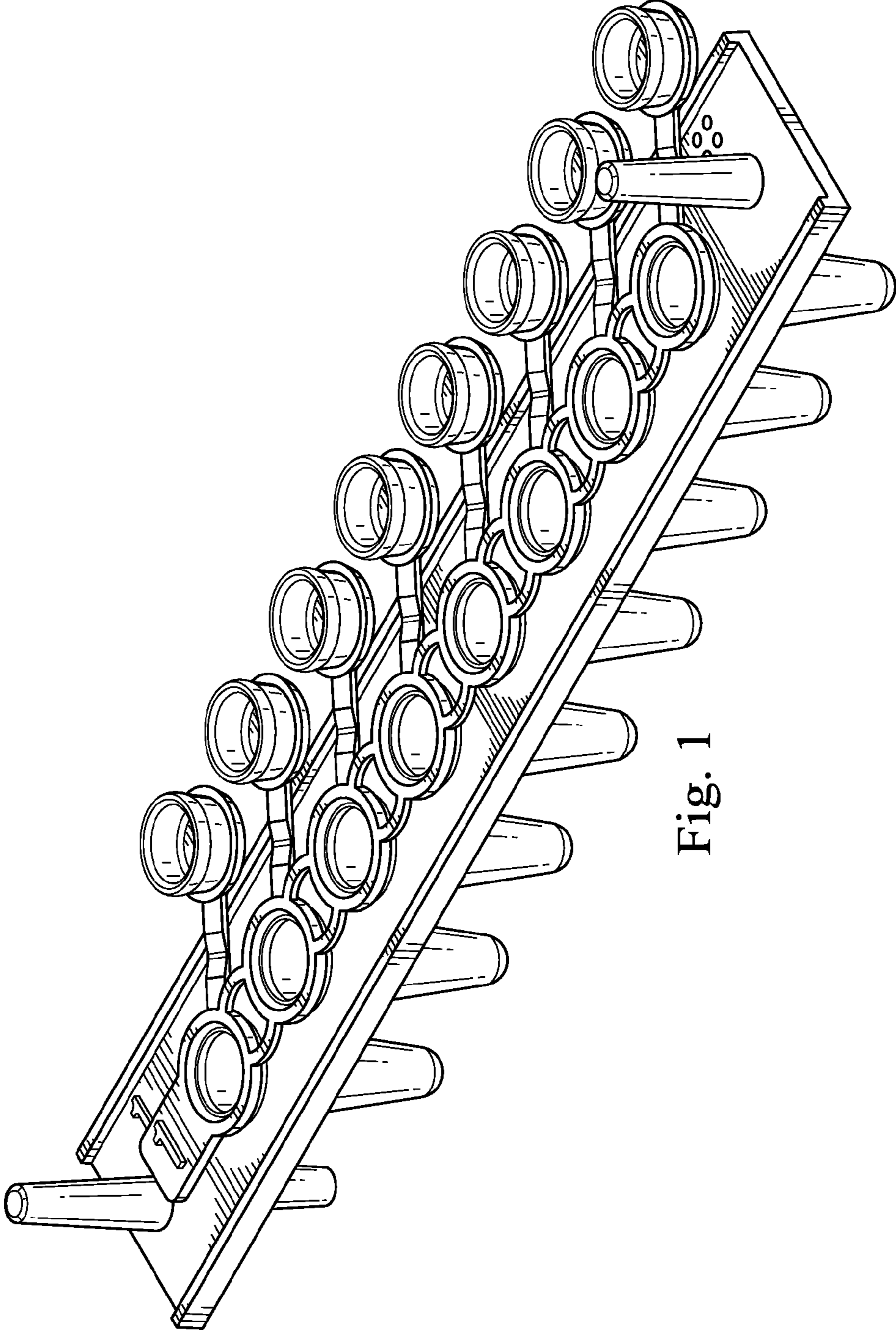


Fig. 1

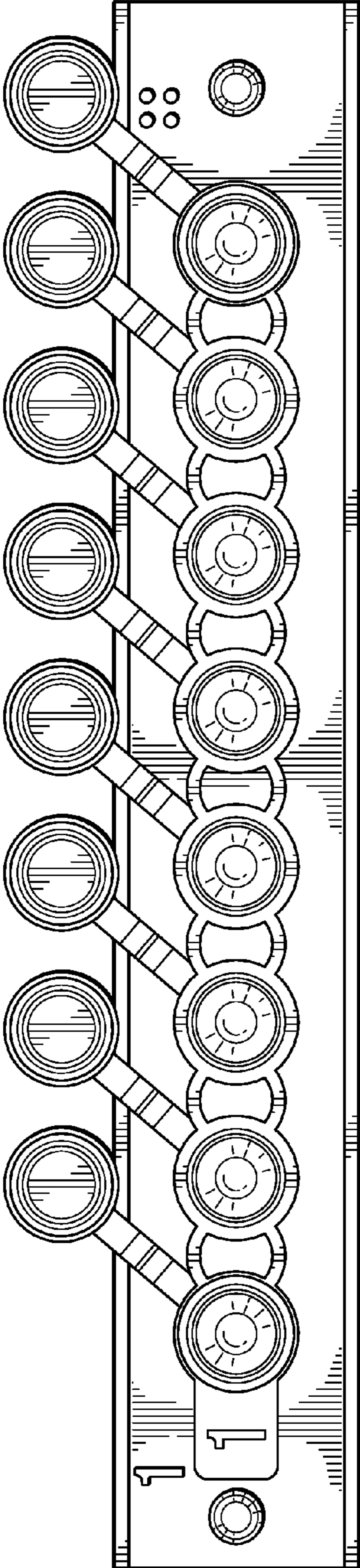


Fig. 2

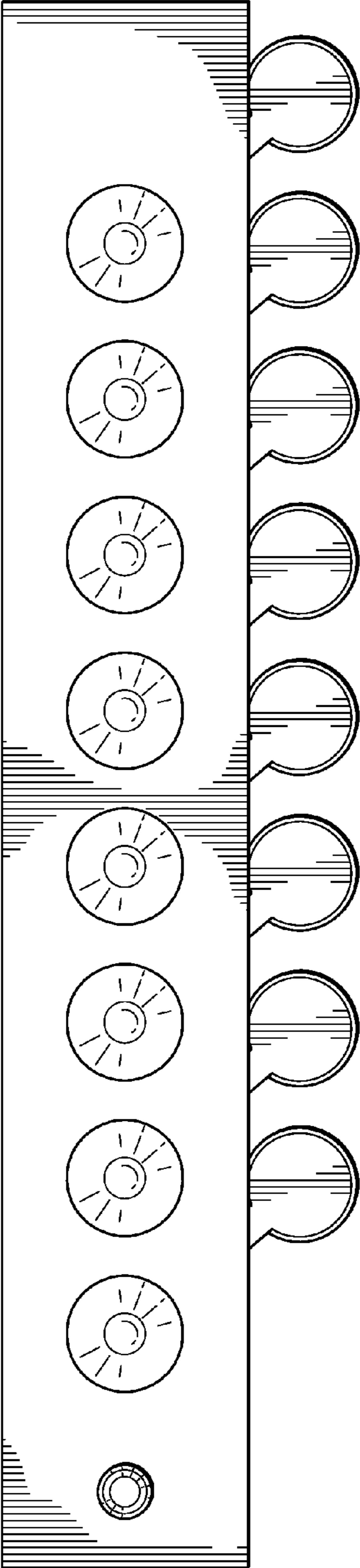


Fig. 3

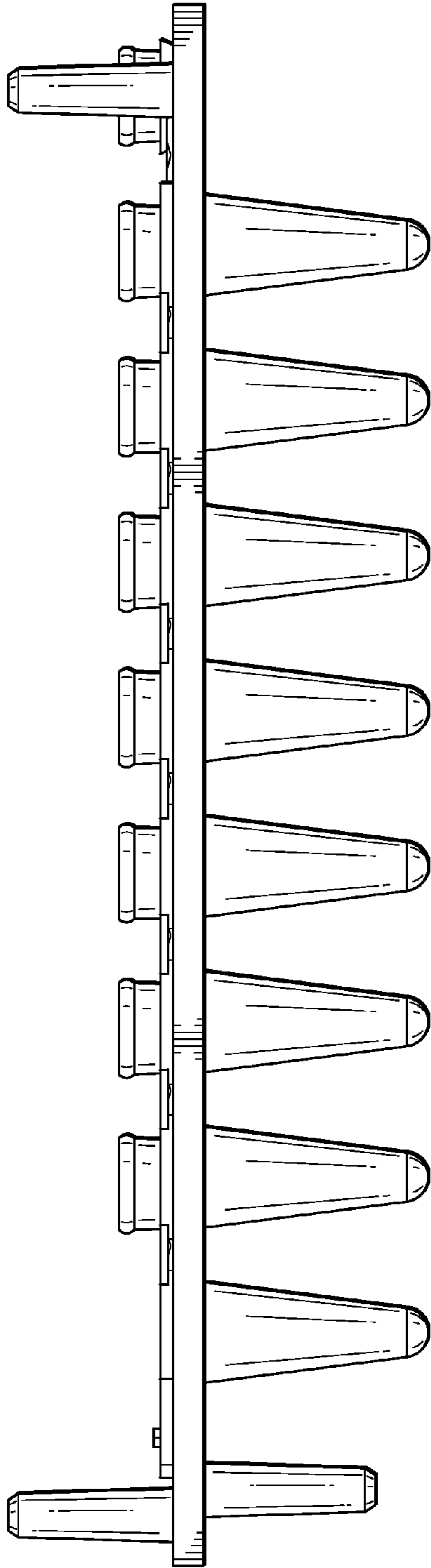


Fig. 4

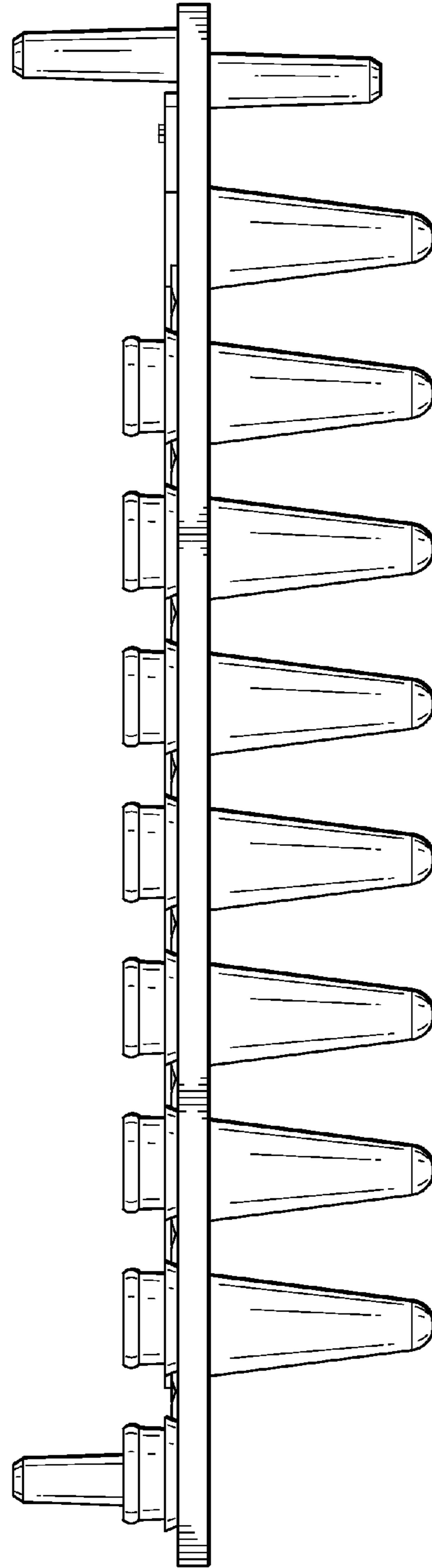


Fig. 5

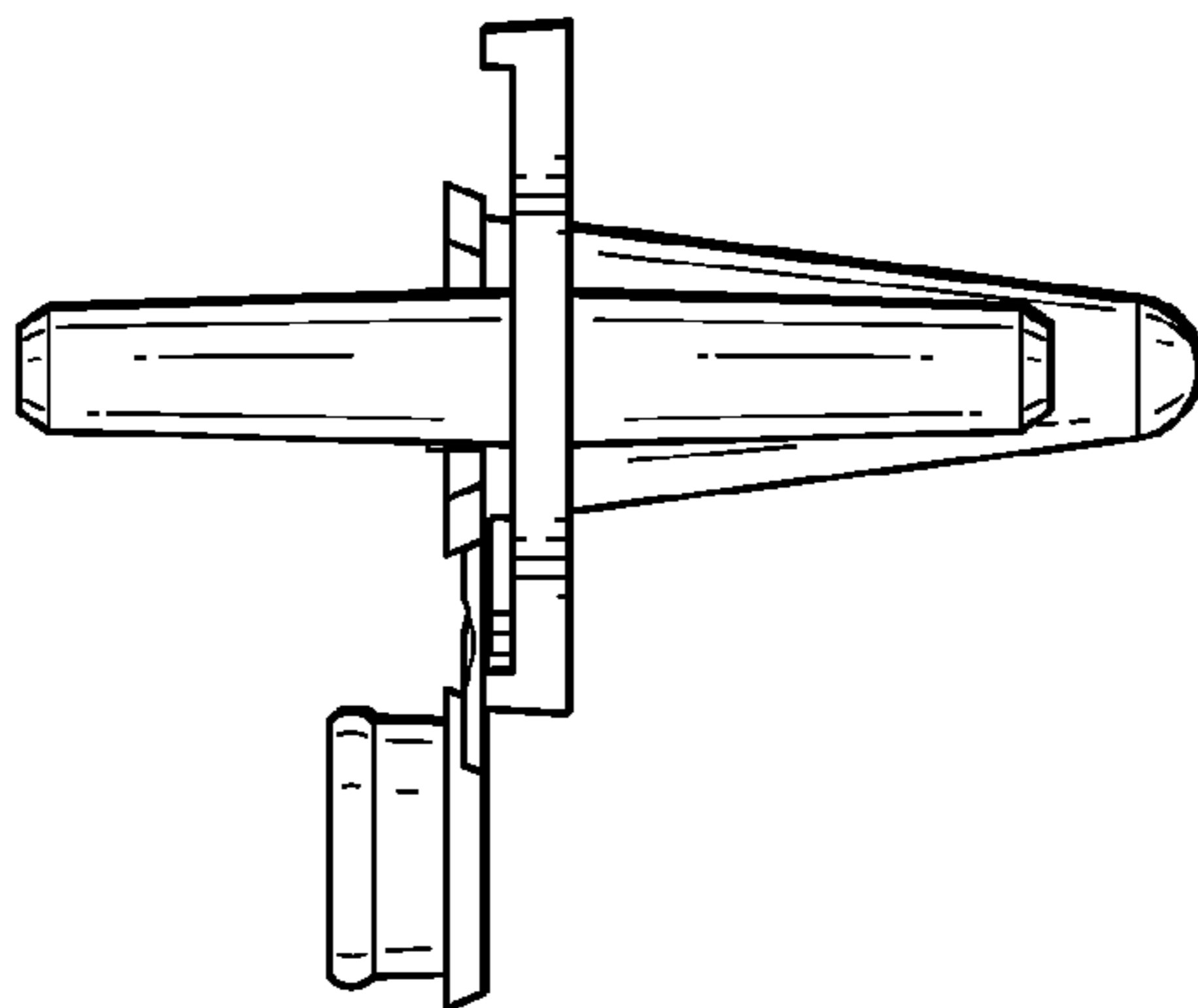


Fig. 7

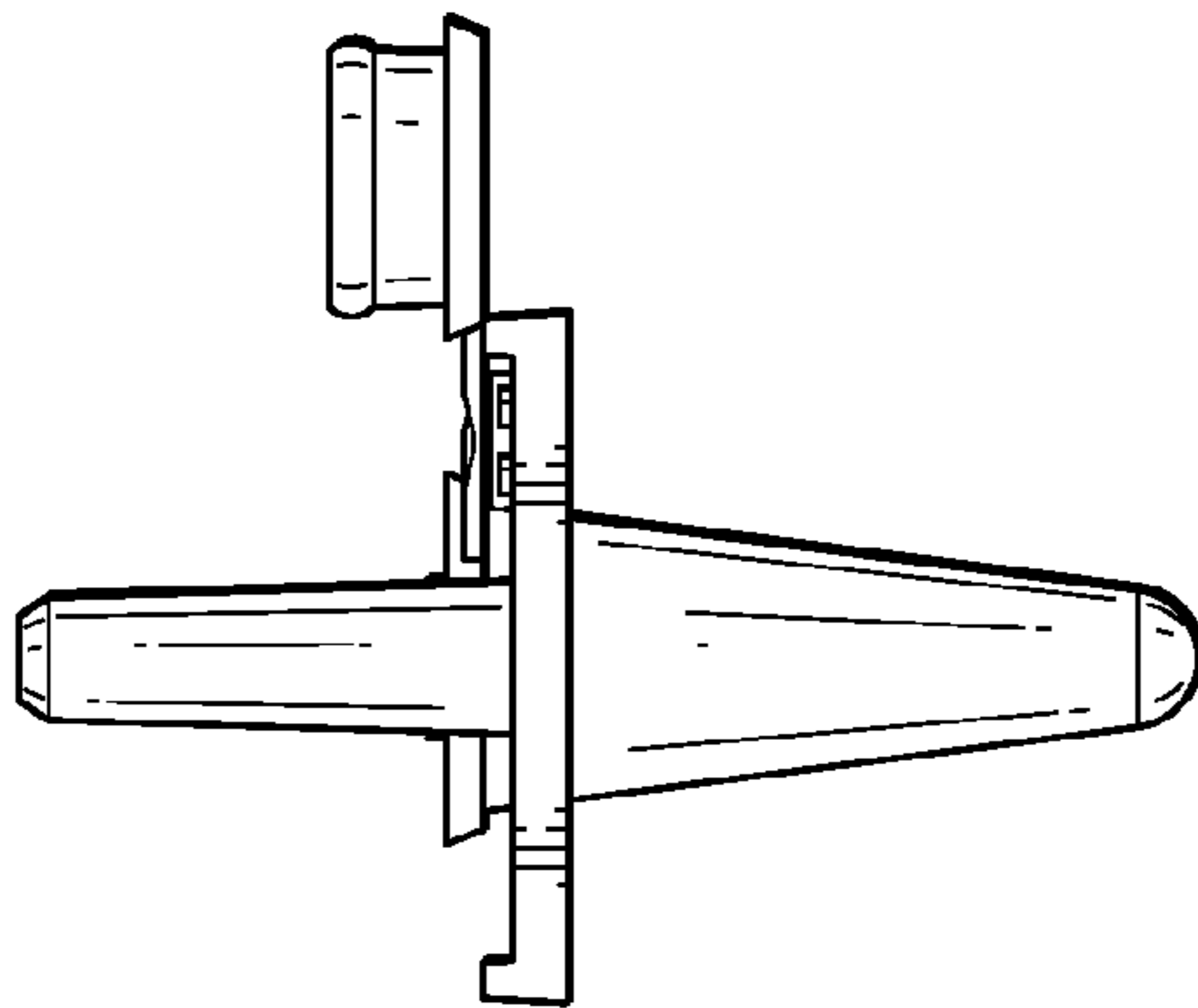


Fig. 6

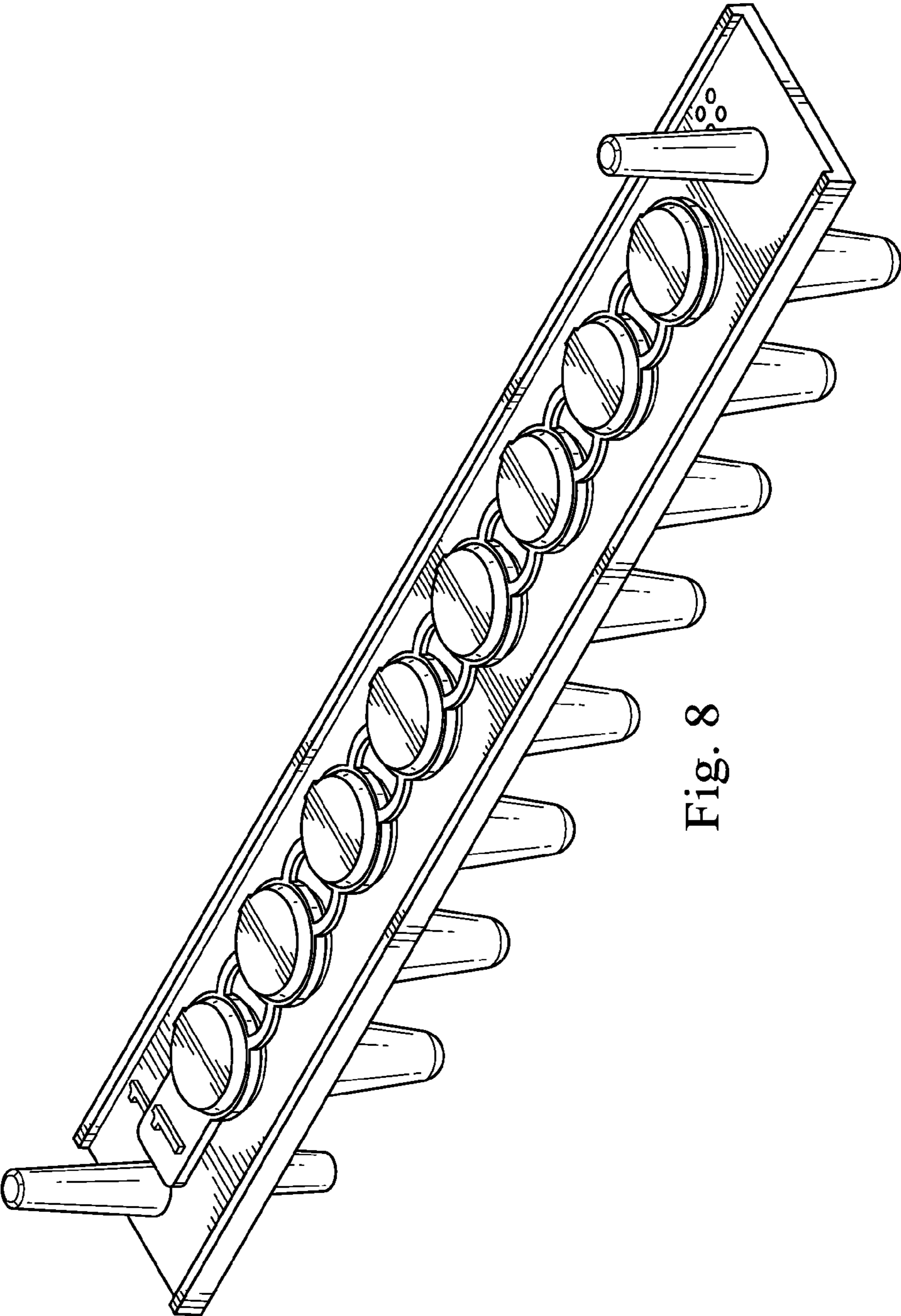


Fig. 8