



US00D718464S

(12) **United States Design Patent**
Schroer et al.

(10) **Patent No.:** **US D718,464 S**
(45) **Date of Patent:** **** Nov. 25, 2014**

(54) **MAGNETIC STIRRER**

(71) Applicant: **IKA-Werke GmbH & Co. KG**, Staufen (DE)

(72) Inventors: **Erhard Schroer**, Ulm (DE); **Sebastian Wiegert**, Freiburg (DE)

(73) Assignee: **IKA-Werke GmbH & Co. KG**, Staufen (DE)

(**) Term: **14 Years**

(21) Appl. No.: **29/480,836**

(22) Filed: **Jan. 30, 2014**

604/134, 137, 708; 83/873, 875, 86, 120;
601/19, 22, 27-29, 39, 104, 135;
606/71, 74, 321, 327; 206/63.3, 366,
206/369, 370, 380, 382, 383, 388;
D23/209, 365; 241/168, 169, 169.1,
241/0.2, 199.11, 273.2, 286, 262, 136, 30;
134/158

See application file for complete search history.

(56) **References Cited**

U.S. PATENT DOCUMENTS

D205,416 S * 8/1966 Gulotta D24/220
D244,379 S 5/1977 Moon

(Continued)

OTHER PUBLICATIONS

http://www.fisherbiotec.com.au/shop/product/magnetic_stirrer/228.

(Continued)

Primary Examiner — Ian Simmons

Assistant Examiner — Rhea Shields

(74) *Attorney, Agent, or Firm* — Volpe and Koenig, P.C.

(57) **CLAIM**

The ornamental design for a magnetic stirrer, as shown and described.

DESCRIPTION

FIG. 1 is a top, front, right perspective view of a magnetic stirrer in accordance with my design;
FIG. 2 is a front elevational view thereof;
FIG. 3 is a rear elevational view thereof;
FIG. 4 is a right side elevational view thereof;
FIG. 5 is a left side elevational view thereof;
FIG. 6 is a top plan view thereof; and,
FIG. 7 is a bottom view thereof.

The broken lines shown form no part of the claimed design.

1 Claim, 6 Drawing Sheets

Related U.S. Application Data

(62) Division of application No. 29/420,236, filed on May 7, 2012, now Pat. No. Des. 701,616.

(30) **Foreign Application Priority Data**

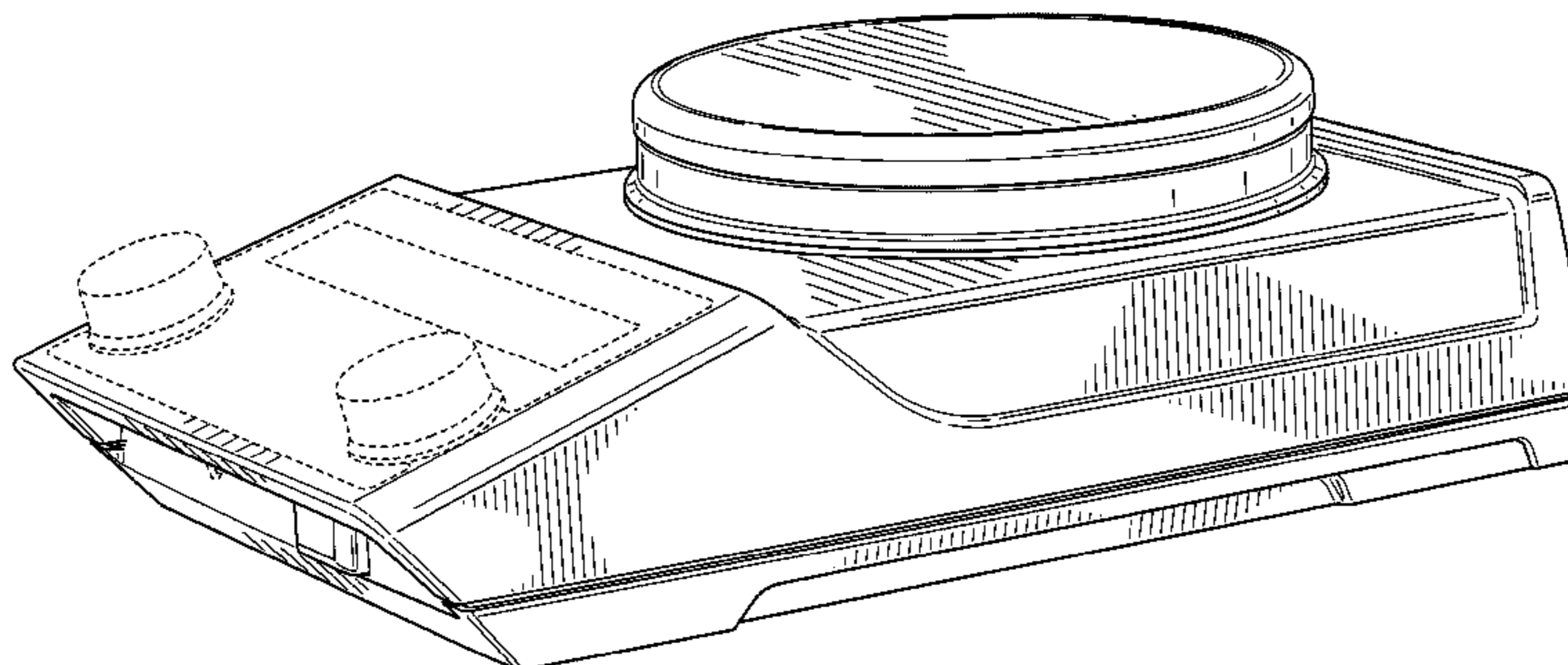
Feb. 17, 2012 (WO) DM/077 723

(51) **LOC (10) Cl.** **24-00**

(52) **U.S. Cl.**
USPC **D24/220**

(58) **Field of Classification Search**

USPC D24/420, 423, 171, 170, 221, 231, 219,
D24/216, 214, 213, 212, 199, 108, 110,
D24/110.5, 121, 125, 127, 128, 129, 140,
D24/226, 227, 229, 218, 215, 142, 178, 181,
D24/190, 192, 191, 146-149, 153, 154, 220,
D24/224, 232, 197, 133; D10/114.9, 121,
D10/46, 46.1, 64, 78, 80, 85, 94, 103;
D2/919, 916, 932, 907, 909, 913, 917,
D2/920, 954, 989, 991; D18/53; D28/35,
D28/37, 39, 43, 99; D9/420, 423; D7/372,
D7/384, 679, 682, 374, 383, 597, 400, 191,
D7/545, 509, 316, 565, 667, 317, 587;
422/63, 68.1, 78; 433/140; 128/857,
128/206.29; 604/184, 185, 218, 207, 198,



(56)

References Cited

U.S. PATENT DOCUMENTS

D258,085 S 1/1981 Porteous
D270,371 S * 8/1983 Lee et al. D24/220
D364,249 S * 11/1995 Cannata-Nowell D28/99
D426,312 S 6/2000 Gomes
D511,367 S * 11/2005 Bowling D22/126
D569,988 S 5/2008 Koop
D596,309 S 7/2009 Tien et al.
D660,453 S 5/2012 Jani et al.

D701,616 S * 3/2014 Schroer et al. D24/220
2011/0103175 A1 5/2011 Waldmann et al.
2011/0165023 A1 7/2011 Eble

OTHER PUBLICATIONS

<http://www.velp.com/en/products/lines/3/family/38/>.
<http://www.dhgate.com/product/vortexers-vortex-mixer-133025270.html>.
[http://www.labunlimited.com/Online-Shop/Laboratory/Stirring-Shaking-Mixing/Magnetic](http://www.labunlimited.com/Online-Shop/Laboratory/Stirring-Shaking-Mixing/Magnetic...)

* cited by examiner

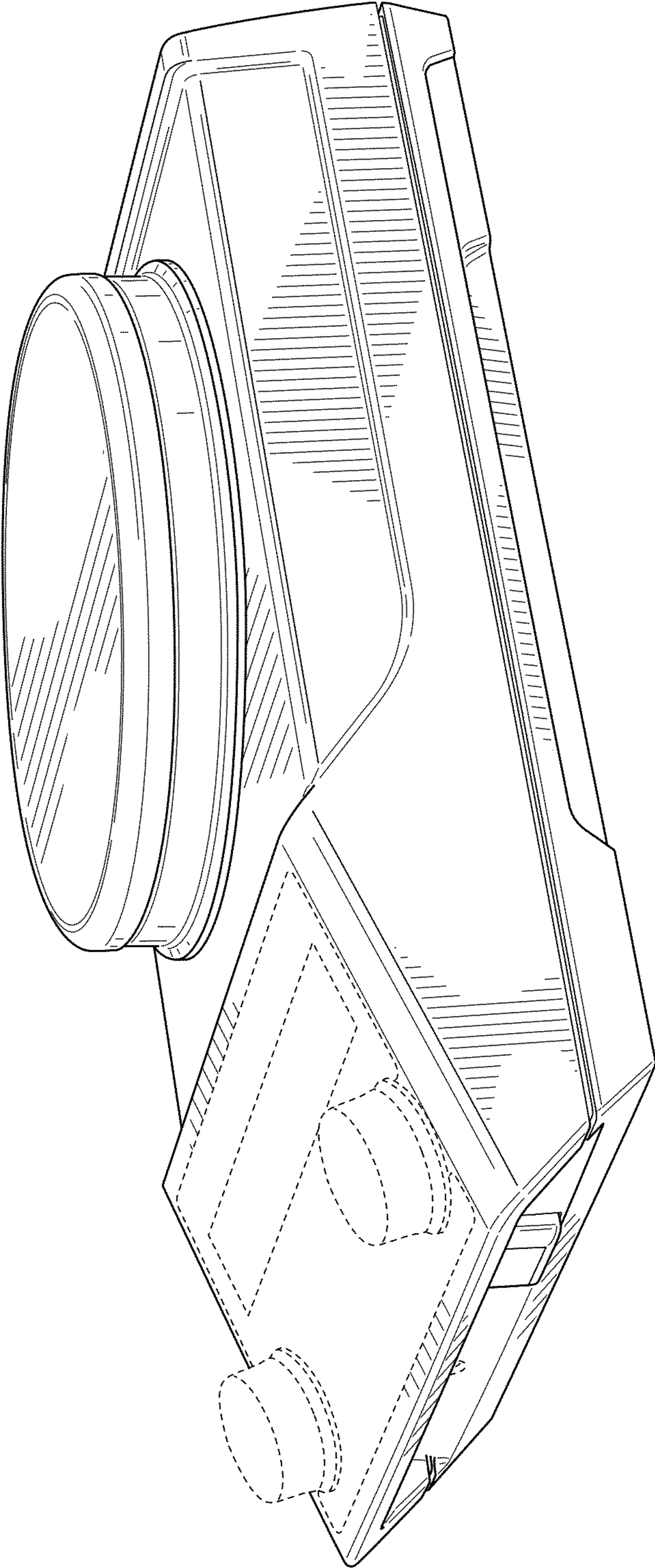


Fig. 1

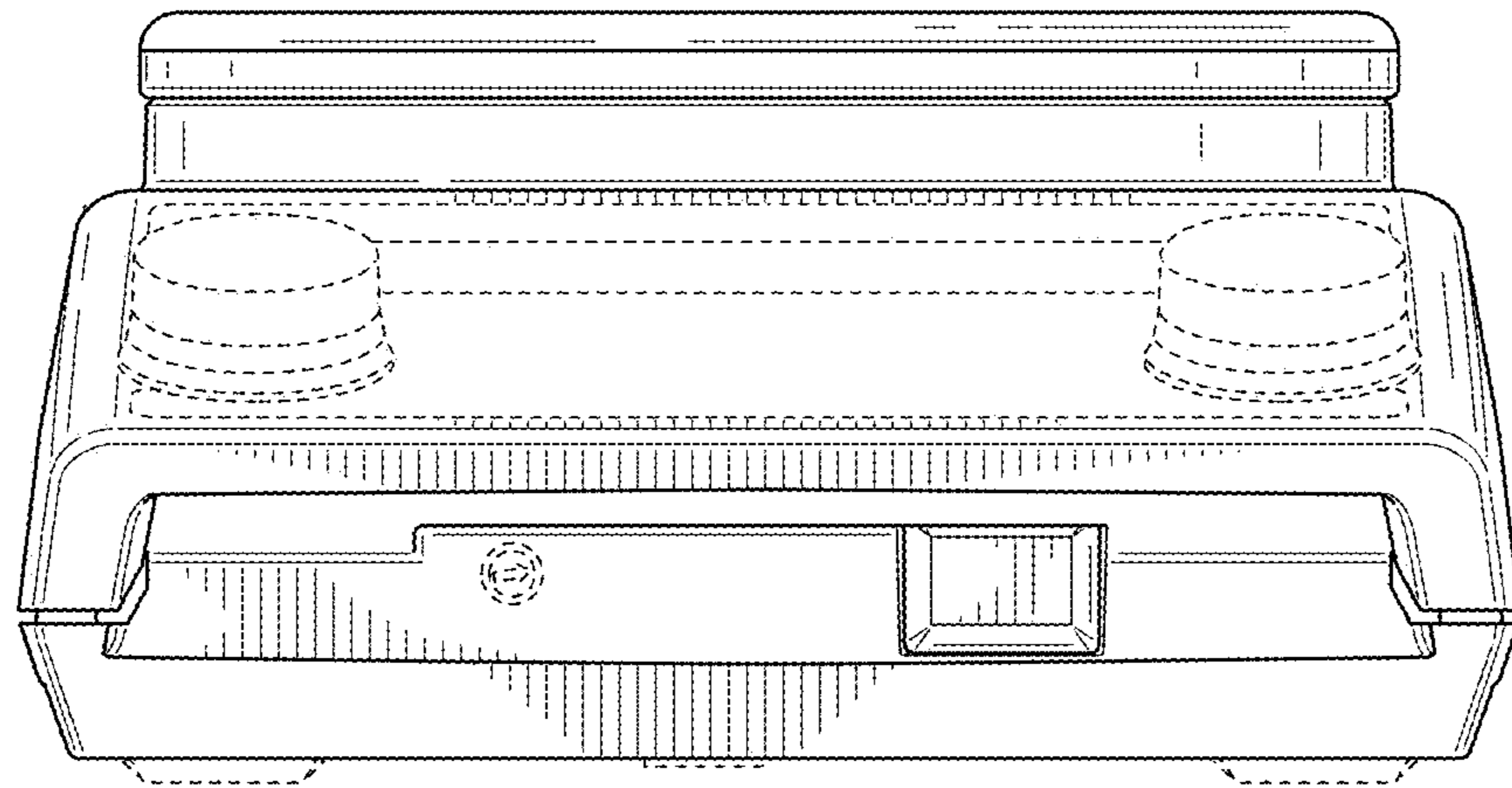


Fig. 2

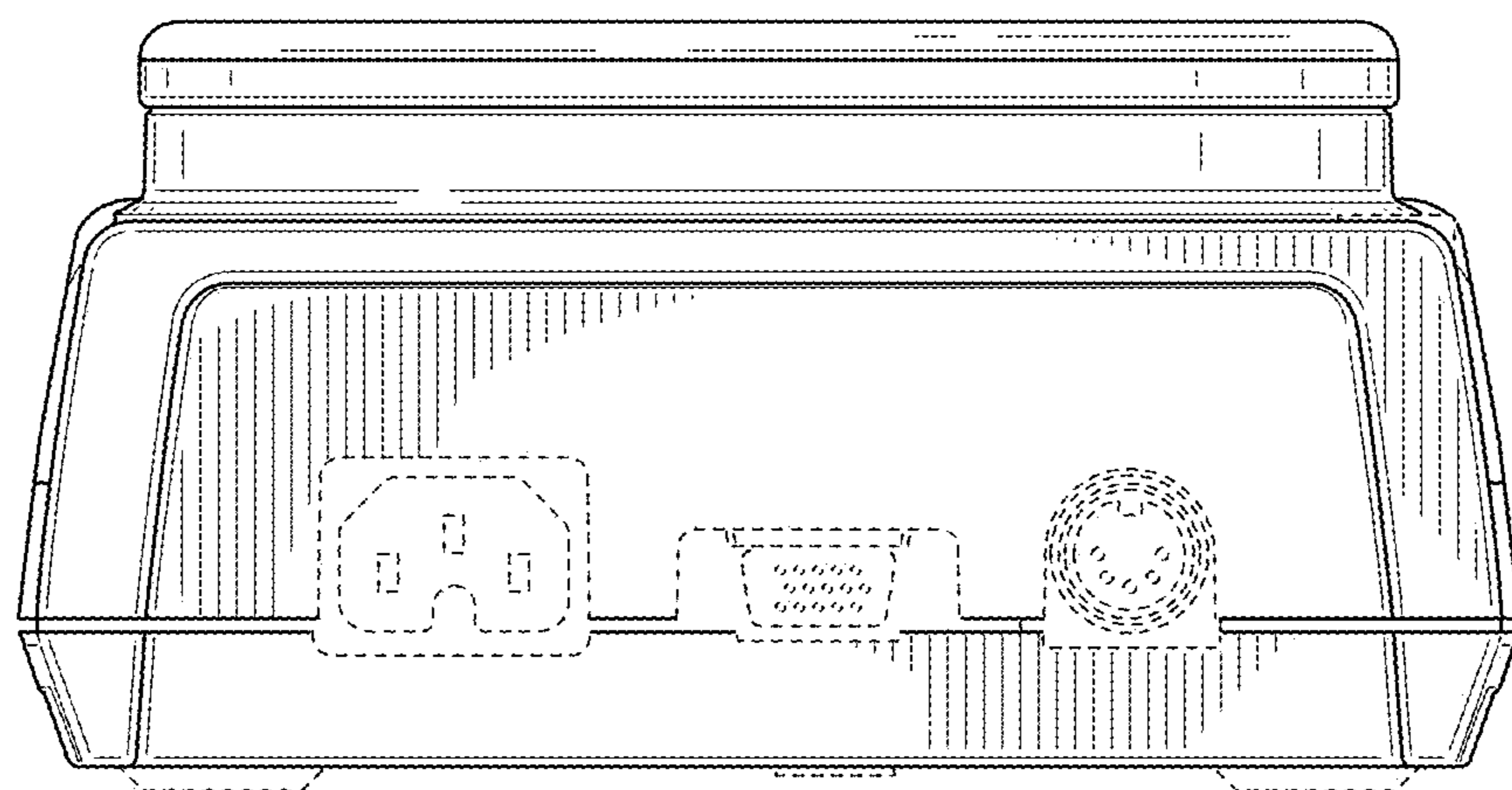


Fig. 3

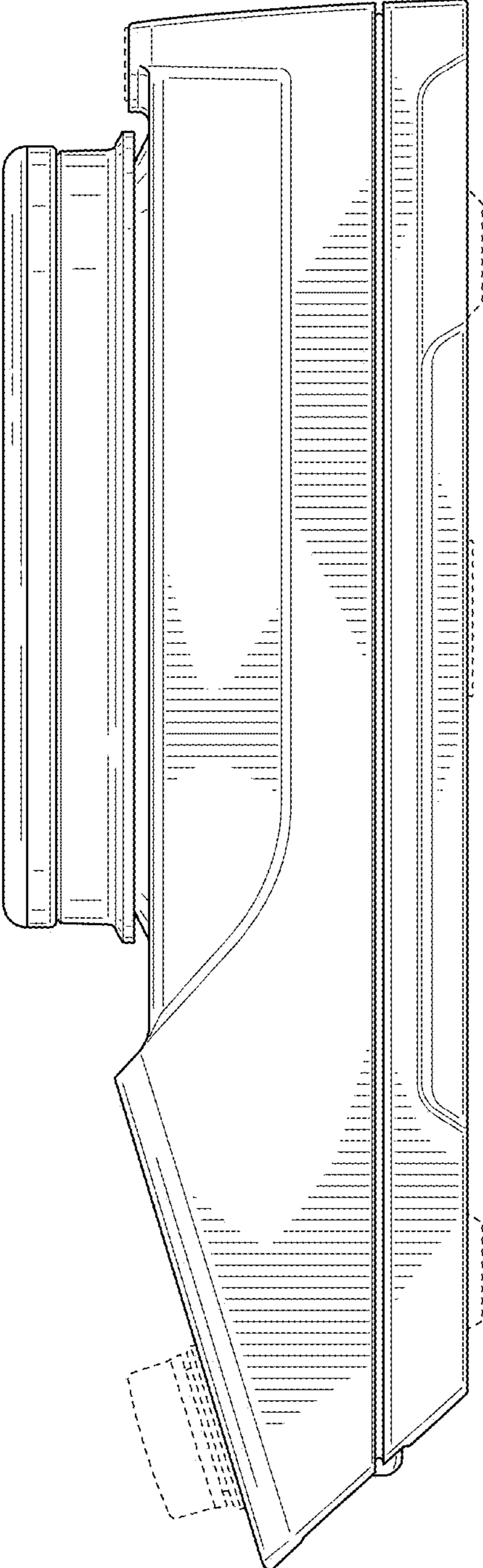


Fig. 4

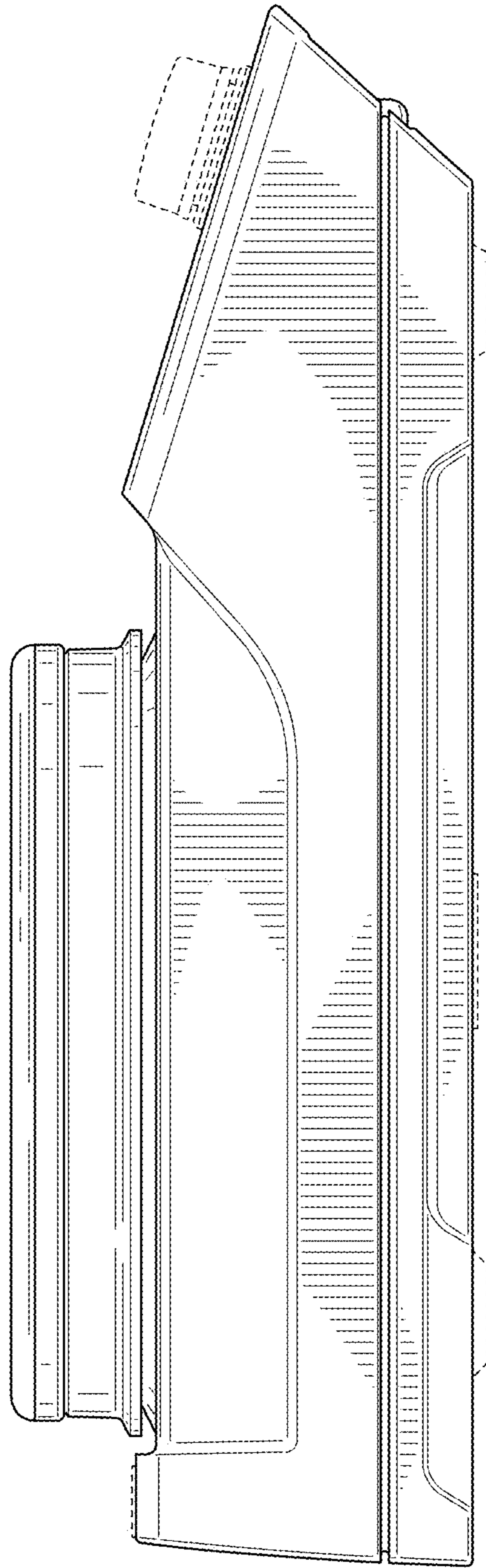


Fig. 5

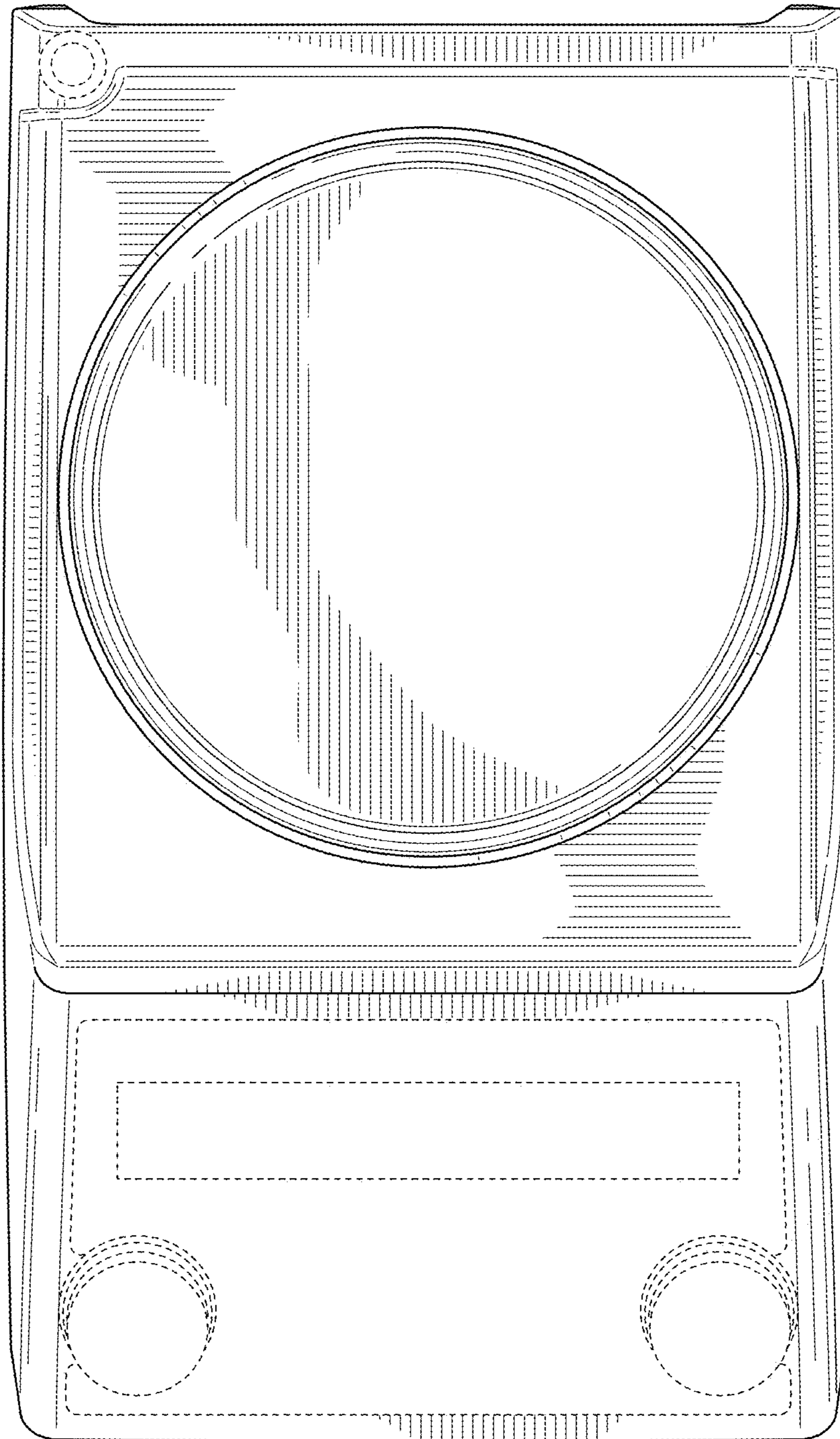


Fig. 6

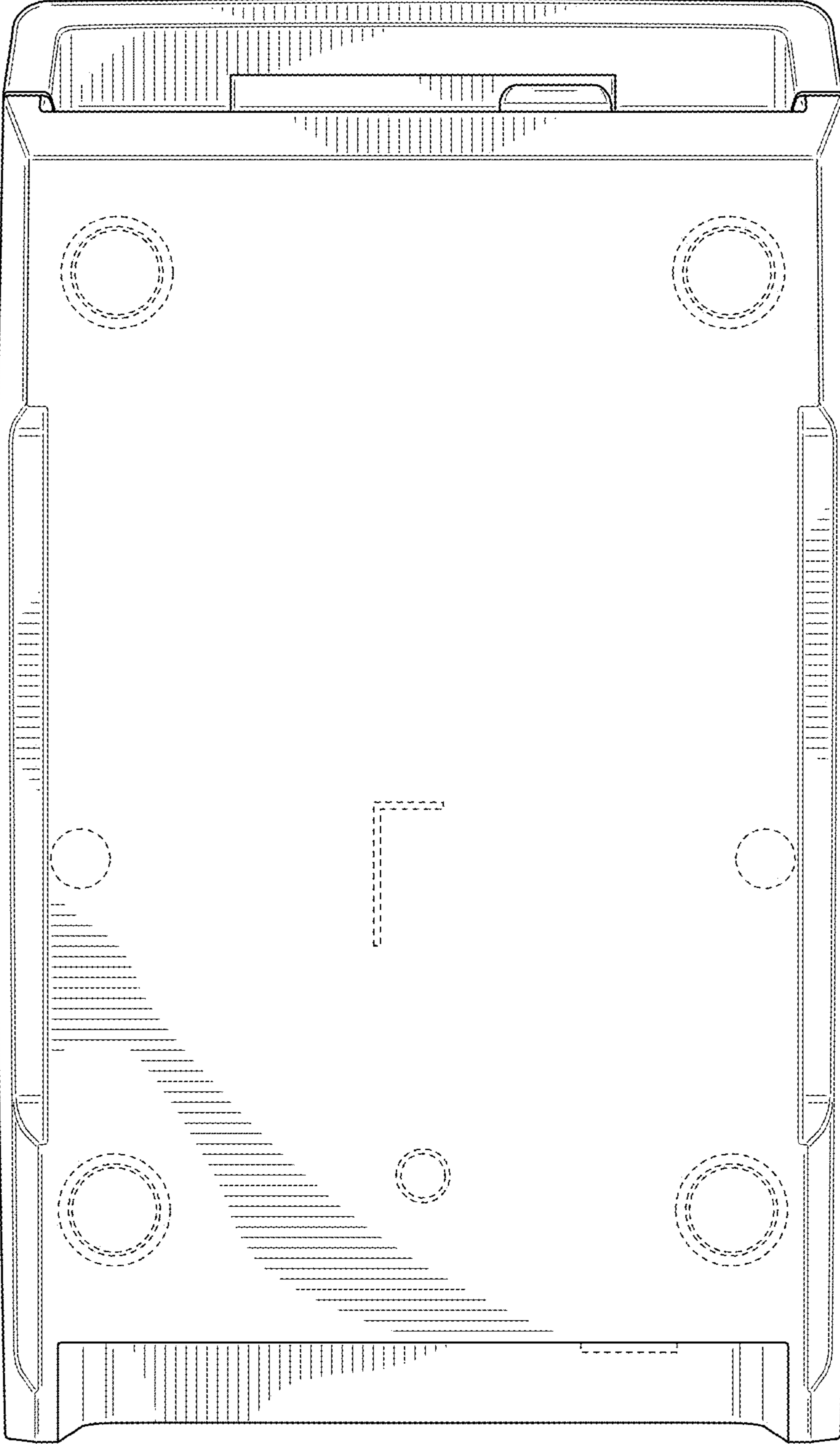


Fig. 7