



US00D718463S

(12) **United States Design Patent**
Henderson et al.

(10) **Patent No.:** **US D718,463 S**

(45) **Date of Patent:** **** Nov. 25, 2014**

(54) **CENTRIFUGE**

(71) Applicant: **The Drucker Company**, Philipsburg,
PA (US)

(72) Inventors: **Anthony J. Henderson**, State College,
PA (US); **Steven Hudson**, Bellwood, PA
(US); **Thomas Mallison**, State College,
PA (US); **Kenneth Moscone, Jr.**, Port
Matilda, PA (US); **Kenneth Moscone,
Sr.**, Port Matilda, PA (US); **Craig Stout**,
Port Matilda, PA (US); **Jason Stout**,
State College, PA (US)

(73) Assignee: **The Drucker Company**, Philipsburg,
PA (US)

(**) Term: **14 Years**

(21) Appl. No.: **29/439,637**

(22) Filed: **Dec. 13, 2012**

(51) **LOC (10) Cl.** **24-01**

(52) **U.S. Cl.**
USPC **D24/219**

(58) **Field of Classification Search**
USPC D24/216, 219, 186, 231, 232; D10/81;
422/62-65, 67, 68.1, 70, 72, 500;
435/287.1; 436/43, 45, 47, 177

See application file for complete search history.

(56) **References Cited**

U.S. PATENT DOCUMENTS

D415,840 S * 10/1999 Lamond et al. D24/219
6,153,148 A * 11/2000 Thomas 422/72
D617,909 S * 6/2010 Taniguchi et al. D24/219
D663,041 S * 7/2012 Henssler et al. D24/219
2007/0004577 A1 * 1/2007 Lederer 494/20

* cited by examiner

Primary Examiner — Anhdao Doan

(74) *Attorney, Agent, or Firm* — McNees Wallace & Nurick
LLC

(57) **CLAIM**

The ornamental design for a centrifuge, as shown and
described.

DESCRIPTION

FIG. 1 shows a perspective view of a centrifuge according to
the present invention.

FIG. 2 shows a front view thereof.

FIG. 3 shows a rear view thereof.

FIG. 4 shows a top view thereof.

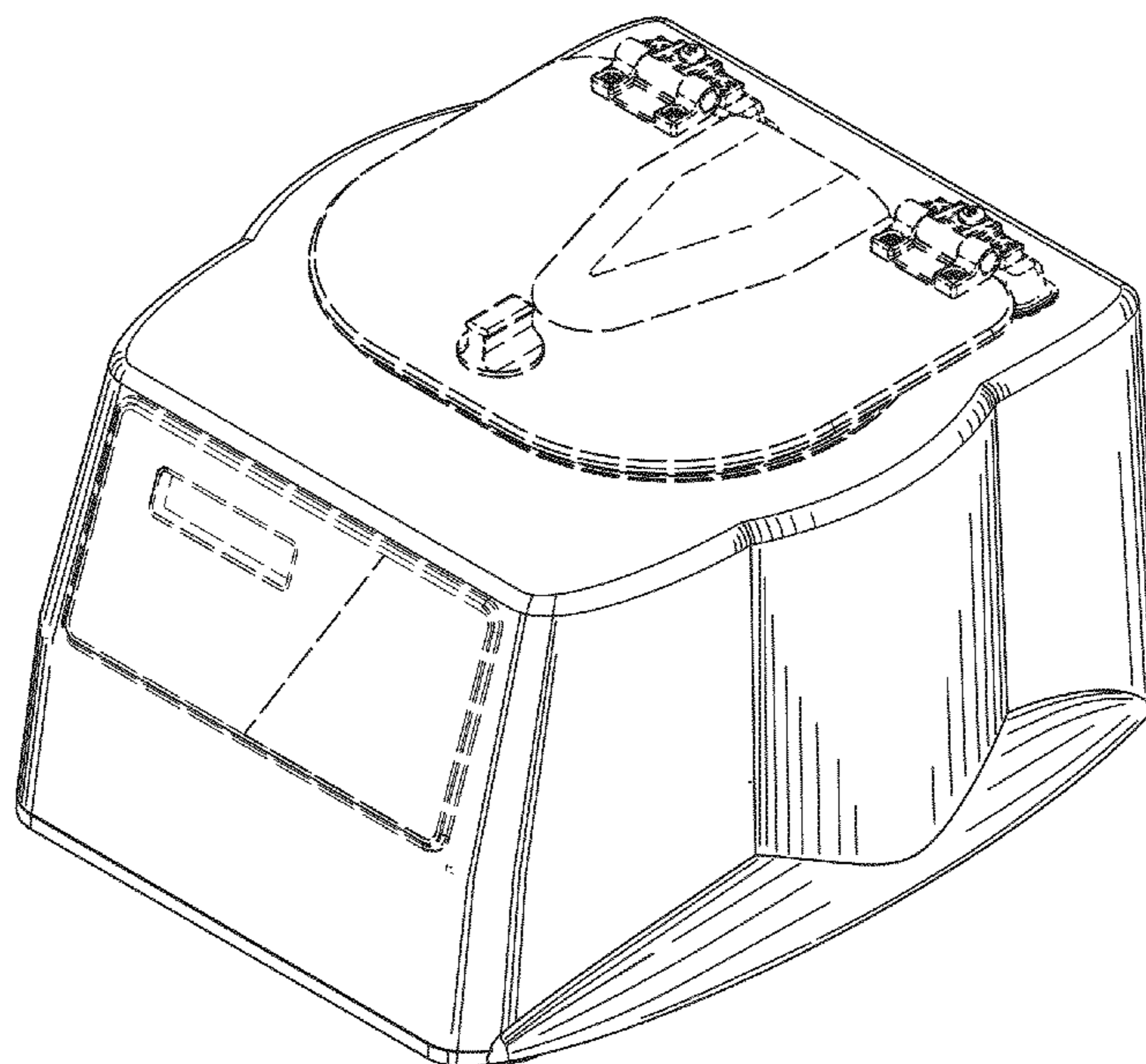
FIG. 5 shows a bottom view thereof.

FIG. 6 shows a first side view thereof; and,

FIG. 7 shows a second side view thereof.

The broken lines in the drawing views represent unclaimed
portions of the centrifuge and form no part of the claimed
design.

1 Claim, 4 Drawing Sheets



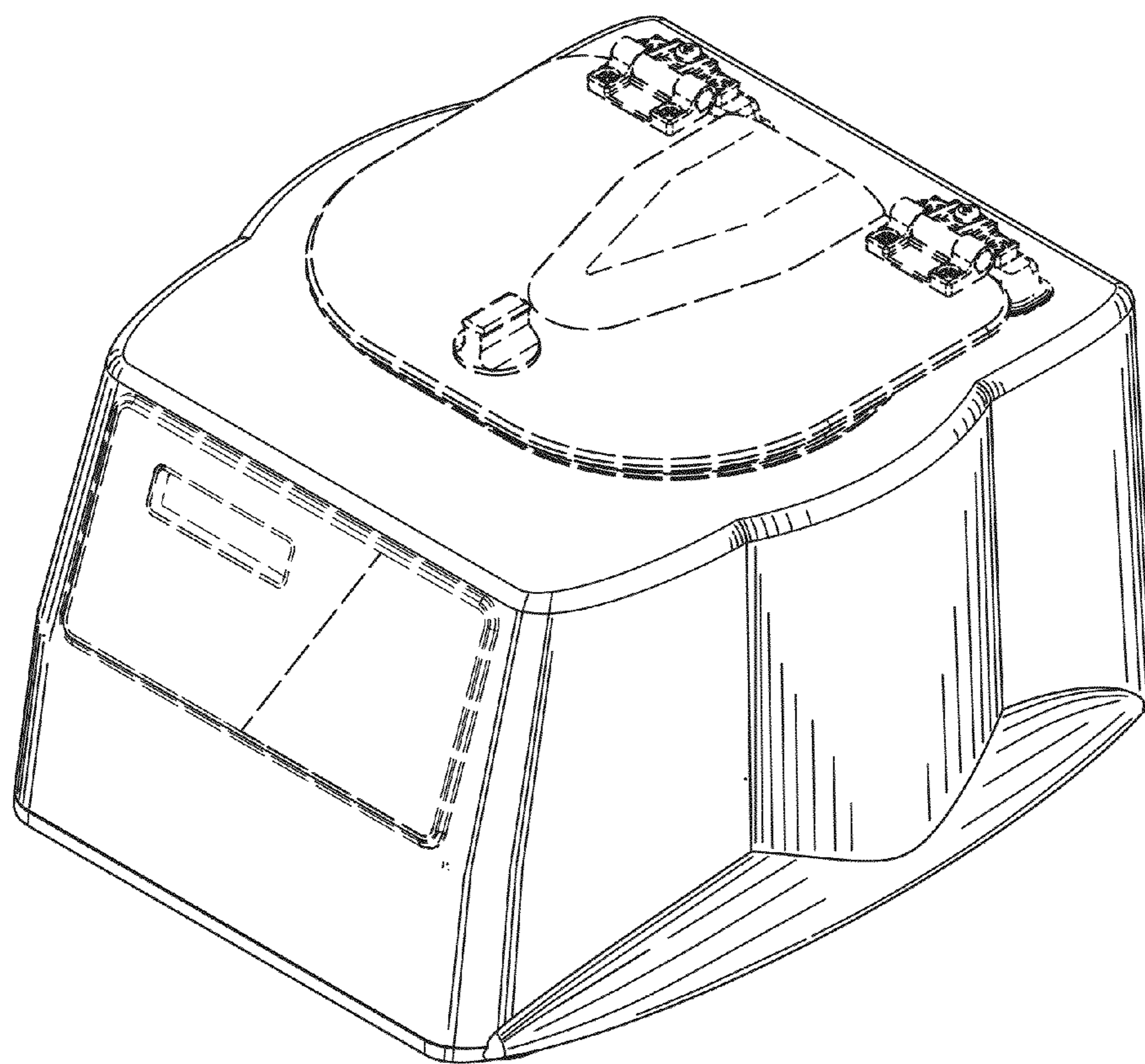


FIG. 1

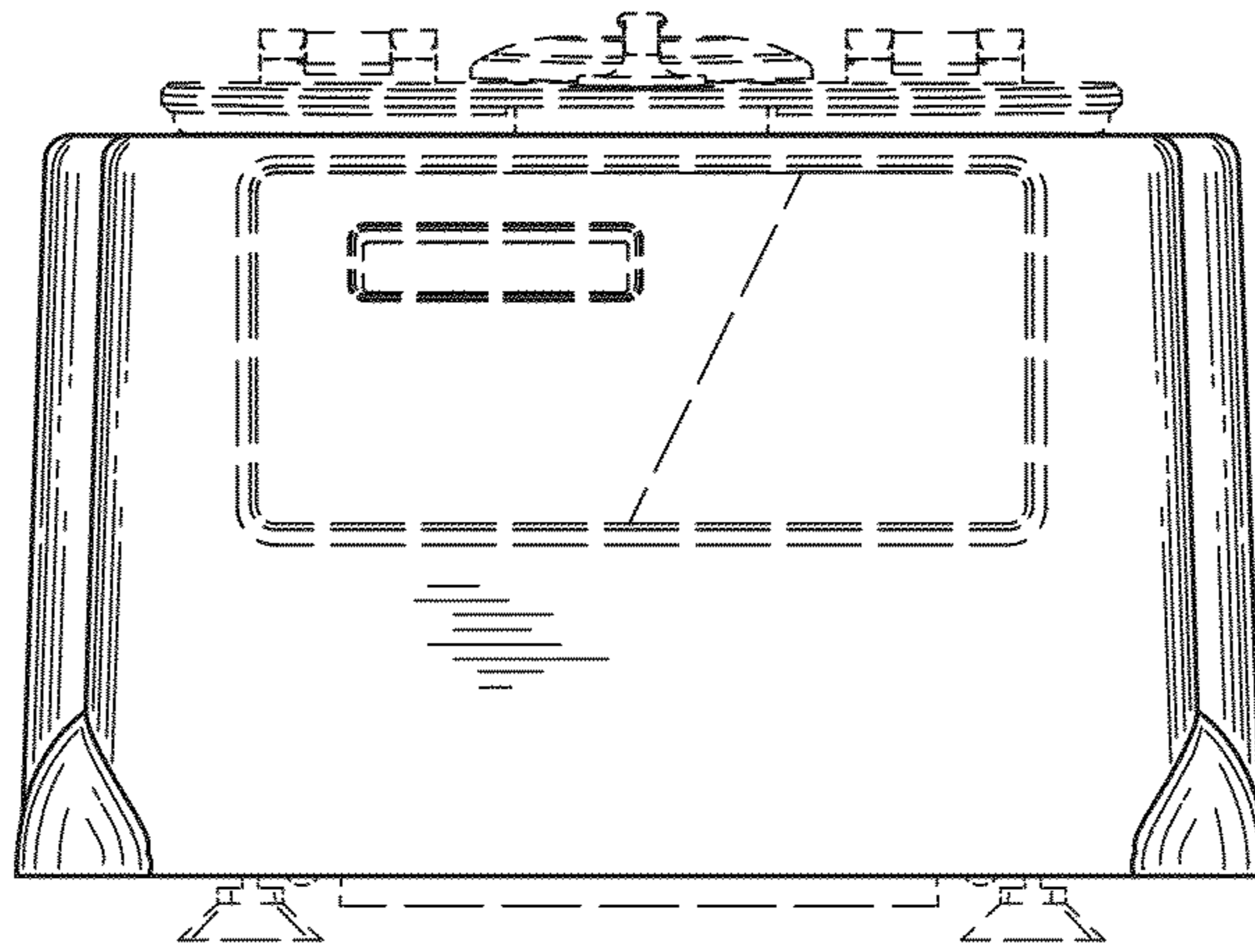


FIG. 2

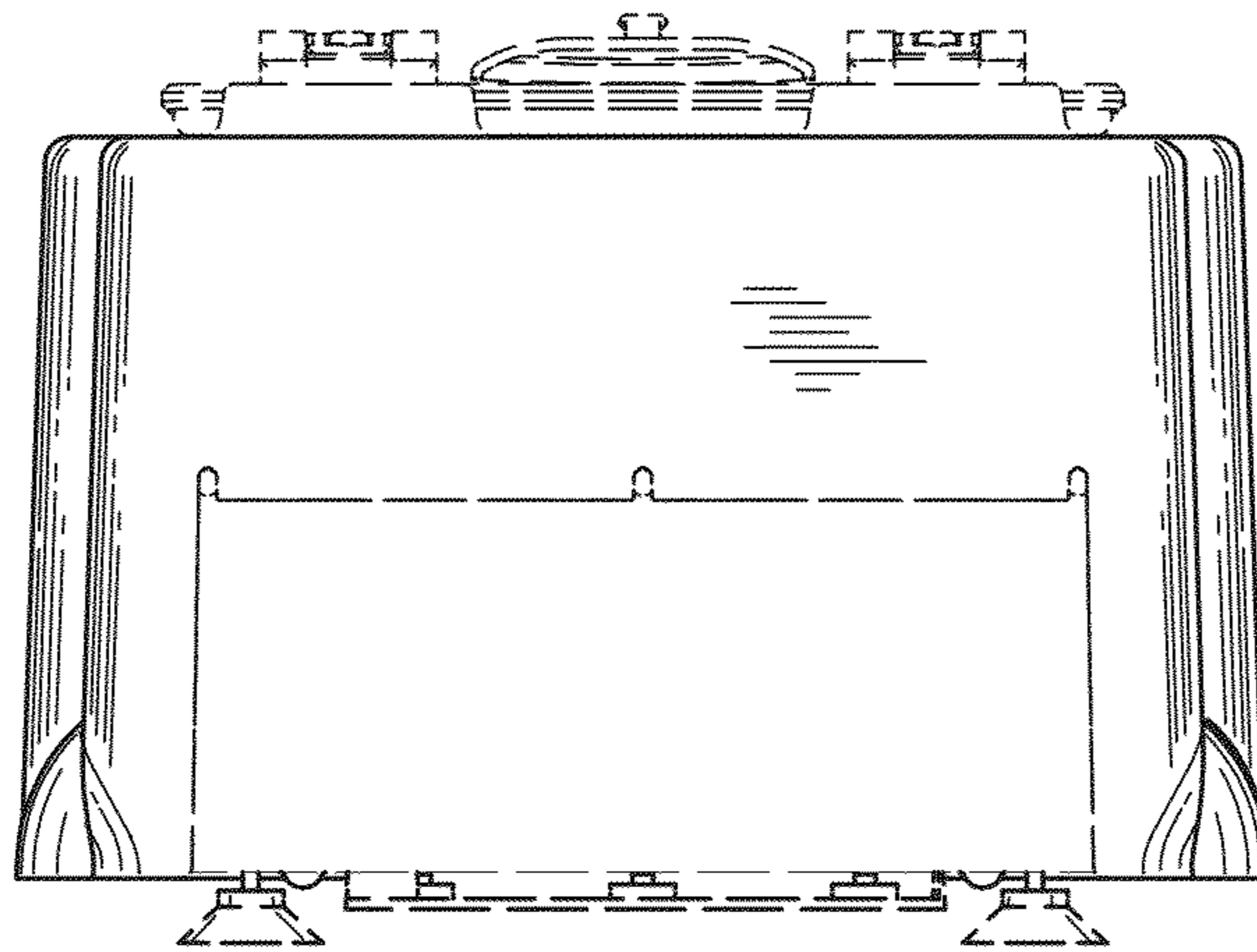


FIG. 3

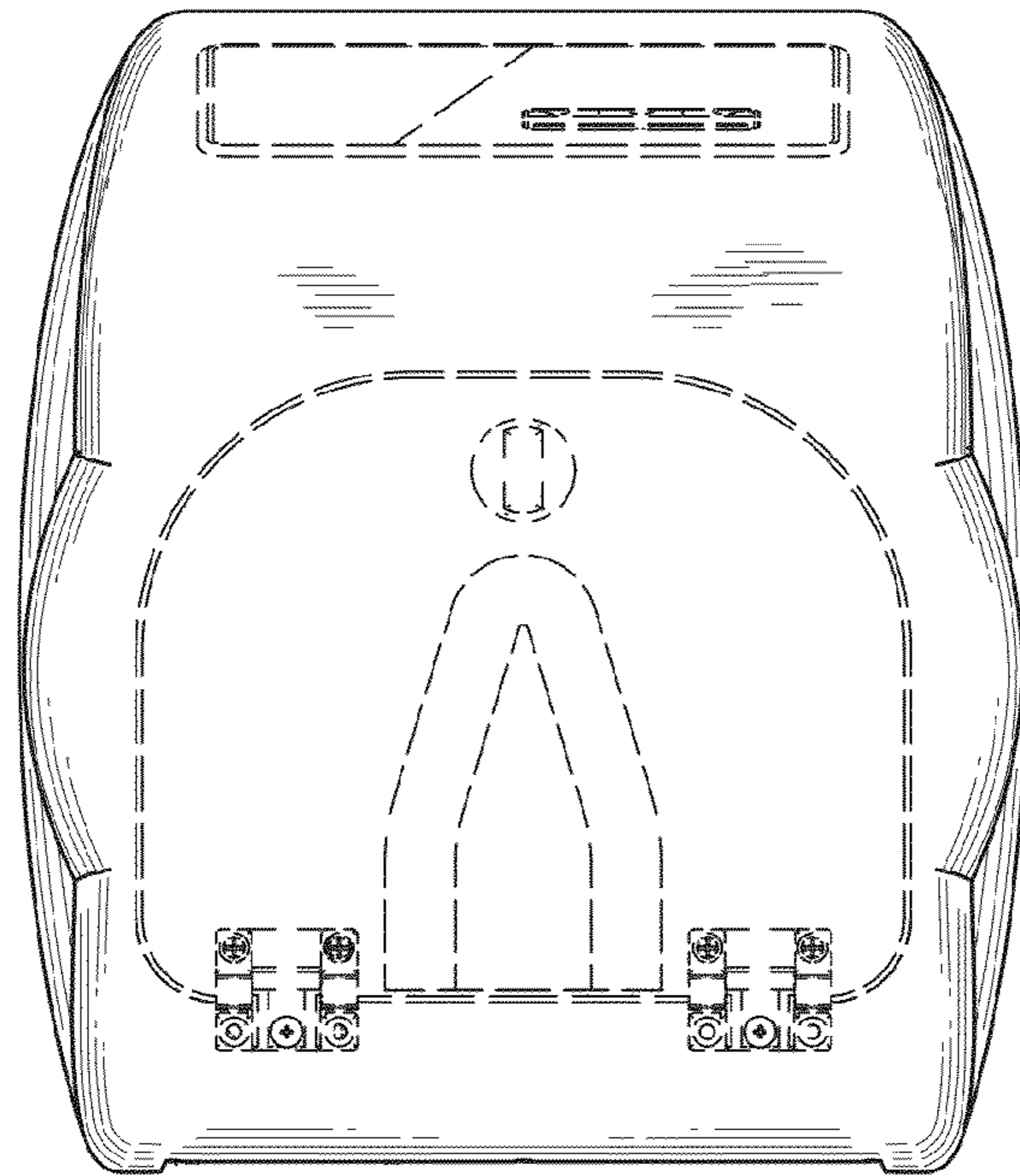


FIG. 4

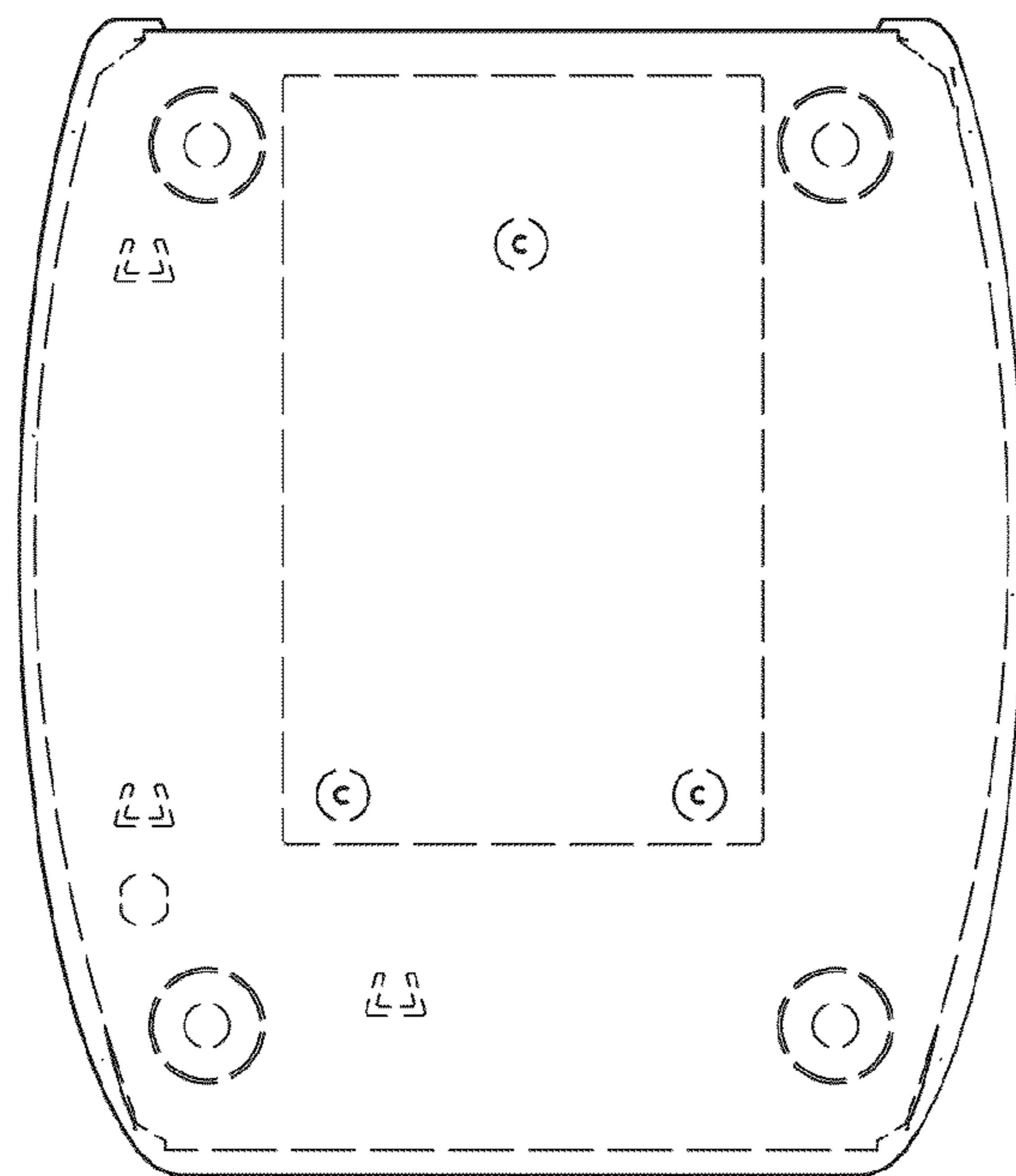


FIG. 5

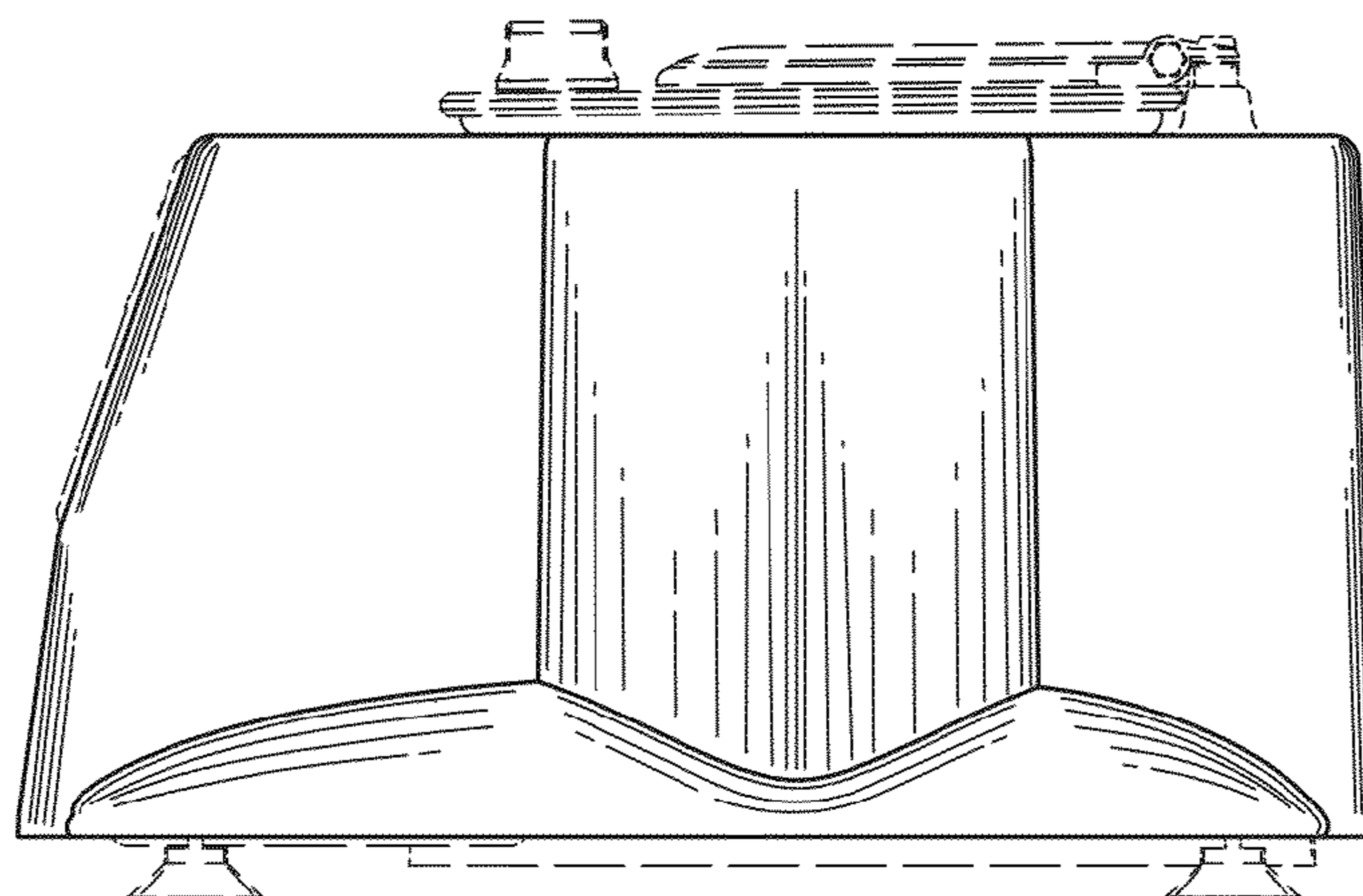


FIG. 6

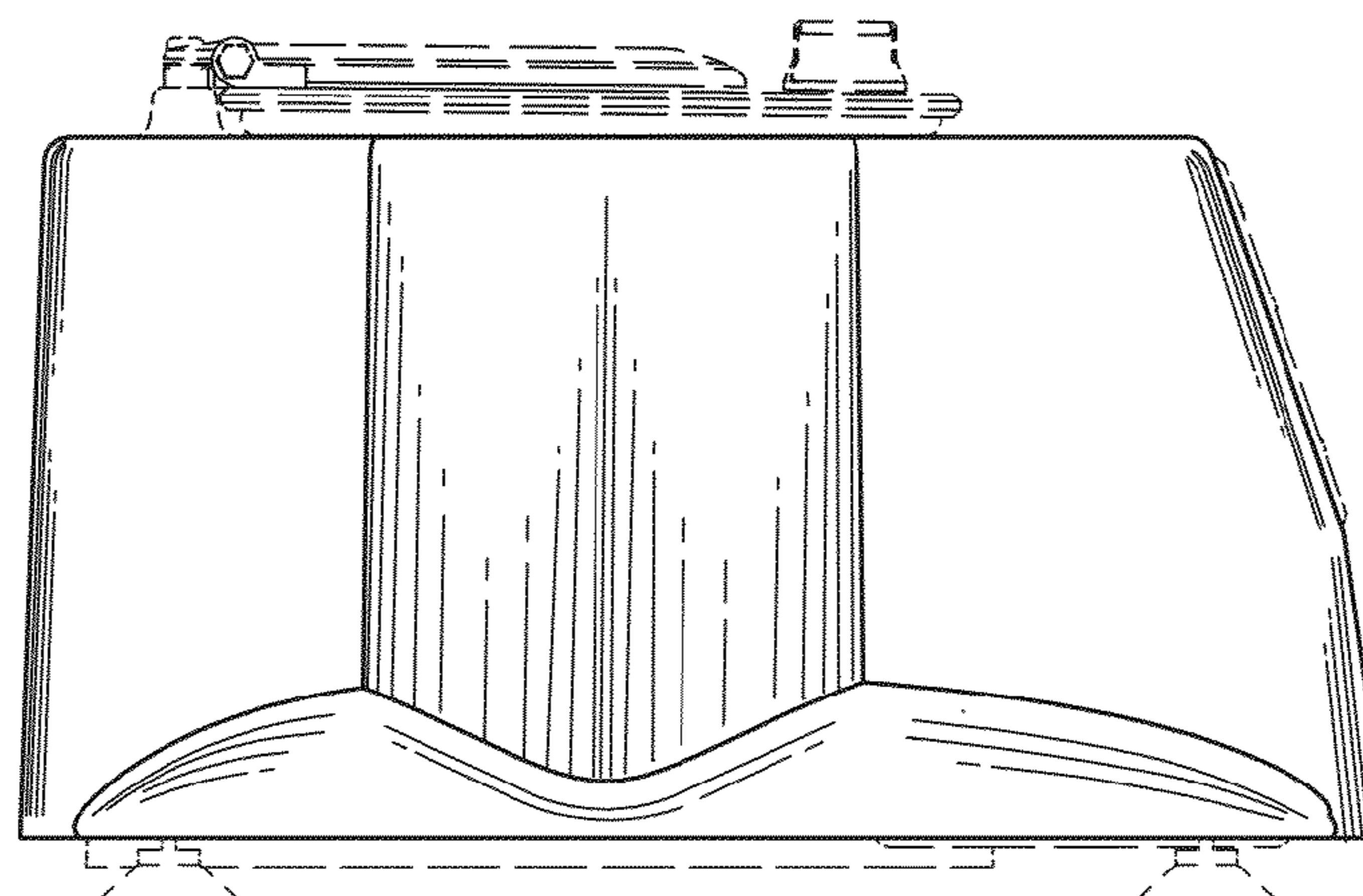


FIG. 7