



US00D718460S

(12) **United States Design Patent**  
**Bird et al.**

(10) **Patent No.:** **US D718,460 S**  
(45) **Date of Patent:** **\*\* Nov. 25, 2014**

(54) **FINGER VIBRATOR COVER**  
(71) Applicant: **FS Partners, LLC**, Las Vegas, NV (US)  
(72) Inventors: **Christina Penn Bird**, Las Vegas, NV (US); **Kalaeone Needham**, Las Vegas, NV (US); **Naomi Leialoha**, Las Vegas, NV (US)  
(73) Assignee: **FS Partners, LLC**, Las Vegas, NV (US)  
(\*\*) Term: **14 Years**

(21) Appl. No.: **29/478,667**  
(22) Filed: **Jan. 7, 2014**  
(51) **LOC (10) Cl.** ..... **28-03**  
(52) **U.S. Cl.**  
USPC ..... **D24/215**  
(58) **Field of Classification Search**  
CPC ..... A61H 19/30; A61H 19/32; A61H 19/34;  
A61H 19/40; A61H 19/44; A61H 19/50;  
A61H 19/00; A61H 2201/0153; A61H  
2201/0207; A61H 2201/0263; A61H  
2201/0111; A61H 2201/1253; A61H  
2205/082; A61H 2205/085; A61H 15/0085  
USPC ..... D24/200, 211, 212, 213, 214, 215;  
601/114, 120, 121, 124, 125, 130, 131,  
601/134, 135, 136, 137; D14/218  
See application file for complete search history.

(56) **References Cited**  
U.S. PATENT DOCUMENTS

D412,989 S \* 8/1999 Chen ..... D24/211  
D419,680 S \* 1/2000 Chen ..... D24/211

D422,085 S \* 3/2000 Chen ..... D24/211  
D535,033 S \* 1/2007 Elliott ..... D24/214  
D558,886 S \* 1/2008 Chen ..... D24/214  
D617,467 S \* 6/2010 Dworzan ..... D24/211  
D628,707 S \* 12/2010 Bauerfeind et al. .... D24/211

**OTHER PUBLICATIONS**

Trojan Vibrating Touch from Taylor Gifts Source: [http://www.taylorgifts.com/item/TROJAN\\_VIBRATING\\_TOUCH/31382?src=FRGL0406](http://www.taylorgifts.com/item/TROJAN_VIBRATING_TOUCH/31382?src=FRGL0406) Date accessed: Feb. 19, 2013.

\* cited by examiner

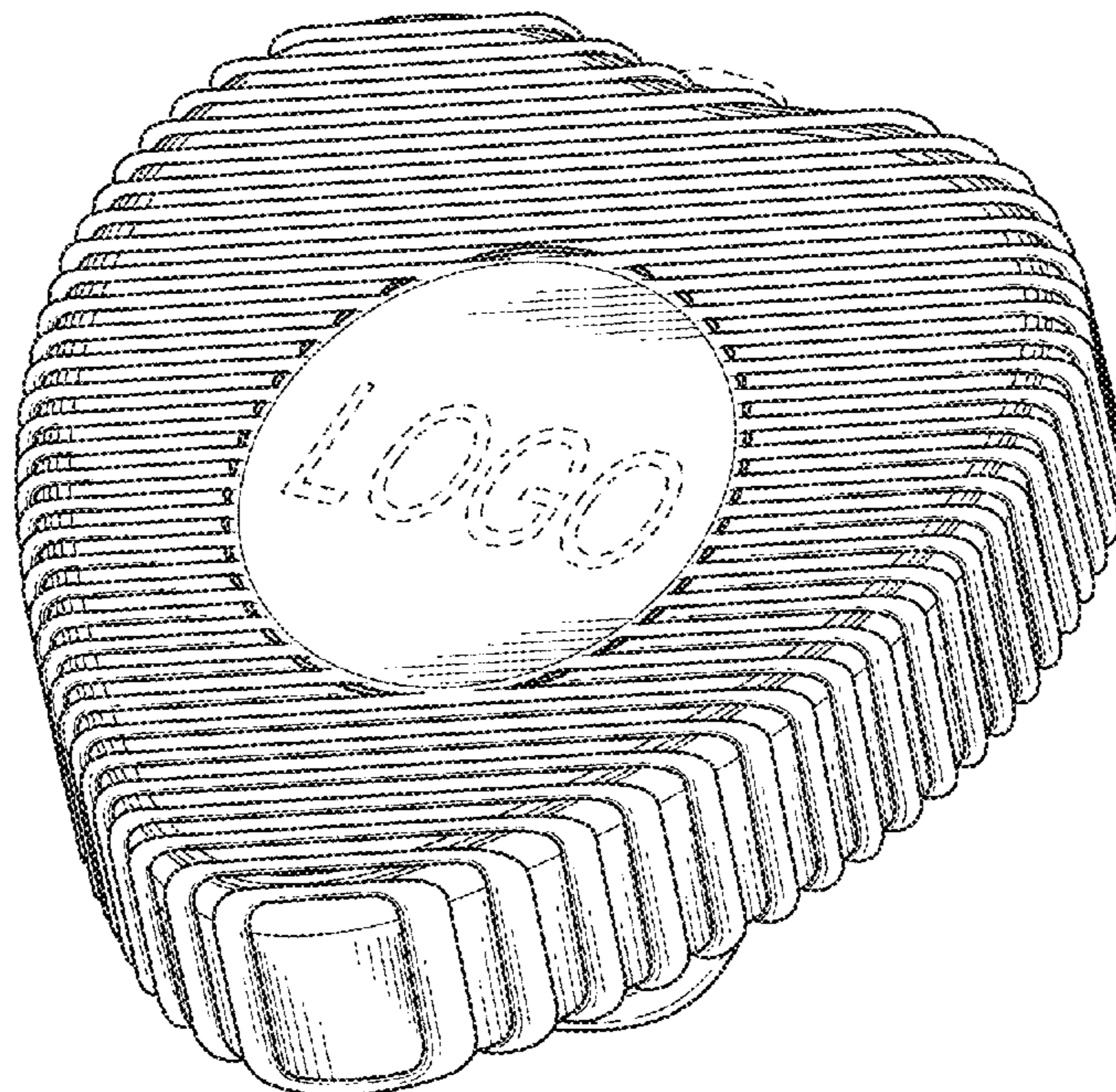
*Primary Examiner* — Sandra Snapp  
(74) *Attorney, Agent, or Firm* — Weiss & Moy, P.C.;  
Veronica-Adele R. Cao

(57) **CLAIM**  
The ornamental design for a finger vibrator cover, as shown and described.

**DESCRIPTION**

FIG. 1 is a front perspective view of a finger vibrator cover; FIG. 2 is a bottom plan view thereof; FIG. 3 is a top plan view thereof; FIG. 4 is a right side elevation view thereof; FIG. 5 is a left side elevation view thereof; FIG. 6 is a front elevation view thereof; FIG. 7 is a rear elevation view thereof; and, FIG. 8 is a front perspective view of a finger vibrator cover shown placed within a gift box.  
The broken lines shown in the drawings are for illustrative purposes only and form no part of the claimed design.

**1 Claim, 5 Drawing Sheets**



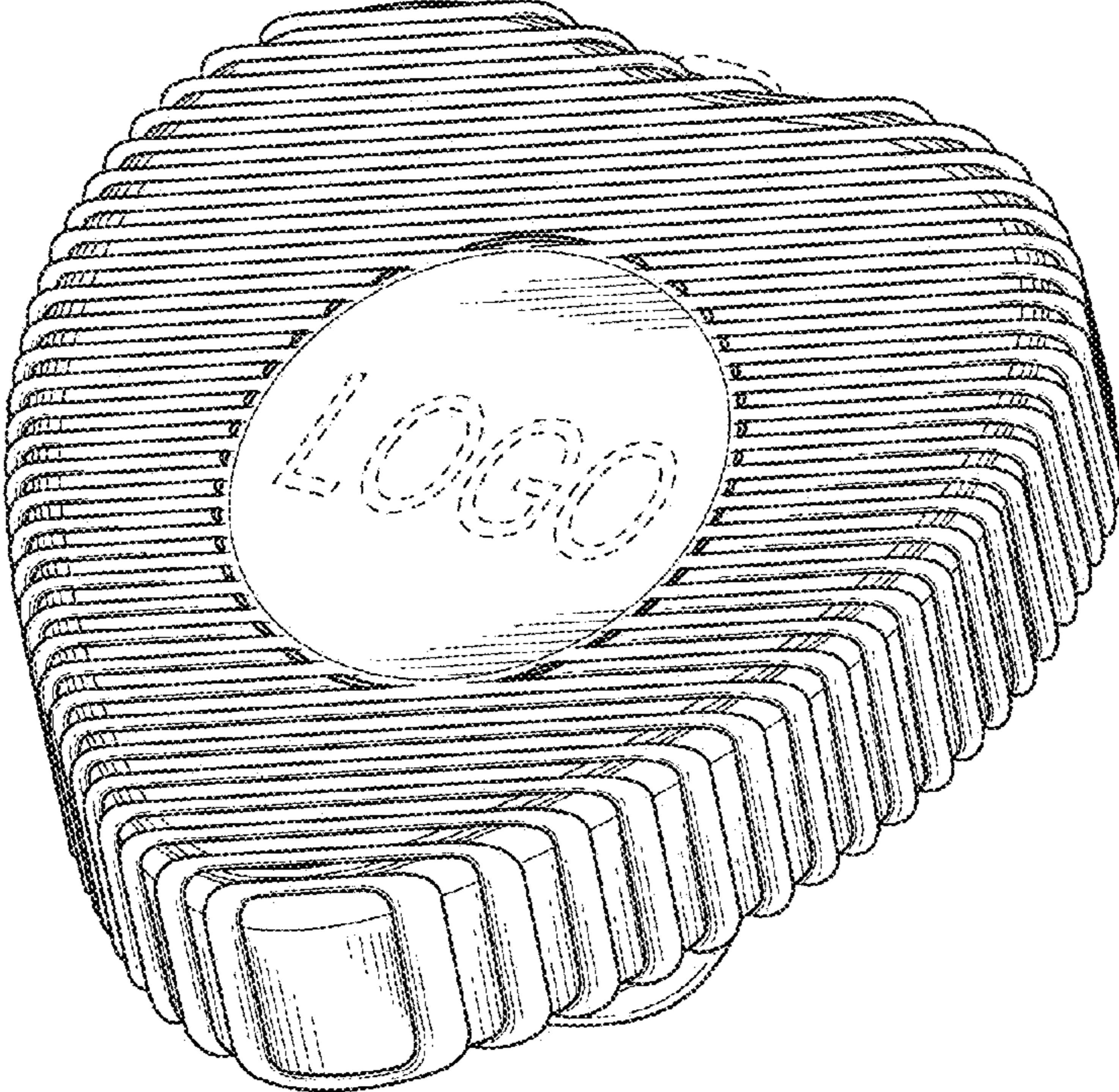


FIG. 1

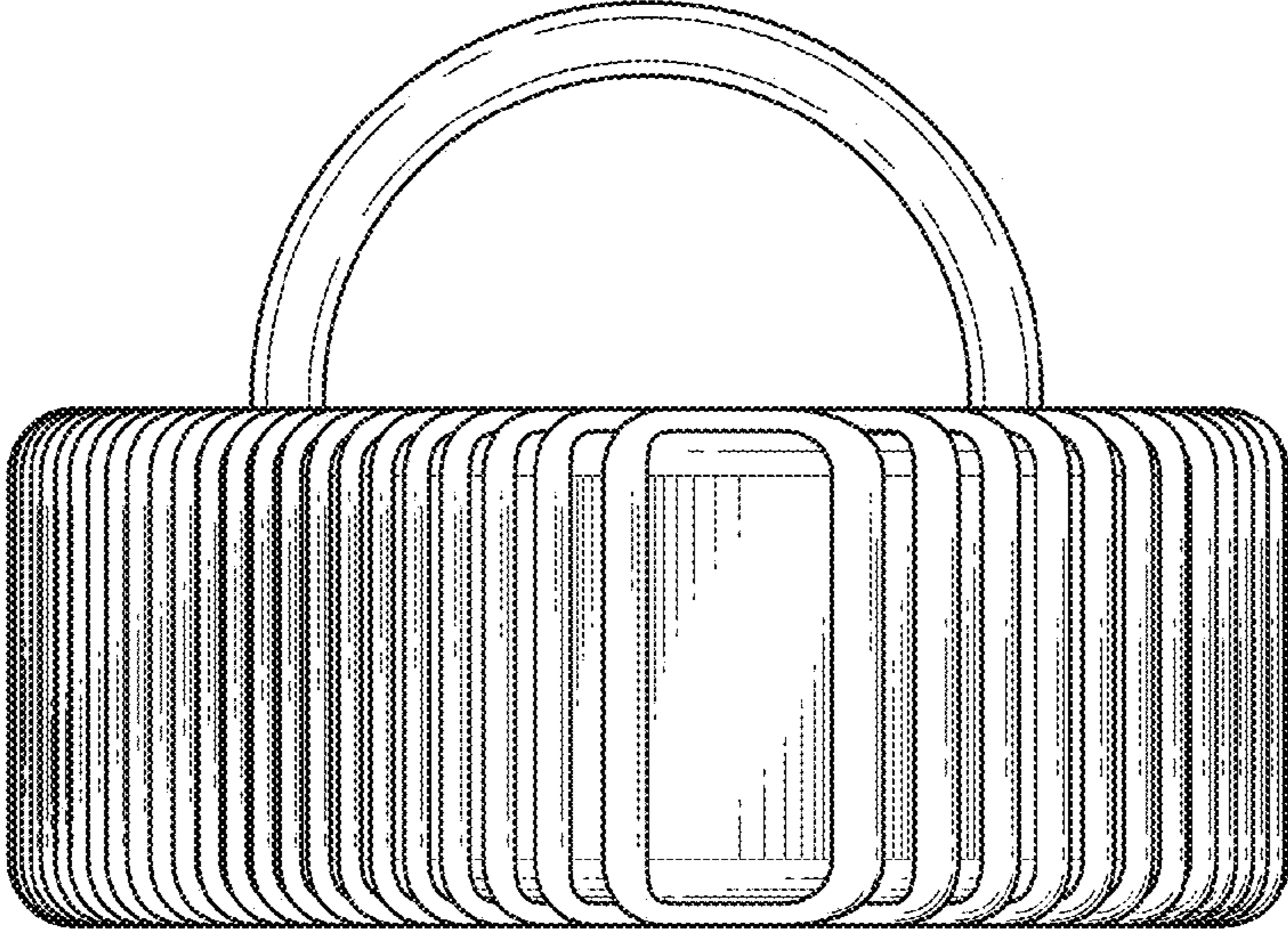


FIG. 2

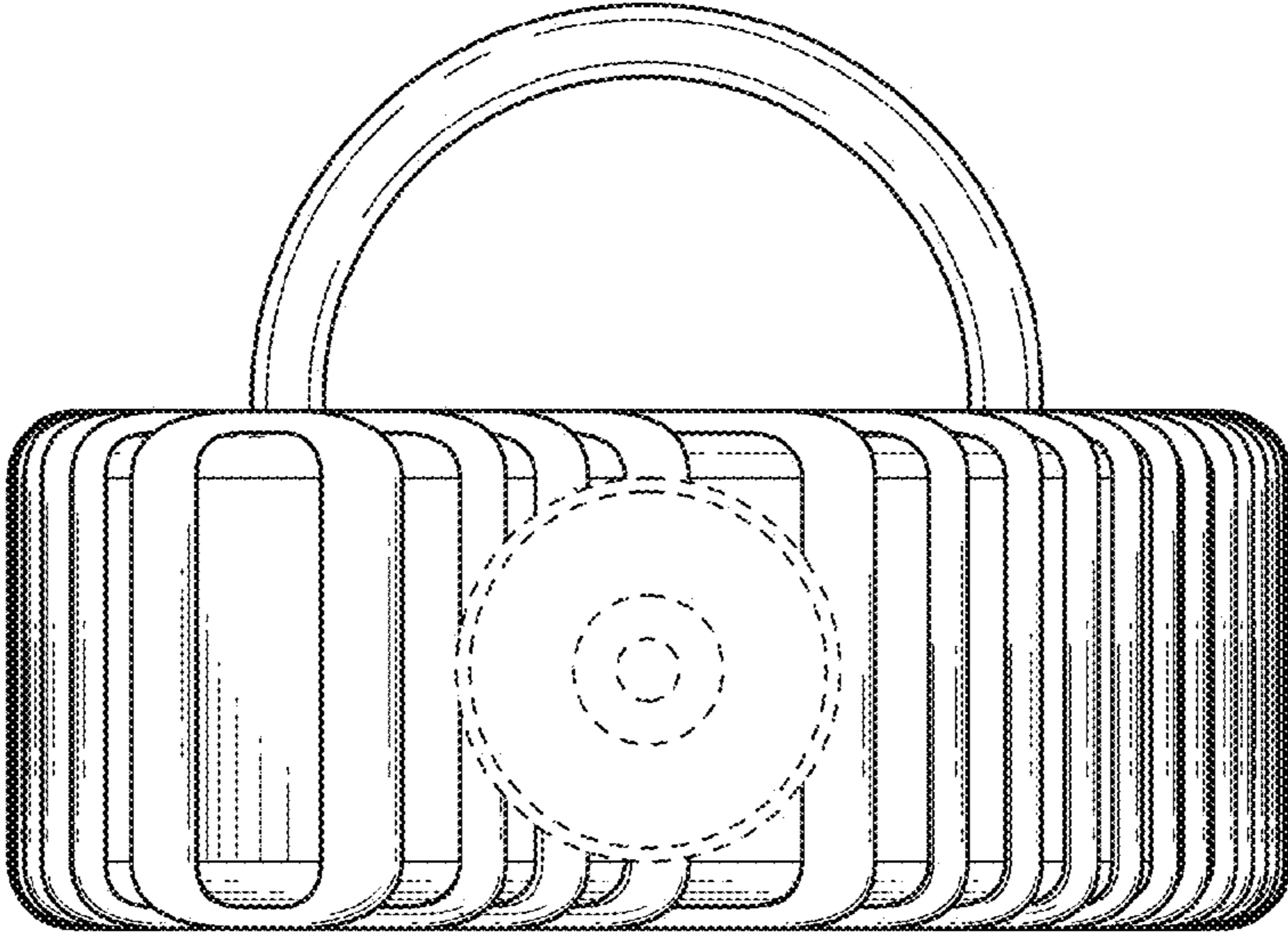


FIG. 3

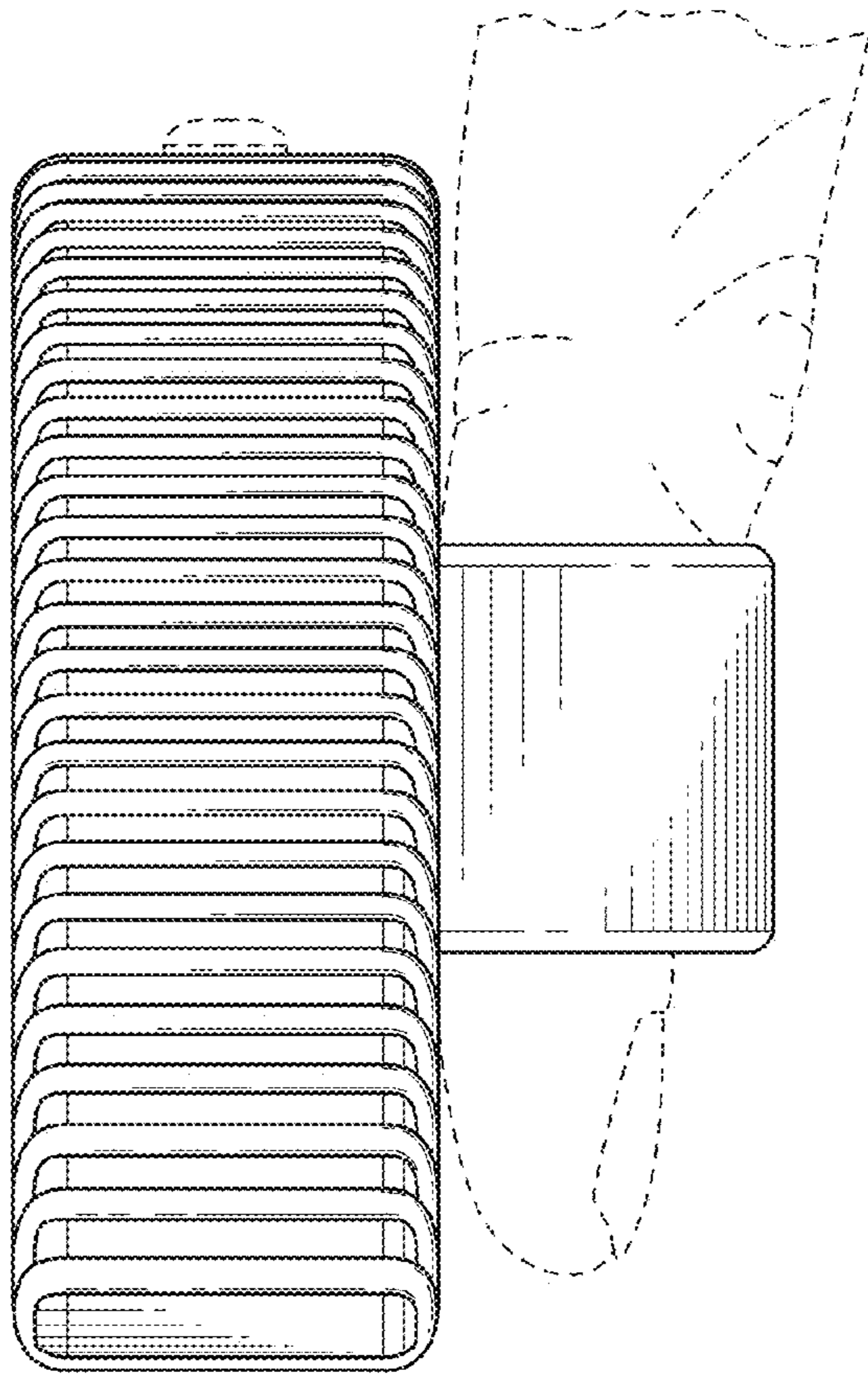


FIG. 4

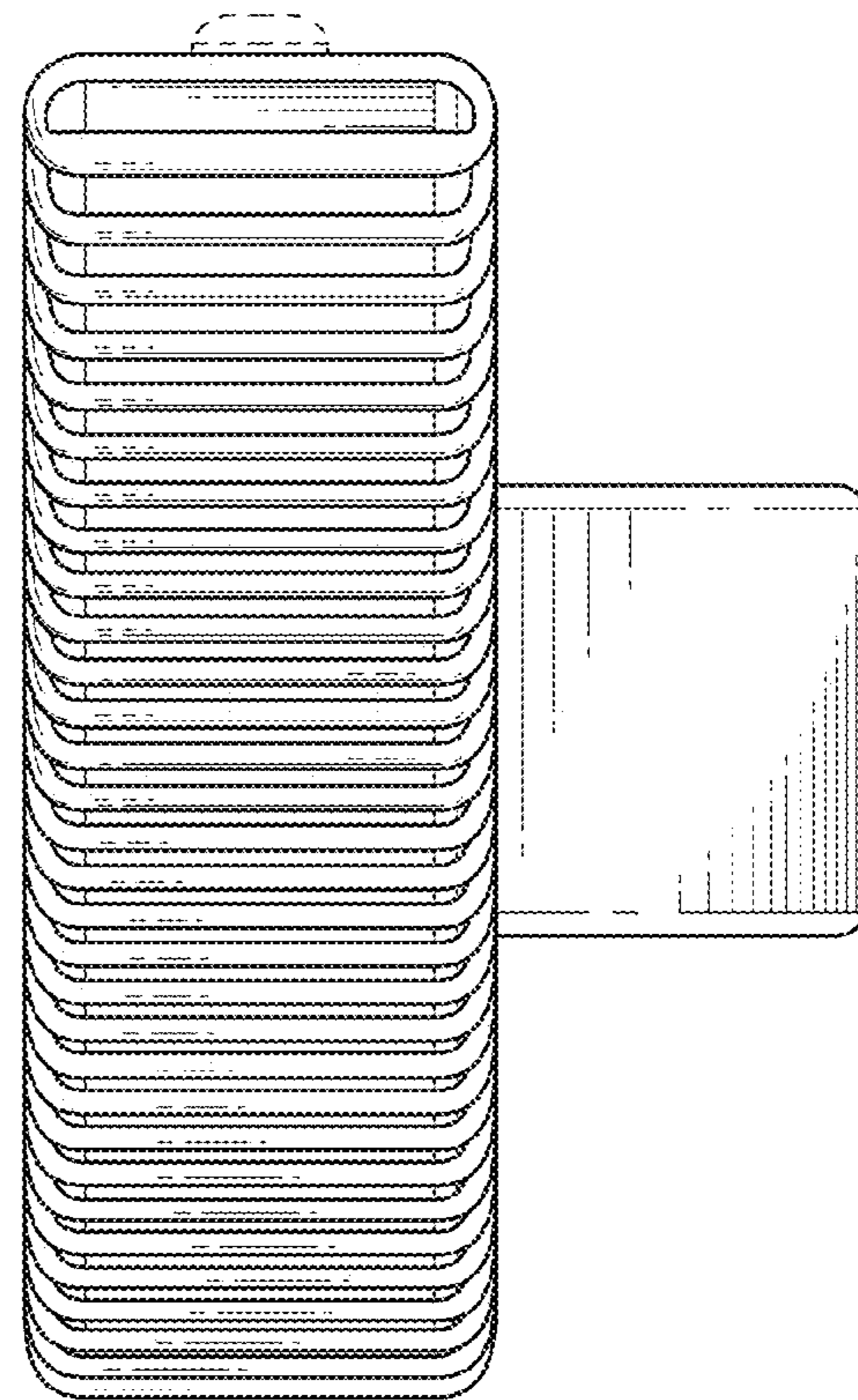


FIG. 5

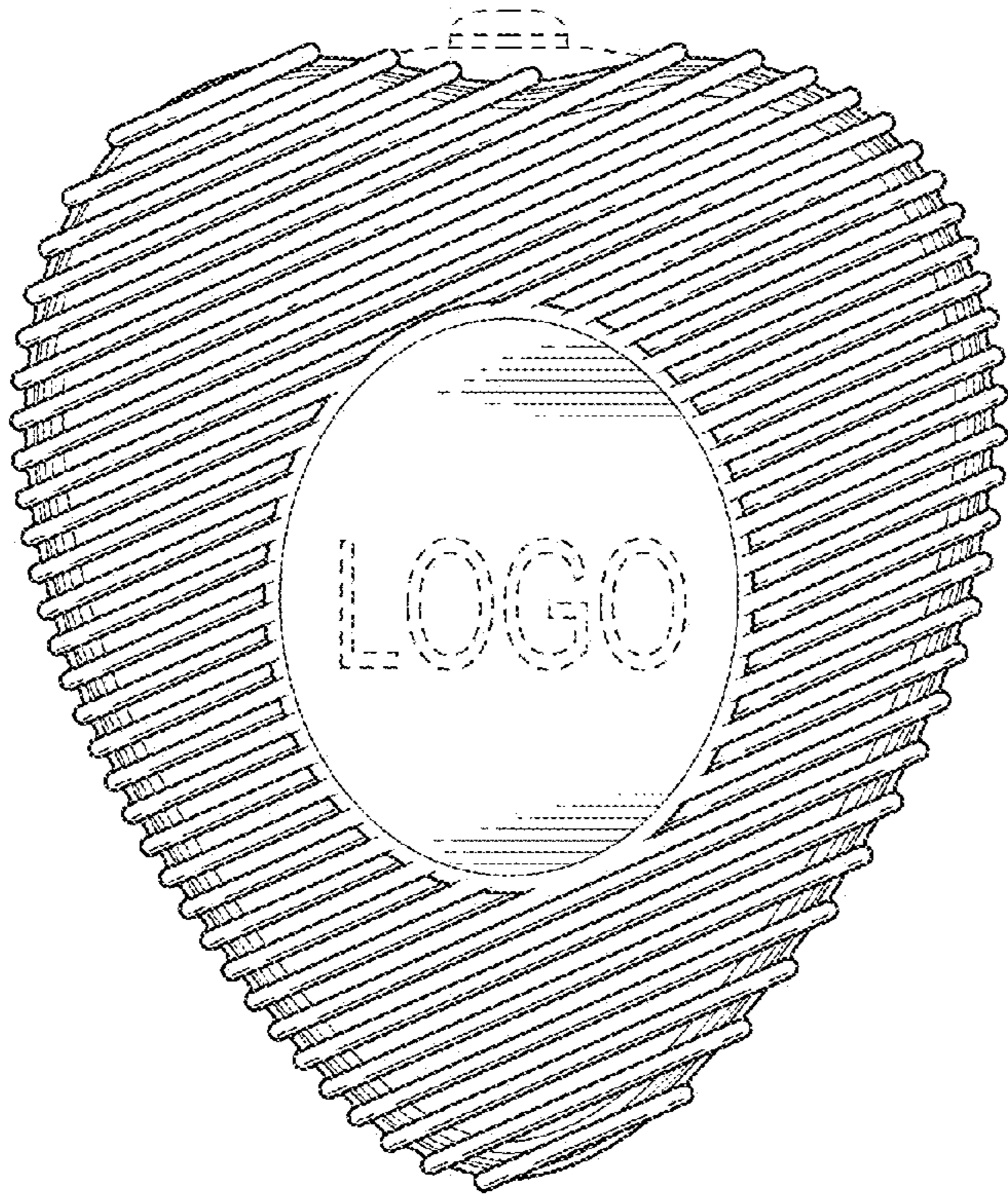


FIG. 6

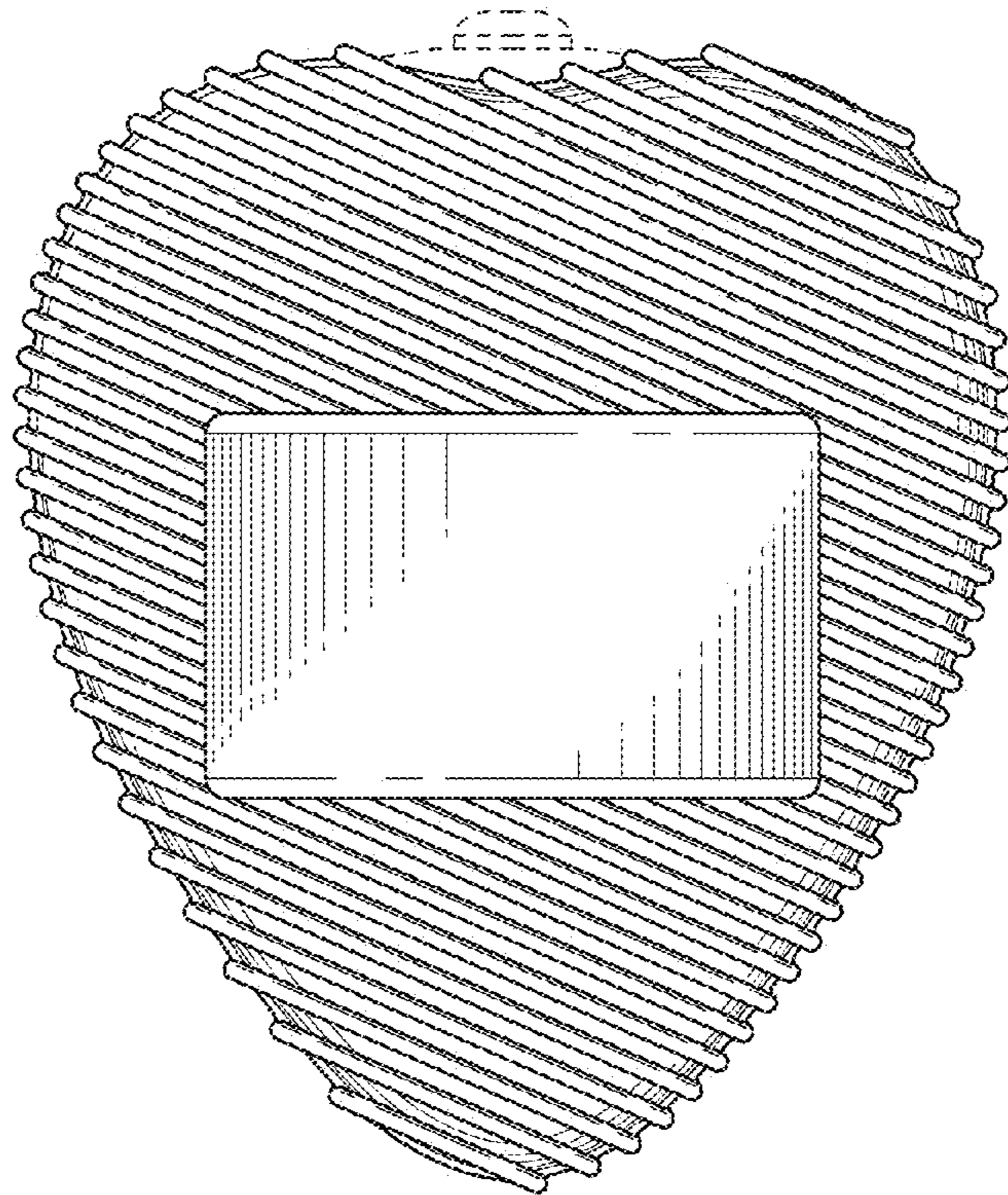


FIG. 7

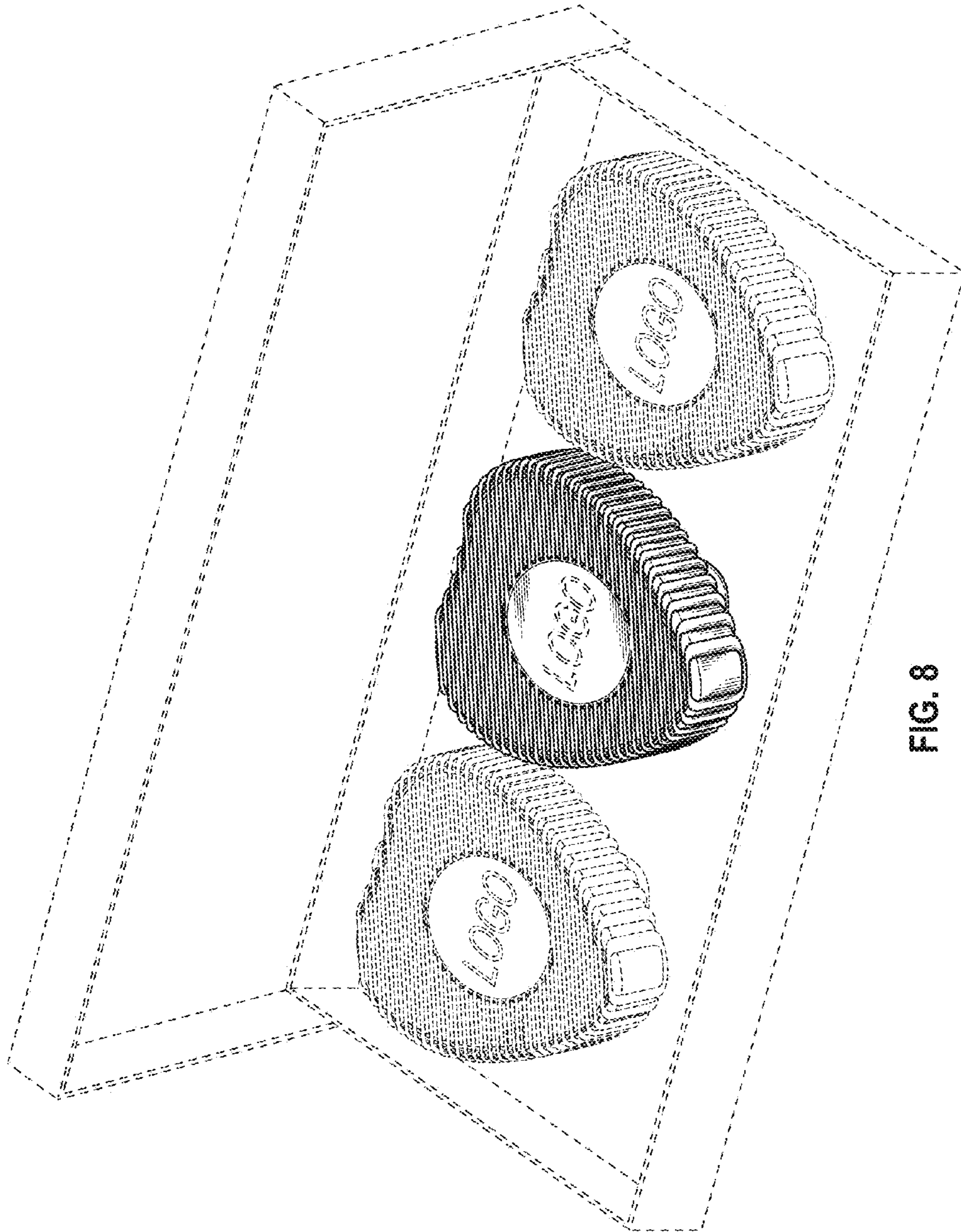


FIG. 8