



US00D718451S

(12) **United States Design Patent**  
**Taylor**

(10) **Patent No.:** **US D718,451 S**

(45) **Date of Patent:** **\*\* Nov. 25, 2014**

(54) **DENTAL INSTRUMENT**

(71) Applicant: **James Taylor**, Leeds (GB)

(72) Inventor: **James Taylor**, Leeds (GB)

(\*\*) Term: **14 Years**

(21) Appl. No.: **29/456,167**

(22) Filed: **May 29, 2013**

(30) **Foreign Application Priority Data**

May 1, 2013 (EM) ..... 002230706-0001  
May 1, 2013 (EM) ..... 002230706-0002

(51) **LOC (10) Cl.** ..... **24-02**

(52) **U.S. Cl.**  
USPC ..... **D24/154; D24/152**

(58) **Field of Classification Search**  
USPC ..... D24/176-182, 152-154, 146-147, 149;  
433/3, 50, 53, 114, 141-143, 144-147,  
433/164, 166

See application file for complete search history.

(56) **References Cited**

**U.S. PATENT DOCUMENTS**

1,369,582 A \* 2/1921 Wagner ..... 433/142  
1,579,968 A \* 4/1926 Taylor ..... 433/164  
D238,174 S \* 12/1975 Felt ..... D24/149  
4,167,063 A \* 9/1979 Sosnay ..... 433/3  
4,643,677 A 2/1987 Kim  
4,795,344 A \* 1/1989 Brewer, Jr. .... 433/143  
4,836,781 A \* 6/1989 Meinershagen ..... 433/141  
5,028,234 A \* 7/1991 Schweitzer et al. .... 433/147  
5,169,314 A \* 12/1992 Long ..... 433/143  
D340,980 S \* 11/1993 Shen et al. .... D24/146

D458,456 S \* 6/2002 Dragan et al. .... D24/176  
6,634,051 B1 \* 10/2003 Dragan et al. .... 433/141  
8,241,291 B2 \* 8/2012 Yamada ..... 433/141  
2004/0031114 A1 2/2004 Dragan et al.  
2005/0100860 A1 5/2005 Kameli  
2008/0014553 A1 \* 1/2008 Garrison et al. .... 433/164  
2009/0042165 A1 2/2009 Garrison et al.

**FOREIGN PATENT DOCUMENTS**

EP 0903115 A2 3/1999  
GB 1528618 A 10/1978

\* cited by examiner

*Primary Examiner* — Wan Laymon

(74) *Attorney, Agent, or Firm* — Ward and Smith, P.A.

(57) **CLAIM**

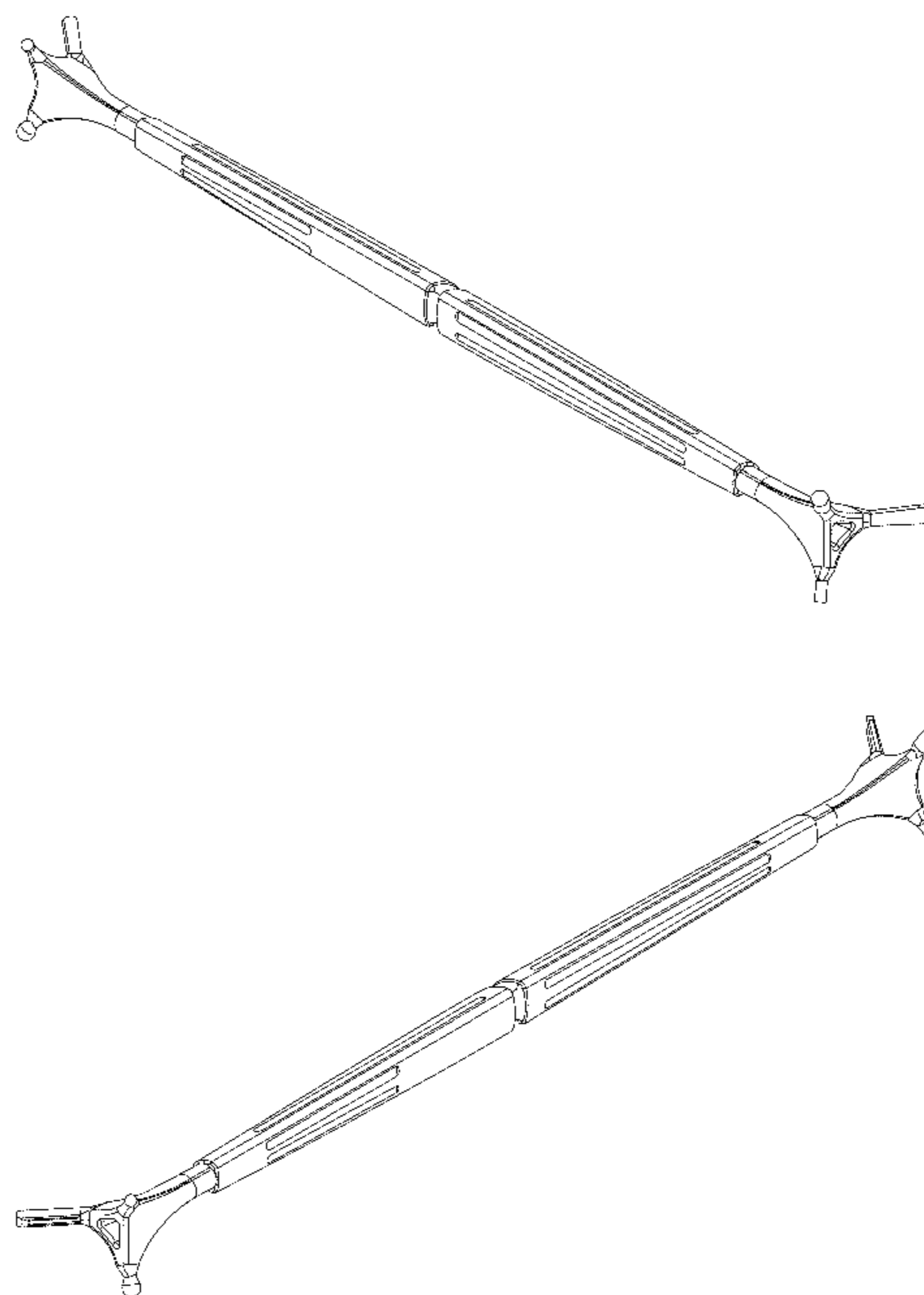
The ornamental design for a dental instrument, as shown and described.

**DESCRIPTION**

FIG. 1 is a right isometric view of a dental instrument showing a new design;  
FIG. 2 is a left isometric view thereof;  
FIG. 3 is a front view thereof;  
FIG. 4 is a rear view thereof;  
FIG. 5 is a right end view thereof;  
FIG. 6 is a left end view thereof;  
FIG. 7 is a top view thereof; and,  
FIG. 8 is a bottom view thereof.

The broken lines in FIGS. 5 and 6 are included for the purpose of illustrating portions of the dental instrument and form no part of the claimed design.

**1 Claim, 8 Drawing Sheets**



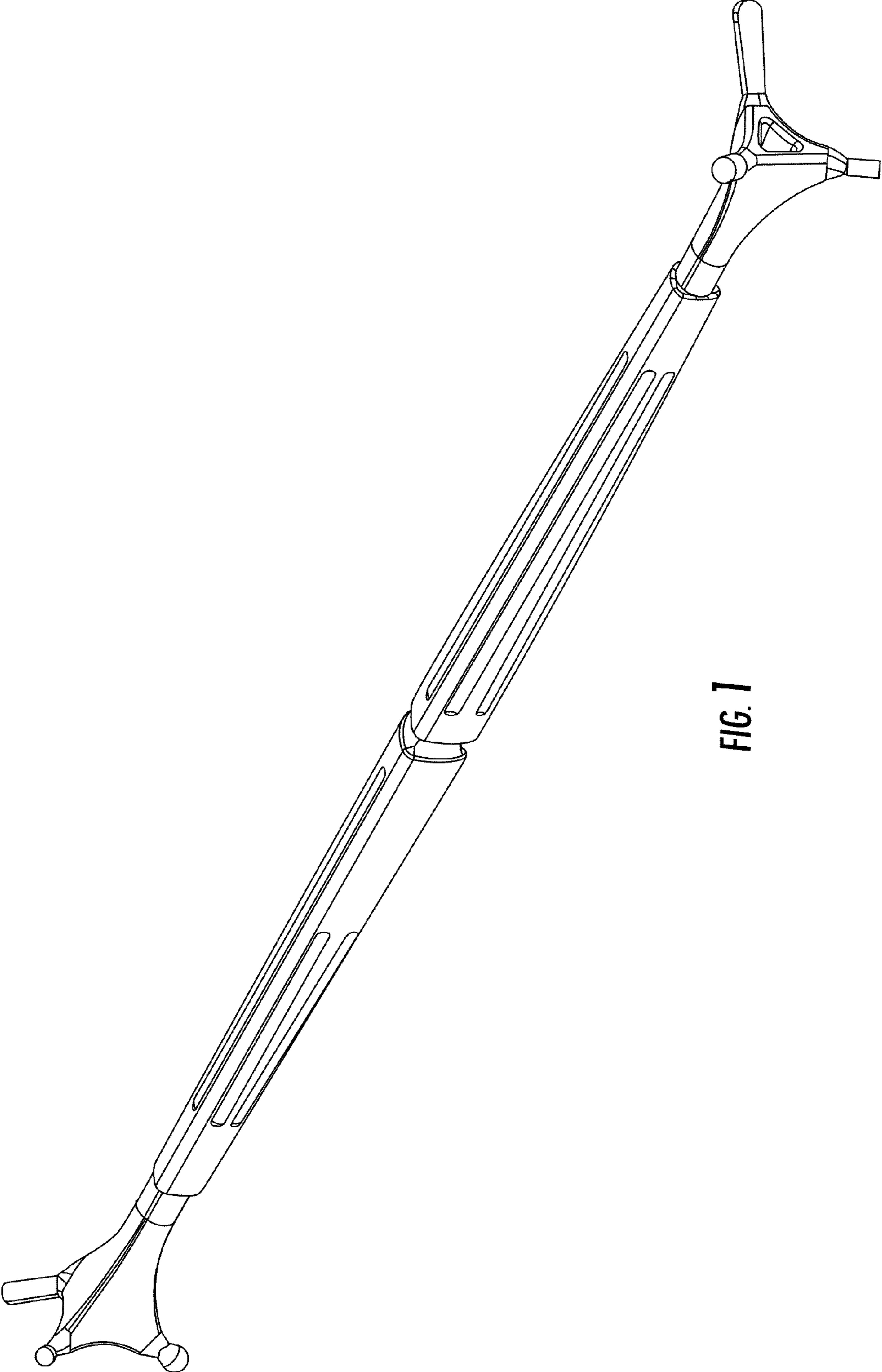


FIG. 1

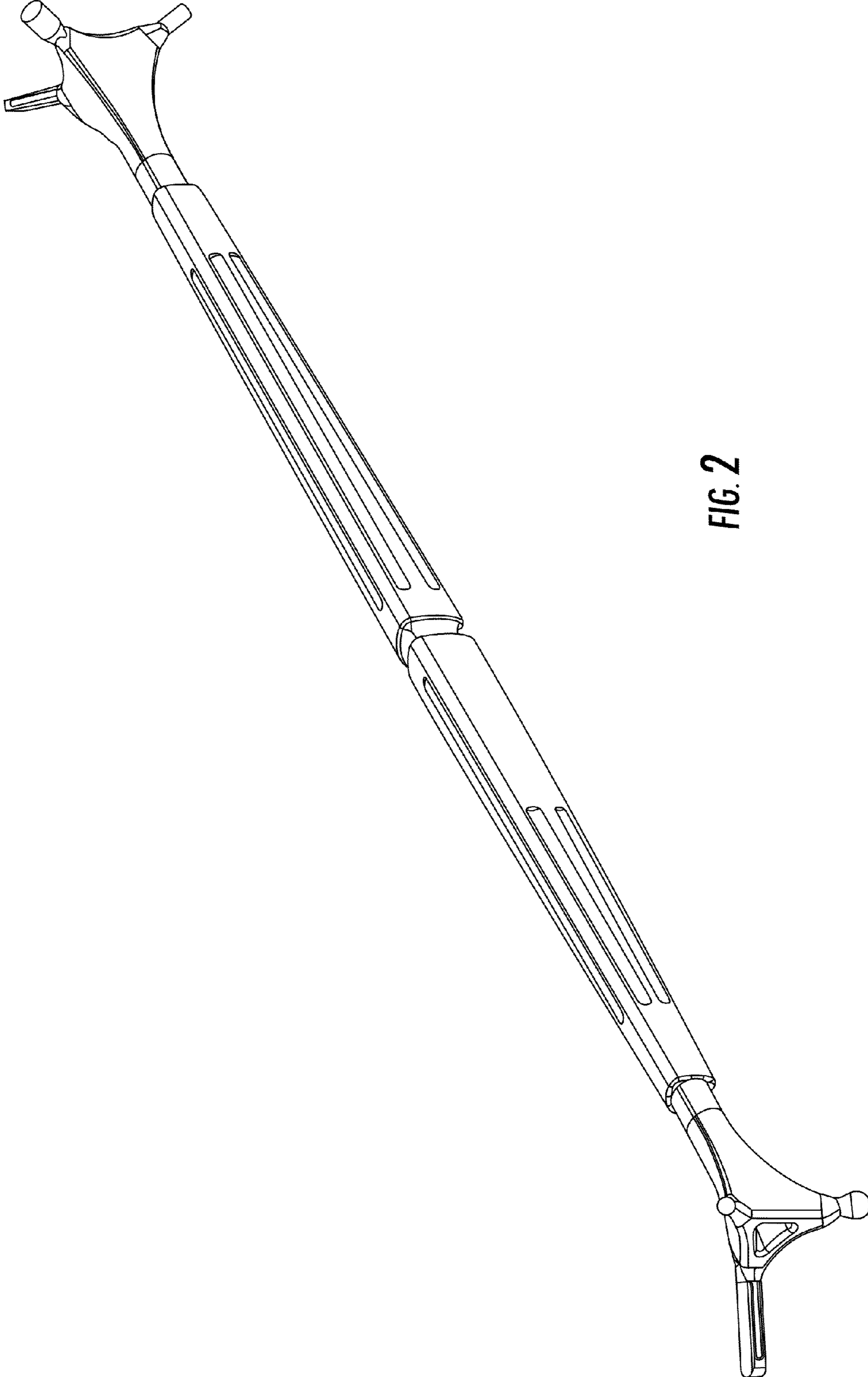


FIG. 2

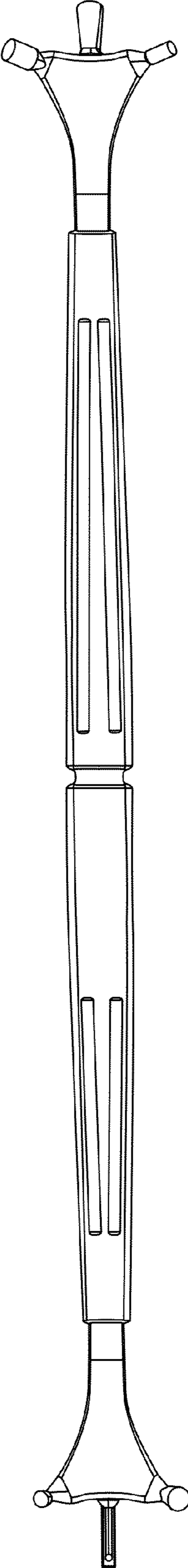


FIG. 3

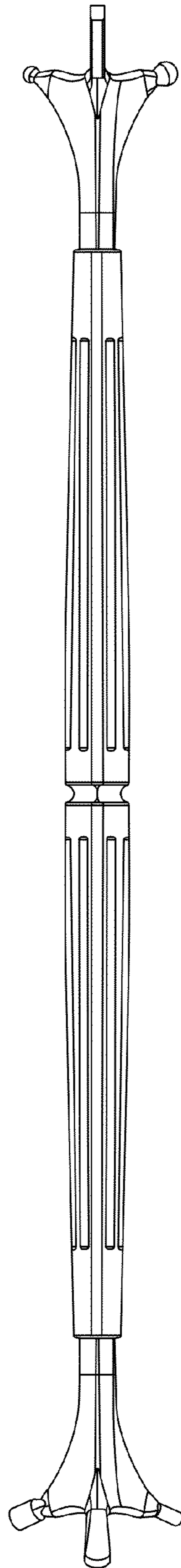
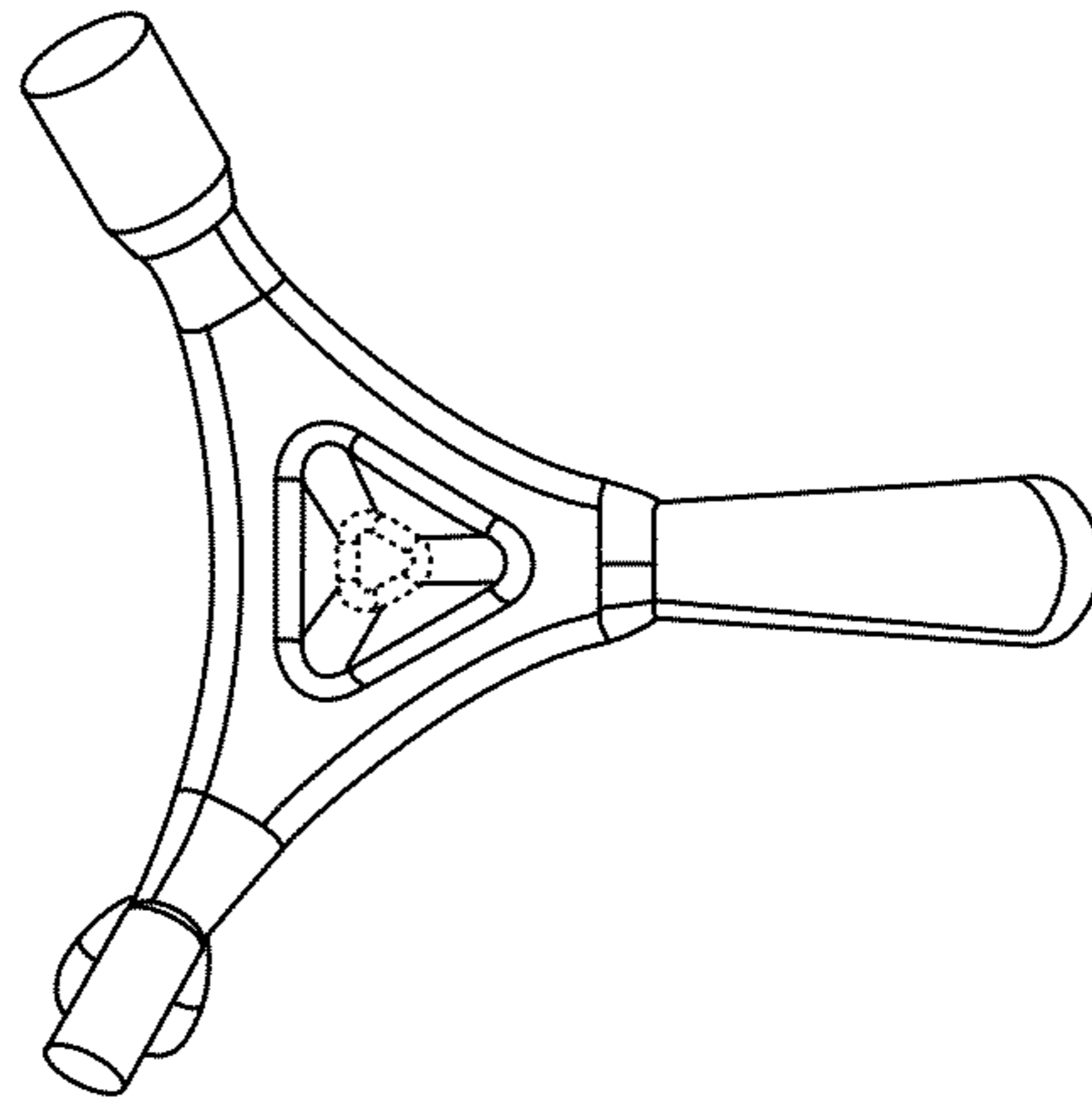
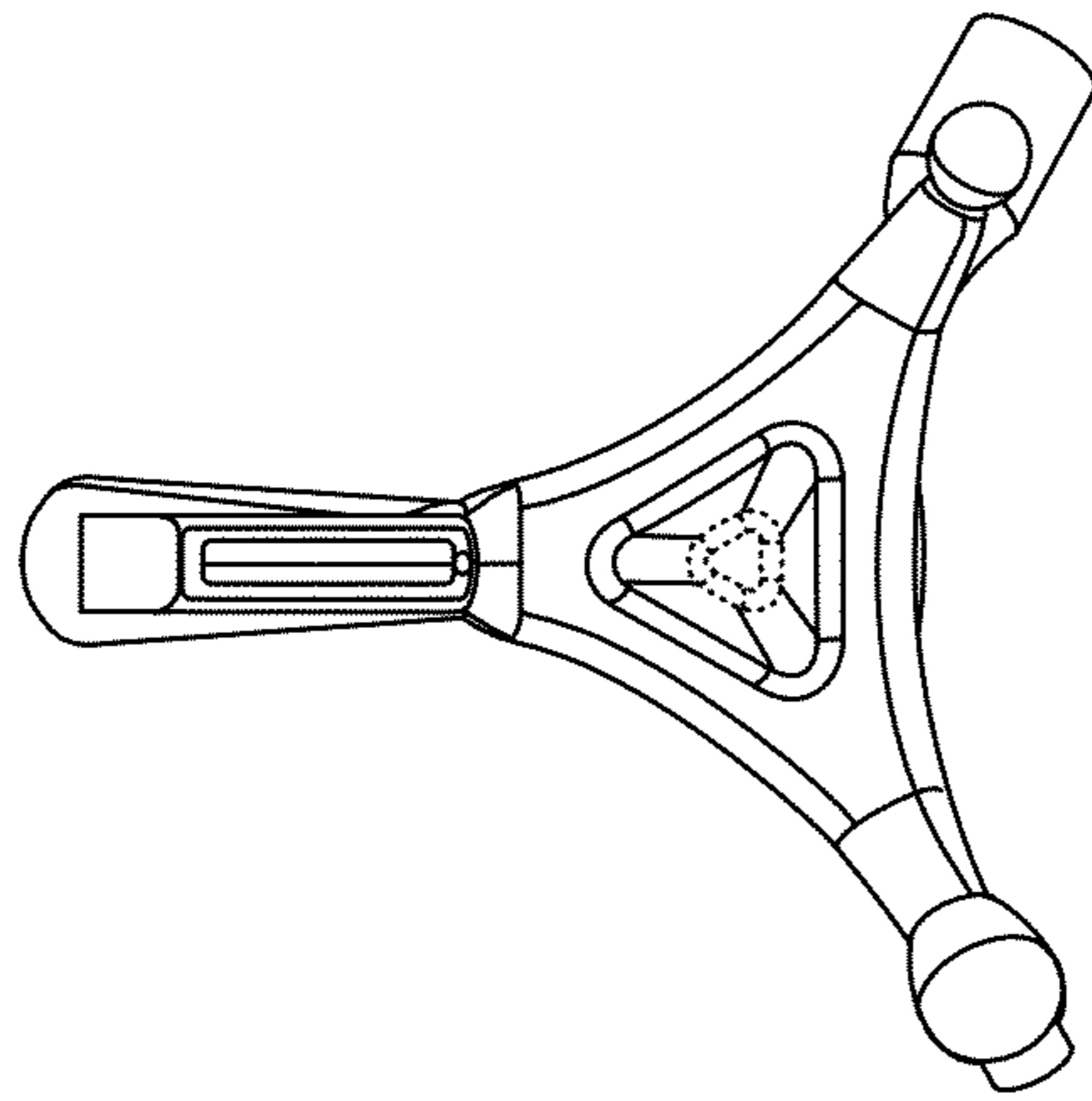


FIG. 4



**FIG. 5**



**FIG. 6**



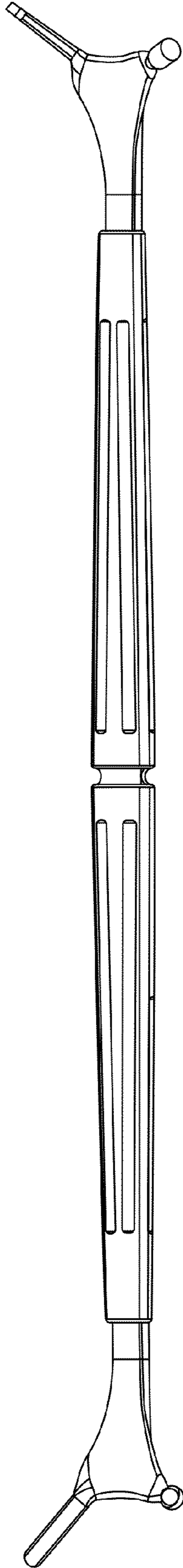


FIG. 7



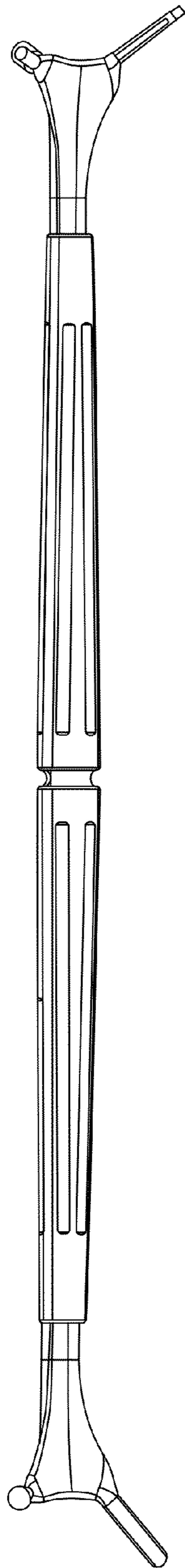


FIG. 8