



US00D718449S

(12) **United States Design Patent**
Bedford et al.

(10) **Patent No.:** **US D718,449 S**

(45) **Date of Patent:** **** Nov. 25, 2014**

(54) **SET OF ORAL APPLIANCES**

Primary Examiner — Wan Laymon

(74) *Attorney, Agent, or Firm* — Banner & Witcoff, Ltd.

(75) Inventors: **Christopher Russell Bedford**, New South Wales (AU); **Lee David Blattmann**, New South Wales (AU); **Stuart Richard May**, New South Wales (AU)

(57) **CLAIM**

The ornamental design for a set of oral appliances, as shown and described.

DESCRIPTION

(73) Assignee: **SomnoMed Limited** (AU)

FIG. 1 is a perspective view of a first oral appliance of the set of oral appliances showing our new design;
FIG. 2 is a lateral side view thereof;
FIG. 3 is a medial side view thereof;
FIG. 4 is a top view thereof;
FIG. 5 is a bottom view thereof;
FIG. 6 is a front view thereof;
FIG. 7 is a rear view thereof;
FIG. 8 is a perspective view of a second oral appliance of the set of oral appliances showing our new design;
FIG. 9 is a lateral side view thereof;
FIG. 10 is a medial side view thereof;
FIG. 11 is a top view thereof;
FIG. 12 is a bottom view thereof;
FIG. 13 is a front view thereof;
FIG. 14 is a rear view thereof;
FIG. 15 is a perspective view of a third oral appliance of the set of oral appliances showing our new design;
FIG. 16 is a lateral side view thereof;
FIG. 17 is a medial side view thereof;
FIG. 18 is a top view thereof;
FIG. 19 is a bottom view thereof;
FIG. 20 is a front view thereof; and,
FIG. 21 is a rear view thereof.

(**) Term: **14 Years**

(21) Appl. No.: **29/407,231**

(22) Filed: **Nov. 23, 2011**

(51) **LOC (10) Cl.** **24-02**

(52) **U.S. Cl.**
USPC **D24/152**

(58) **Field of Classification Search**
USPC D24/152, 156, 176–182; 128/848, 859,
128/861–862; 433/6, 18, 140–141, 147;
602/902

See application file for complete search history.

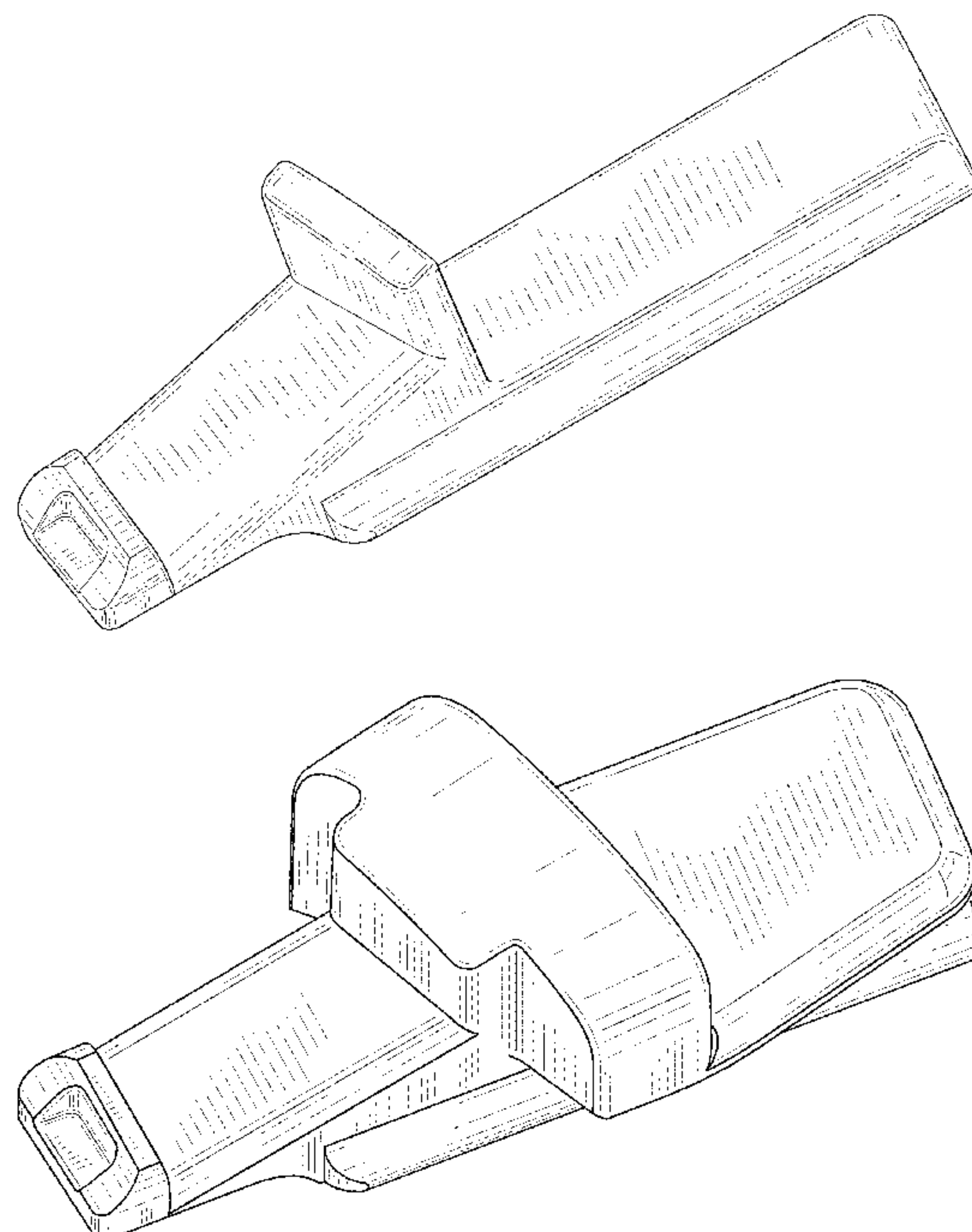
(56) **References Cited**

U.S. PATENT DOCUMENTS

6,604,527	B1 *	8/2003	Palmisano	128/848
D536,455	S *	2/2007	Feinbloom et al.	D24/176
D555,242	S *	11/2007	Massad	D24/152
8,105,210	B2 *	1/2012	Seybold	433/140
8,272,384	B2 *	9/2012	Wiberg et al.	128/859
8,316,857	B2 *	11/2012	Thornton	128/848
8,517,029	B2 *	8/2013	Nelissen	128/848
8,646,454	B1 *	2/2014	Moses et al.	128/848
8,783,263	B2 *	7/2014	Baldwin	128/859

* cited by examiner

1 Claim, 18 Drawing Sheets



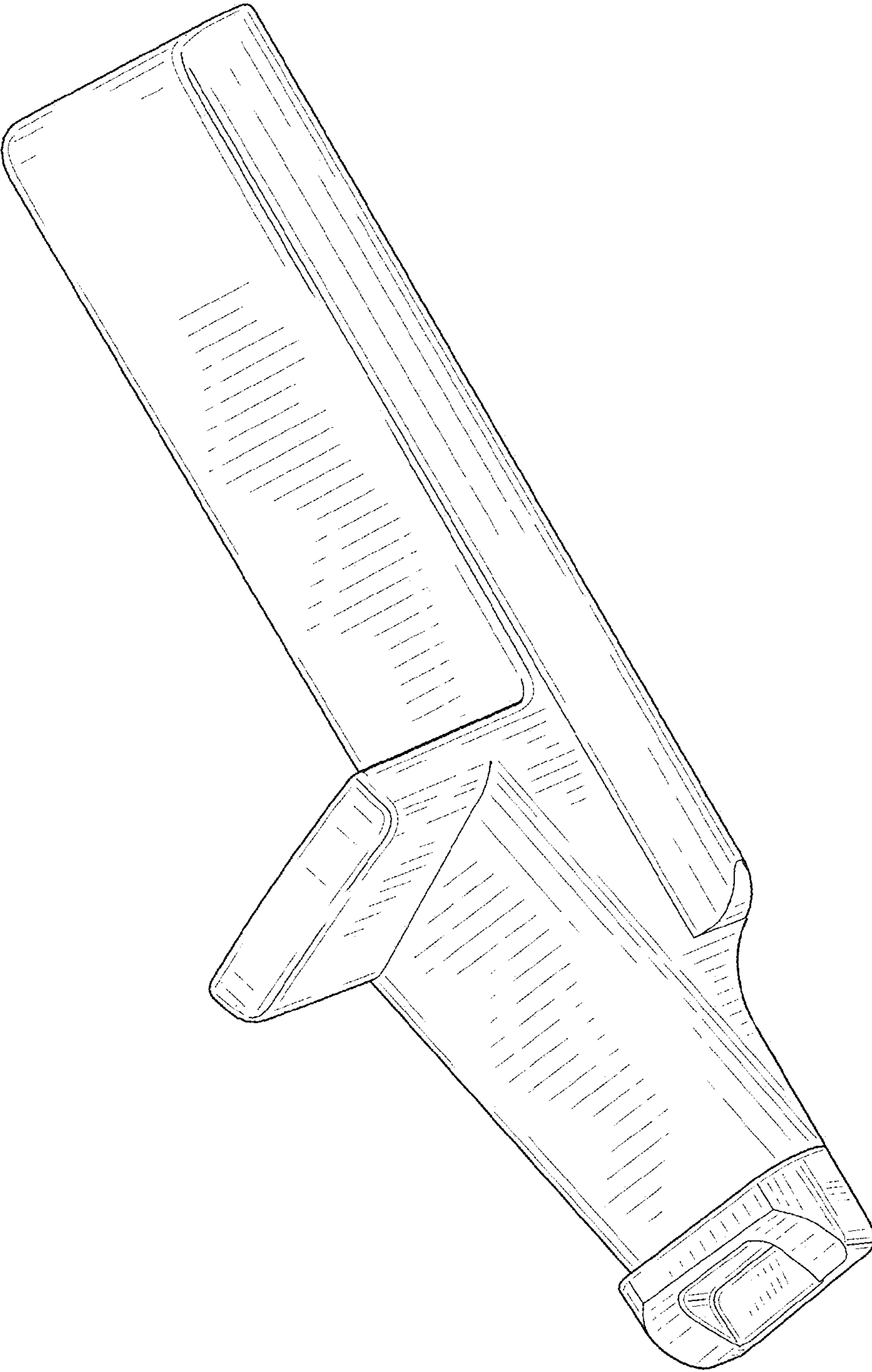


FIG. 1

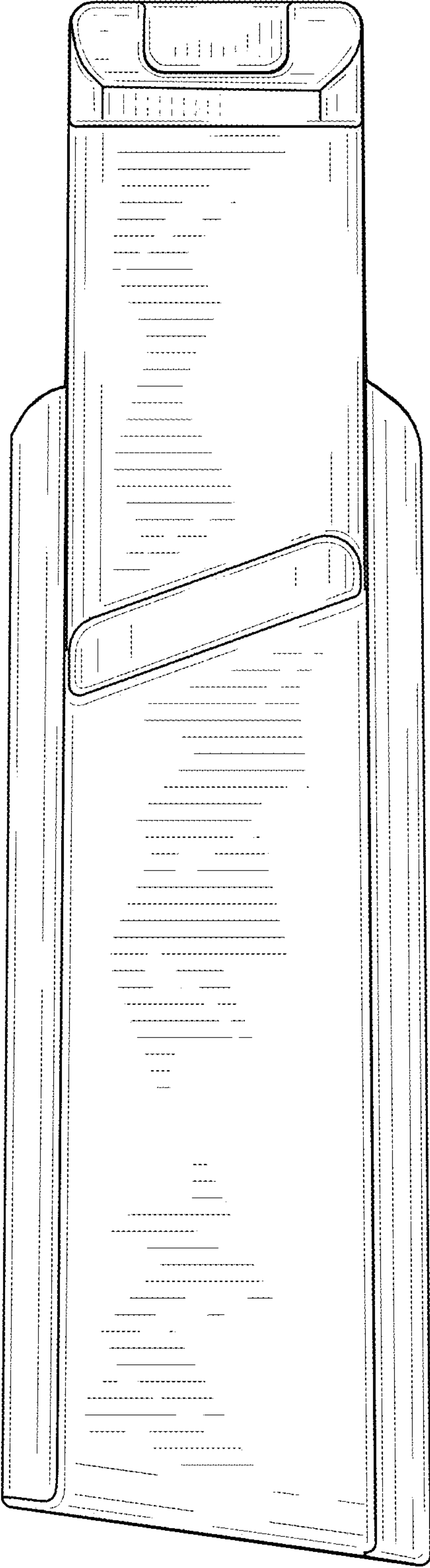


FIG. 2

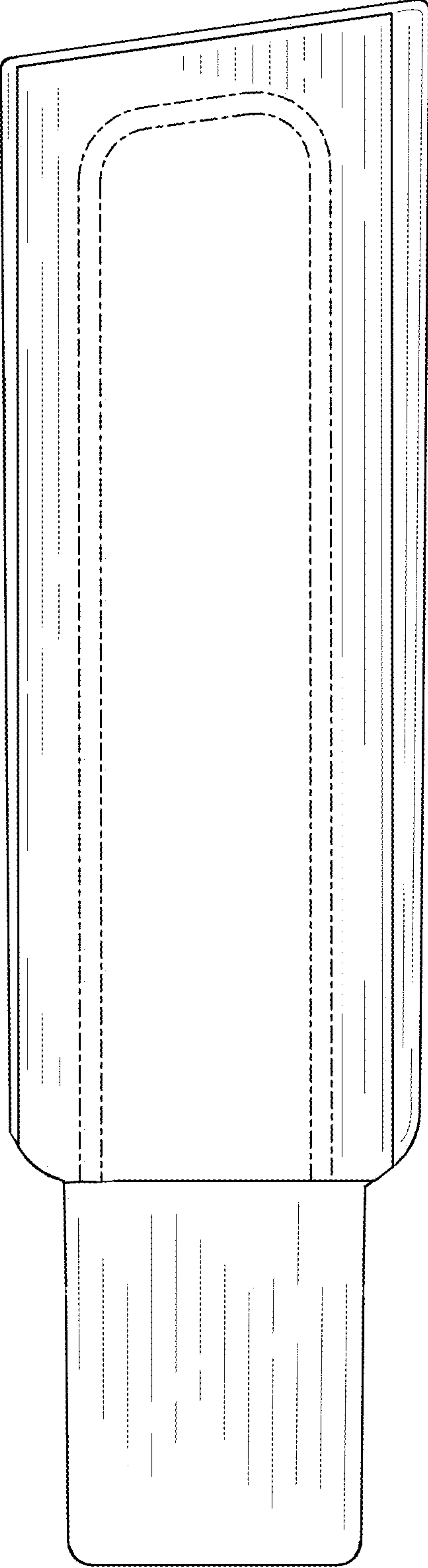


FIG. 3

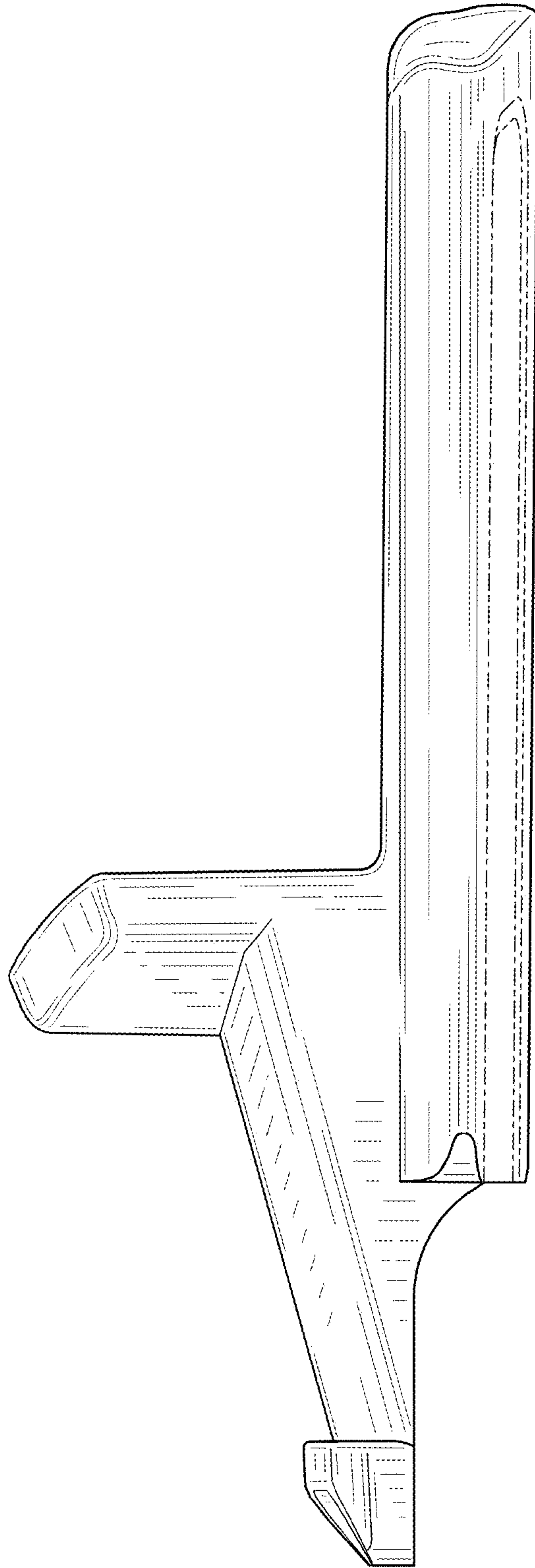


FIG. 4

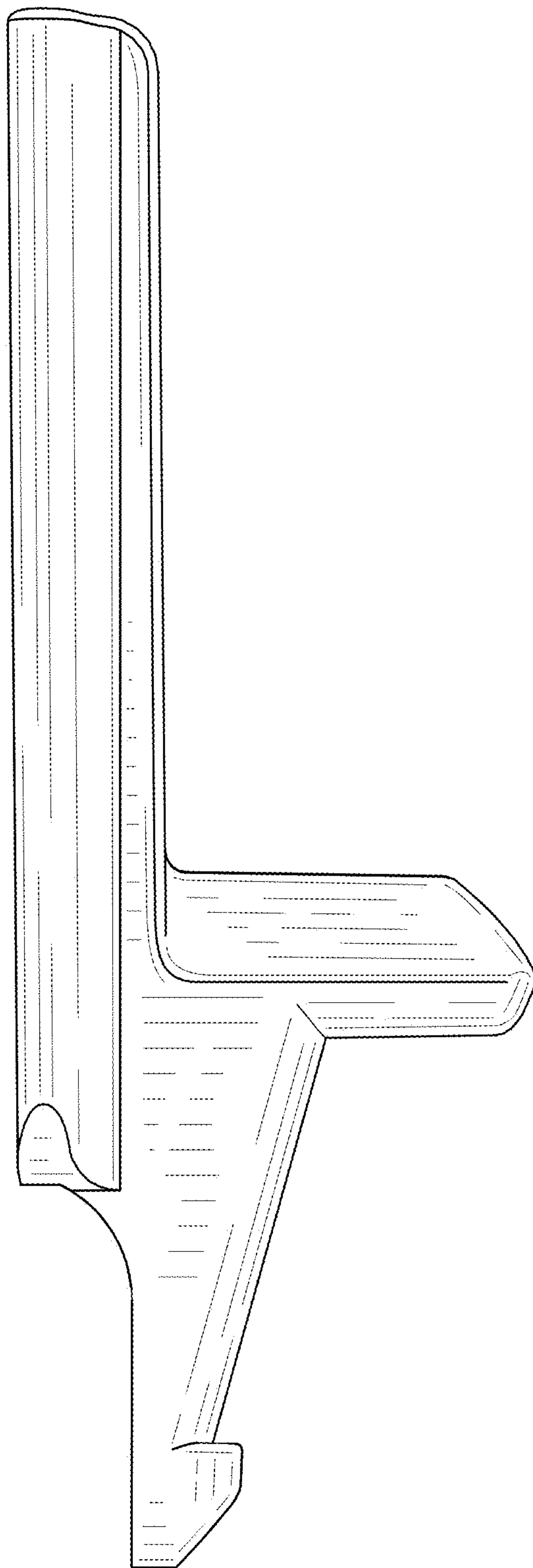


FIG. 5

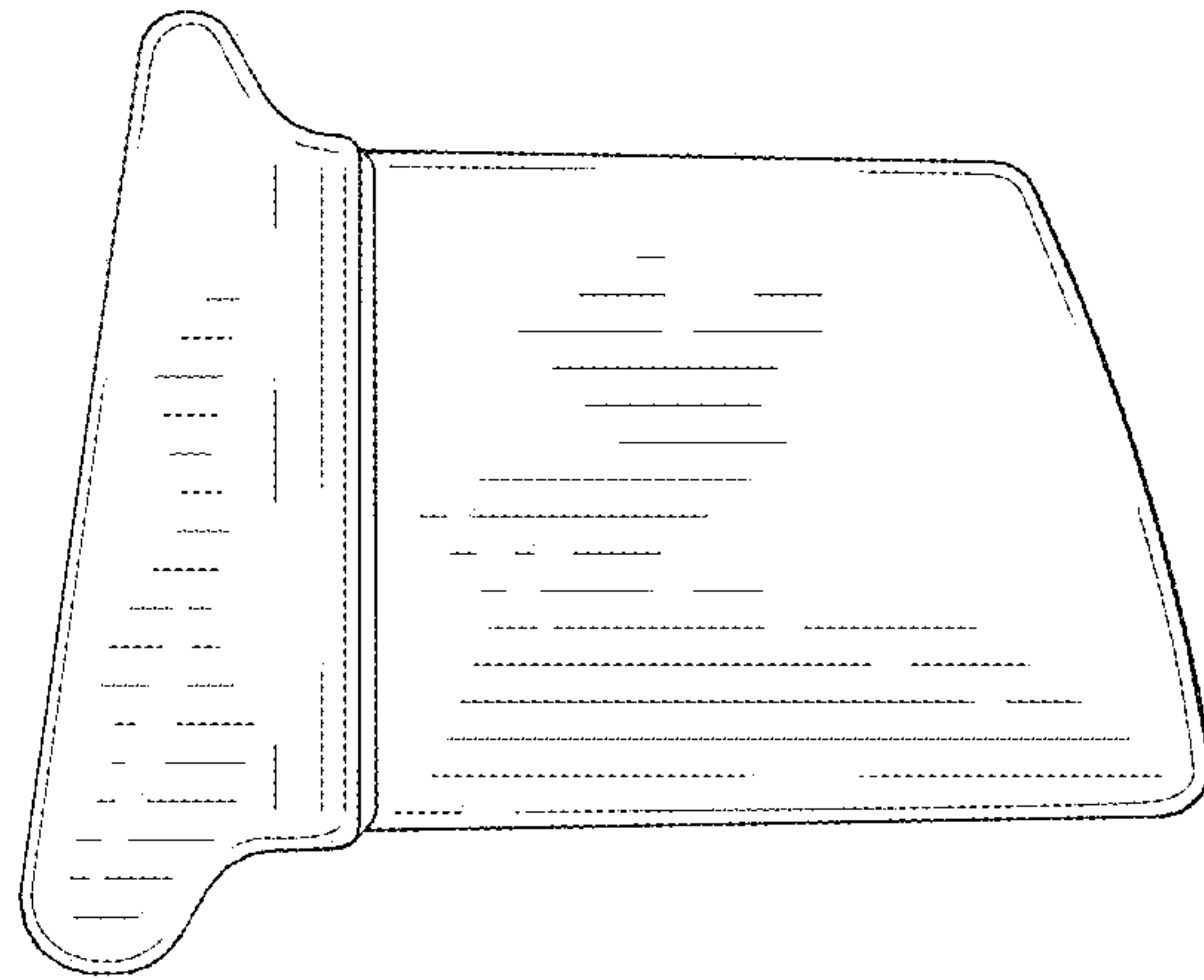


FIG. 6

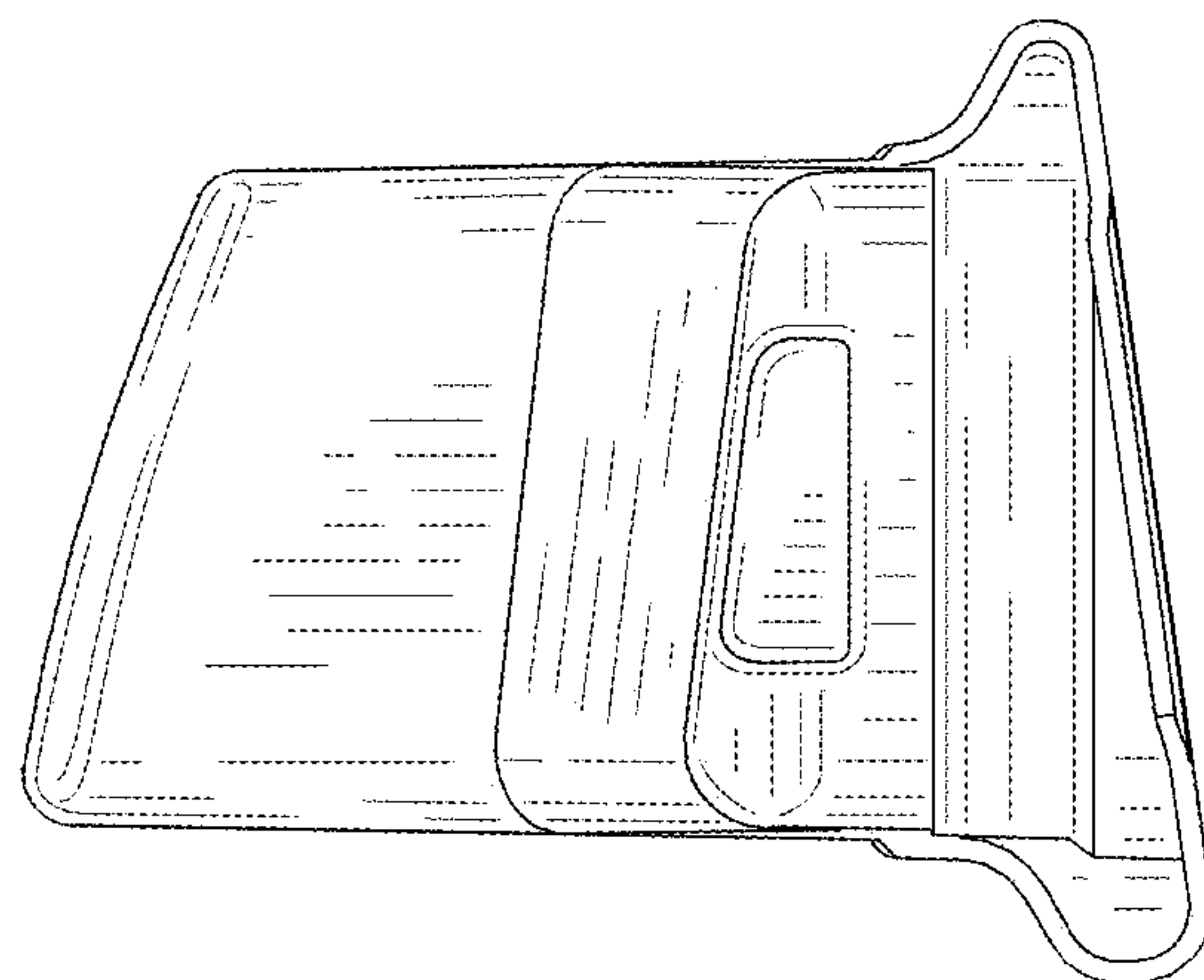


FIG. 7

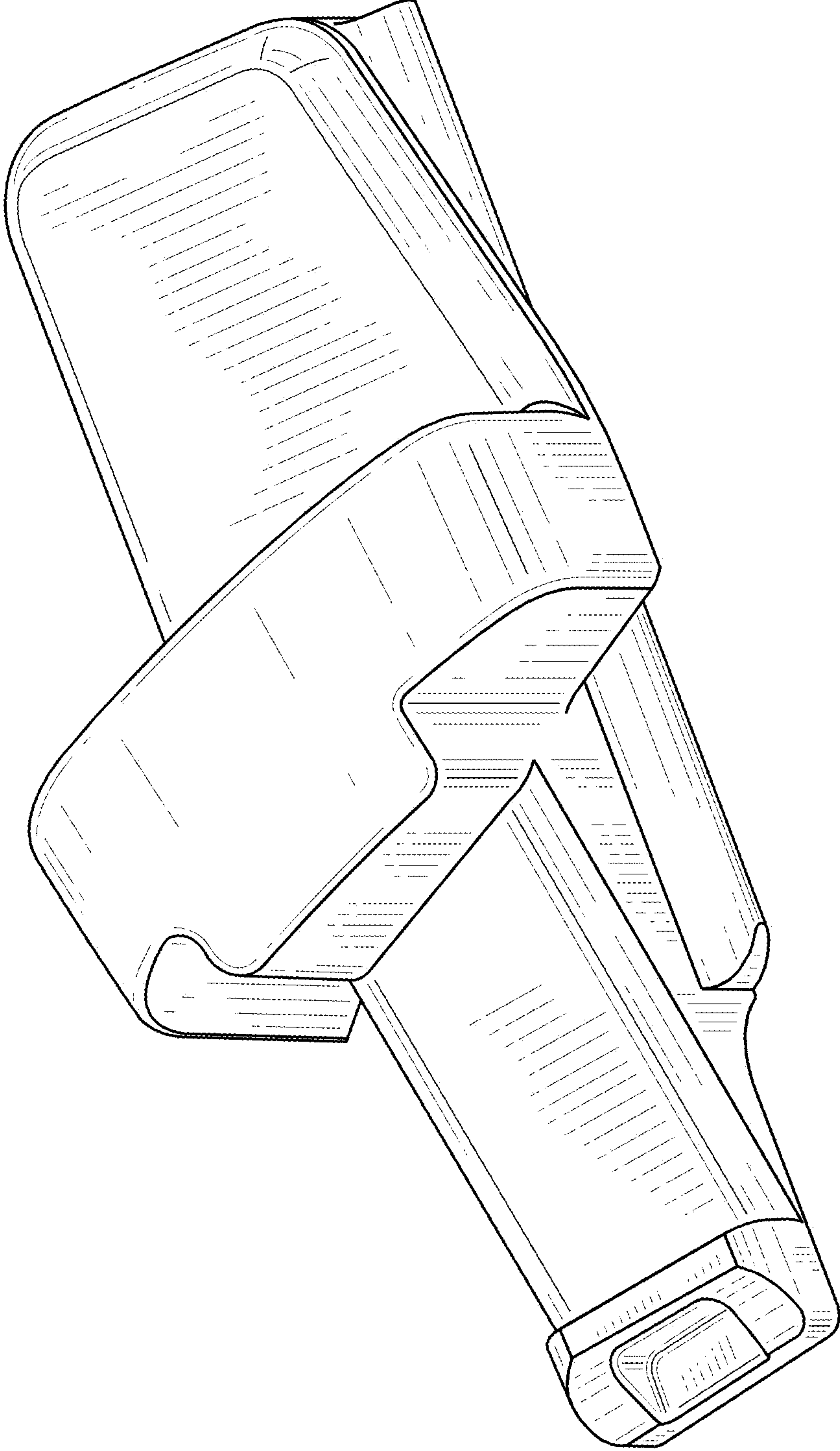


FIG. 8

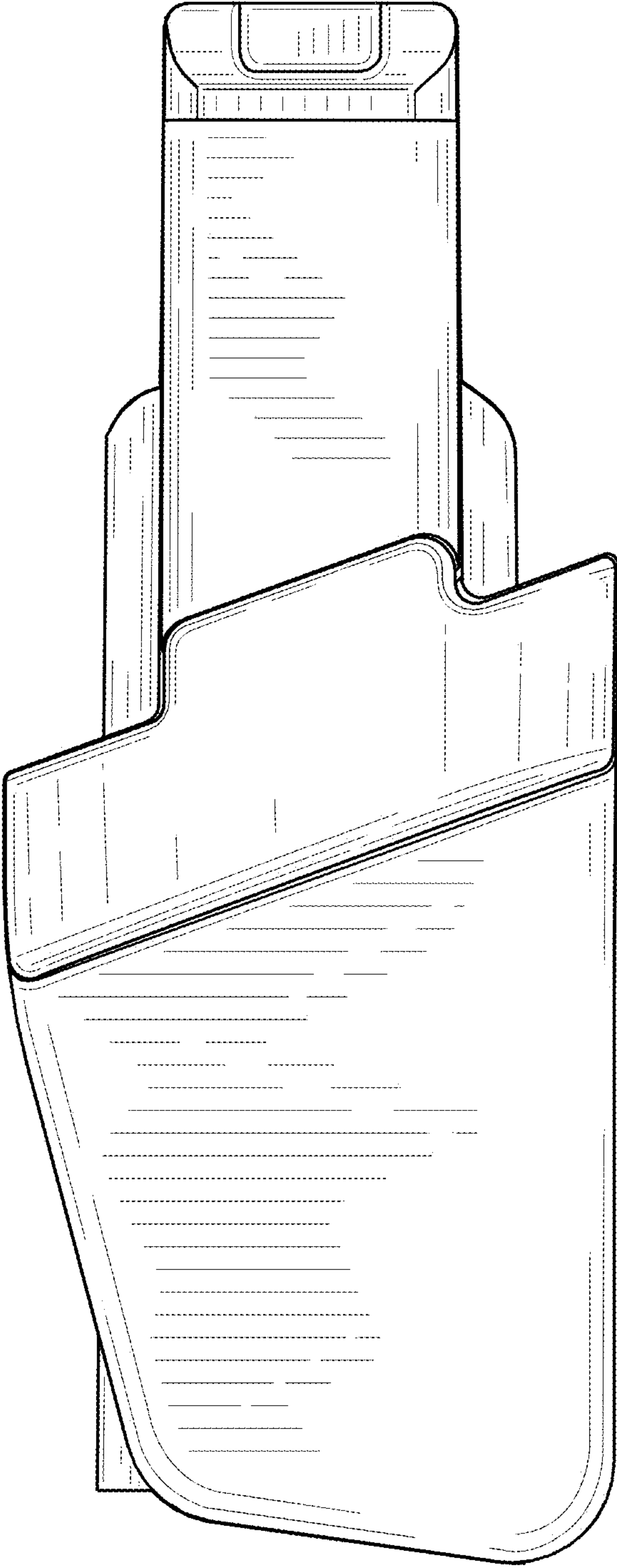


FIG. 9

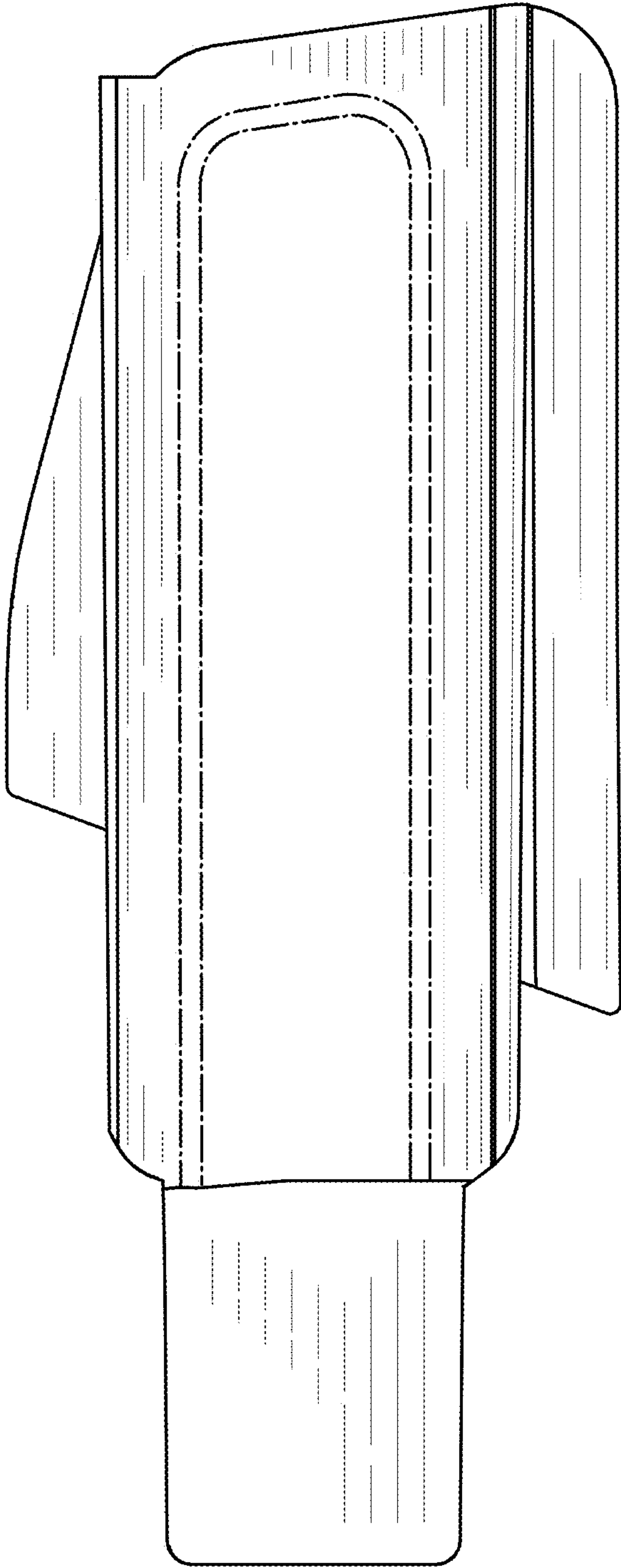


FIG. 10

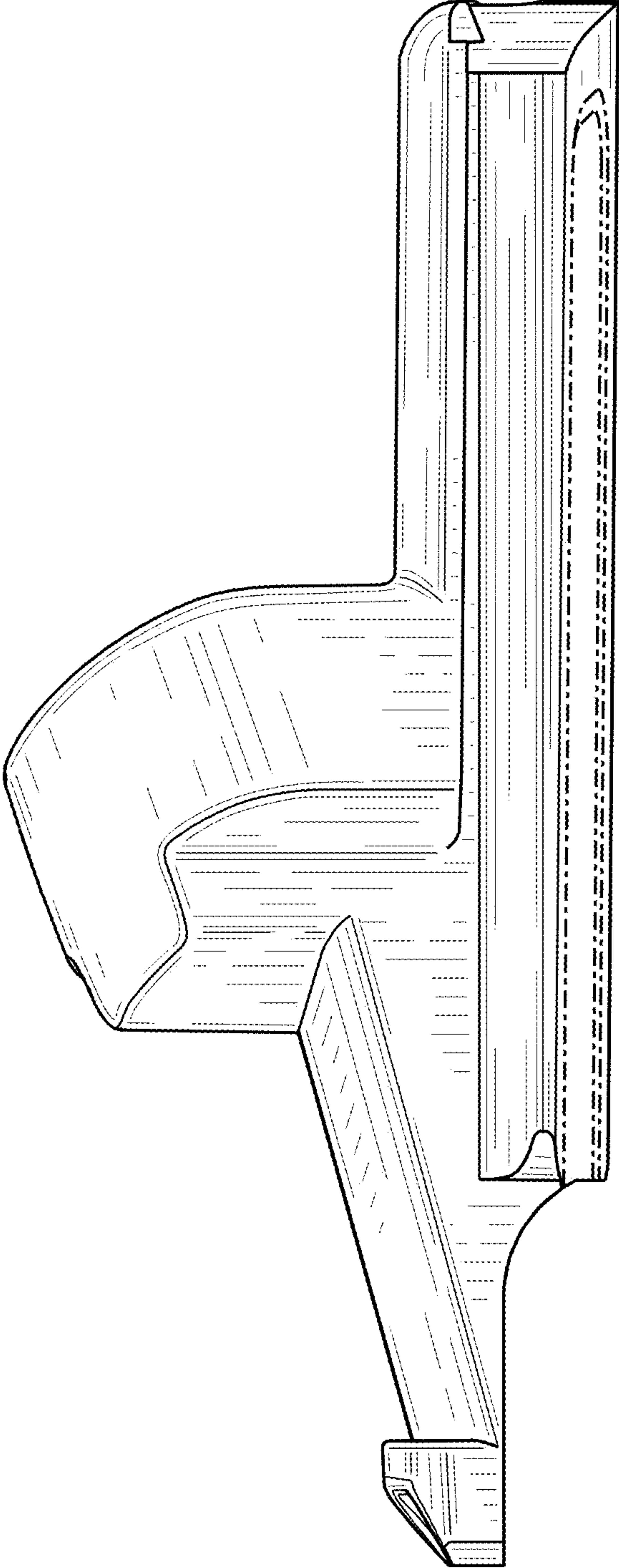


FIG. 11

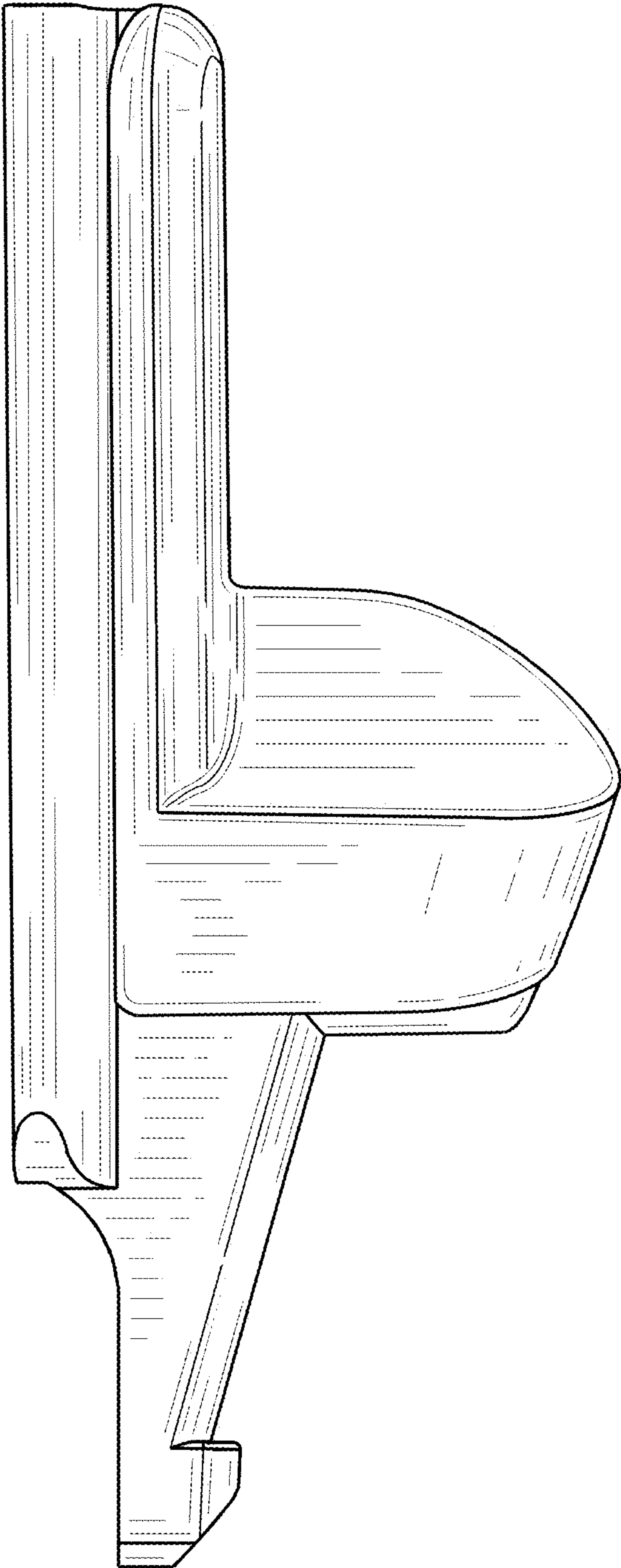


FIG. 12

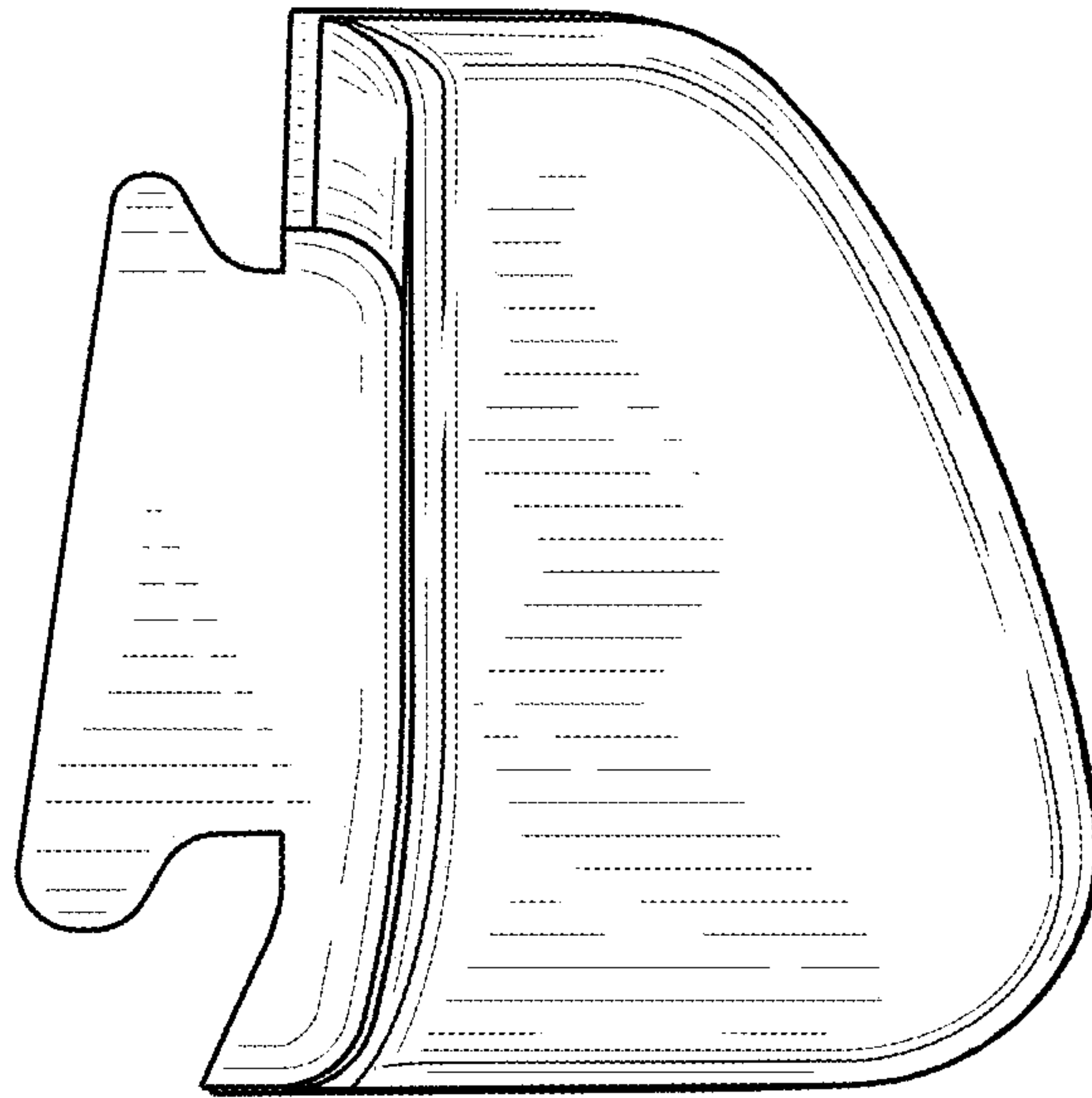


FIG. 13

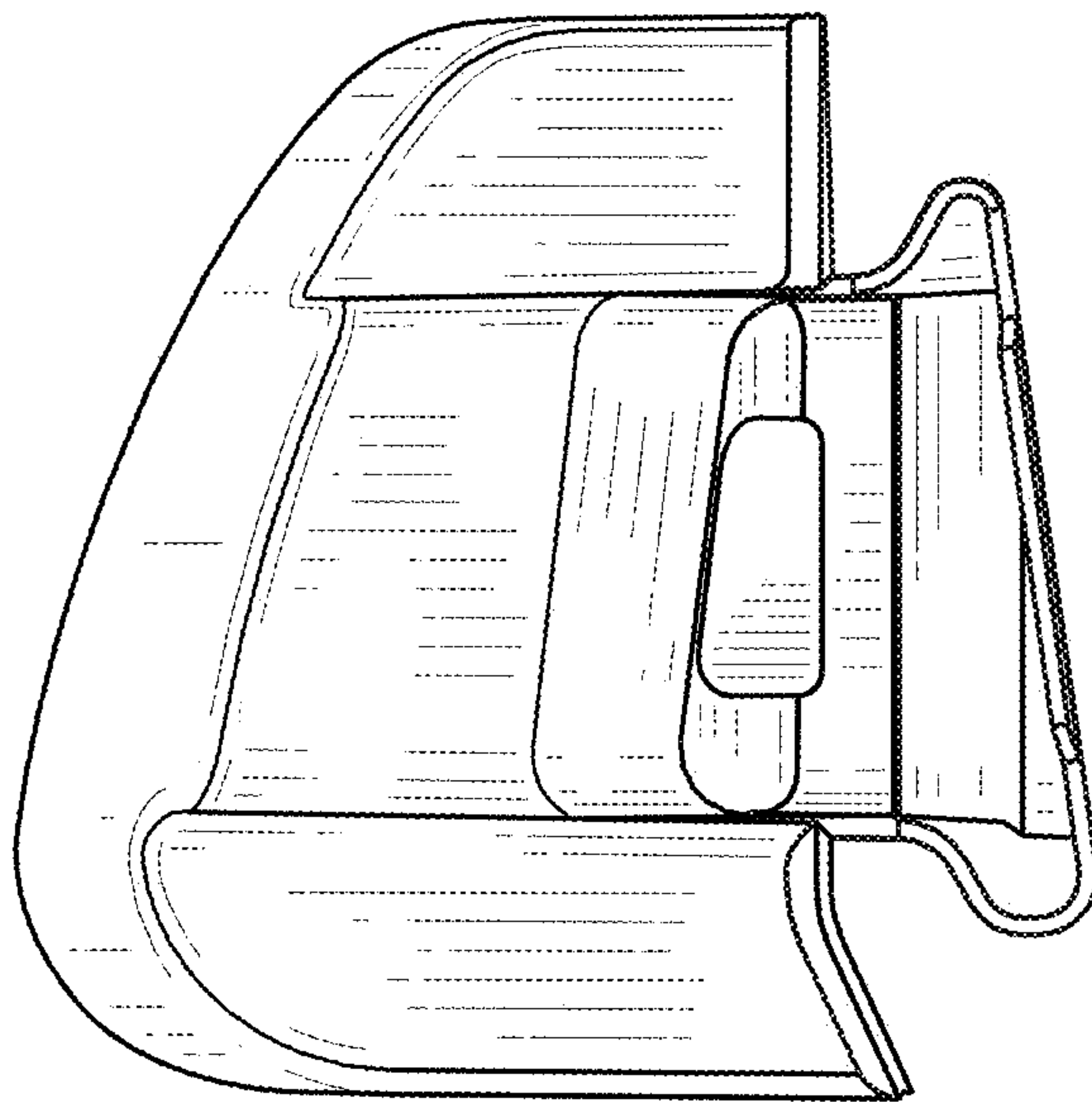


FIG. 14

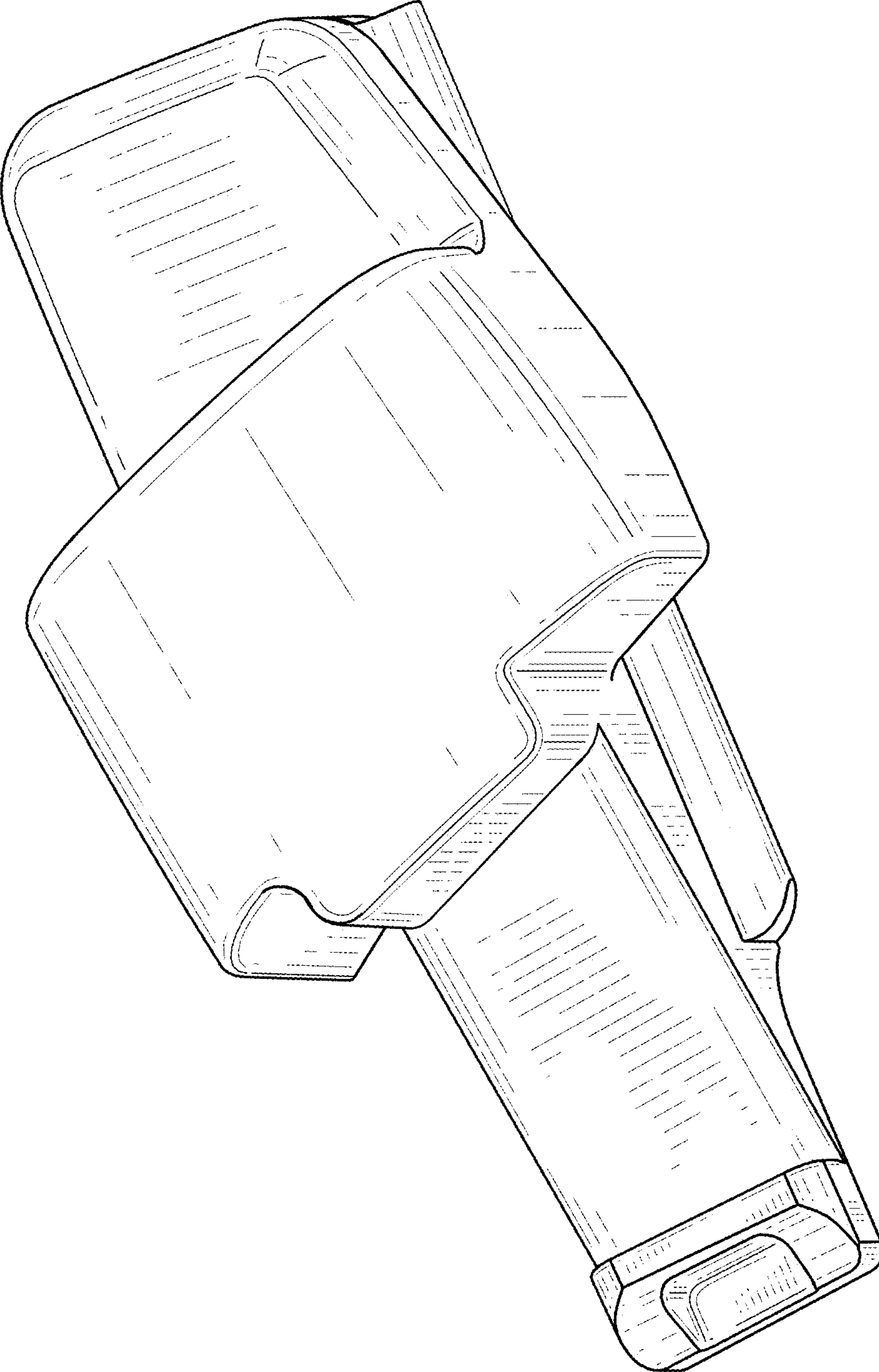


FIG. 15

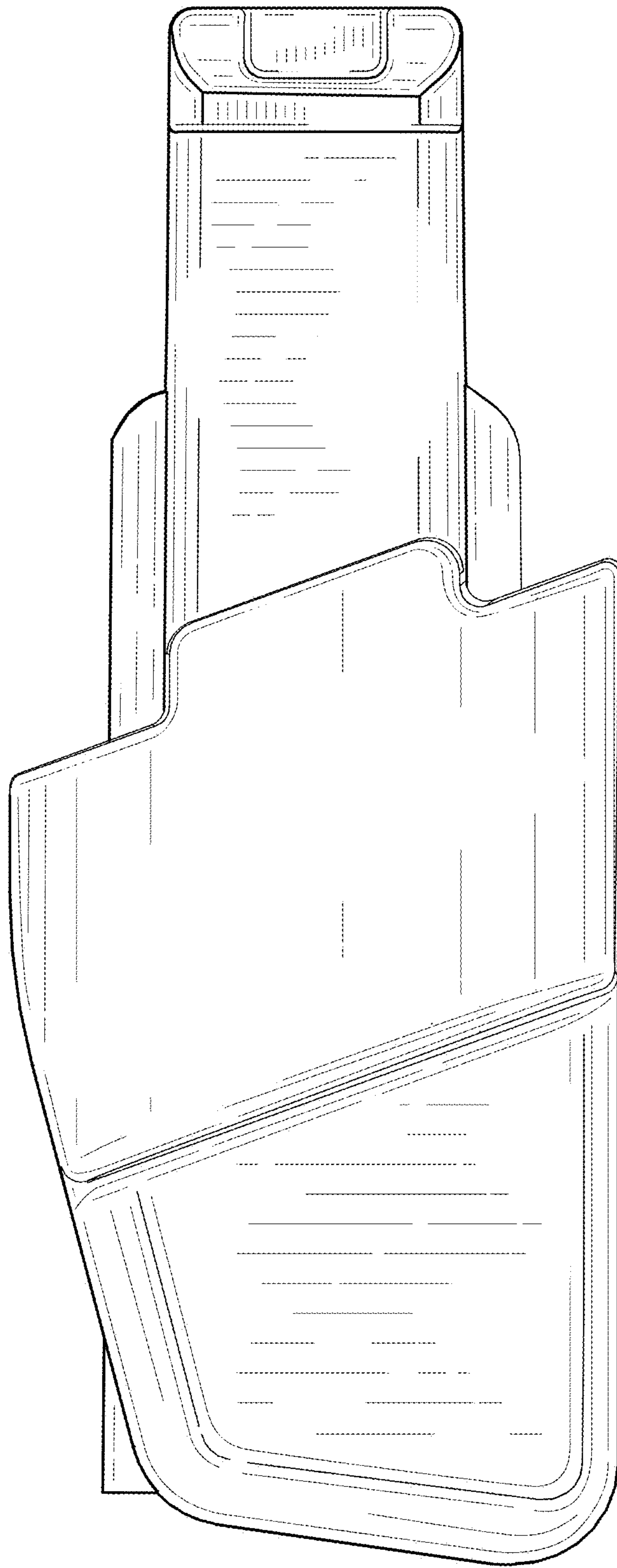


FIG. 16

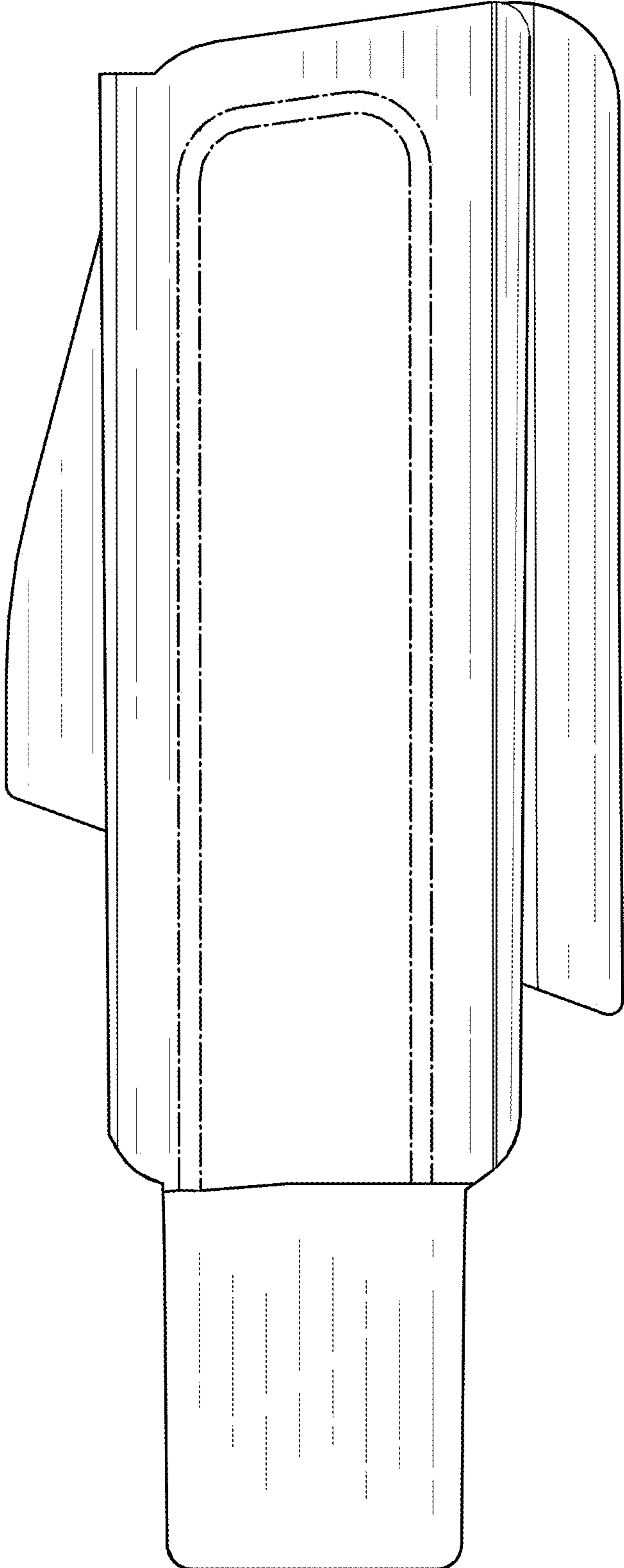


FIG. 17

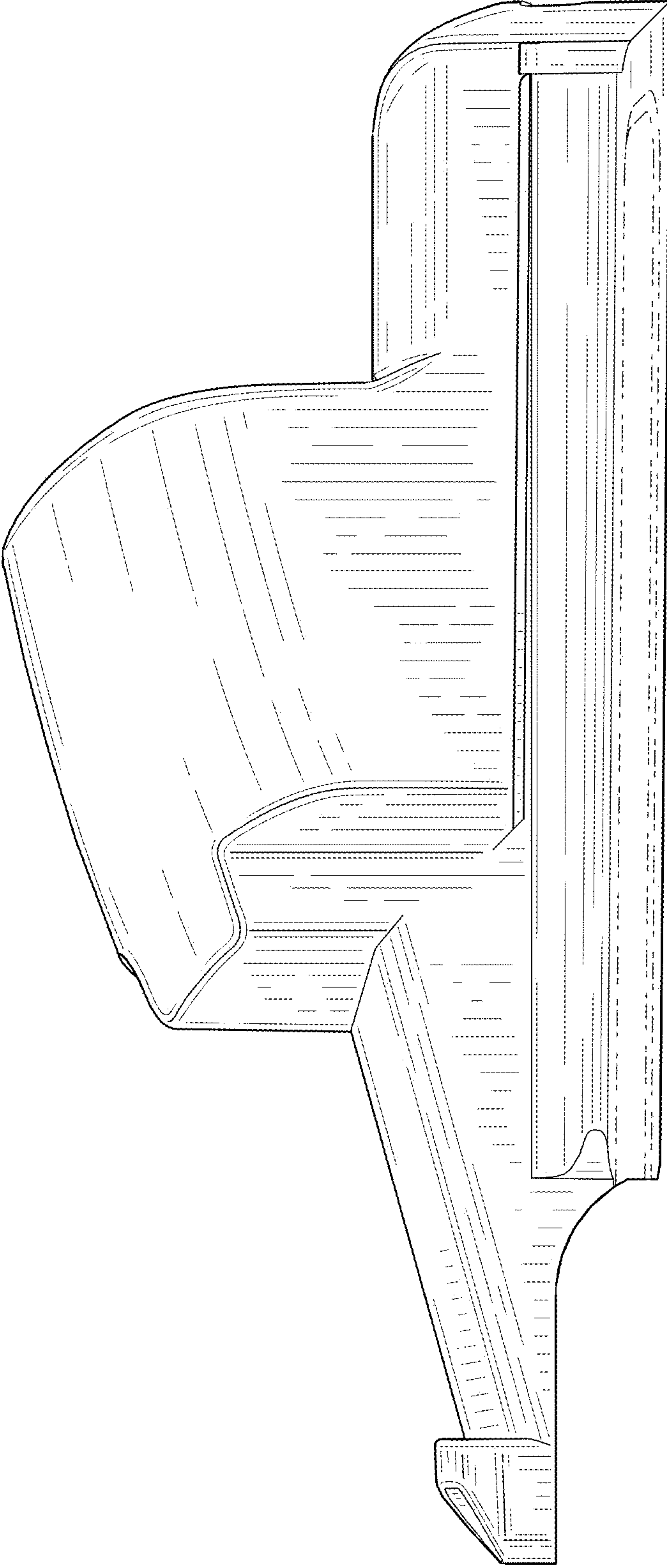


FIG. 18

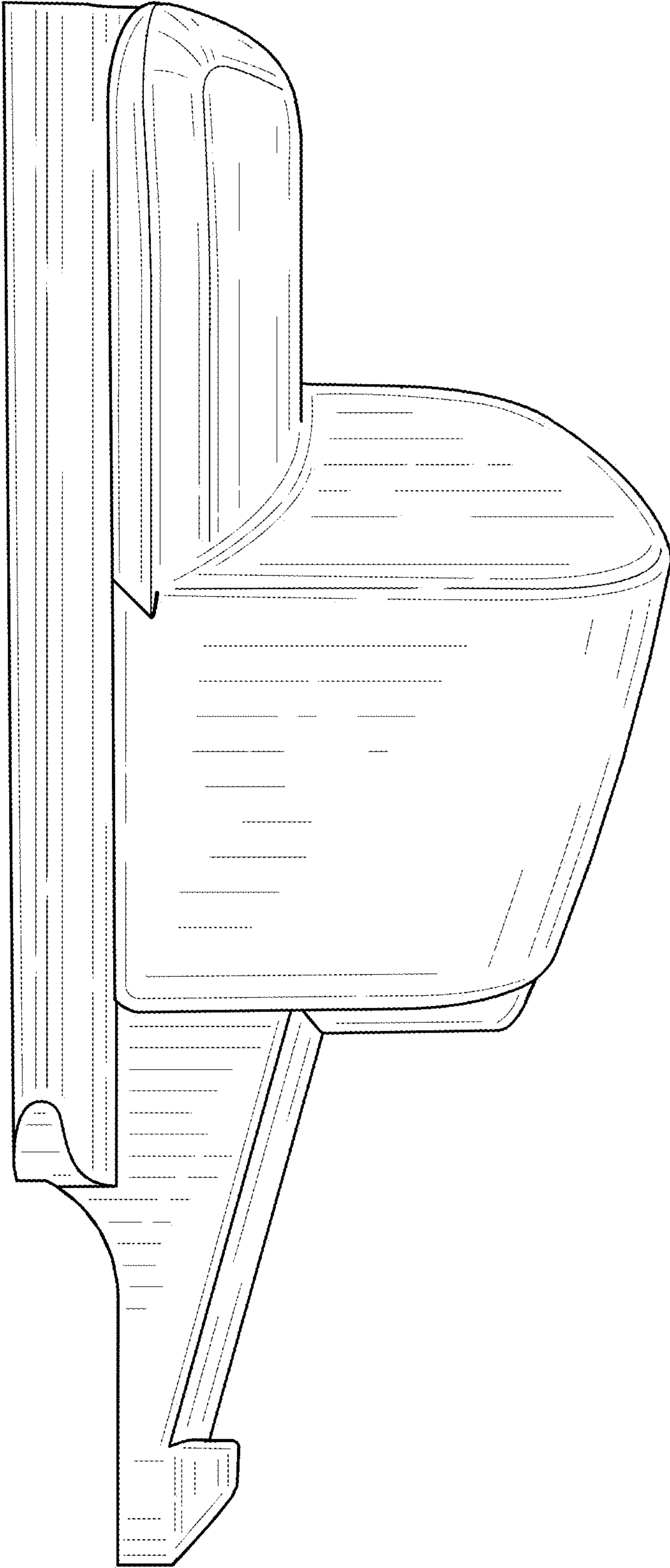


FIG. 19

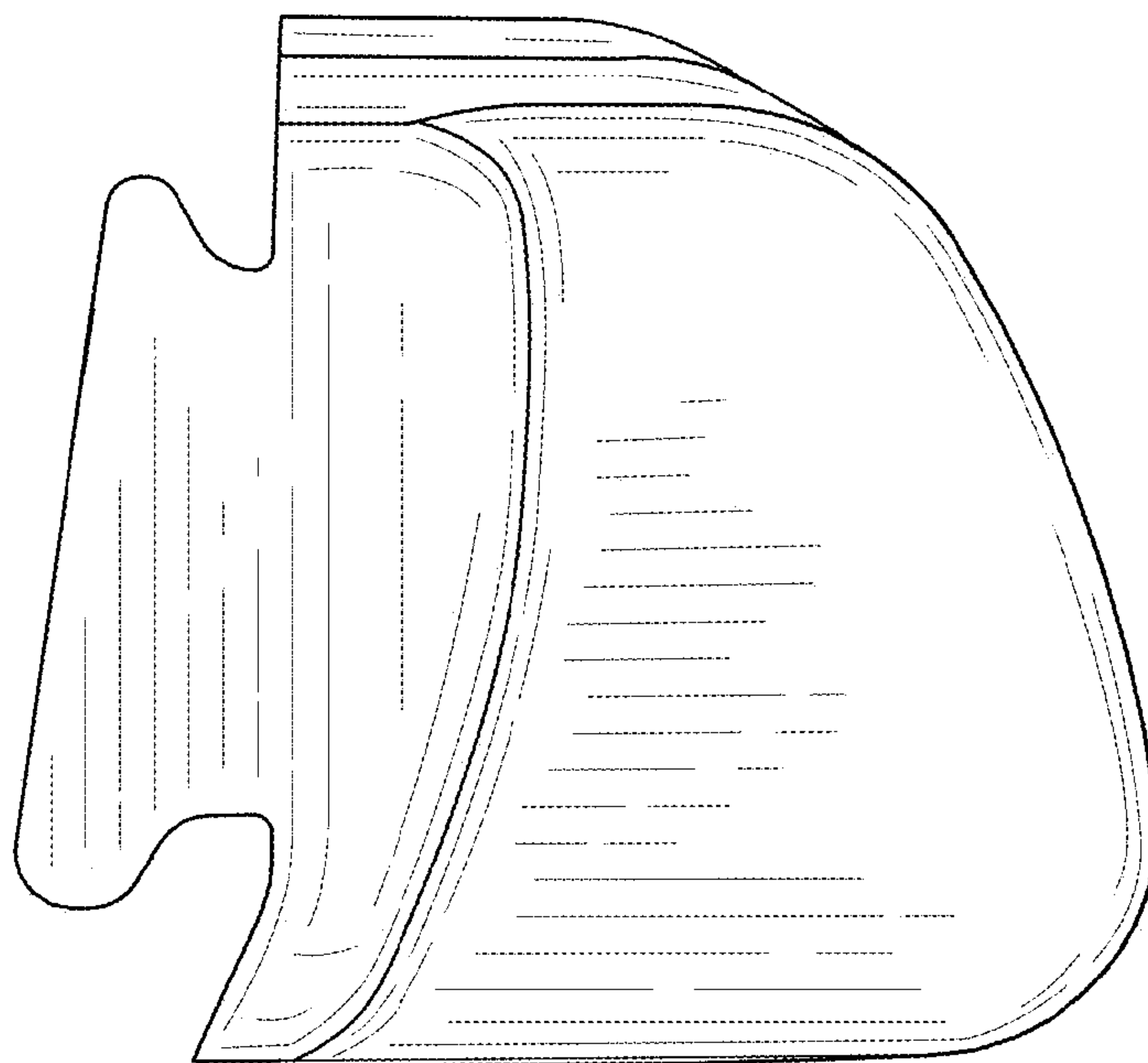


FIG. 20

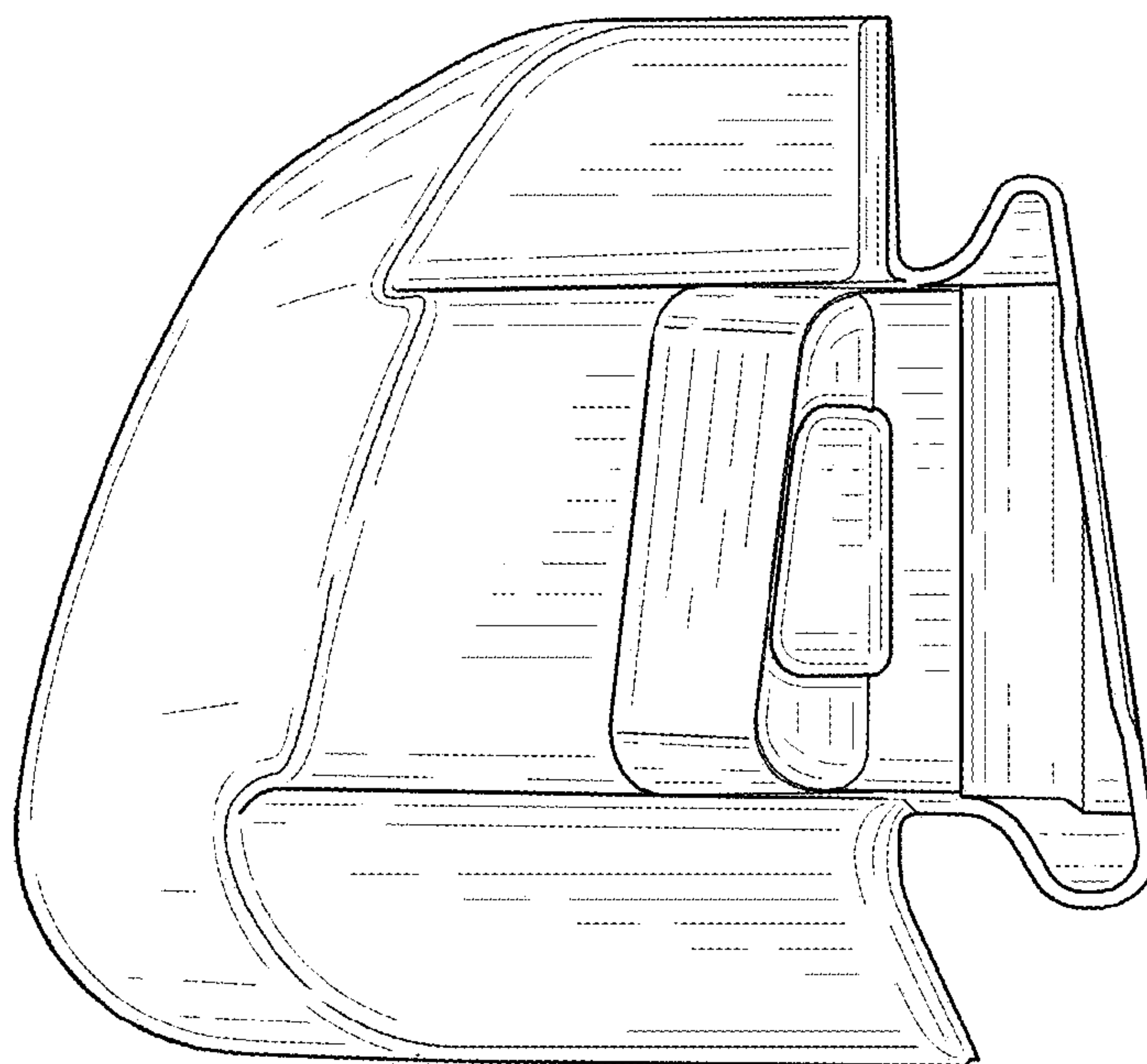


FIG. 21