



US00D718446S

(12) **United States Design Patent**
Yoshida et al.

(10) **Patent No.:** **US D718,446 S**
(45) **Date of Patent:** **** Nov. 25, 2014**

(54) **OPERATING GRIP FOR ENDOSCOPE**

(71) Applicant: **FUJIFILM Corporation**, Tokyo (JP)

(72) Inventors: **Koji Yoshida**, Kanagawa (JP); **Kunihiko Tanaka**, Kanagawa (JP)

(73) Assignee: **FUJIFILM Corporation**, Tokyo (JP)

(**) Term: **14 Years**

(21) Appl. No.: **29/448,258**

(22) Filed: **Mar. 11, 2013**

(30) **Foreign Application Priority Data**

Sep. 12, 2012 (JP) 2012-022107

(51) **LOC (10) Cl.** **24-02**

(52) **U.S. Cl.**
USPC **D24/138**

(58) **Field of Classification Search**
CPC .. A61B 1/00; A61B 1/00064; A61B 1/00066;
A61B 1/0669
USPC D24/138, 137, 133, 135, 140;
600/101-183
See application file for complete search history.

(56) **References Cited**

U.S. PATENT DOCUMENTS

D668,762 S * 10/2012 Makowski et al. D24/138
D669,174 S * 10/2012 Makowski et al. D24/138

D669,175 S * 10/2012 Makowski et al. D24/138
2003/0216613 A1 * 11/2003 Suzuki et al. 600/104
2008/0119696 A1 * 5/2008 Moriyama 600/146
2009/0048487 A1 * 2/2009 Yanuma 600/139
2013/0012780 A1 * 1/2013 Nakamura et al. 600/122

* cited by examiner

Primary Examiner — Bridget L Eland

(74) *Attorney, Agent, or Firm* — Sughrue Mion, PLLC

(57) **CLAIM**

The ornamental design for an operating grip for endoscope, as shown and described.

DESCRIPTION

FIG. 1 is a top, front and side perspective view of an operating grip for endoscope showing our new design; FIG. 2 is a bottom, front and side perspective view thereof; FIG. 3 is a top, rear and side perspective view thereof; FIG. 4 is a front elevational view thereof; FIG. 5 is a rear elevational view thereof; FIG. 6 is a top plan view thereof; FIG. 7 is a bottom plan view thereof; FIG. 8 is a left side elevational view thereof; FIG. 9 is a right side elevational view thereof; and, FIG. 10 is an enlarged partial front elevational view thereof. The broken lines in the drawings are included for the purpose of illustrating portions of the operating grip for endoscope that form no part of the claimed design.

1 Claim, 10 Drawing Sheets

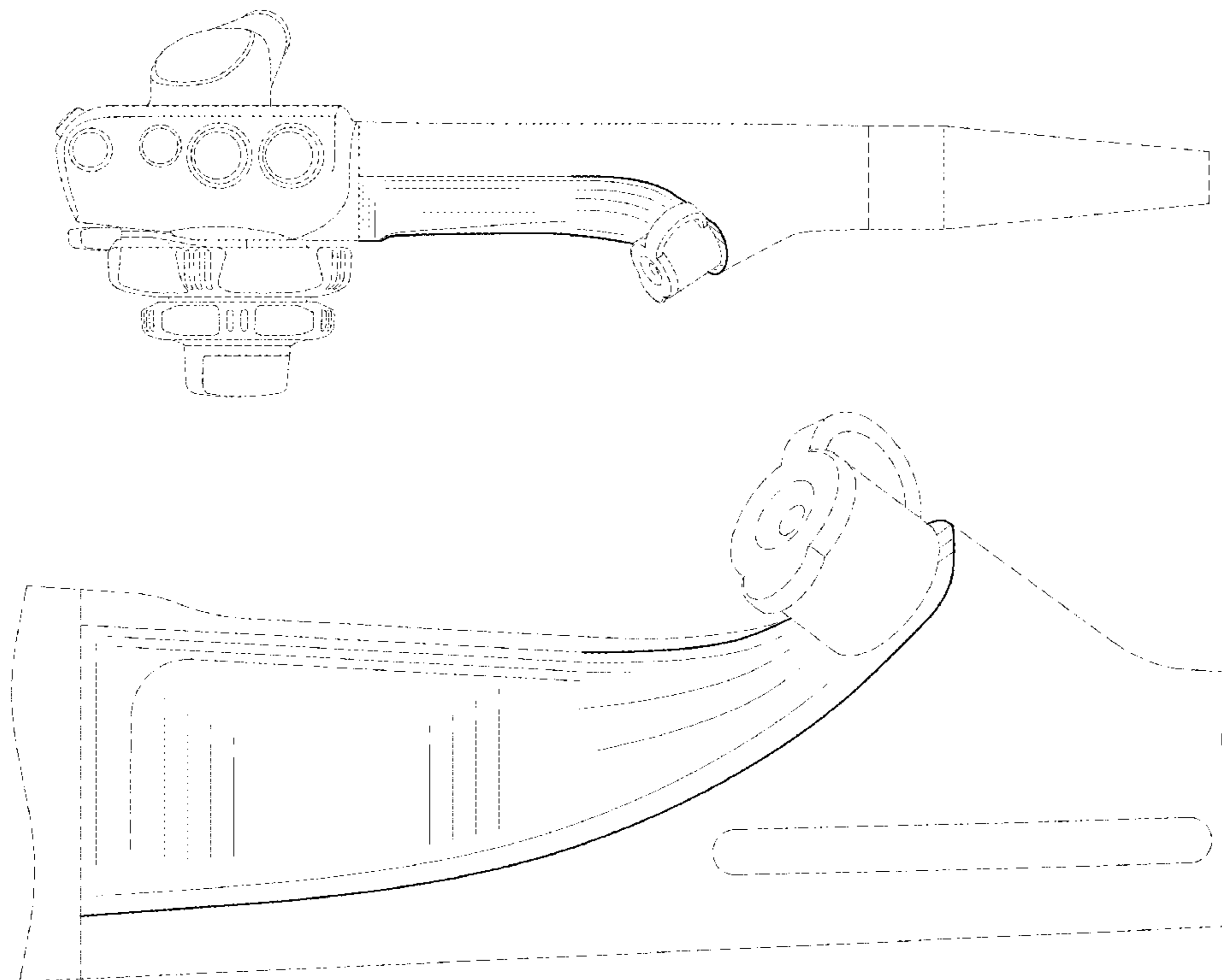


FIG.1

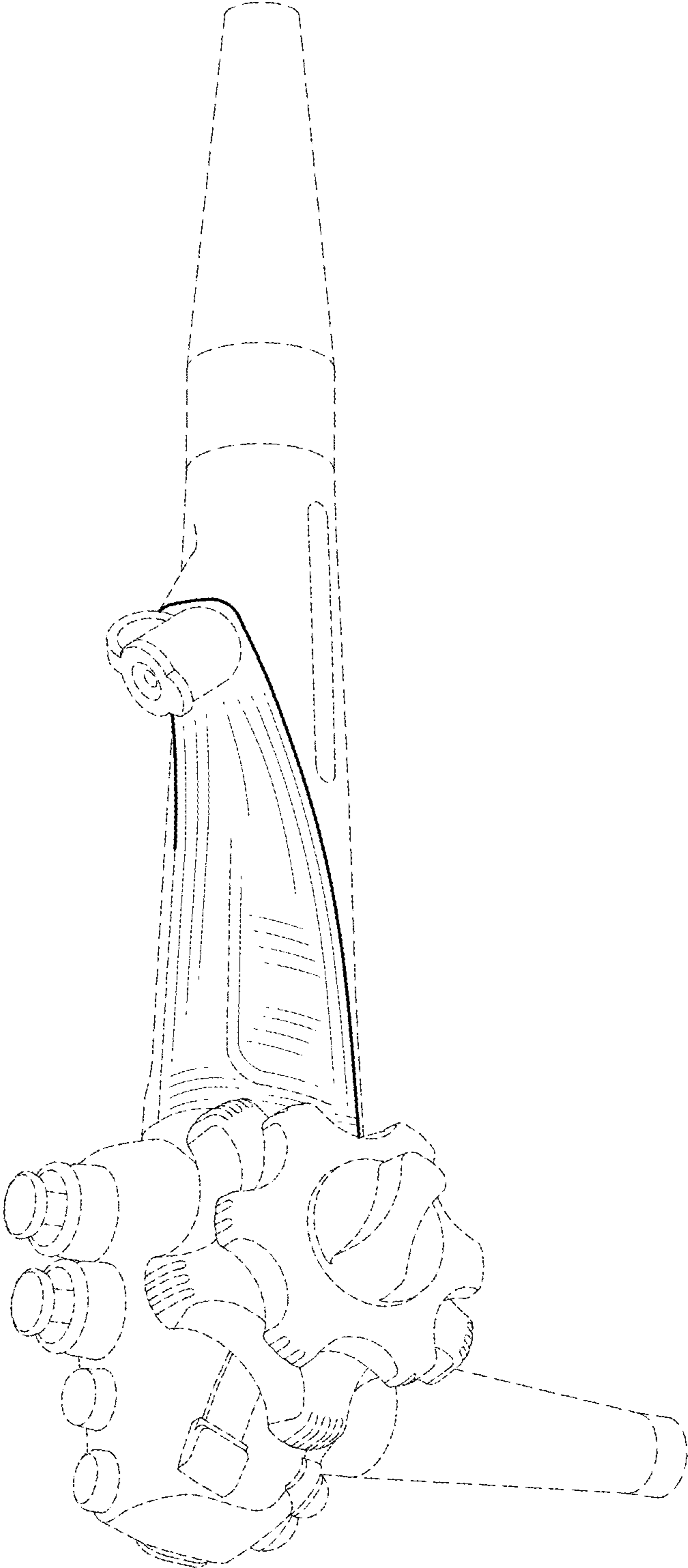


FIG. 2

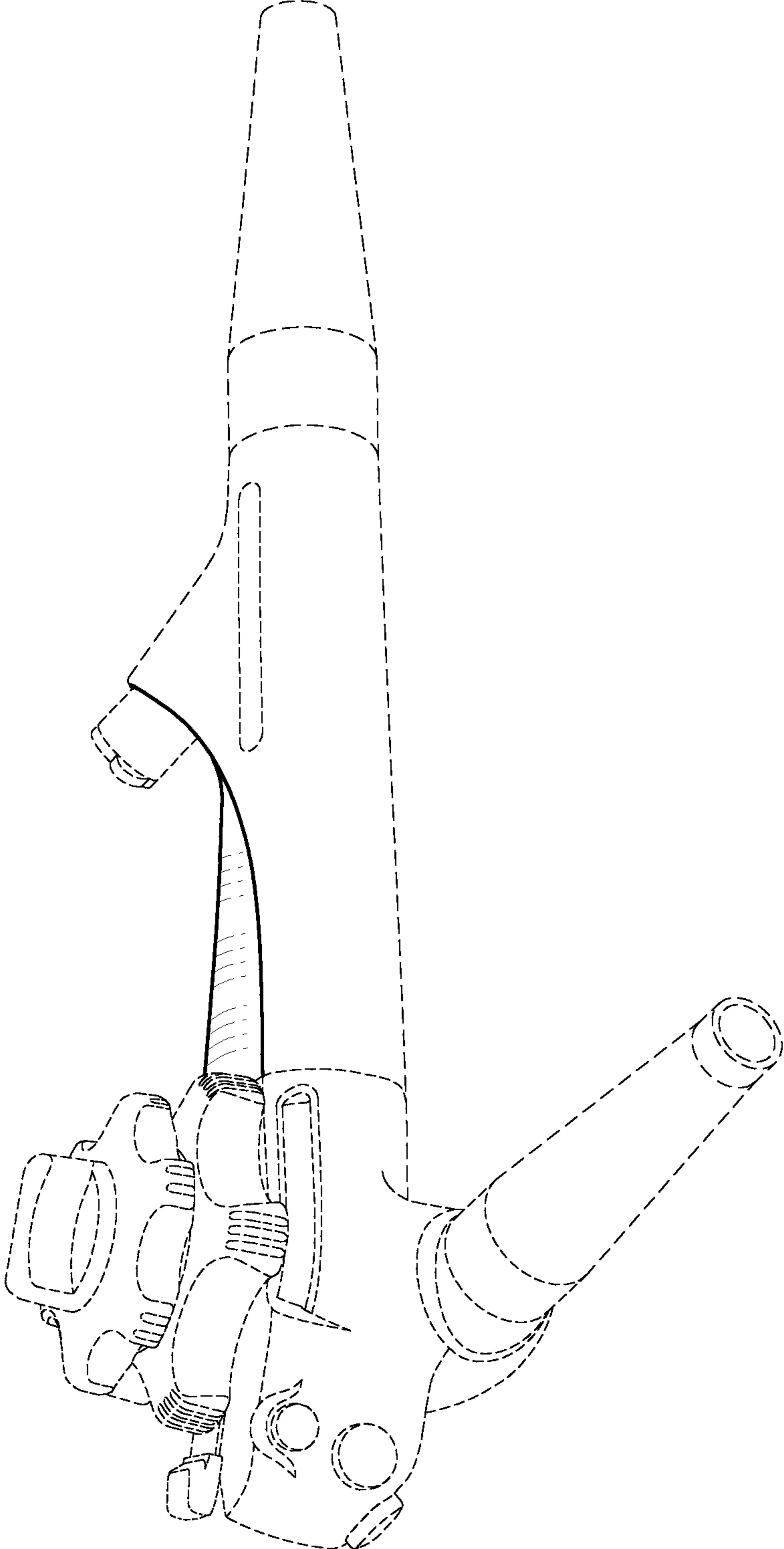


FIG. 3

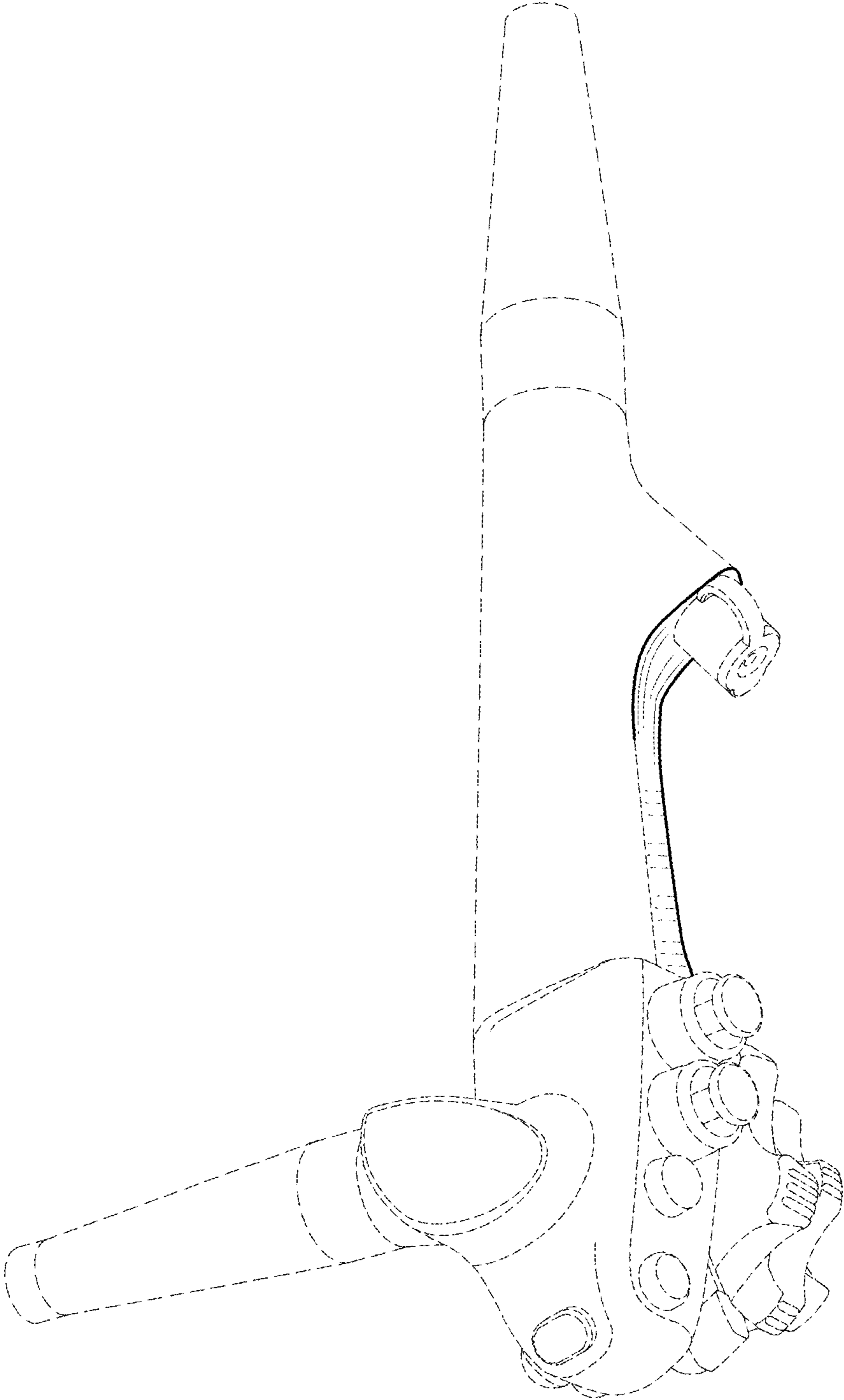


FIG. 4

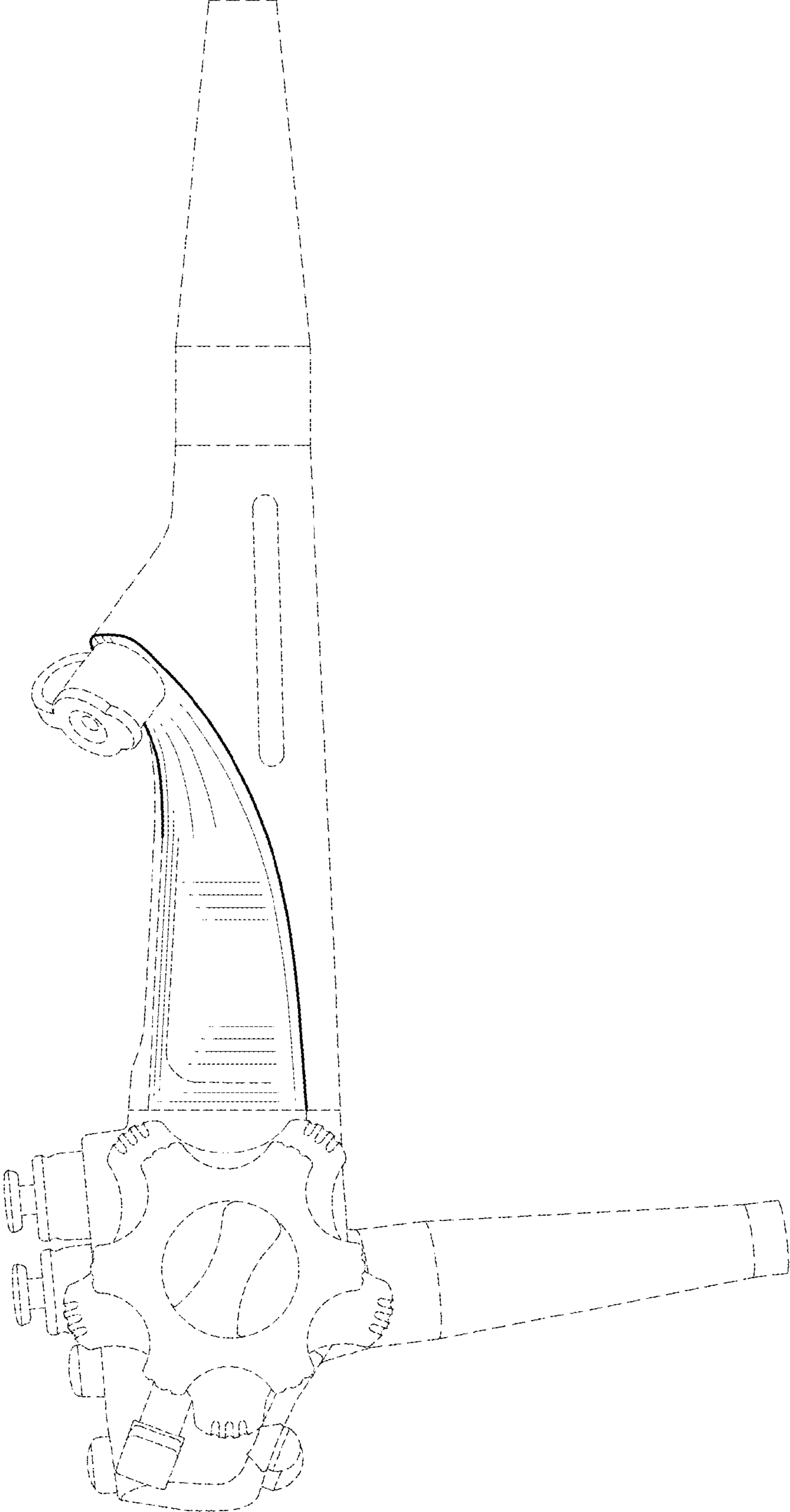


FIG. 5

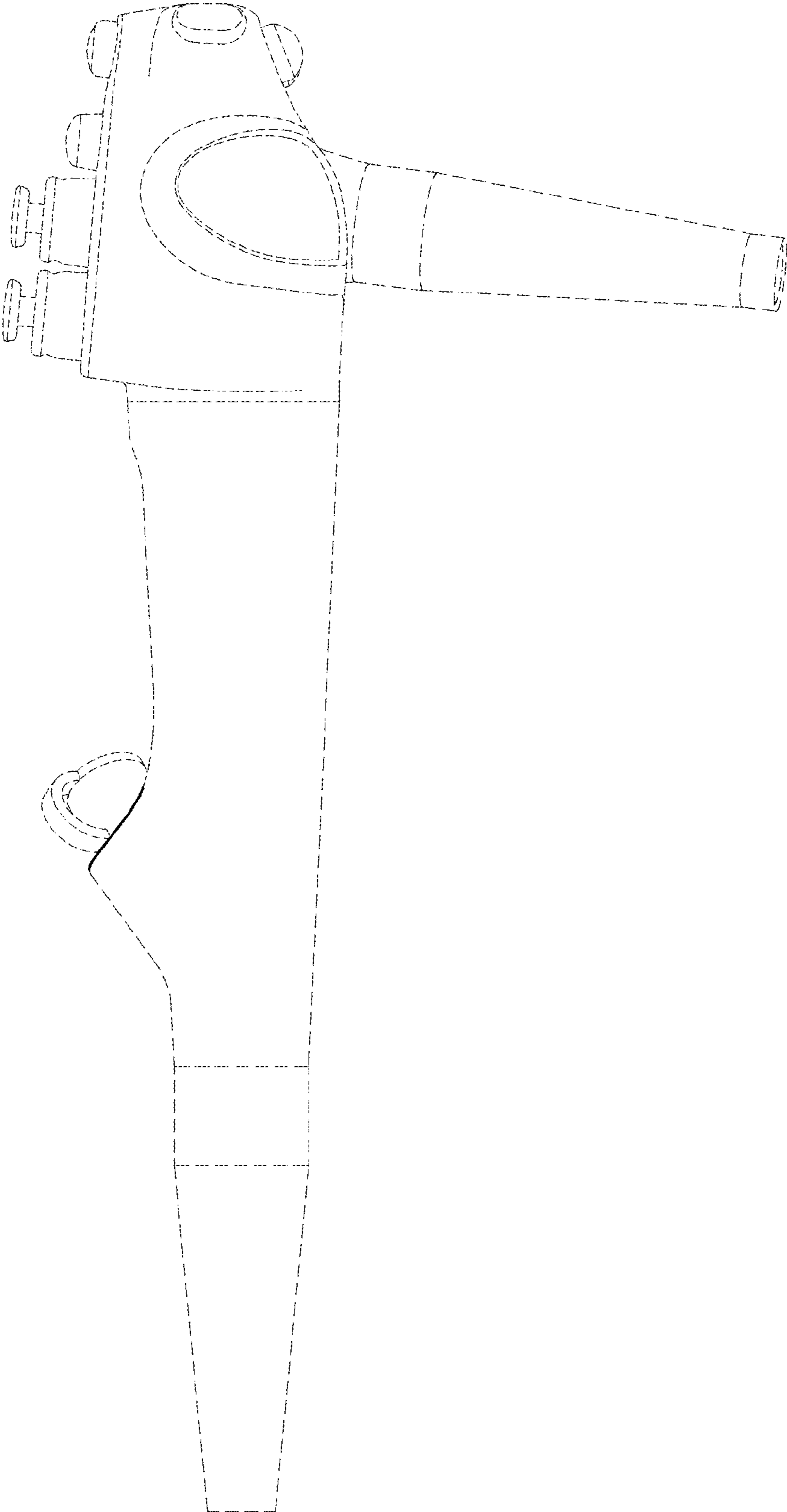


FIG. 6

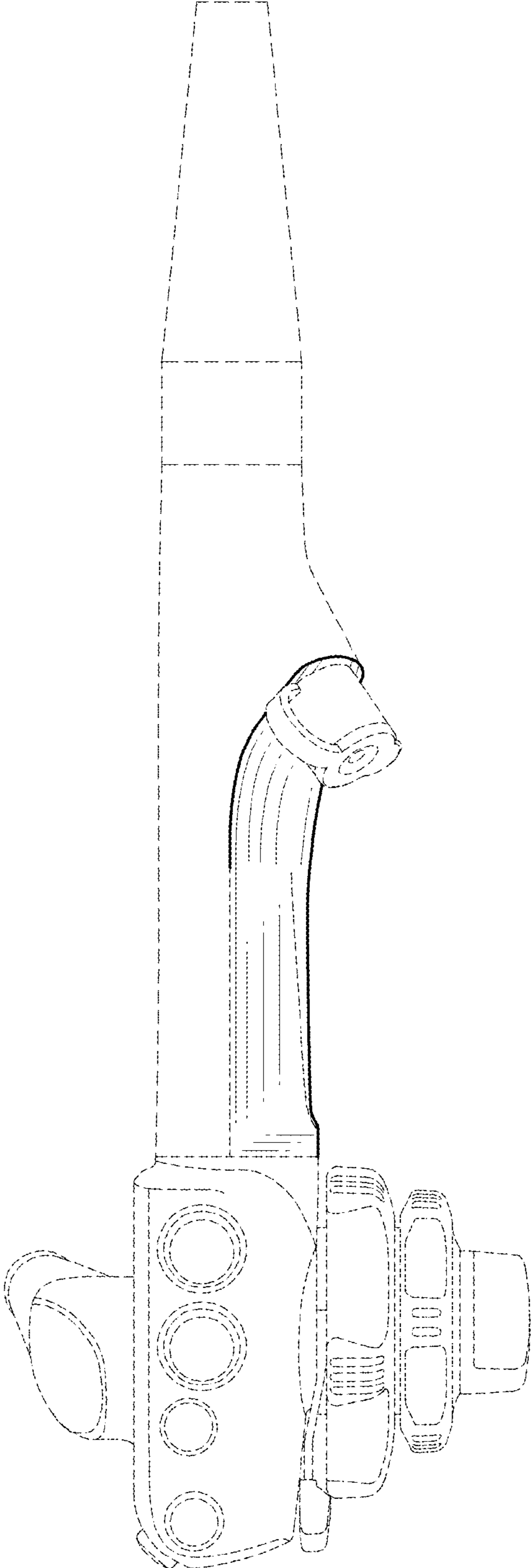


FIG. 7

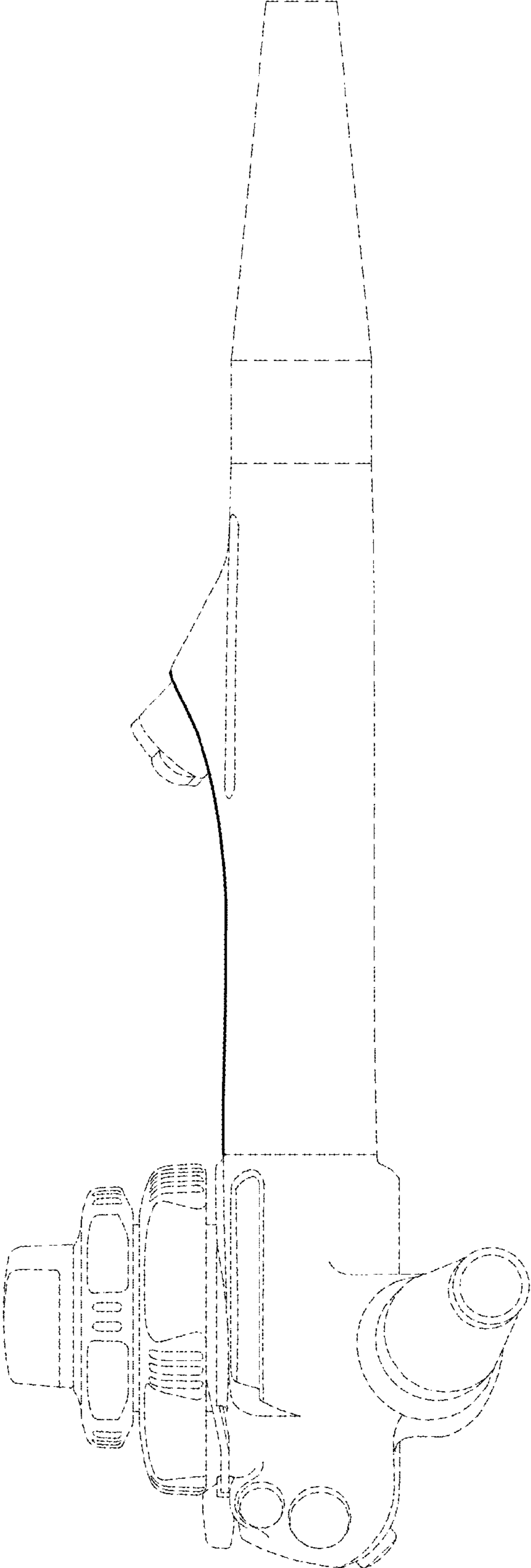


FIG.8

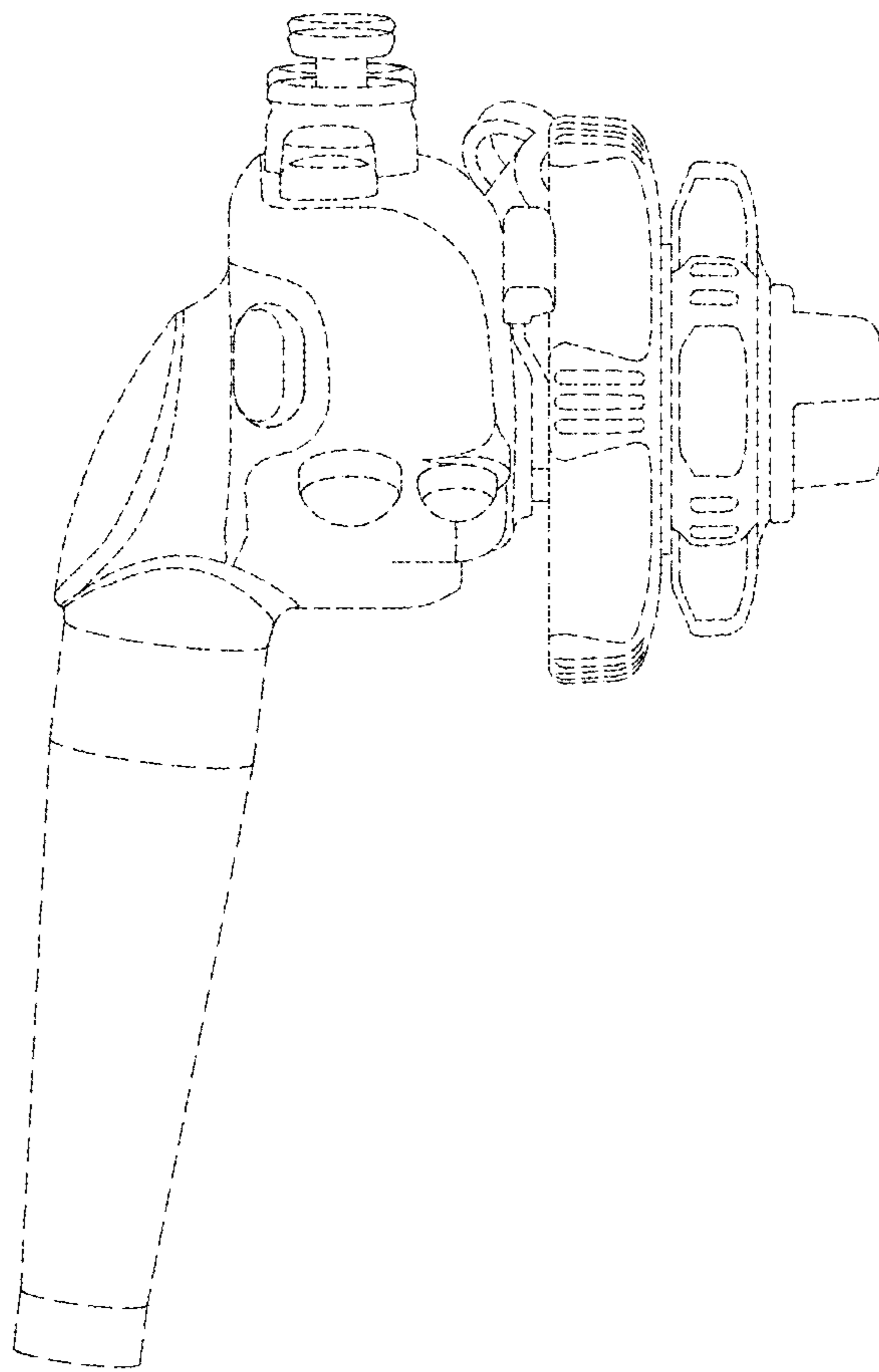


FIG. 9

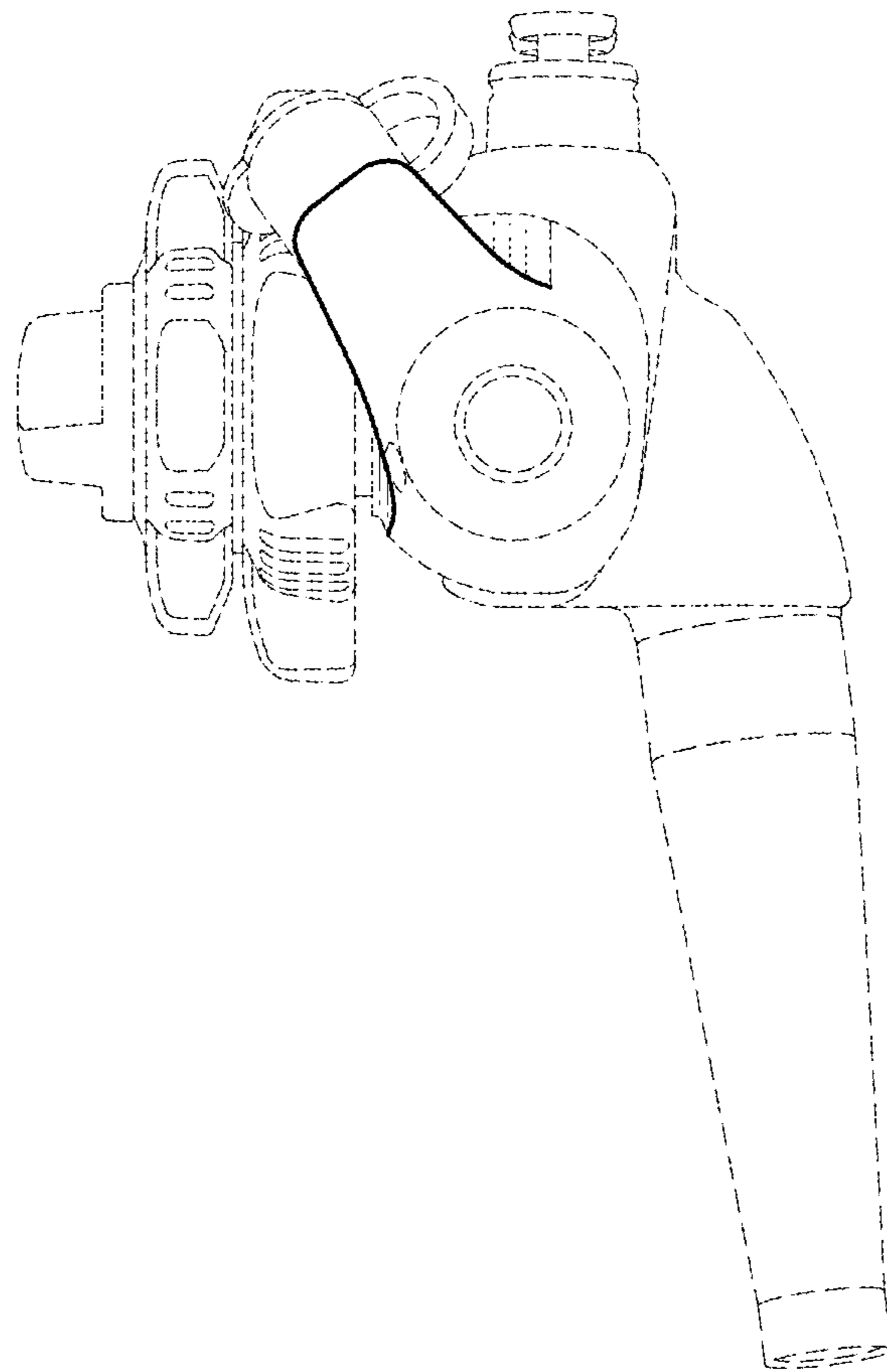


FIG. 10

