



US00D718445S

(12) **United States Design Patent**
Yoshida et al.

(10) **Patent No.:** **US D718,445 S**

(45) **Date of Patent:** **** Nov. 25, 2014**

(54) **OPERATING GRIP FOR ENDOSCOPE**

(71) Applicant: **FUJIFILM Corporation**, Minato-ku, Tokyo (JP)

(72) Inventors: **Koji Yoshida**, Ashigarakami-gun (JP);
Kunihiko Tanaka, Ashigarakami-gun (JP)

(73) Assignee: **FUJIFILM Corporation**, Tokyo (JP)

(**) Term: **14 Years**

(21) Appl. No.: **29/448,254**

(22) Filed: **Mar. 11, 2013**

(30) **Foreign Application Priority Data**

Sep. 12, 2012 (JP) 2012-022106

(51) **LOC (10) Cl.** **24-02**

(52) **U.S. Cl.**
USPC **D24/138**

(58) **Field of Classification Search**
CPC .. A61B 1/00; A61B 1/00064; A61B 1/00066;
A61B 1/0669
USPC D24/138, 137, 133, 135, 140;
600/101-183
See application file for complete search history.

(56) **References Cited**

U.S. PATENT DOCUMENTS

D277,406 S *	1/1985	Imada	D24/138
D486,910 S *	2/2004	Hayamizu et al.	D24/138
D493,529 S *	7/2004	Hayamizu et al.	D24/138
D498,846 S *	11/2004	Hayamizu et al.	D24/138
6,852,077 B2 *	2/2005	Ouchi et al.	600/122
D548,327 S *	8/2007	Fedenia et al.	D24/108

D553,242 S *	10/2007	Fedenia et al.	D24/108
D638,937 S *	5/2011	Tanaka	D24/138
D641,470 S *	7/2011	Hayamizu	D24/138
D648,023 S *	11/2011	Nohara et al.	D24/138
D649,244 S *	11/2011	Nohara et al.	D24/138
8,182,419 B2 *	5/2012	Kohno	600/158
D668,762 S *	10/2012	Makowski et al.	D24/138
D669,174 S *	10/2012	Makowski et al.	D24/138
D669,175 S *	10/2012	Makowski et al.	D24/138
2001/0018552 A1 *	8/2001	Akiba	600/146
2002/0091303 A1 *	7/2002	Ootawara et al.	600/106
2002/0188174 A1 *	12/2002	Aizawa et al.	600/118
2003/0216613 A1 *	11/2003	Suzuki et al.	600/104
2008/0119696 A1 *	5/2008	Moriyama	600/146
2009/0048487 A1 *	2/2009	Yanuma	600/139
2011/0046442 A1 *	2/2011	Matsushita	600/114
2011/0077463 A1 *	3/2011	Hirota	600/114
2013/0012780 A1 *	1/2013	Nakamura et al.	600/122
2014/0187864 A1 *	7/2014	Kubo	600/139

* cited by examiner

Primary Examiner — Bridget L Eland

(74) *Attorney, Agent, or Firm* — Sughrue Mion, PLLC

(57) **CLAIM**

The ornamental design for an operating grip for endoscope, as shown and described.

DESCRIPTION

FIG. 1 is a top, front and side perspective view of an operating grip for endoscope showing our new design;
FIG. 2 is a bottom, front and side perspective view thereof;
FIG. 3 is a top, rear and side perspective view thereof;
FIG. 4 is a front elevational view thereof;
FIG. 5 is a rear elevational view thereof;
FIG. 6 is a top plan view thereof;
FIG. 7 is a bottom plan view thereof;
FIG. 8 is a left side elevational view thereof; and,
FIG. 9 is a right side elevational view thereof.

1 Claim, 9 Drawing Sheets

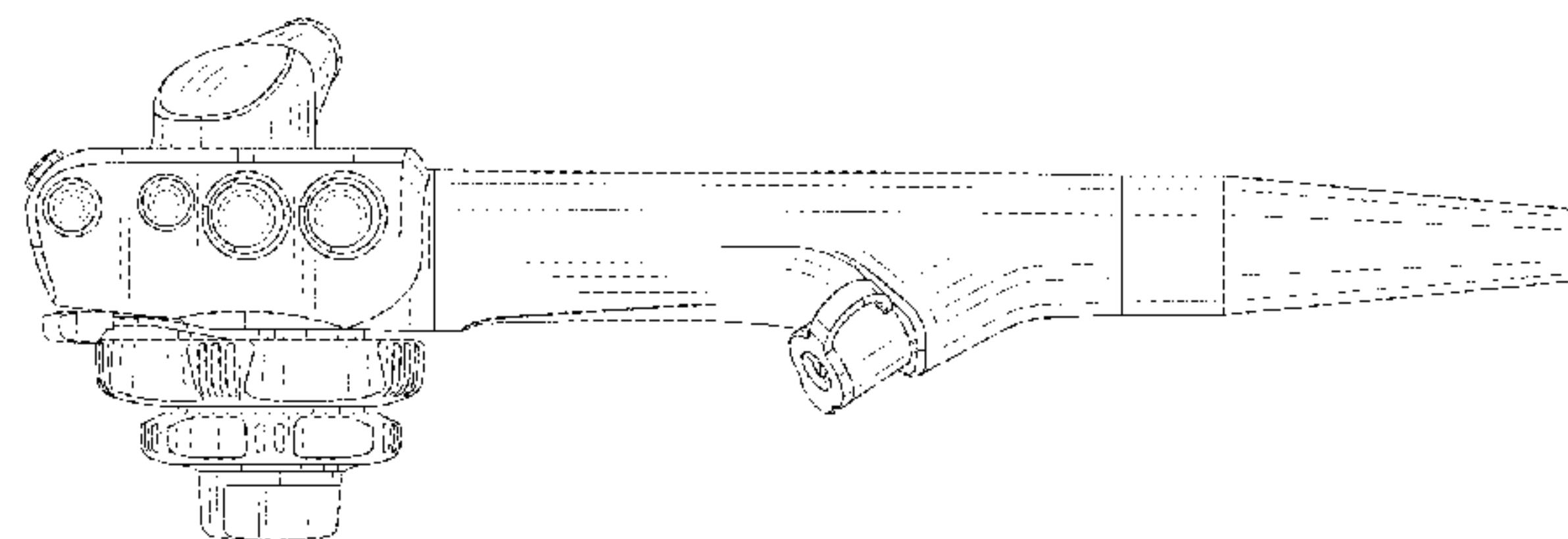
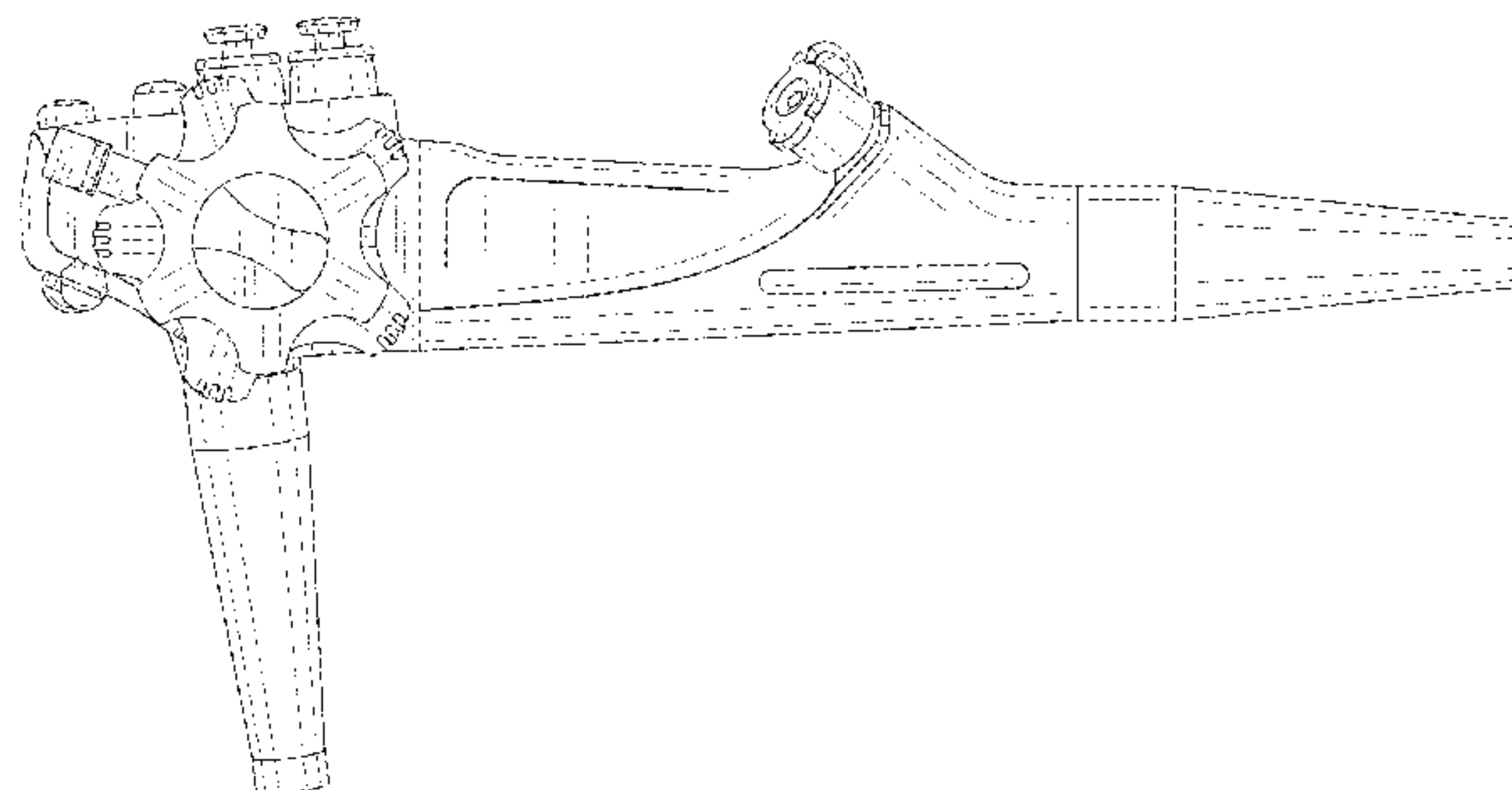


FIG.1

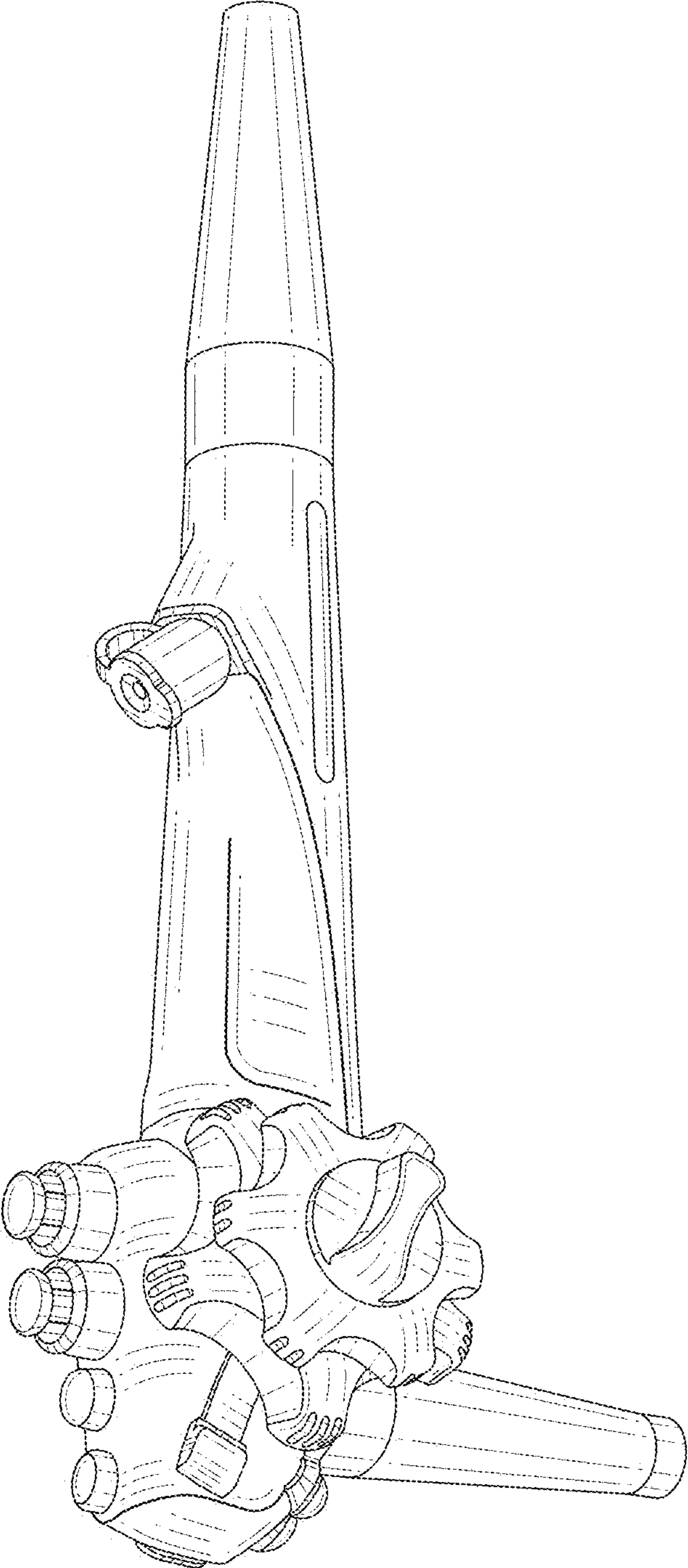


FIG. 2

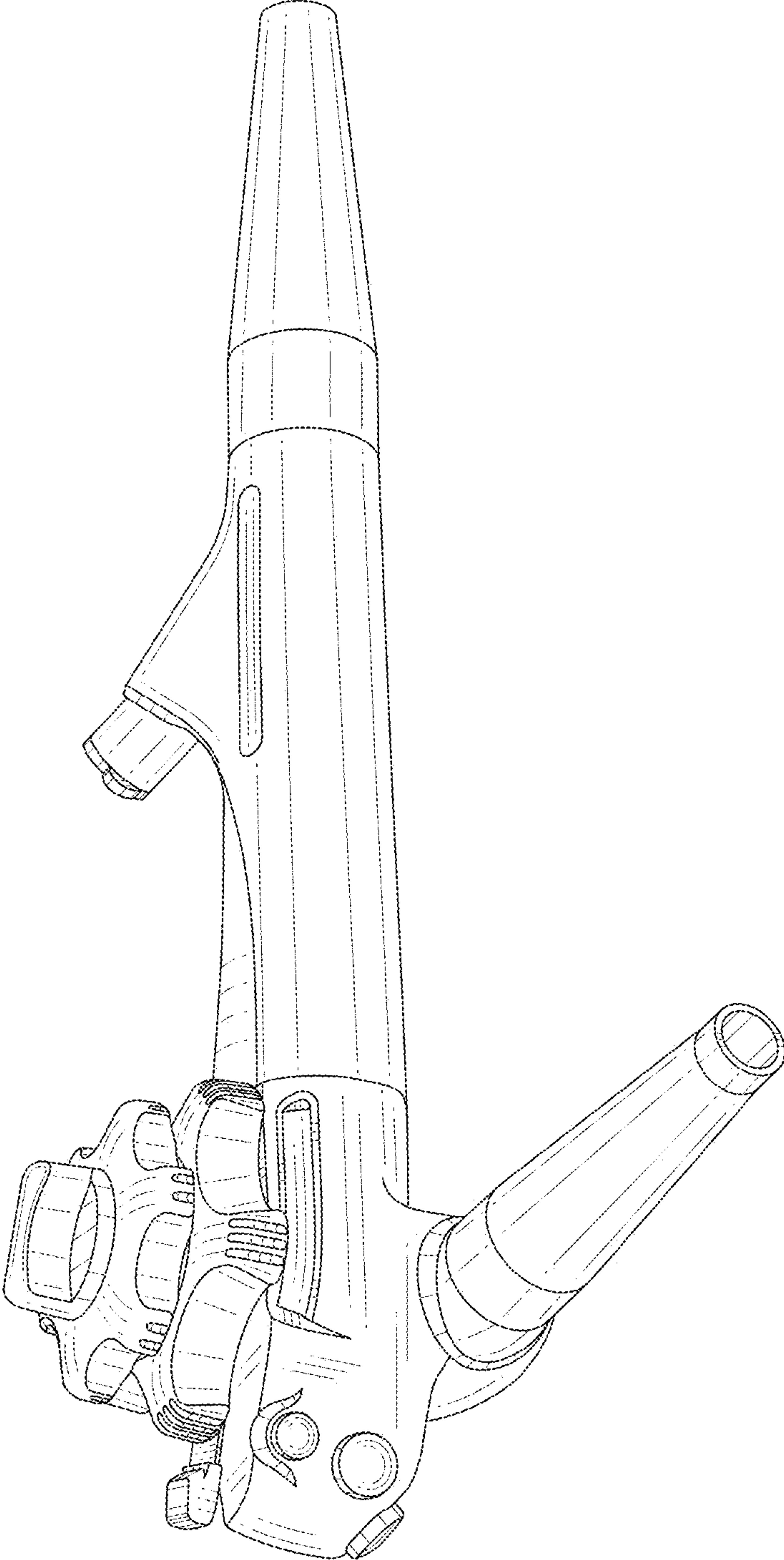


FIG.3

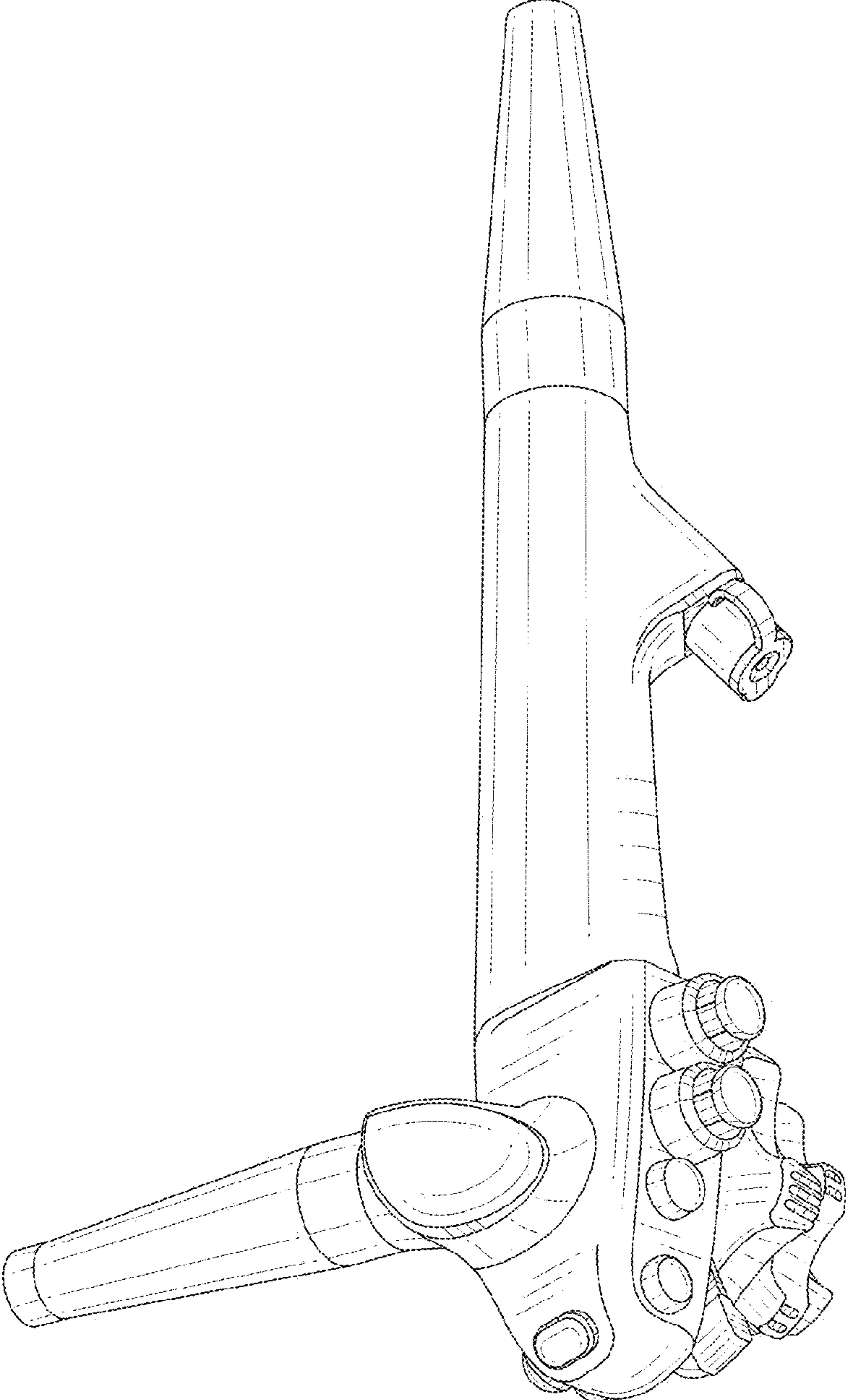


FIG.4

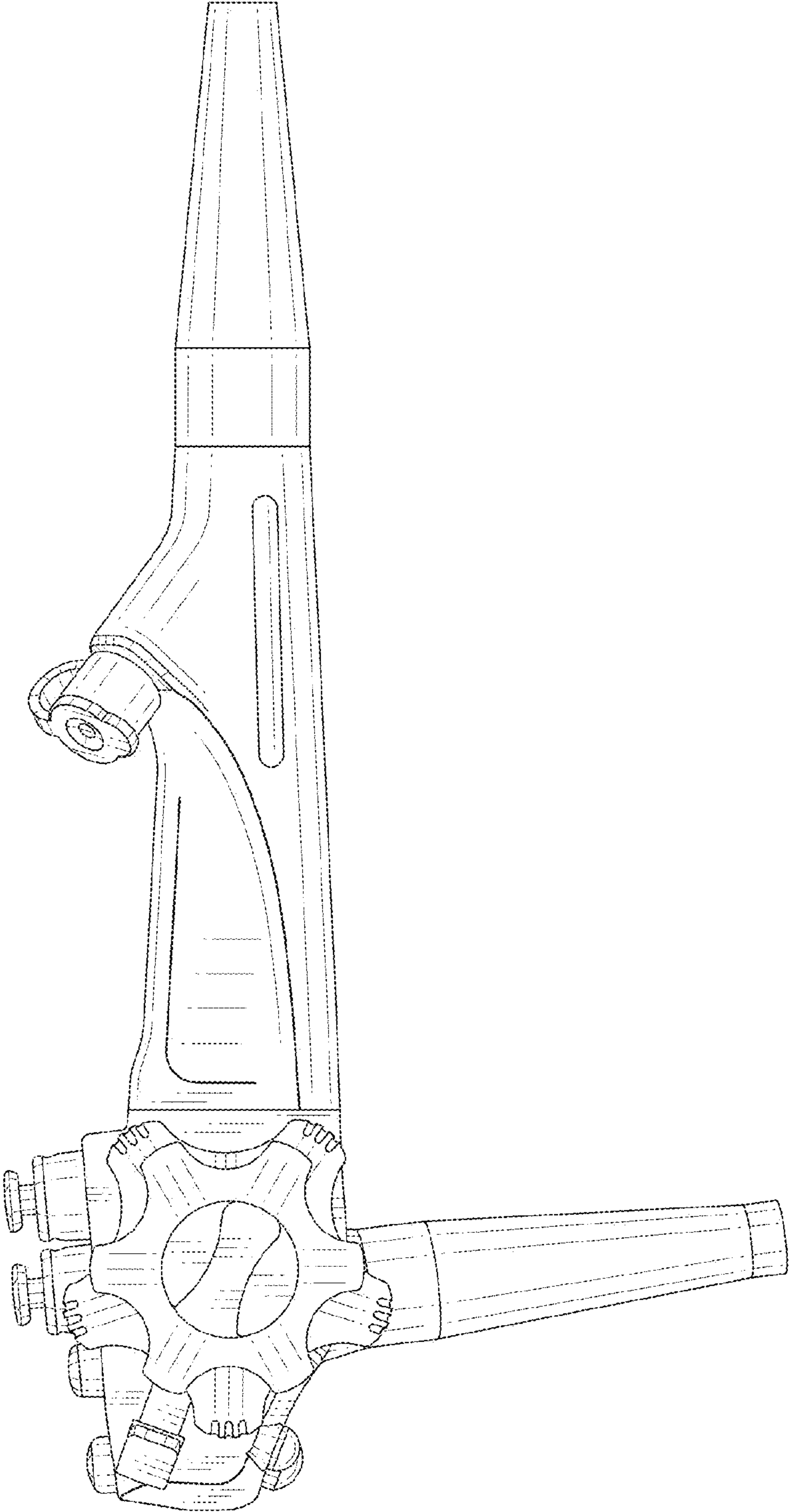


FIG.5

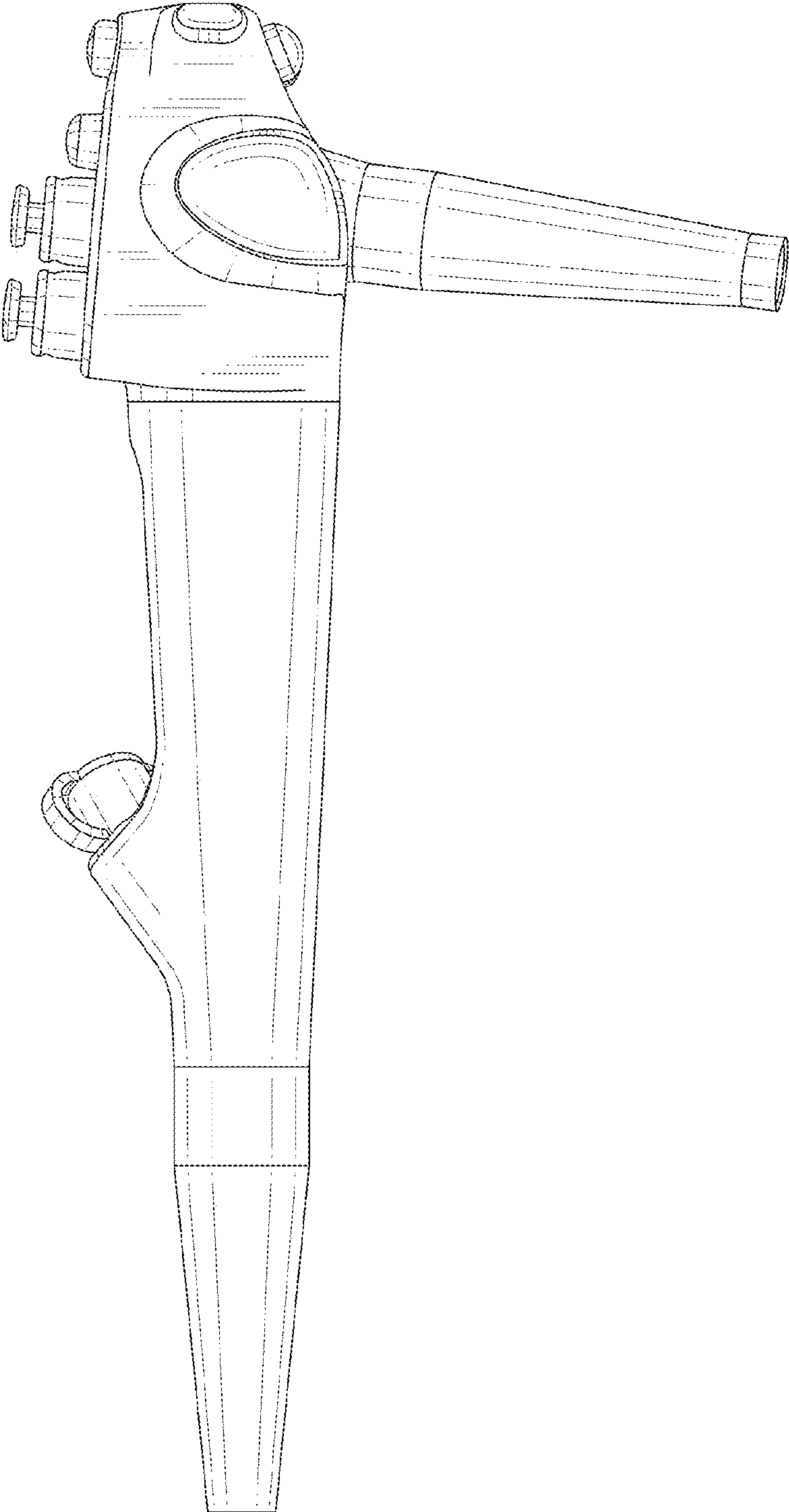


FIG.6

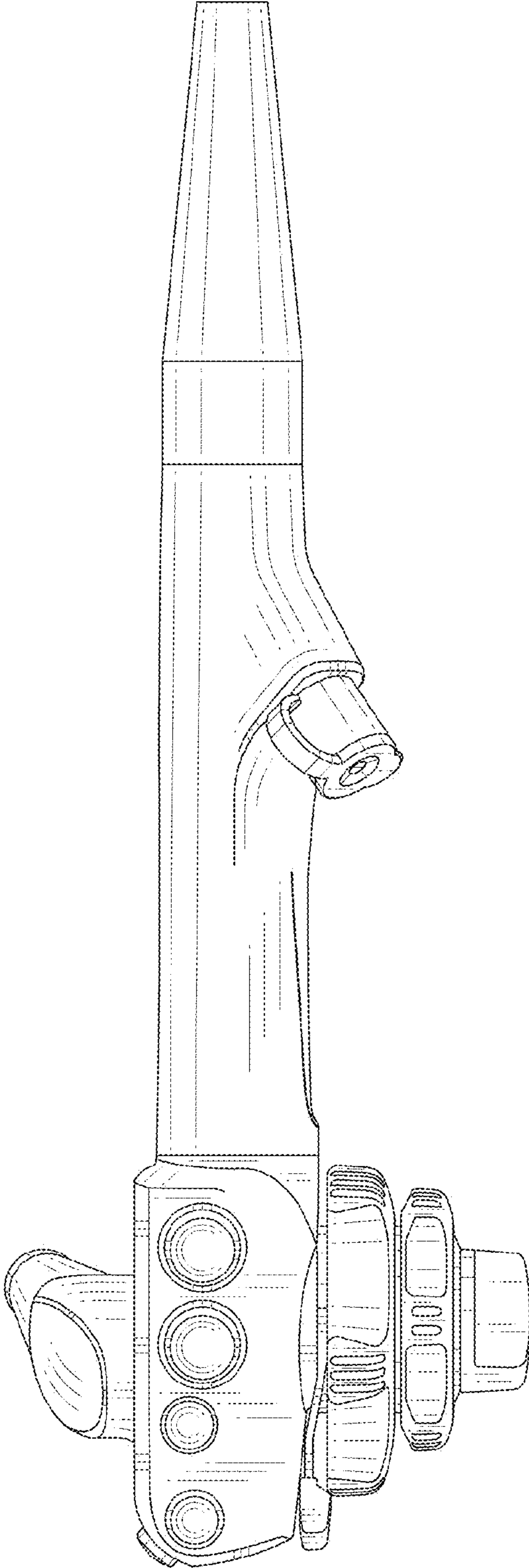


FIG. 7

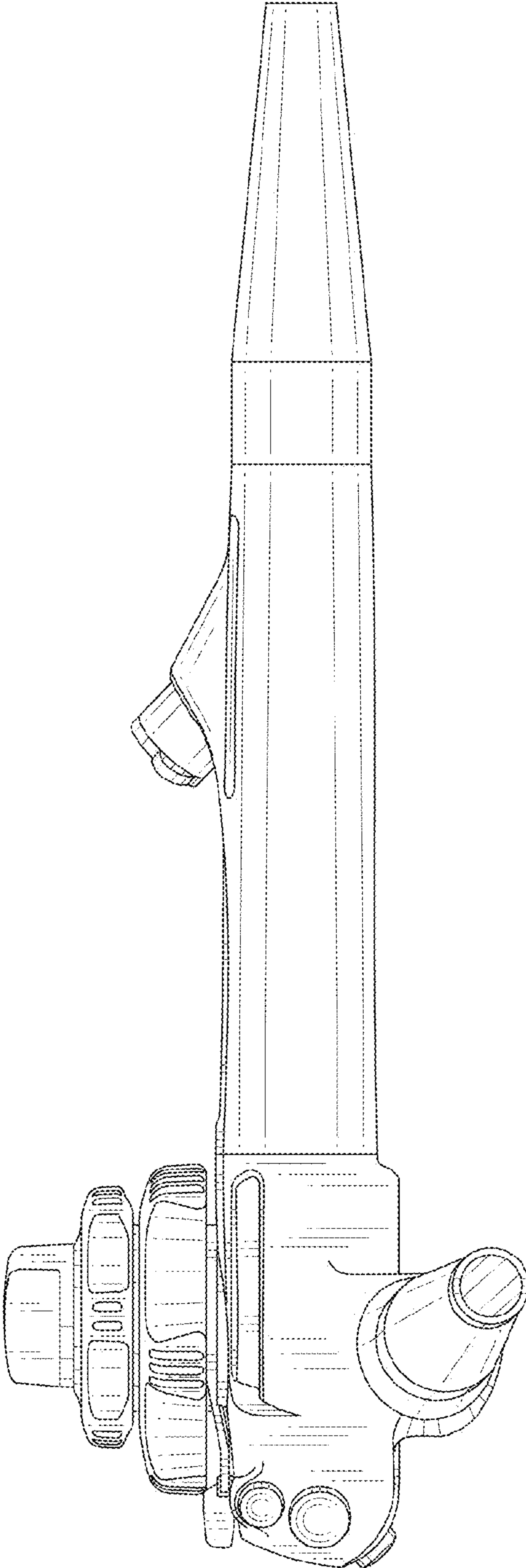


FIG. 8

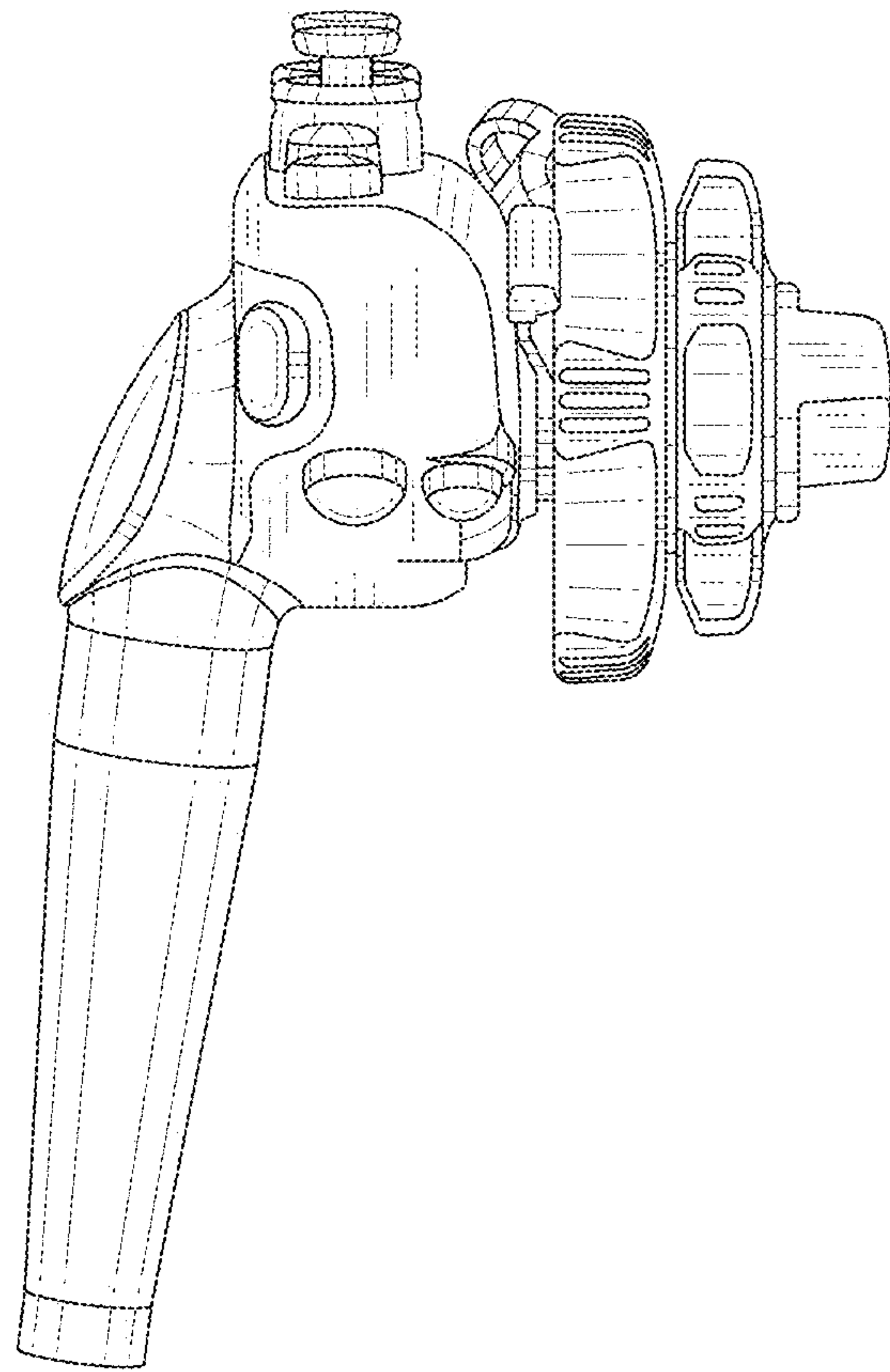


FIG.9

