



US00D718443S

(12) **United States Design Patent**  
**Yoshida et al.**

(10) **Patent No.:** **US D718,443 S**

(45) **Date of Patent:** **\*\* Nov. 25, 2014**

(54) **OPERATING GRIP FOR ENDOSCOPE**

(71) Applicant: **FUJIFILM Corporation**, Minato-ku,  
Tokyo (JP)

(72) Inventors: **Koji Yoshida**, Ashigarakami-gun (JP);  
**Kunihiko Tanaka**, Ashigarakami-gun  
(JP)

(73) Assignee: **FUJIFILM Corporation**, Tokyo (JP)

(\*\*) Term: **14 Years**

(21) Appl. No.: **29/448,241**

(22) Filed: **Mar. 11, 2013**

(30) **Foreign Application Priority Data**

Sep. 12, 2012 (JP) ..... 2012-022112

(51) **LOC (10) Cl.** ..... **24-02**

(52) **U.S. Cl.**  
USPC ..... **D24/138**

(58) **Field of Classification Search**

CPC .. A61B 1/00; A61B 1/00064; A61B 1/00066;  
A61B 1/0669

USPC ..... D24/138, 137, 133, 135, 140;  
600/101-183

See application file for complete search history.

(56) **References Cited**

**U.S. PATENT DOCUMENTS**

D277,406 S *	1/1985	Imada .....	D24/138
D481,124 S *	10/2003	Hayamizu .....	D24/138
D481,126 S *	10/2003	Hayamizu .....	D24/138
D486,910 S *	2/2004	Hayamizu et al. ....	D24/138
D493,529 S *	7/2004	Hayamizu et al. ....	D24/138
D498,846 S *	11/2004	Hayamizu et al. ....	D24/138

6,852,077 B2 *	2/2005	Ouchi et al. ....	600/122
D638,937 S *	5/2011	Tanaka .....	D24/138
8,182,419 B2 *	5/2012	Kohno .....	600/158
D668,762 S *	10/2012	Makowski et al. ....	D24/138
D669,174 S *	10/2012	Makowski et al. ....	D24/138
D669,175 S *	10/2012	Makowski et al. ....	D24/138
2001/0018552 A1 *	8/2001	Akiba .....	600/146
2002/0091303 A1 *	7/2002	Ootawara et al. ....	600/106
2003/0216613 A1 *	11/2003	Suzuki et al. ....	600/104
2008/0119696 A1 *	5/2008	Moriyama .....	600/146
2009/0048487 A1 *	2/2009	Yanuma .....	600/139
2011/0046442 A1 *	2/2011	Matsushita .....	600/114
2011/0077463 A1 *	3/2011	Hirota .....	600/114
2013/0012780 A1 *	1/2013	Nakamura et al. ....	600/122
2014/0187864 A1 *	7/2014	Kubo .....	600/139

\* cited by examiner

*Primary Examiner* — Bridget L Eland

(74) *Attorney, Agent, or Firm* — Sughrue Mion, PLLC

(57) **CLAIM**

The ornamental design for an operating grip for endoscope, as shown and described.

**DESCRIPTION**

FIG. 1 is a top, front and side perspective view of an operating grip for endoscope showing our new design;  
FIG. 2 is a bottom, front and side perspective view thereof;  
FIG. 3 is a top, rear and side perspective view thereof;  
FIG. 4 is a front elevational view thereof;  
FIG. 5 is a rear elevational view thereof;  
FIG. 6 is a top plan view thereof;  
FIG. 7 is a bottom plan view thereof;  
FIG. 8 is a left side elevational view thereof; and,  
FIG. 9 is a right side elevational view thereof.

The broken lines in the drawings are included for the purpose of illustrating portions of the operating grip for endoscope that form no part of the claimed design.

**1 Claim, 9 Drawing Sheets**

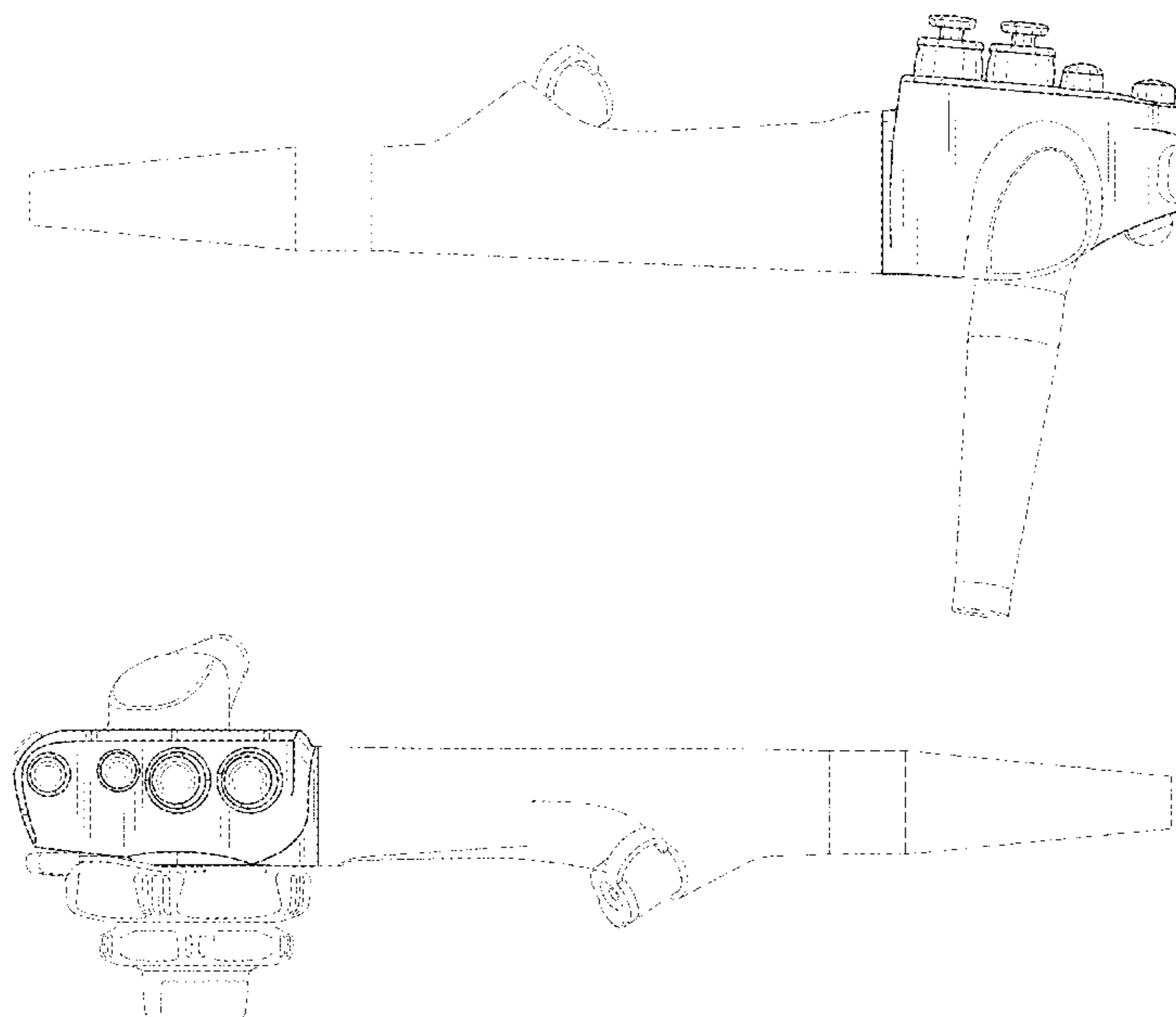


FIG.1

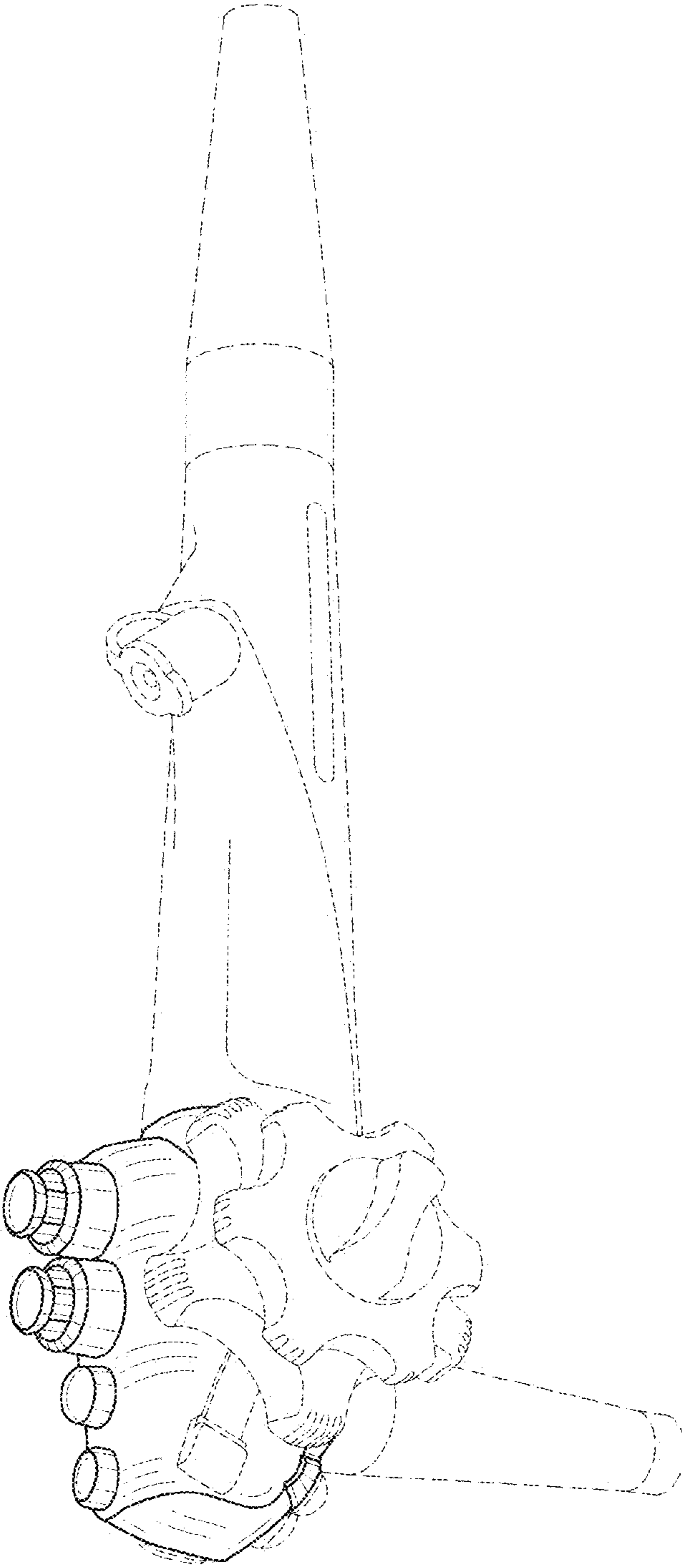


FIG.2

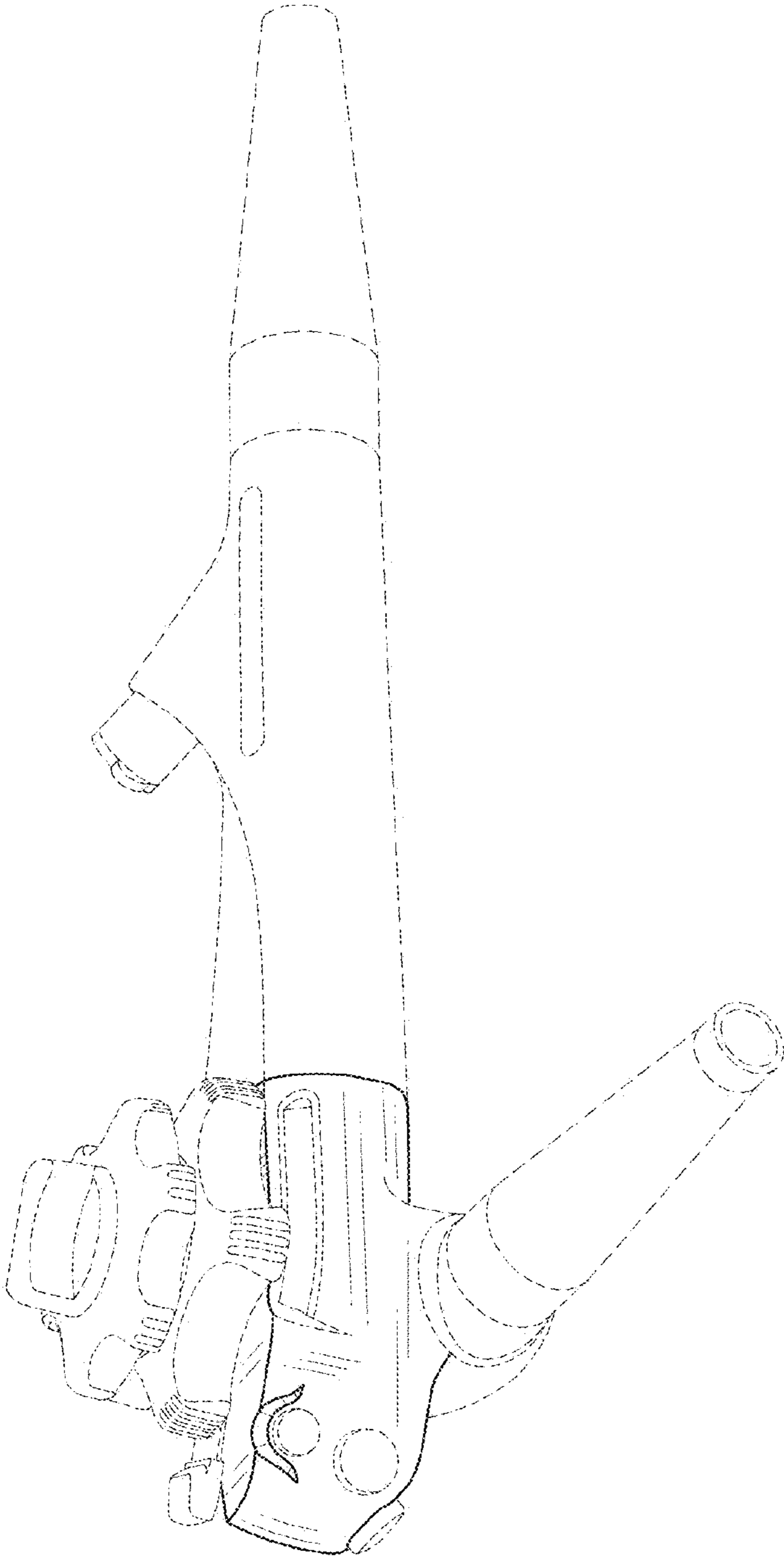


FIG. 3

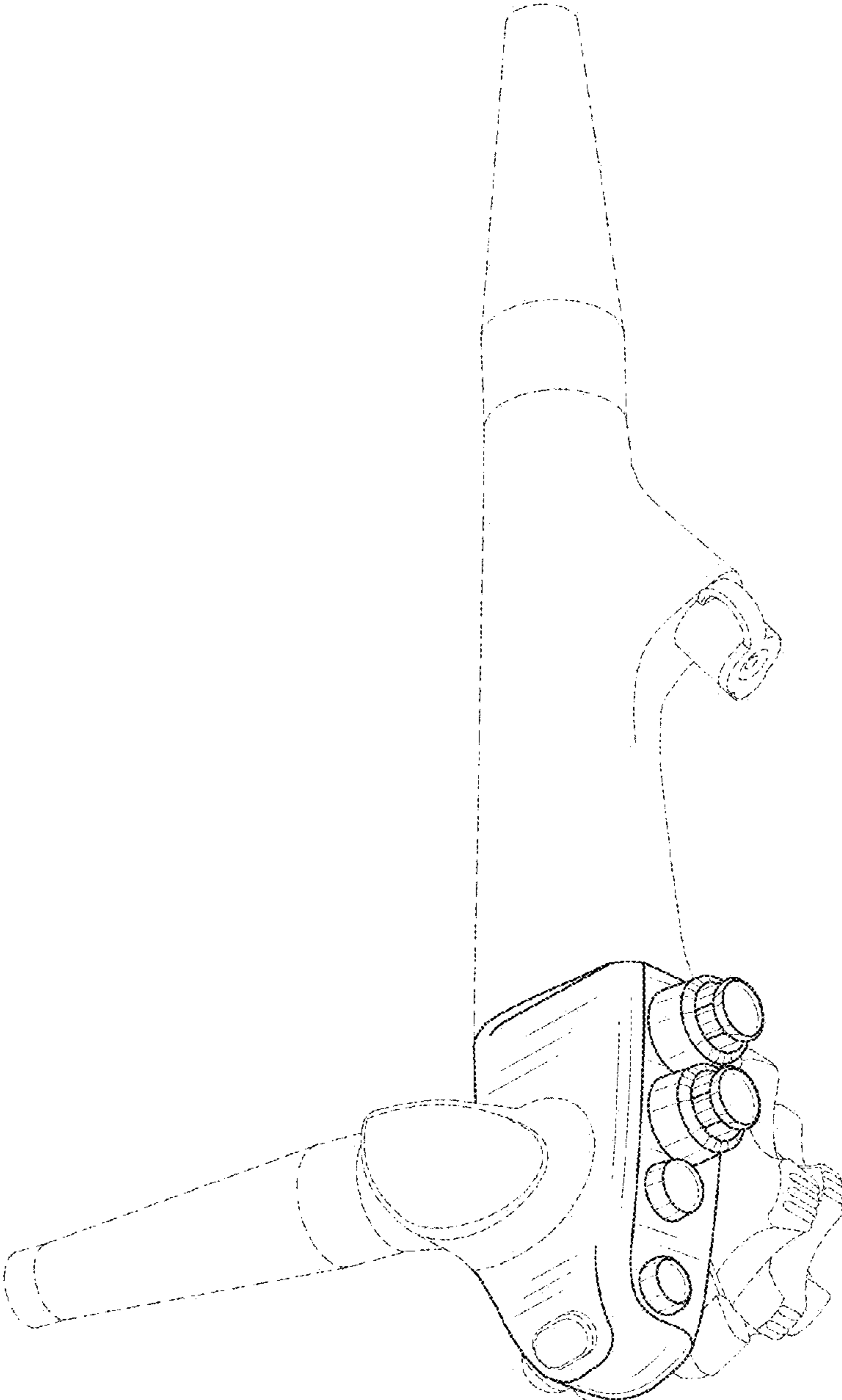
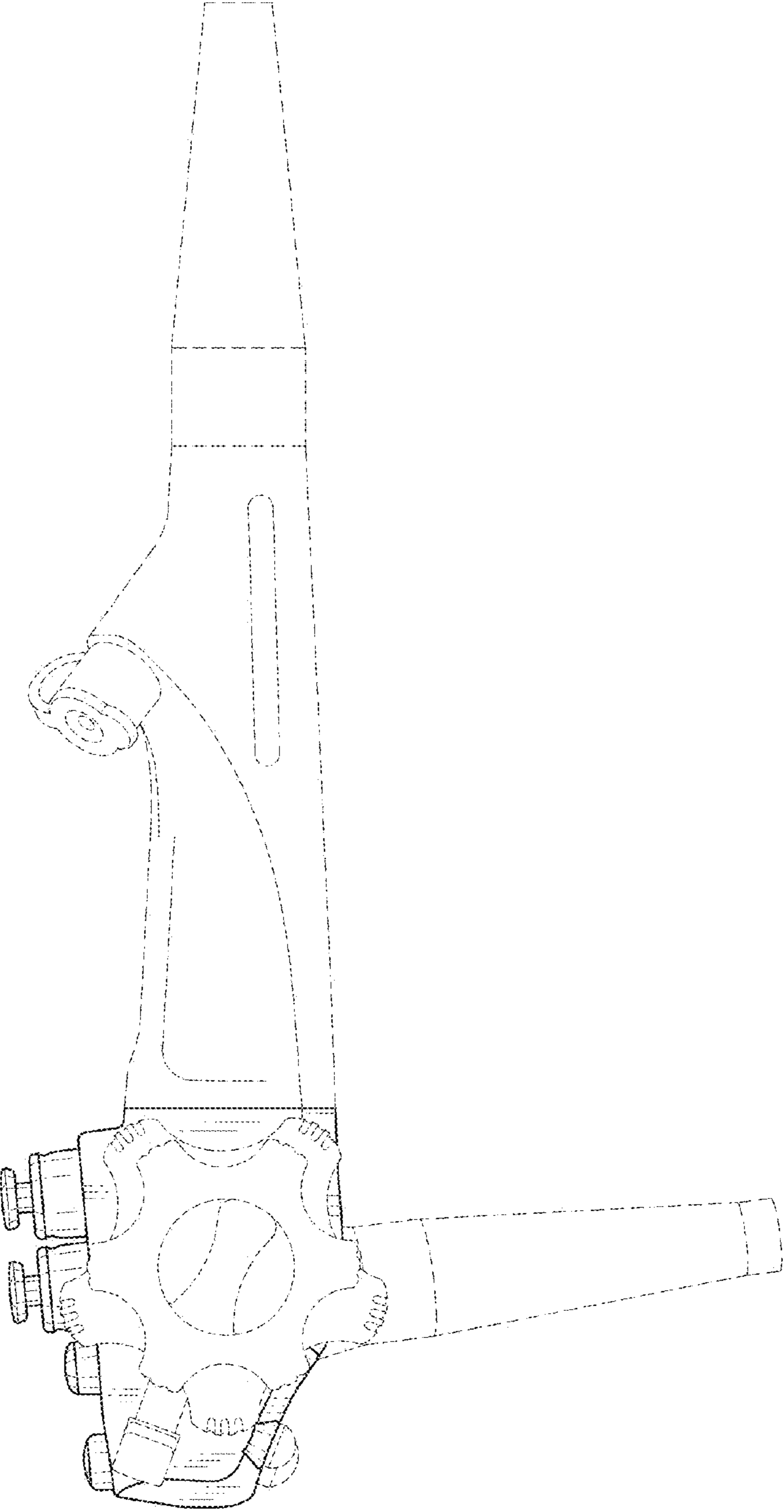


FIG.4



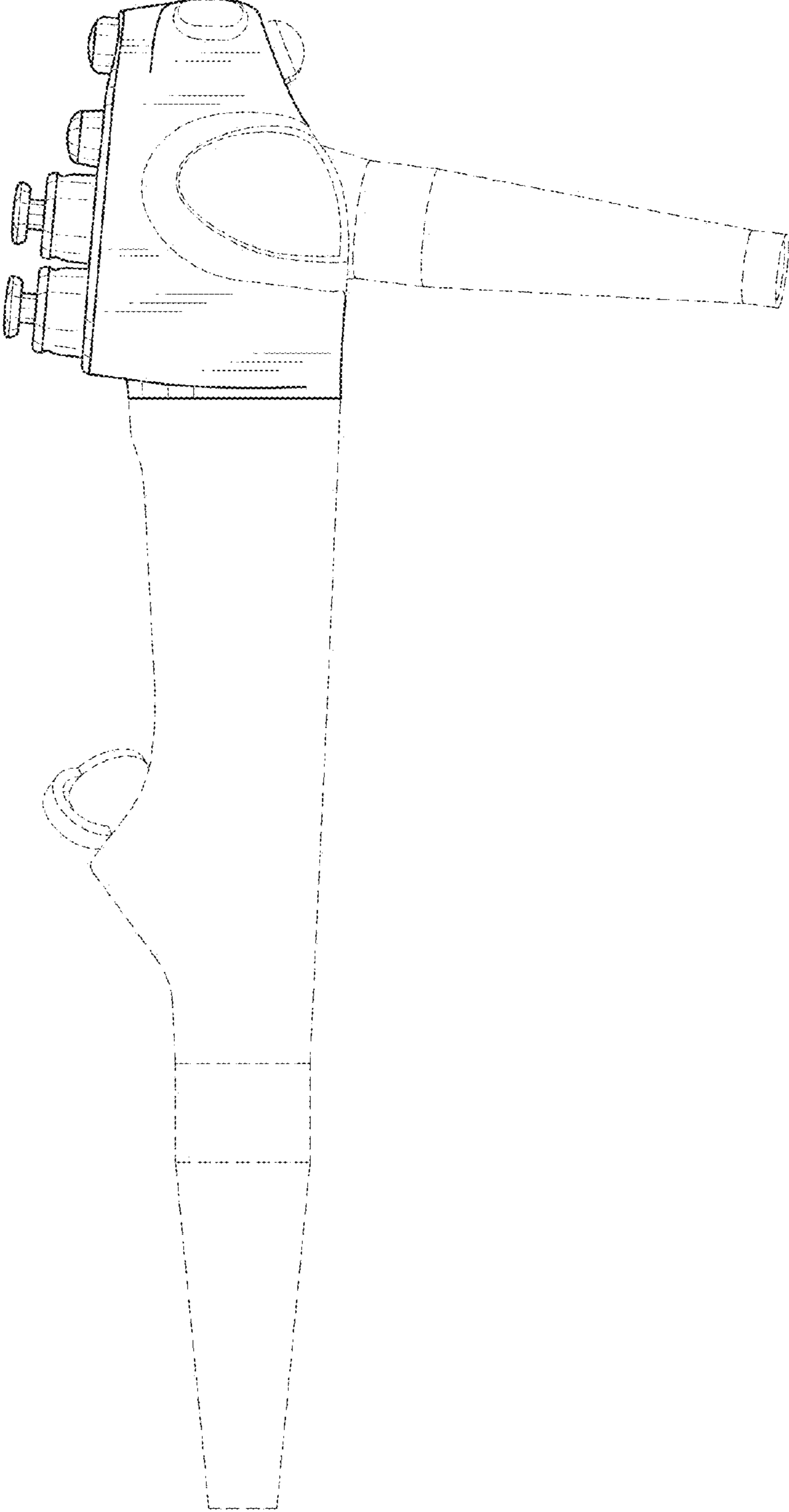


FIG. 5

FIG.6

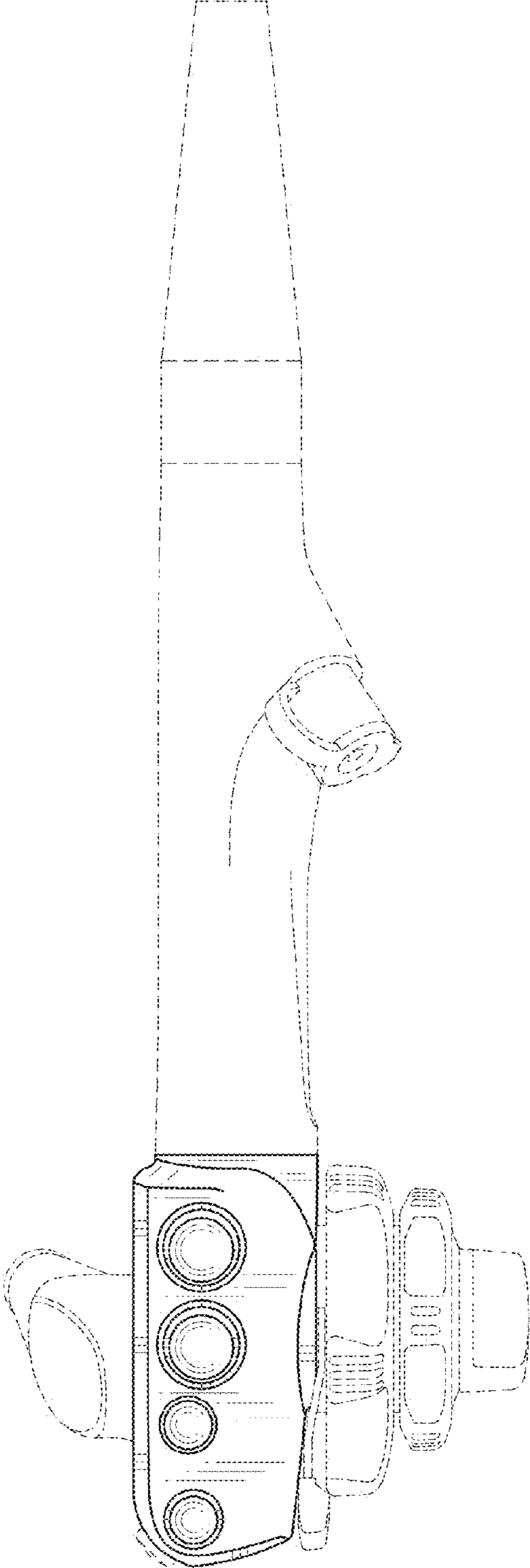


FIG. 7

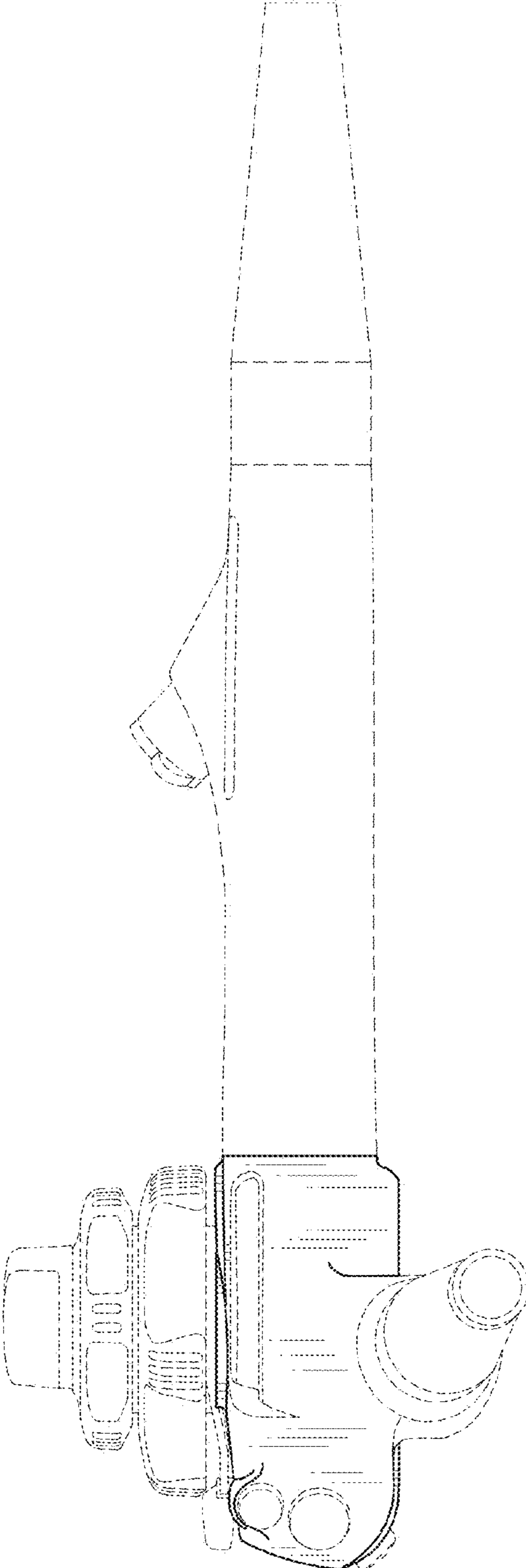




FIG.8

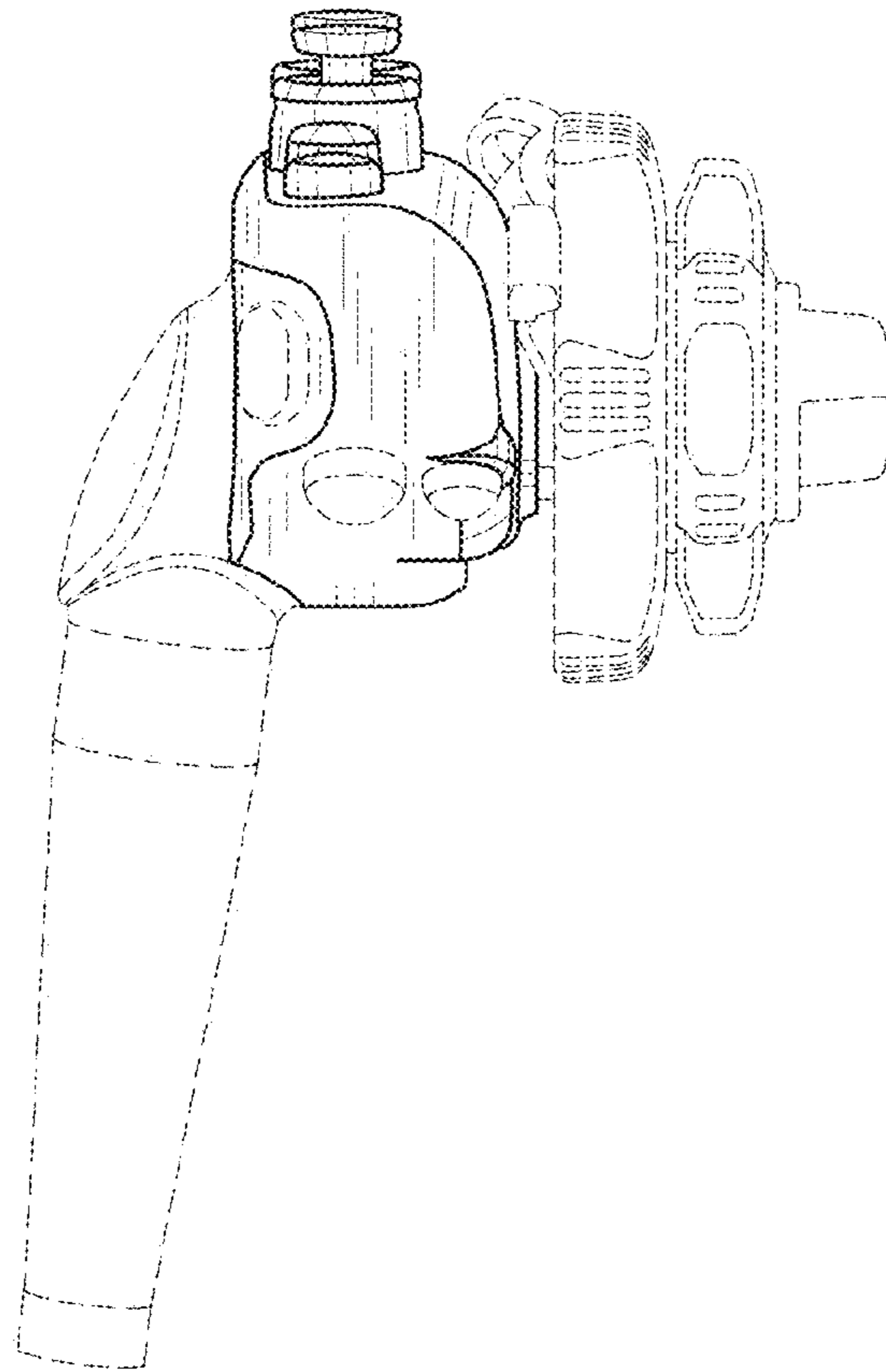


FIG. 9

