



US00D718442S

(12) **United States Design Patent**
Yoshida et al.

(10) **Patent No.:** **US D718,442 S**

(45) **Date of Patent:** **** Nov. 25, 2014**

(54) **OPERATING GRIP FOR ENDOSCOPE**

(71) Applicant: **FUJIFILM Corporation**, Tokyo (JP)

(72) Inventors: **Koji Yoshida**, Ashigarakami-gun (JP);
Kunihiko Tanaka, Ashigarakami-gun (JP)

(73) Assignee: **FUJIFILM Corporation**, Tokyo (JP)

(**) Term: **14 Years**

(21) Appl. No.: **29/448,238**

(22) Filed: **Mar. 11, 2013**

(30) **Foreign Application Priority Data**

Sep. 12, 2012 (JP) 2012-022111

(51) **LOC (10) Cl.** **24-02**

(52) **U.S. Cl.**
USPC **D24/138**

(58) **Field of Classification Search**
CPC .. A61B 1/00; A61B 1/00064; A61B 1/00066;
A61B 1/0669
USPC D24/138, 137, 133, 135, 140;
600/101-183
See application file for complete search history.

(56) **References Cited**

U.S. PATENT DOCUMENTS

D277,406	S	*	1/1985	Imada	D24/138
D486,910	S	*	2/2004	Hayamizu et al.	D24/138
D493,529	S	*	7/2004	Hayamizu et al.	D24/138
D498,846	S	*	11/2004	Hayamizu et al.	D24/138
6,852,077	B2	*	2/2005	Ouchi et al.	600/122
D548,327	S	*	8/2007	Fedenia et al.	D24/108
D553,242	S	*	10/2007	Fedenia et al.	D24/108
D638,937	S	*	5/2011	Tanaka	D24/138
D641,470	S	*	7/2011	Hayamizu	D24/138
D648,023	S	*	11/2011	Nohara et al.	D24/138

D649,244	S	*	11/2011	Nohara et al.	D24/138
8,182,419	B2	*	5/2012	Kohno	600/158
D668,762	S	*	10/2012	Makowski et al.	D24/138
D669,174	S	*	10/2012	Makowski et al.	D24/138
D669,175	S	*	10/2012	Makowski et al.	D24/138
2001/0018552	A1	*	8/2001	Akiba	600/146
2002/0091303	A1	*	7/2002	Ootawara et al.	600/106
2002/0188174	A1	*	12/2002	Aizawa et al.	600/118
2008/0119696	A1	*	5/2008	Moriyama	600/146
2011/0046442	A1	*	2/2011	Matsushita	600/114
2011/0077463	A1	*	3/2011	Hirota	600/114
2013/0012780	A1	*	1/2013	Nakamura et al.	600/122
2014/0187864	A1	*	7/2014	Kubo	600/139

* cited by examiner

Primary Examiner — Bridget L Eland

(74) *Attorney, Agent, or Firm* — Sughrue Mion, PLLC

(57) **CLAIM**

The ornamental design for an operating grip for endoscope, as shown and described.

DESCRIPTION

FIG. 1 is a top, front and side perspective view of an operating grip for endoscope showing our new design; FIG. 2 is a bottom, front and side perspective view thereof; FIG. 3 is a top, rear and side perspective view thereof; FIG. 4 is a front elevational view thereof; FIG. 5 is a rear elevational view thereof; FIG. 6 is a top plan view thereof; FIG. 7 is a bottom plan view thereof; FIG. 8 is a left side elevational view thereof; FIG. 9 is a right side elevational view thereof; and, FIG. 10 is an enlarged partial perspective view thereof, shown removed from its environment in order to show aspects of the design that are not apparent in the other perspective views. The broken lines in the drawings are included for the purpose of illustrating portions of the operating grip for endoscope that form no part of the claimed design.

1 Claim, 10 Drawing Sheets

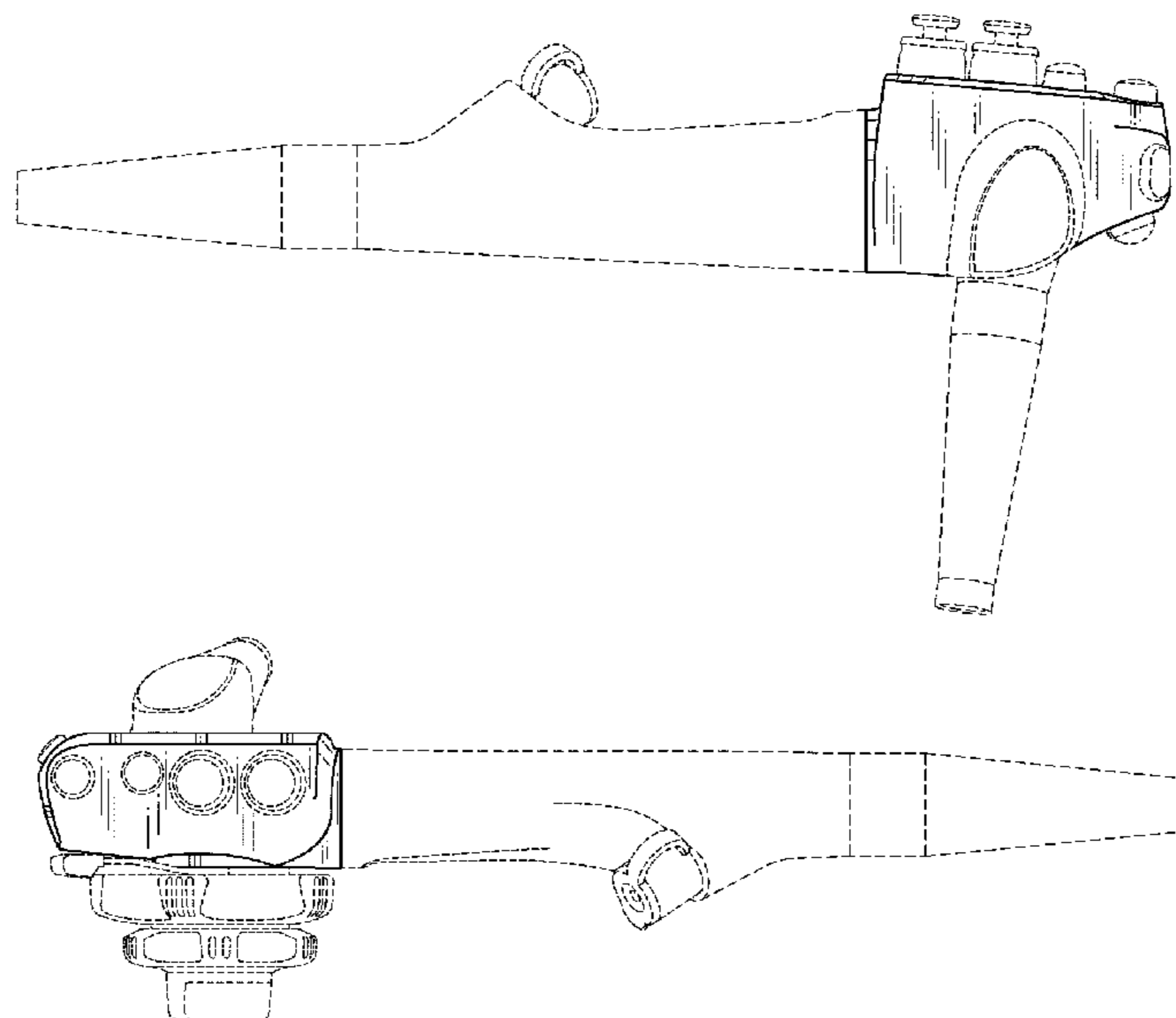


FIG.1

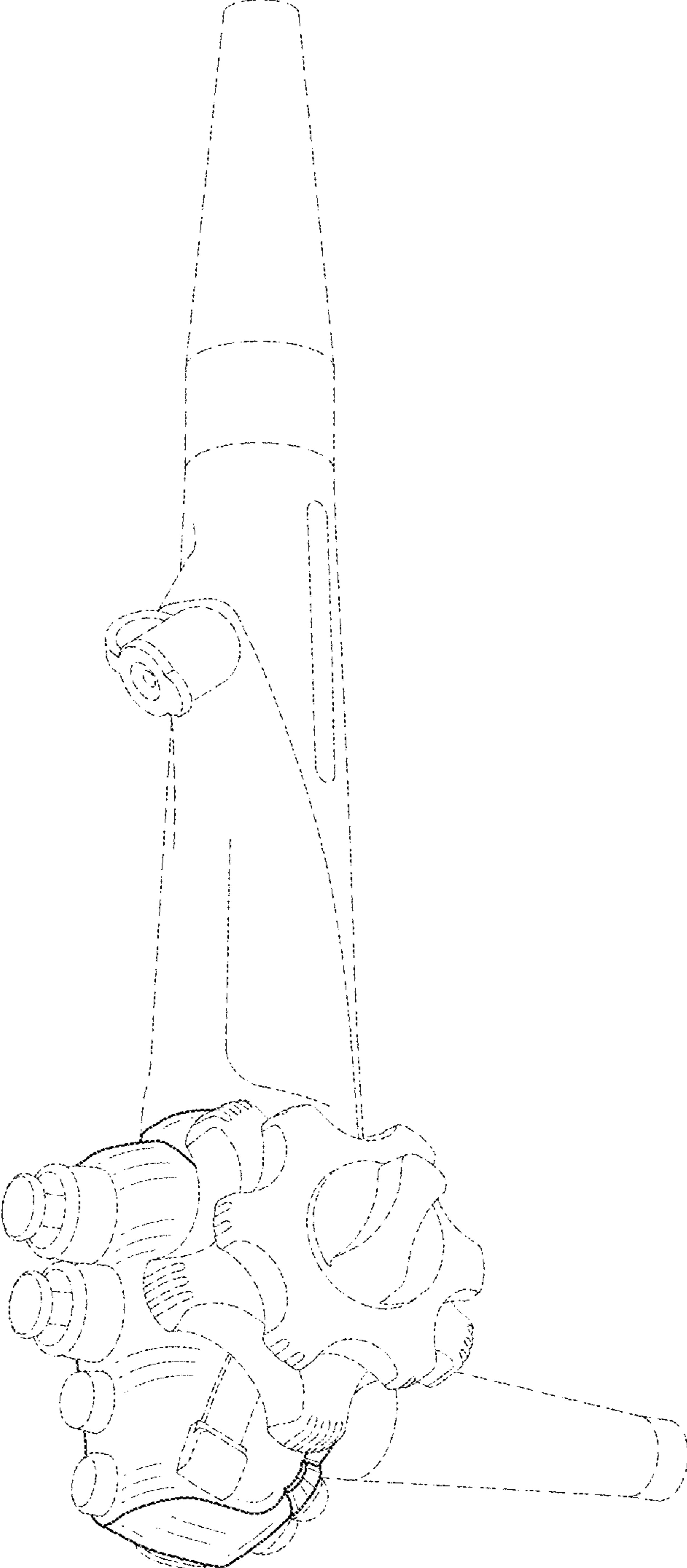


FIG.2

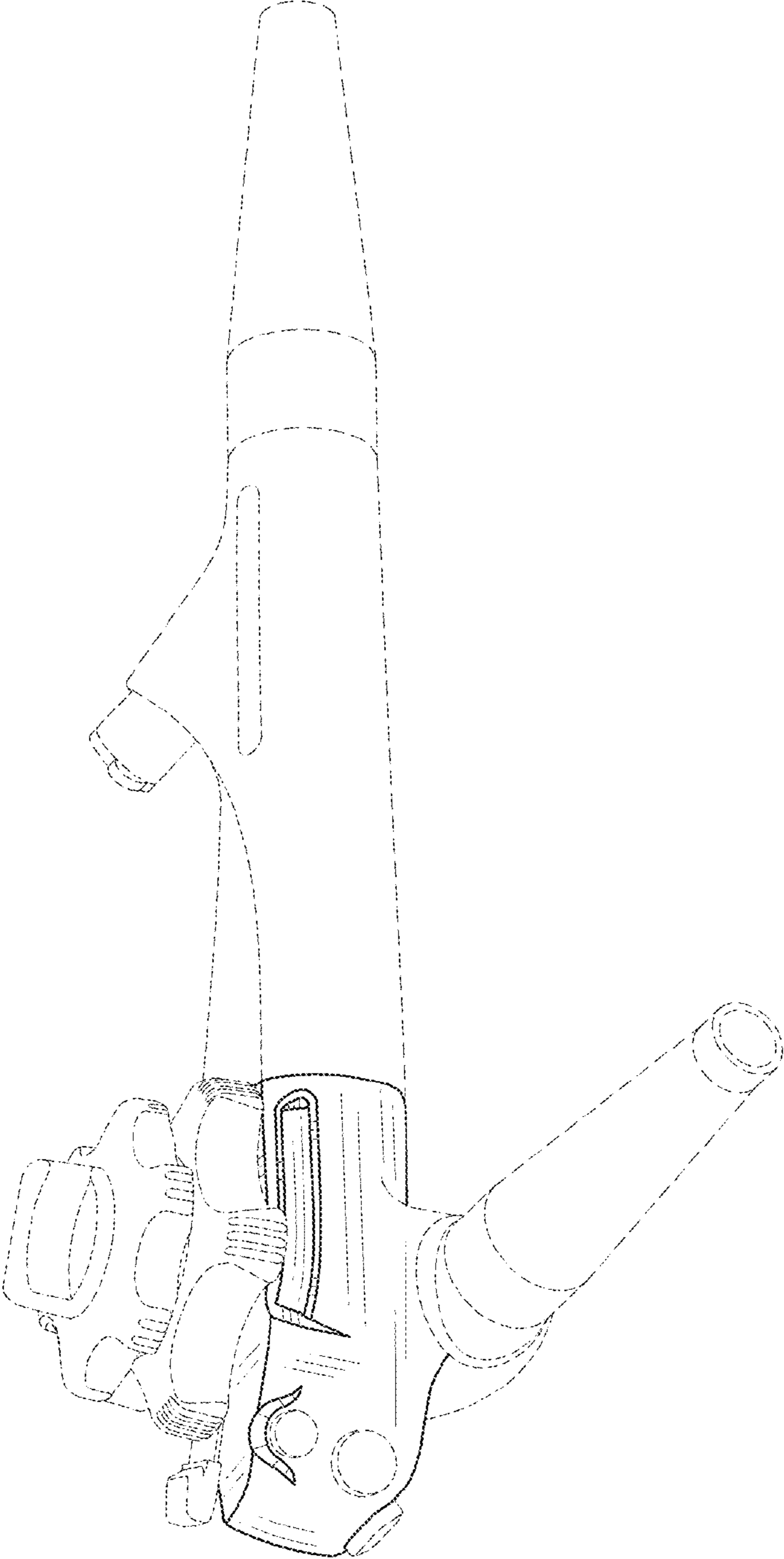


FIG. 3

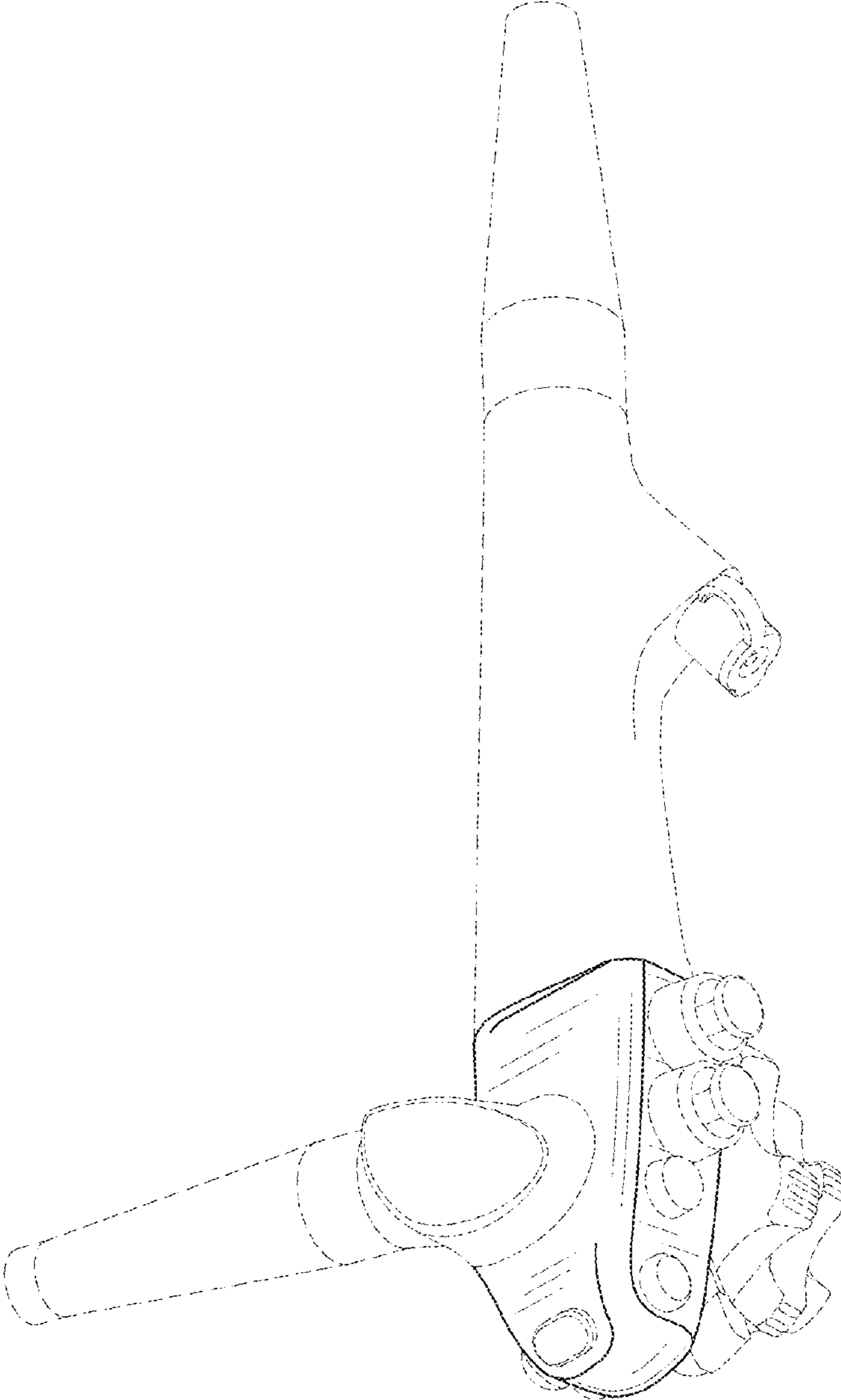


FIG.4

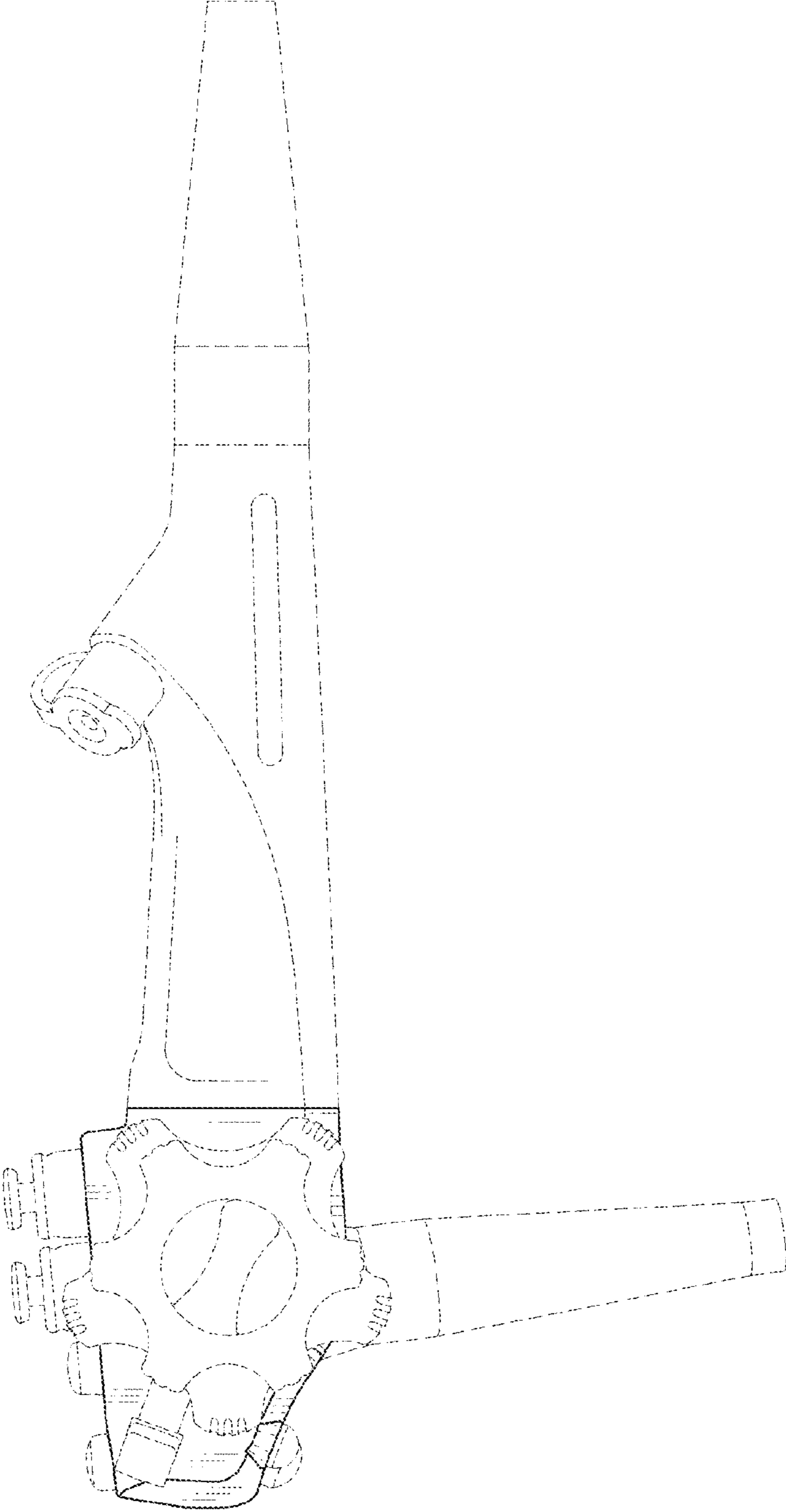


FIG. 5

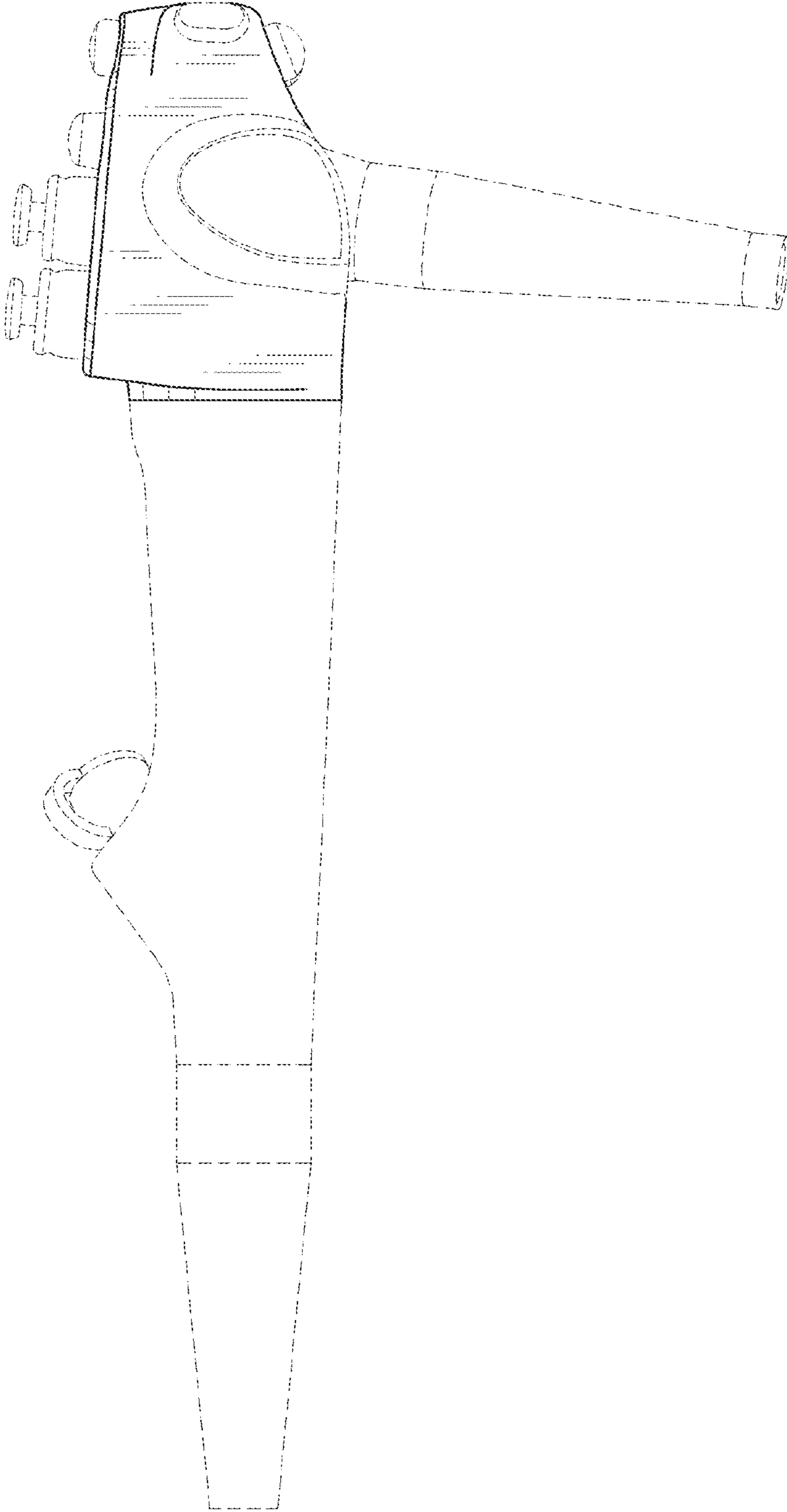


FIG. 6

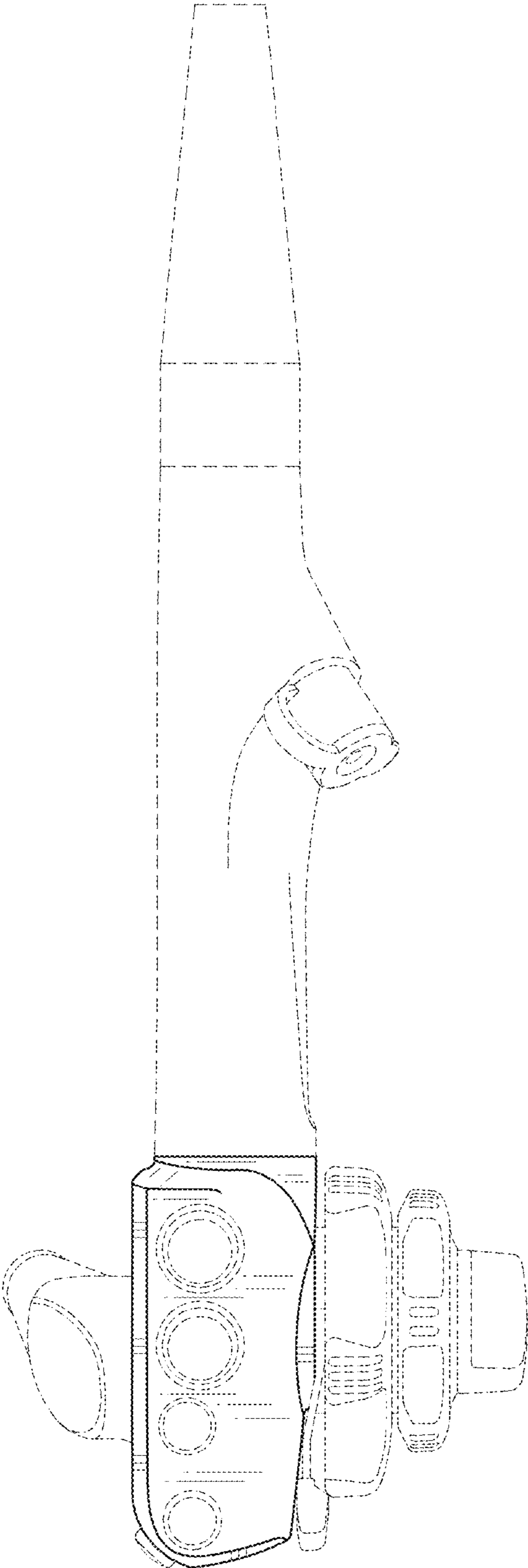


FIG. 7

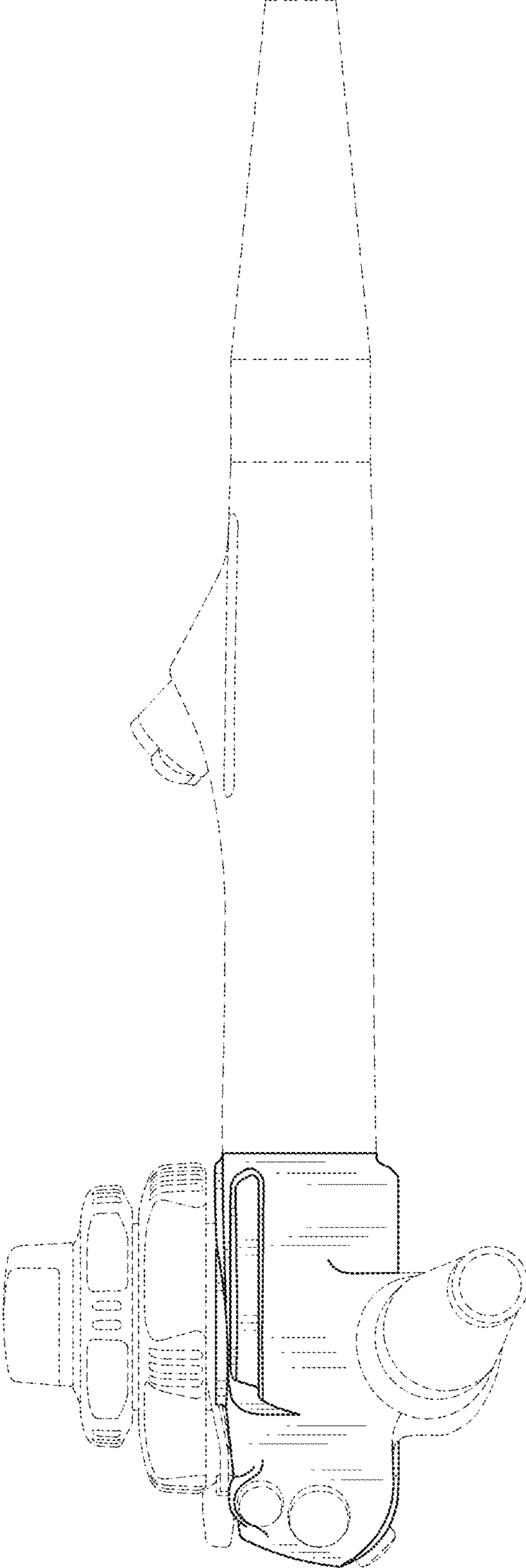


FIG. 8

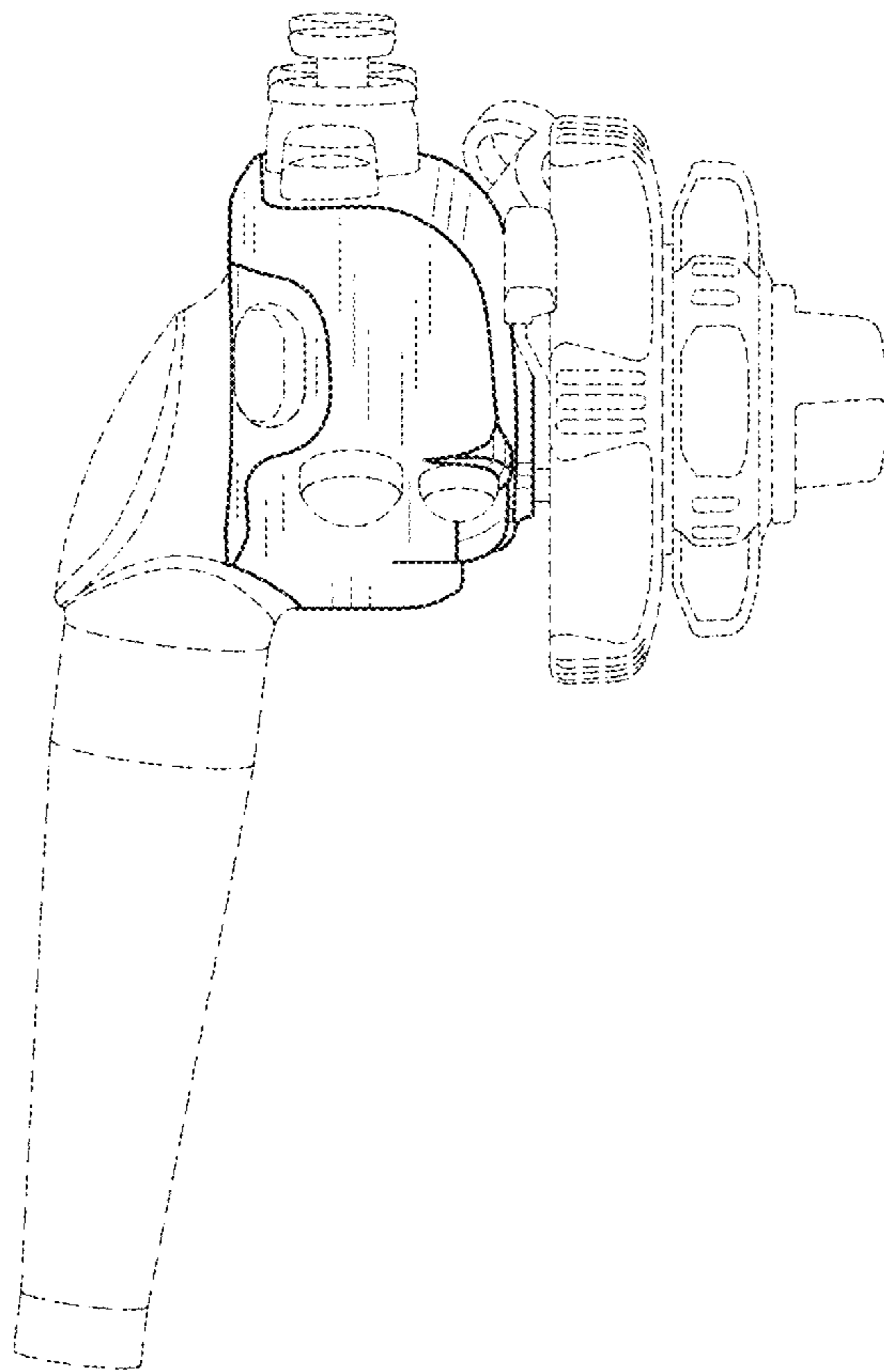


FIG. 9

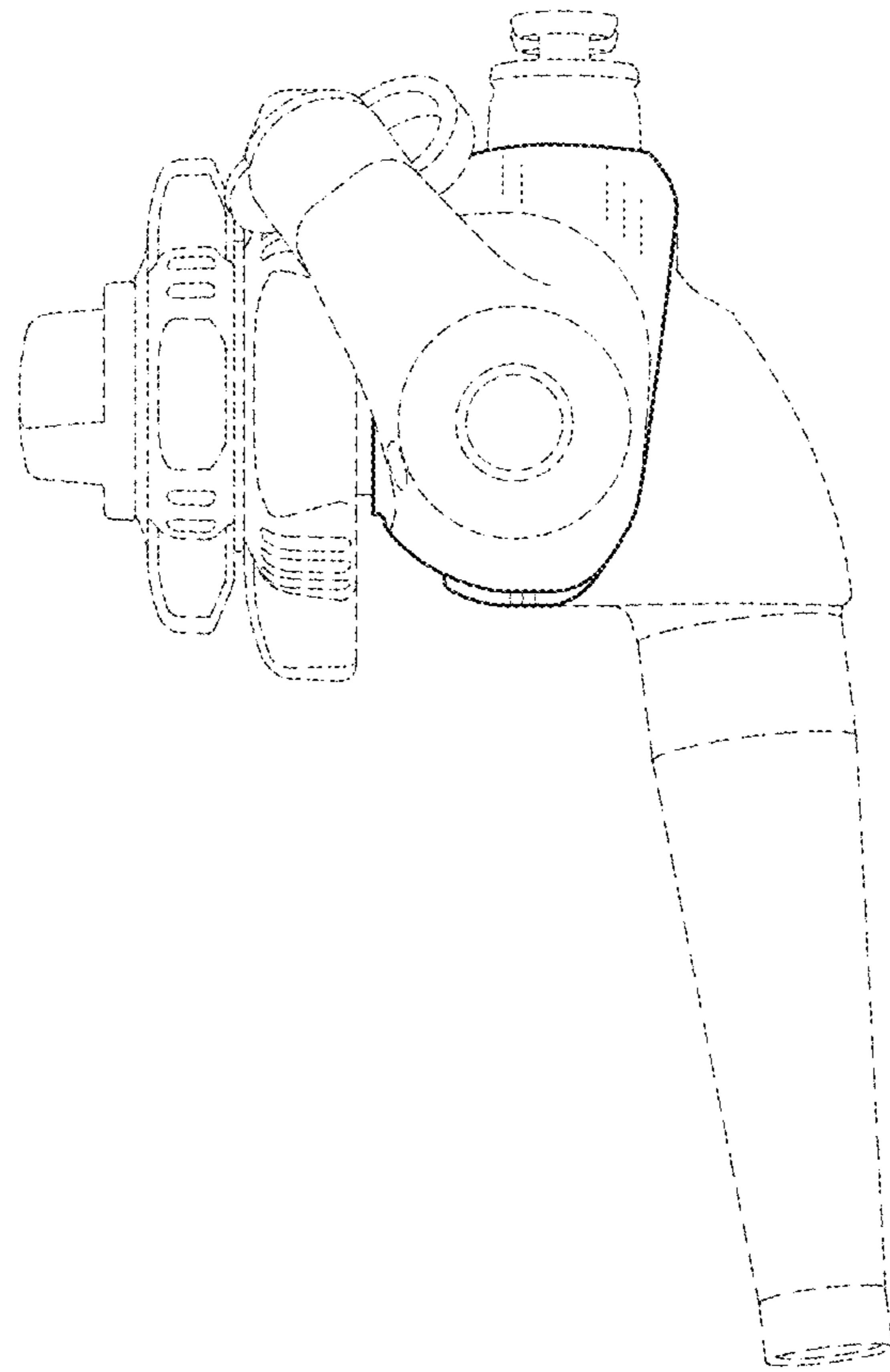


FIG. 10

