



US00D718439S

(12) **United States Design Patent**  
**Woehr et al.**

(10) **Patent No.:** **US D718,439 S**  
(45) **Date of Patent:** **\*\* Nov. 25, 2014**

(54) **ACTUATOR ASSEMBLY FOR A VALVED CATHETER**  
(71) Applicant: **B. Braun Melsungen AG**, Melsungen (DE)  
(72) Inventors: **Kevin Woehr**, Felsberg (DE); **Helmut Freigang**, Korle (DE); **Michael Zerbes**, Wabern (DE)  
(73) Assignee: **B. Braun Melsungen AG**, Melsungen (DE)

(\*\*) Term: **14 Years**  
(21) Appl. No.: **29/446,546**  
(22) Filed: **Feb. 25, 2013**  
(30) **Foreign Application Priority Data**

Dec. 17, 2012 (DE) ..... 002154492-0007  
(51) **LOC (10) Cl.** ..... **24-02**  
(52) **U.S. Cl.**  
USPC ..... **D24/130**  
(58) **Field of Classification Search**  
USPC ..... D24/112-114, 129, 130, 127, 133, 186, D24/108; 606/181, 185; 604/263, 264, 500, 604/506, 272, 115, 164.01-164.09, 533, 604/232, 187, 168.01, 192, 19, 48, 93.01, 604/523, 524, 526; 600/101, 139, 143; 128/200.24, 207.14, 207.15  
See application file for complete search history.

(56) **References Cited**  
U.S. PATENT DOCUMENTS  
D321,252 S \* 10/1991 Jepson et al. .... D24/112

6,036,675 A \* 3/2000 Thorne et al. .... 604/232  
6,719,735 B1 \* 4/2004 Gammon ..... 604/220  
7,041,086 B2 \* 5/2006 Yang ..... 604/198  
7,101,355 B2 \* 9/2006 Doyle ..... 604/192  
7,175,610 B2 \* 2/2007 Mori ..... 604/263  
D625,805 S \* 10/2010 Hereford ..... D24/140  
D642,261 S \* 7/2011 York et al. .... D24/130  
D659,825 S \* 5/2012 Dillard, III ..... D24/130  
D660,418 S \* 5/2012 Kuczek et al. .... D24/130  
D672,460 S \* 12/2012 Baid ..... D24/130  
8,657,793 B2 \* 2/2014 Pellegrini et al. .... 604/187  
D702,835 S \* 4/2014 Vinchon ..... D24/130

\* cited by examiner

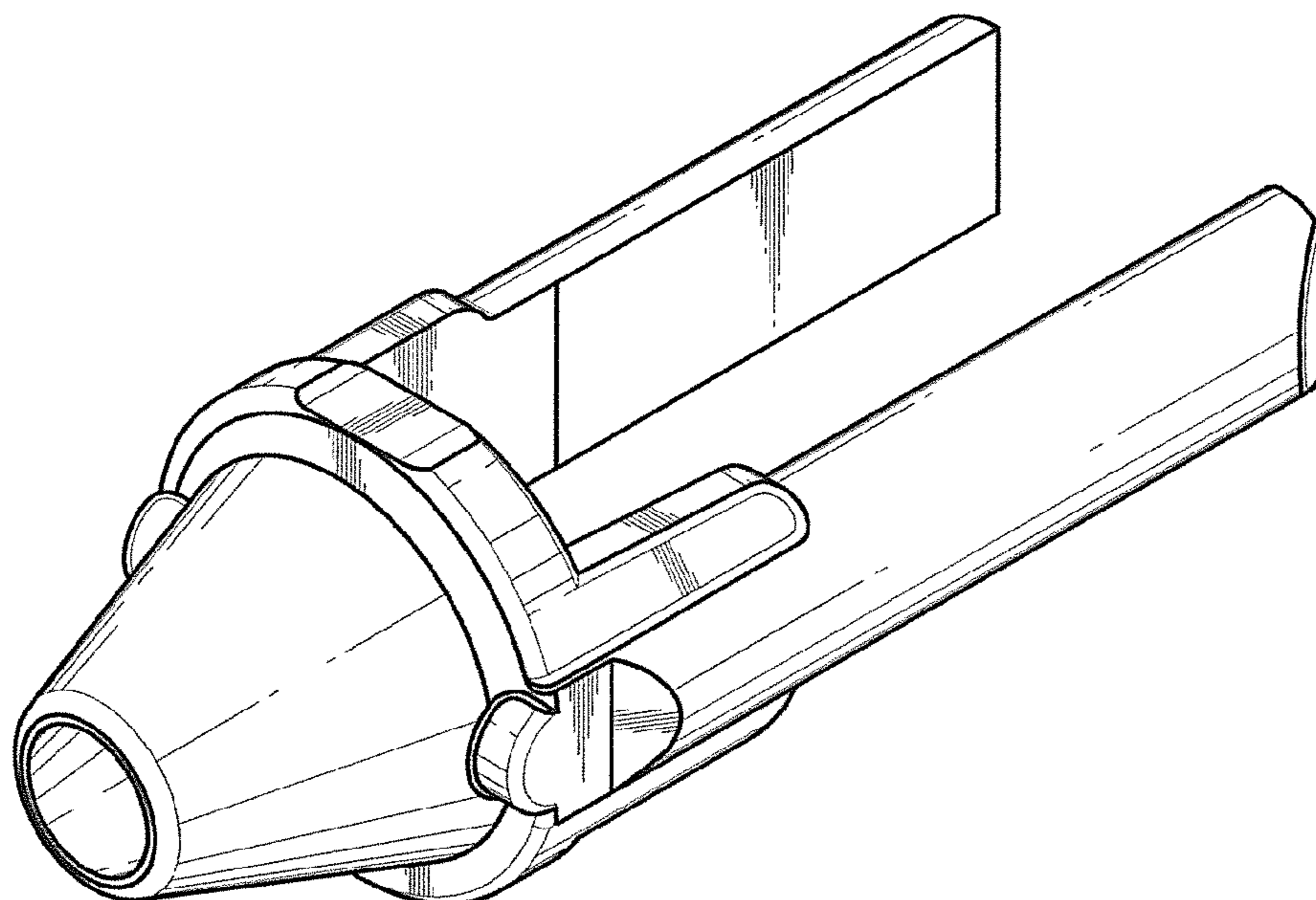
*Primary Examiner* — David Muller

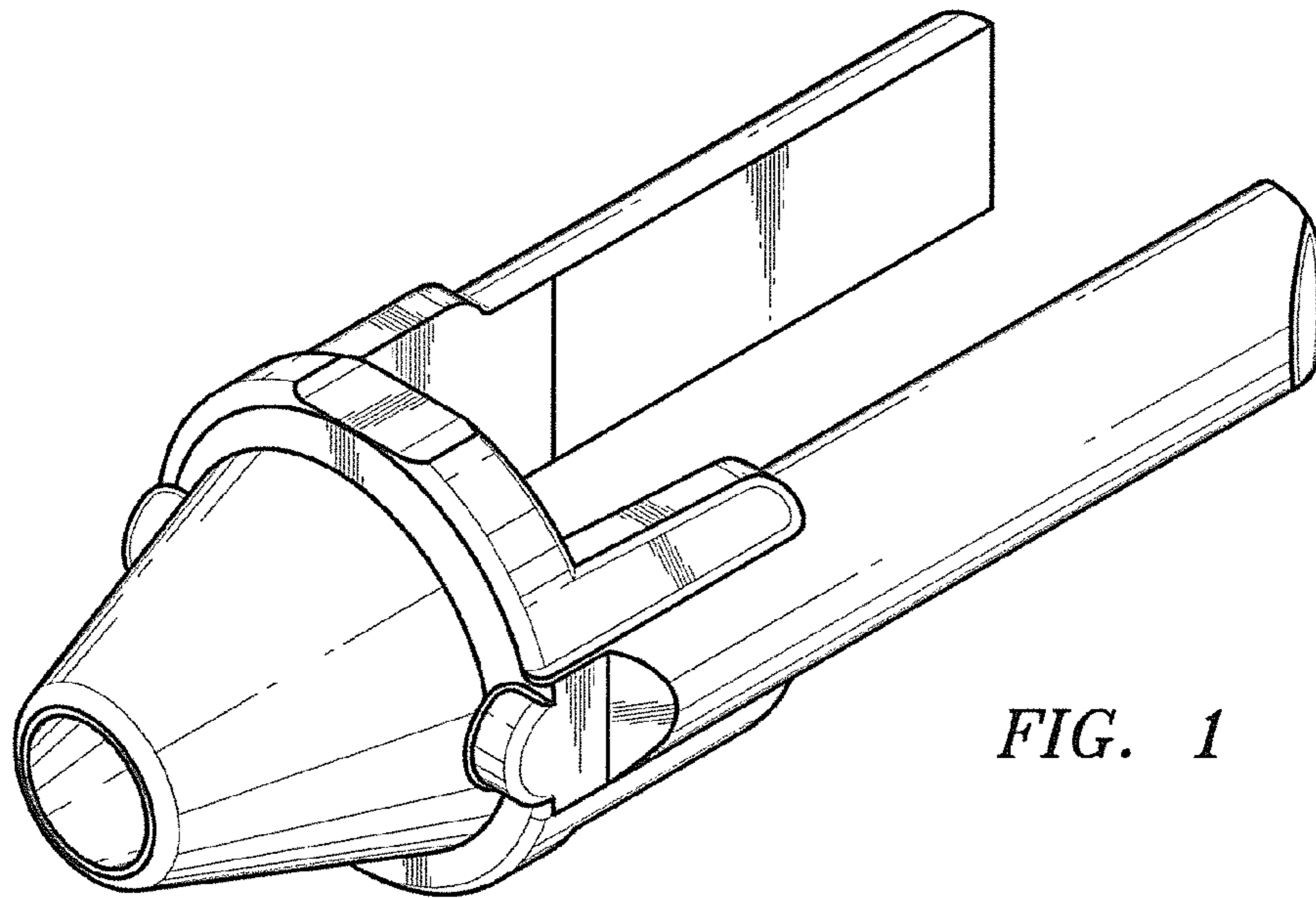
(74) *Attorney, Agent, or Firm* — Klein, O'Neill & Singh, LLP

(57) **CLAIM**  
The ornamental design for an actuator assembly for a valved catheter, as shown and described.

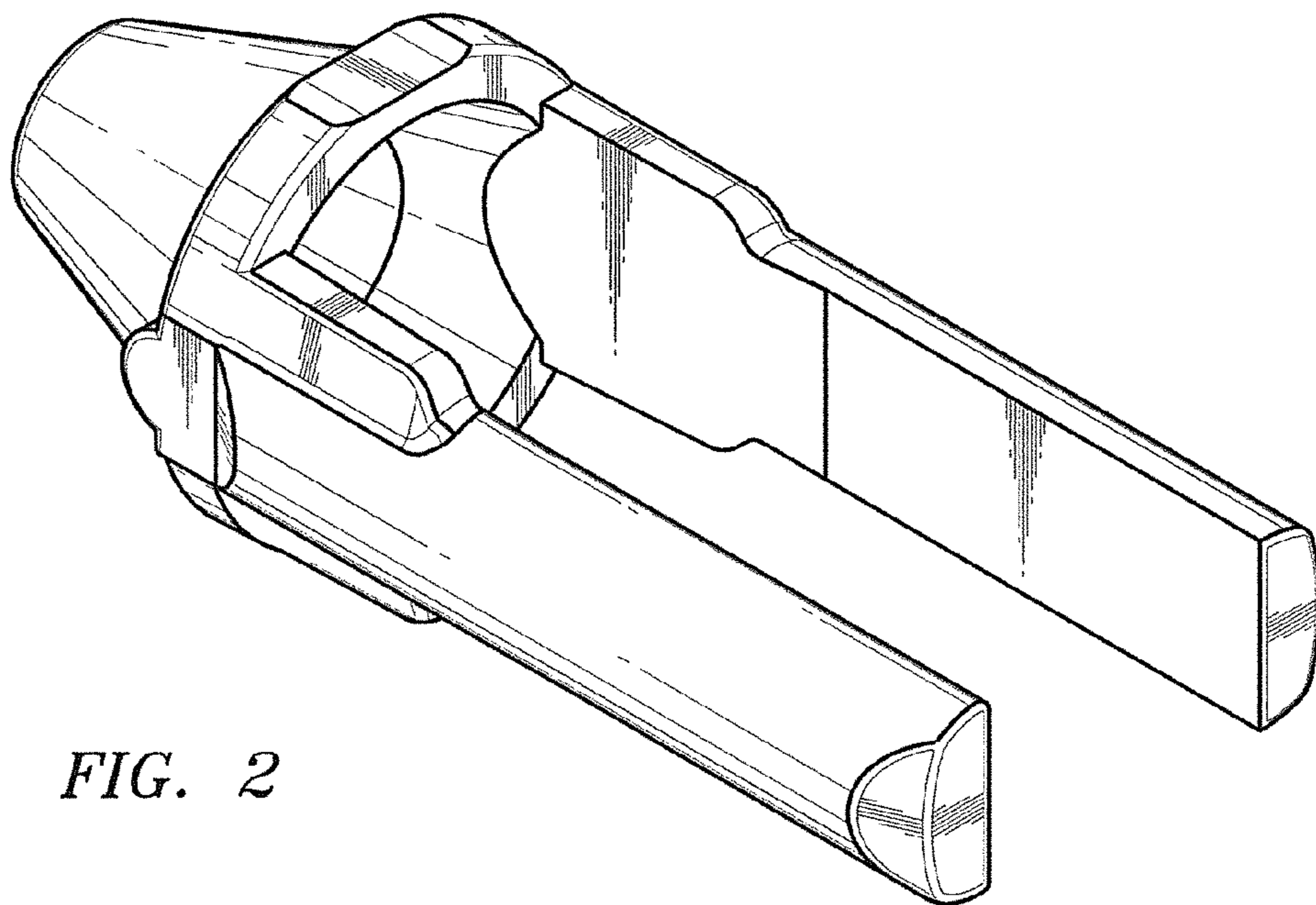
**DESCRIPTION**  
FIG. 1 is a perspective view of an actuator assembly for a valved catheter, showing our new design;  
FIG. 2 is a perspective view of the same design from a different viewing angle;  
FIG. 3 is a top plan view thereof  
FIG. 4 is a left side elevation view thereof;  
FIG. 5 is a right side elevation view thereof;  
FIG. 6 is a rear elevation view thereof; and,  
FIG. 7 is a front elevation view thereof.

**1 Claim, 3 Drawing Sheets**





*FIG. 1*



*FIG. 2*

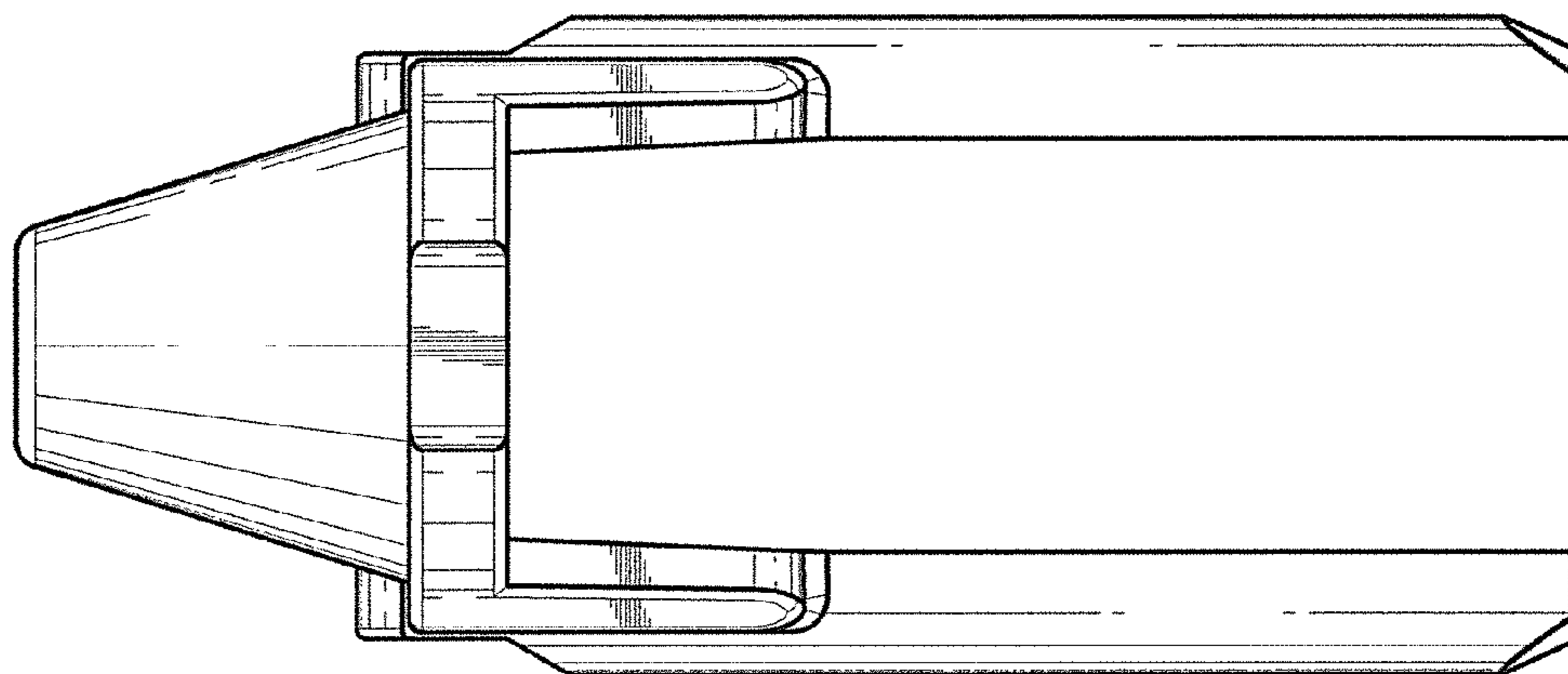


FIG. 3

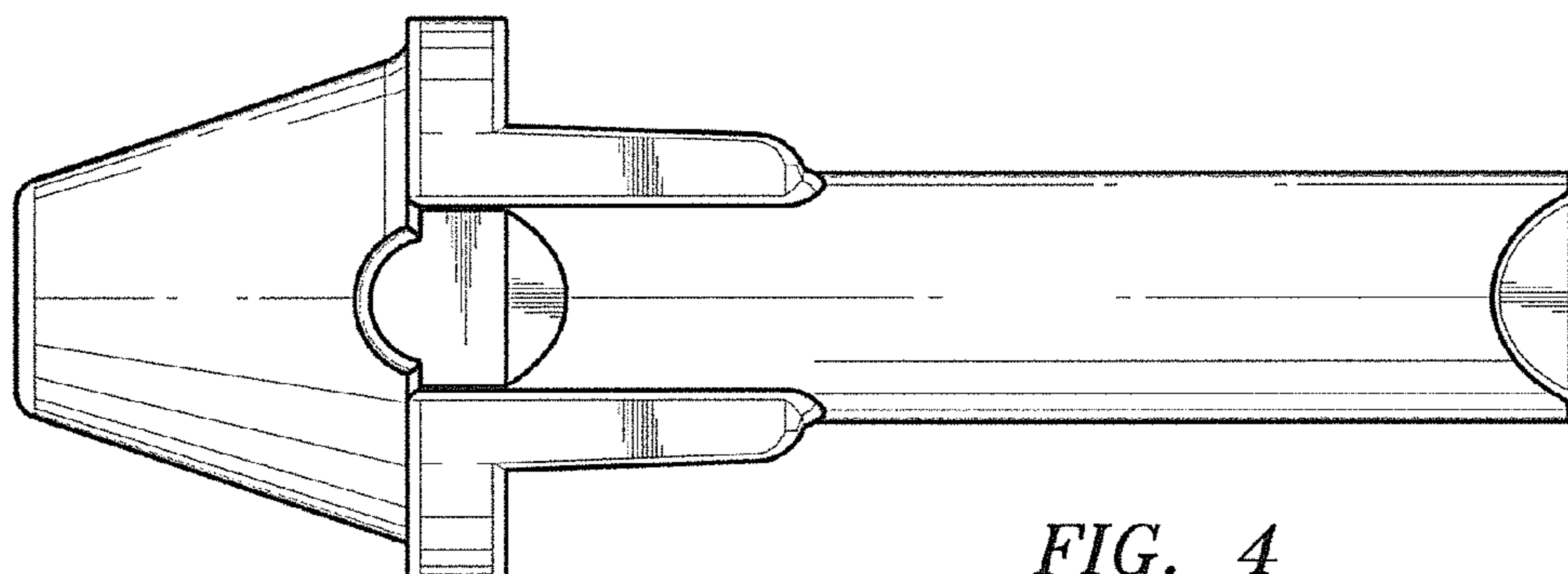


FIG. 4

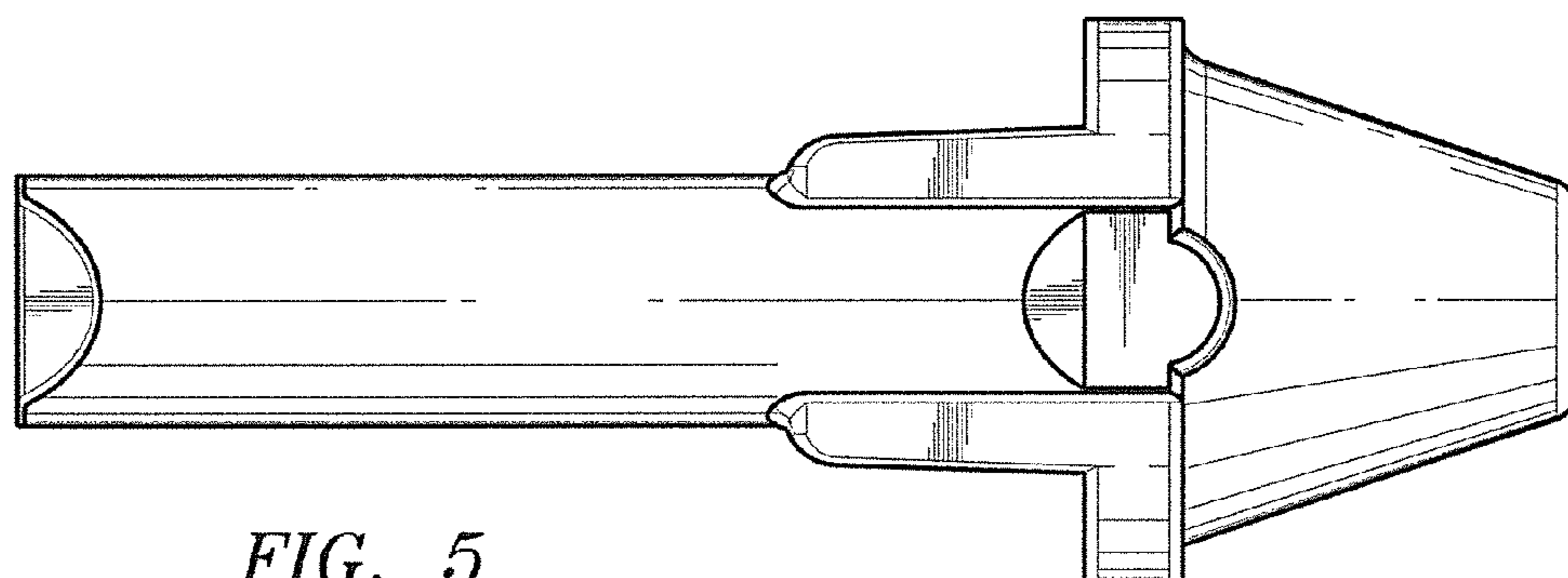
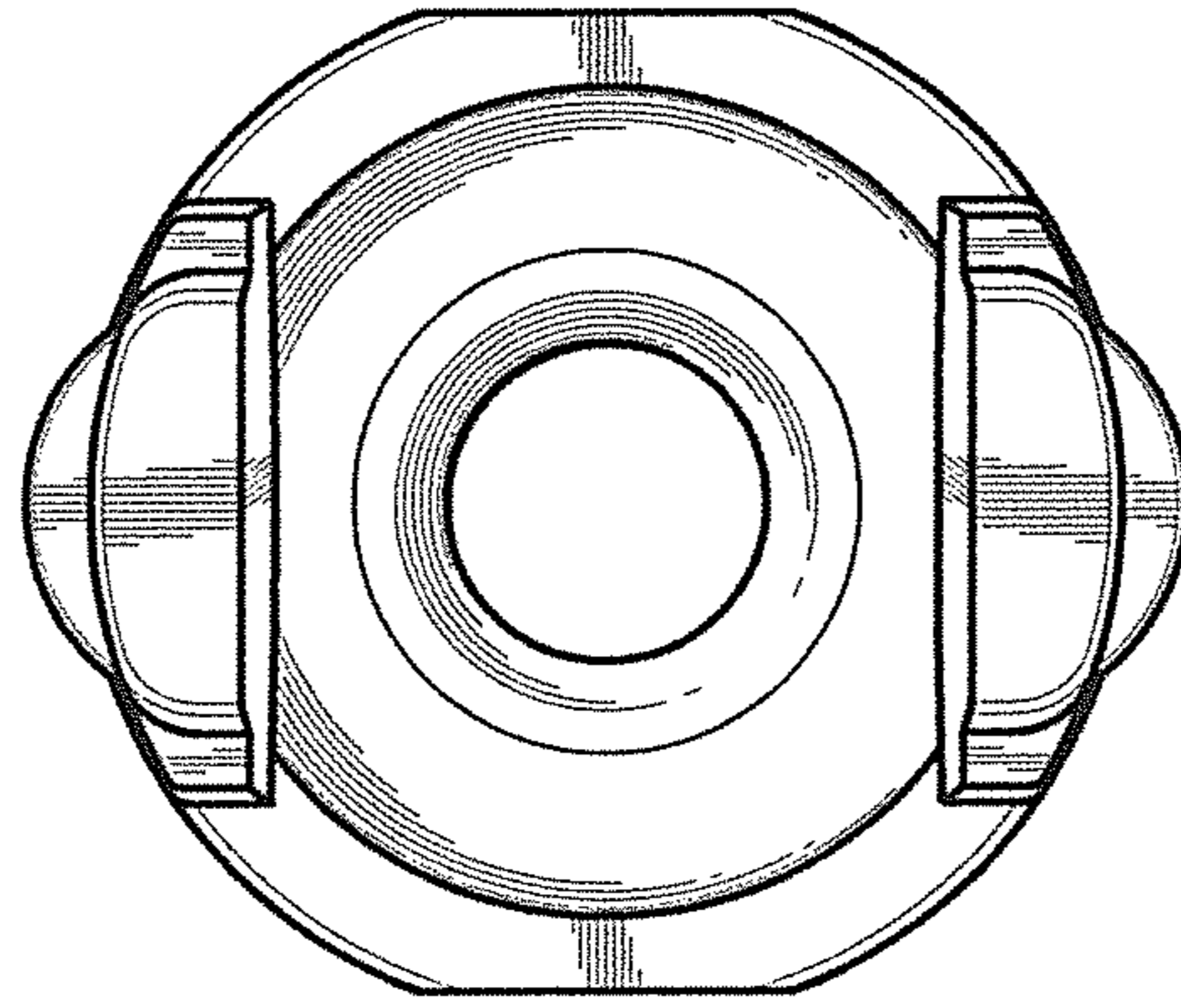
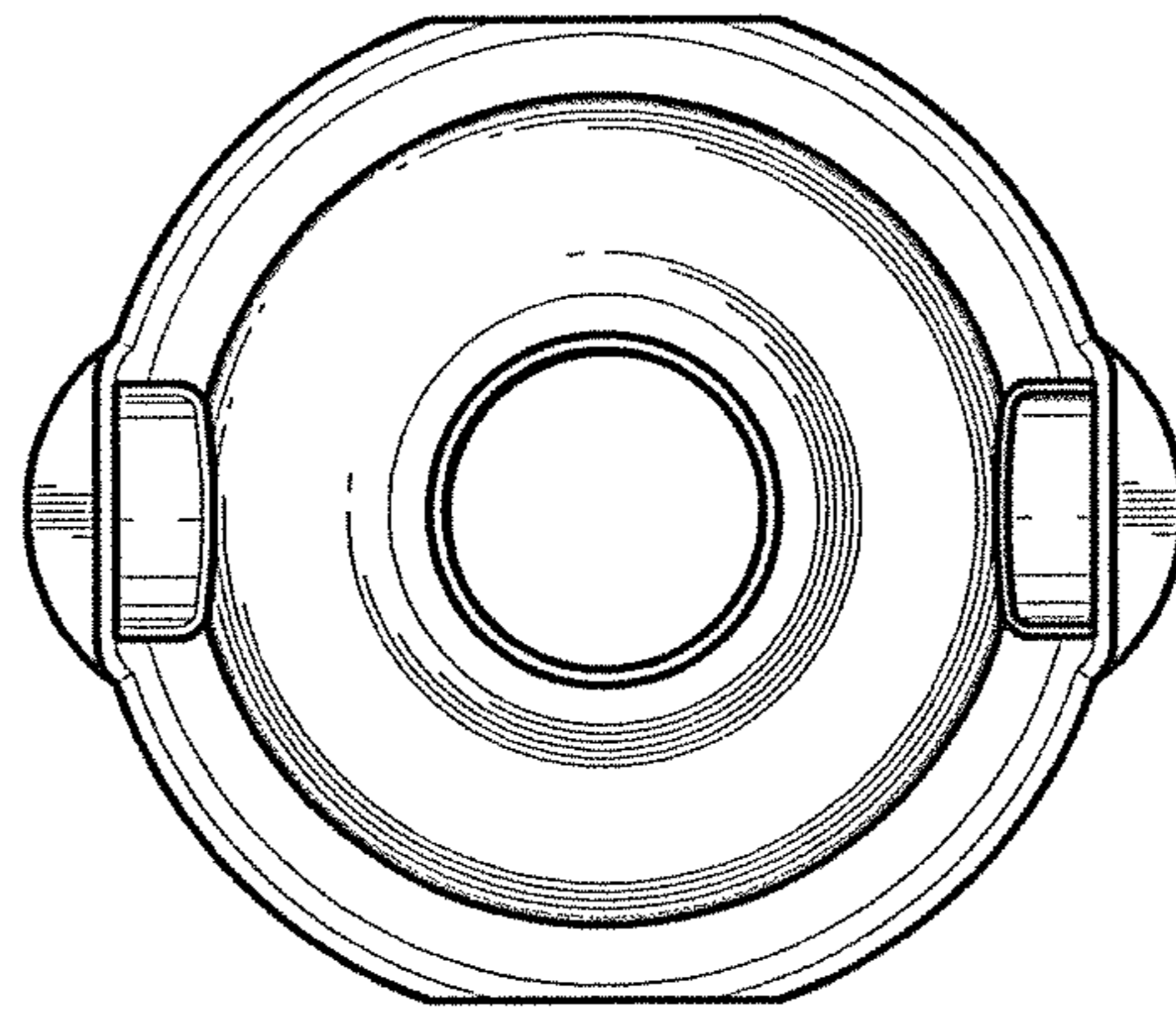


FIG. 5



*FIG. 6*



*FIG. 7*

UNITED STATES PATENT AND TRADEMARK OFFICE  
**CERTIFICATE OF CORRECTION**

PATENT NO. : D718,439 S  
APPLICATION NO. : 29/446546  
DATED : November 25, 2014  
INVENTOR(S) : Kevin Woehr

Page 1 of 1

It is certified that error appears in the above-identified patent and that said Letters Patent is hereby corrected as shown below:

Title Page, under "Description", line 5, delete "thereof" and insert -- thereof; --, therefor.

Signed and Sealed this  
Twenty-first Day of July, 2015



Michelle K. Lee  
*Director of the United States Patent and Trademark Office*