



US00D718437S

(12) **United States Design Patent**  
**Osypka**

(10) **Patent No.:** **US D718,437 S**

(45) **Date of Patent:** **\*\* Nov. 25, 2014**

(54) **STEERABLE GUIDING CATHETER HANDLE**

(75) Inventor: **Thomas P. Osypka**, Palm Harbor, FL  
(US)

(73) Assignee: **Oscor Inc.**, Palm Harbor, FL (US)

(\*\*) Term: **14 Years**

(21) Appl. No.: **29/418,851**

(22) Filed: **Apr. 23, 2012**

(51) **LOC (10) Cl.** ..... **24-02**

(52) **U.S. Cl.**  
USPC ..... **D24/127**

(58) **Field of Classification Search**  
USPC ..... D24/127-131, 112-114, 133, 186;  
606/181, 185; 604/264, 272, 115, 232,  
604/187, 158, 164.08, 192, 263, 163, 181,  
604/184, 198, 227; 600/101, 139, 143;  
128/200.24, 207.14, 207.15  
See application file for complete search history.

(56) **References Cited**

**U.S. PATENT DOCUMENTS**

4,240,411	A *	12/1980	Hosono	600/154
5,984,907	A *	11/1999	McGee et al.	604/525
6,485,411	B1 *	11/2002	Konstorum et al.	600/139
6,527,749	B1 *	3/2003	Roby et al.	604/191
D484,244	S *	12/2003	Starnes	D24/146
6,716,196	B2 *	4/2004	Lesh et al.	604/164.01
7,104,972	B2 *	9/2006	Moller et al.	604/207
7,717,115	B2 *	5/2010	Barrett et al.	128/207.14

8,317,771	B2 *	11/2012	Mitelberg et al.	604/506
D677,380	S *	3/2013	Julian et al.	D24/113
D686,321	S *	7/2013	Essinger et al.	D24/130
8,585,586	B2 *	11/2013	Yamaguchi et al.	600/160
8,597,179	B2 *	12/2013	Kokubo	600/169

\* cited by examiner

*Primary Examiner* — David Muller

(74) *Attorney, Agent, or Firm* — Edwards Wildman Palmer LLP; Scott D. Wofsy

(57) **CLAIM**

The ornamental design for a steerable guiding catheter handle, as shown and described.

**DESCRIPTION**

FIG. 1 is a perspective view of the steerable guiding catheter handle;

FIG. 2 is a top plan view thereof;

FIG. 3 is a bottom plan view thereof;

FIG. 4 is a left side elevation view thereof;

FIG. 5 is a right side elevation view thereof;

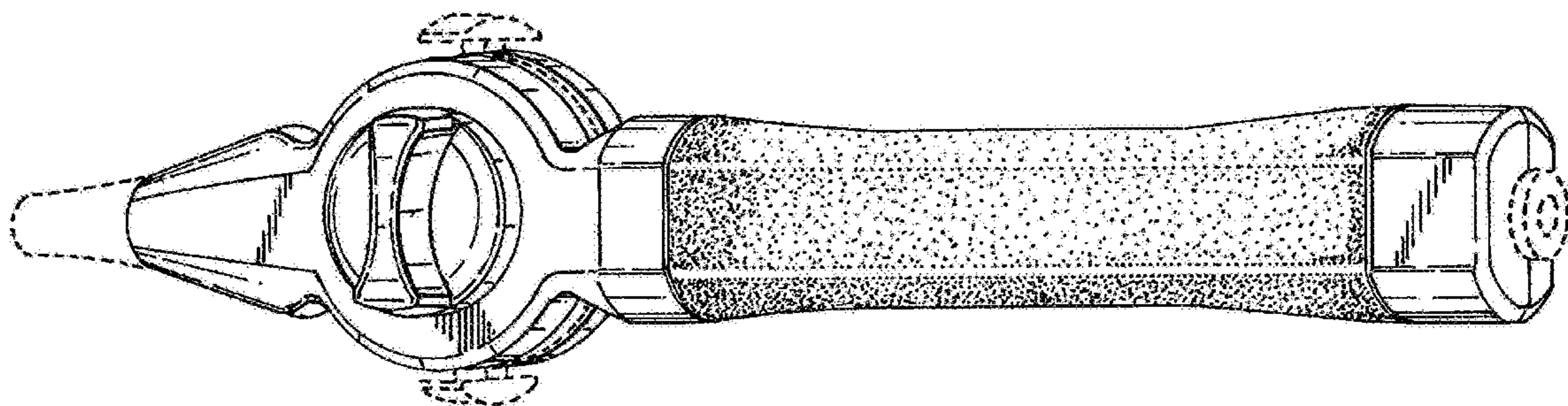
FIG. 6 is a front elevation view thereof; and,

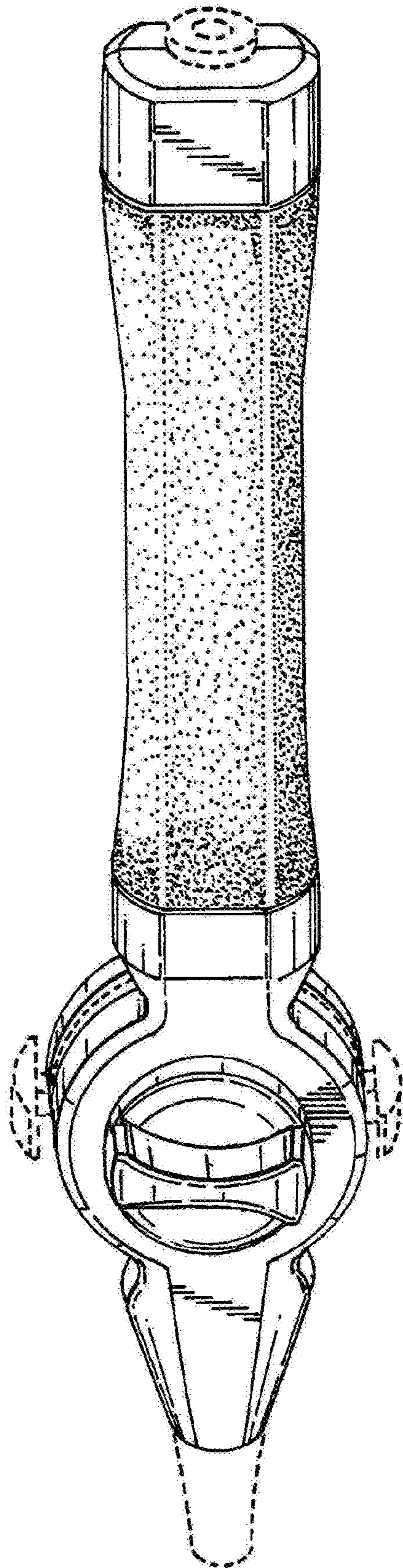
FIG. 7 is a rear elevation view thereof.

The features shown in broken lines depict environmental subject matter only and form no part of the claimed design.

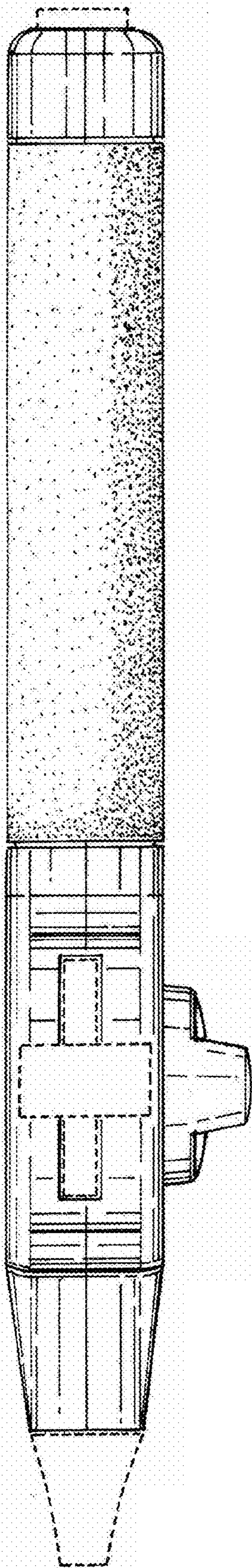
The subject invention is directed to the ornamental design of a steerable guiding sheath handle for use in surgical procedures.

**1 Claim, 4 Drawing Sheets**

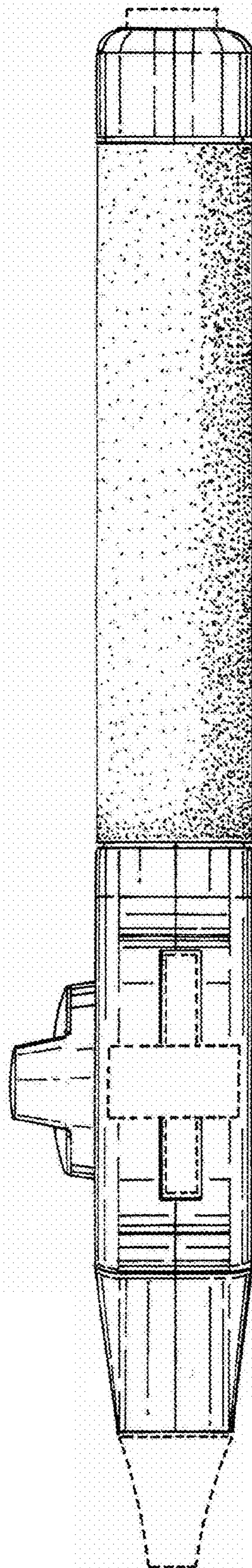




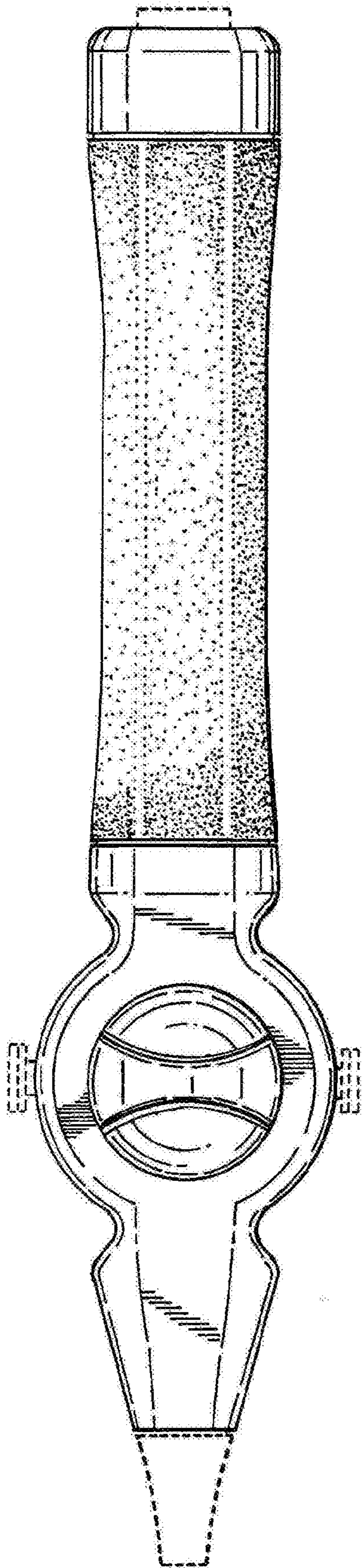
**Fig. 1**



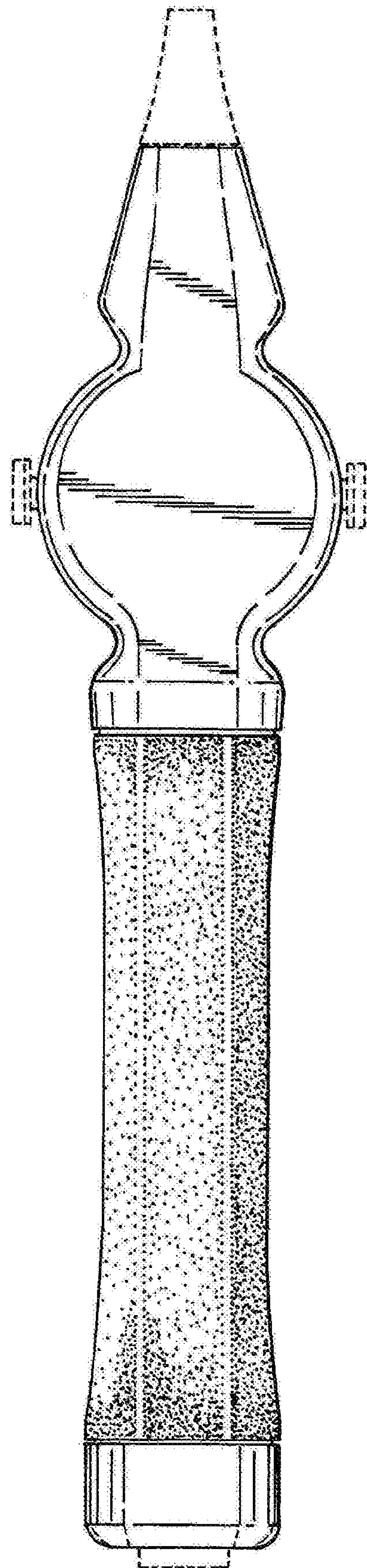
**Fig. 2**



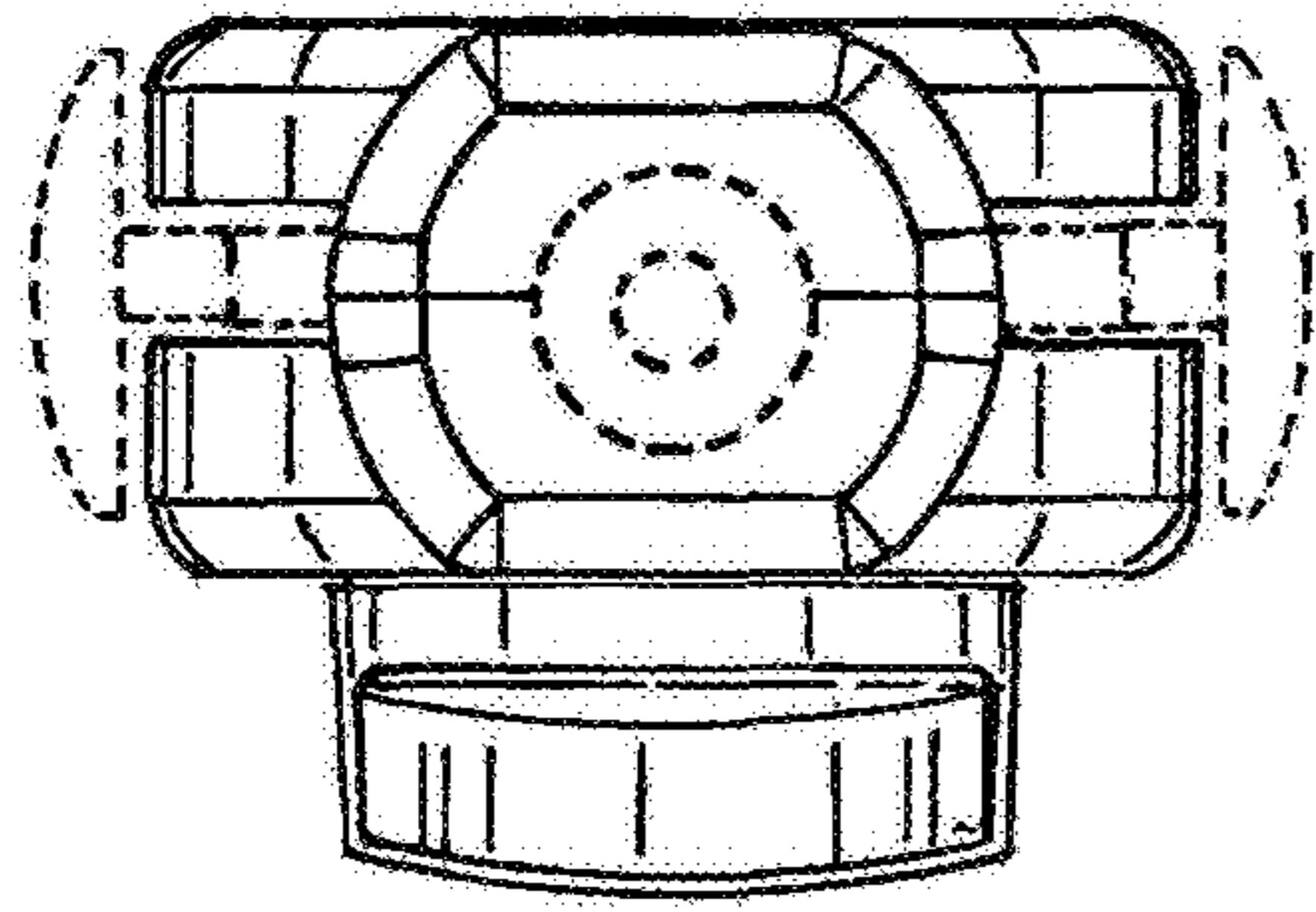
**Fig. 3**



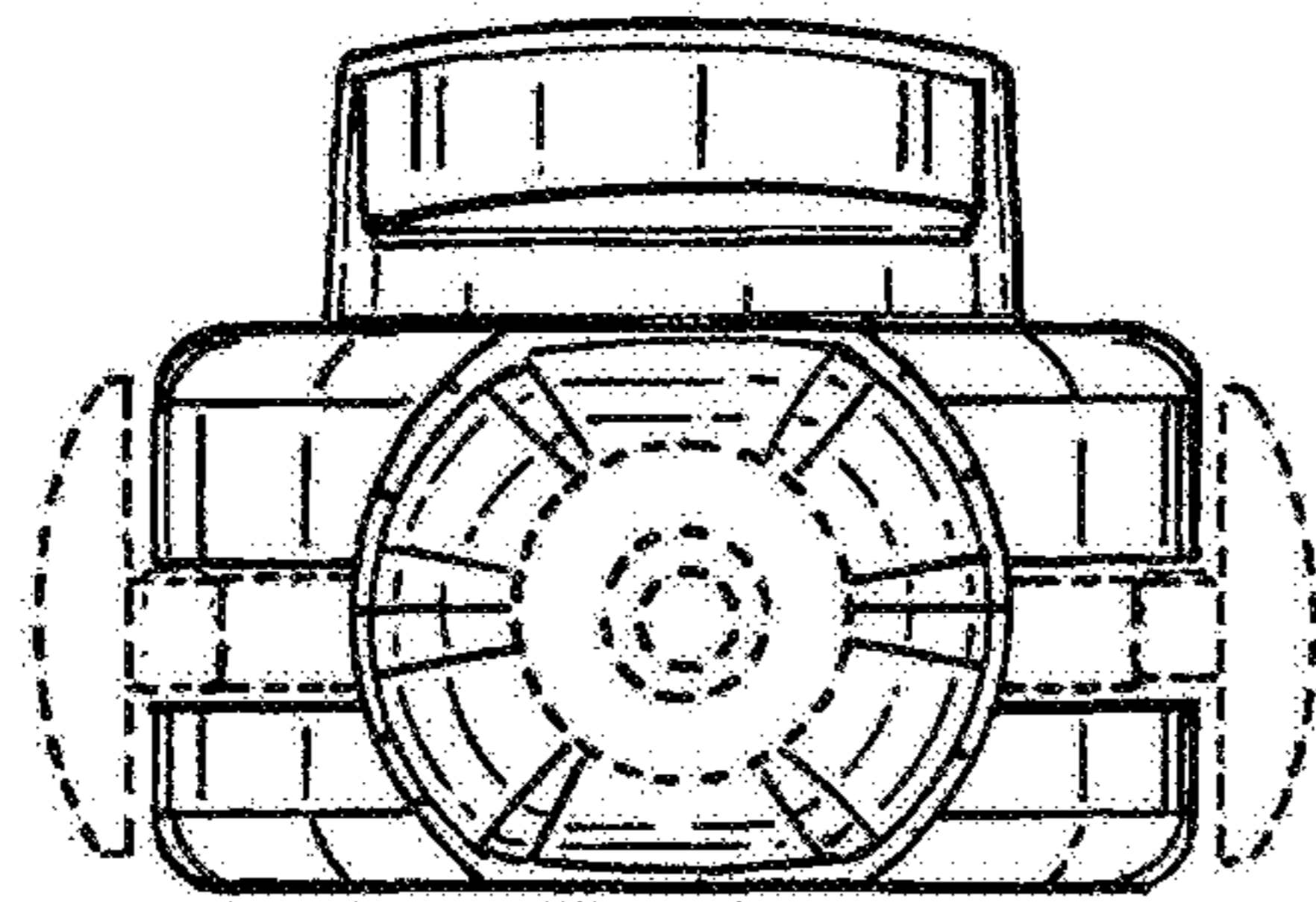
**Fig. 4**



**Fig. 5**



**Fig. 7**



**Fig. 6**