



US00D718435S

(12) **United States Design Patent**
Deckman et al.

(10) **Patent No.:** **US D718,435 S**
(45) **Date of Patent:** **** Nov. 25, 2014**

(54) **INTRAUTERINE INSERTION DEVICE**
(75) Inventors: **Rob Deckman**, San Bruno, CA (US);
Richard E. Repp, San Jose, CA (US);
Curt Guyer, Dublin, CA (US); **Justin Westendorf**, Santa Clara, CA (US);
Timothy Parmer, Brooklyn Park, MN (US)

(73) Assignee: **Medicines360**, San Francisco, CA (US)

(**) Term: **14 Years**

(21) Appl. No.: **29/423,206**

(22) Filed: **May 30, 2012**

(51) **LOC (10) Cl.** **28-01**

(52) **U.S. Cl.**

CPC **A61F 6/06** (2013.01)

USPC **D24/105**

(58) **Field of Classification Search**

CPC **A61F 6/06**

USPC **D24/105, 135; 127/830-841;**

606/191-200

See application file for complete search history.

(56) **References Cited**

U.S. PATENT DOCUMENTS

3,230,953	A *	1/1966	Birnberg et al.	128/839
3,253,590	A *	5/1966	Birnberg et al.	128/840
3,407,806	A *	10/1968	Hulka et al.	128/840
3,467,088	A *	9/1969	Robinson	128/840
3,577,987	A *	5/1971	Bronnenkant	128/839
3,783,861	A	1/1974	Abramson	
3,794,025	A *	2/1974	Lerner	128/840
3,902,483	A	9/1975	Place et al.	
3,918,444	A *	11/1975	Hoff et al.	128/840
3,937,217	A	2/1976	Kosonen	

4,353,363	A	10/1982	Sopena
4,359,046	A	11/1982	Shaw
4,372,302	A	2/1983	Akerlund
4,381,001	A	4/1983	Shaw
4,495,934	A	1/1985	Shaw
4,830,025	A	5/1989	Gainutdinova et al.
4,920,727	A	5/1990	Ristimaki et al.
4,949,732	A	8/1990	Spoon et al.
4,957,119	A	9/1990	De Nijs
5,084,004	A	1/1992	Ranoux
5,088,505	A	2/1992	De Nijs
5,370,129	A	12/1994	Diez
5,400,804	A	3/1995	Helle et al.

(Continued)

FOREIGN PATENT DOCUMENTS

EP	0455767	B1	1/1995
WO	WO88-04544	A1	6/1988

(Continued)

Primary Examiner — Richard E Chilcot

(74) *Attorney, Agent, or Firm* — Shartsis Friese LLP; Cecily Anne O'Regan

(57) **CLAIM**

The ornamental design for an intrauterine insertion device, as shown and described.

DESCRIPTION

FIG. 1 is a perspective view of an intrauterine insertion device;

FIG. 2 is a front view of an intrauterine insertion device;

FIG. 3 is a back view of an intrauterine insertion device;

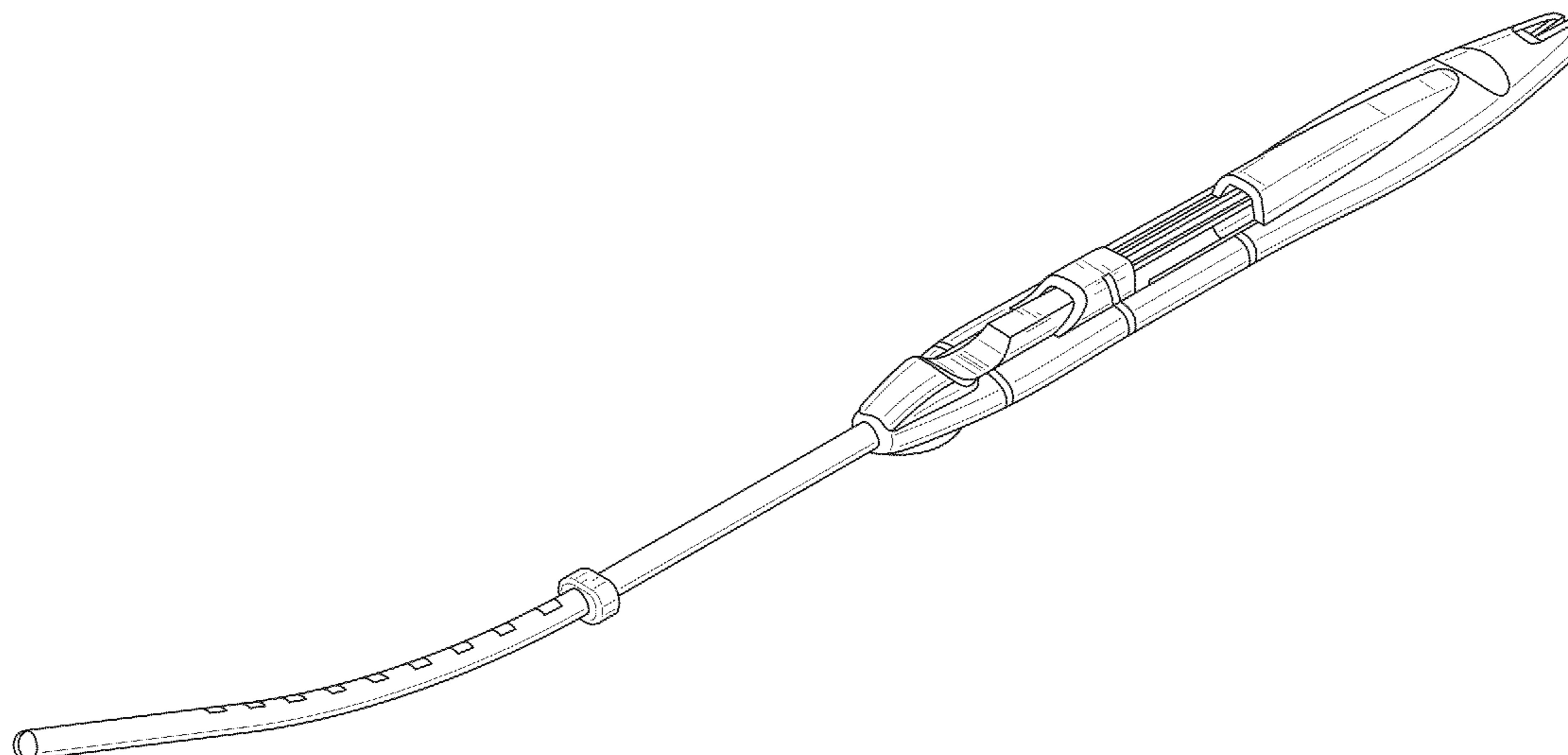
FIG. 4 is a left side view of an intrauterine insertion device;

FIG. 5 is a right side view of an intrauterine insertion device;

FIG. 6 is a top view of an intrauterine insertion device; and,

FIG. 7 is a bottom view of an intrauterine insertion device.

1 Claim, 4 Drawing Sheets



(56)

References Cited

FOREIGN PATENT DOCUMENTS

U.S. PATENT DOCUMENTS

RE35,636 E 10/1997 Diez
 5,785,053 A 7/1998 Macandrew et al.
 6,039,968 A 3/2000 Nabahi
 6,056,976 A 5/2000 Makkula et al.
 6,063,395 A 5/2000 Markkula et al.
 6,103,256 A 8/2000 Nabahi
 6,117,442 A 9/2000 Markkula et al.
 6,414,151 B1 7/2002 Matson et al.
 6,794,464 B2 9/2004 Jukarainen et al.
 6,887,948 B2 5/2005 Jukarainen et al.
 D603,038 S * 10/2009 Korteso et al. D24/105
 7,661,429 B2 2/2010 Jutila
 D612,931 S * 3/2010 Korteso et al. D24/105
 7,862,552 B2 1/2011 McIntyre et al.
 8,381,733 B2 * 2/2013 Lowe et al. 128/830
 8,679,103 B2 * 3/2014 Krespi 606/16
 8,726,906 B2 * 5/2014 Lee-Sepsick et al. 128/831
 8,733,360 B2 * 5/2014 Nikolchev et al. 128/830
 8,733,361 B2 * 5/2014 Nikolchev et al. 128/830
 2005/0045183 A1 3/2005 Callister et al.
 2007/0009564 A1 1/2007 McClain et al.
 2008/0095825 A1 4/2008 Lafront
 2009/0123522 A1 5/2009 Browing
 2010/0015200 A1 1/2010 McClain

WO WO90-02478 A1 3/1990
 WO WO91-07934 A1 6/1991
 WO WO92-07590 A1 5/1992
 WO WO93-00055 A1 1/1993
 WO WO93-20797 A1 10/1993
 WO WO94-04109 A1 3/1994
 WO WO95-09006 A1 4/1995
 WO WO96-18365 A1 6/1996
 WO WO96-40259 A2 12/1996
 WO WO97-39743 A1 10/1997
 WO WO99-02141 A1 1/1999
 WO WO00-45797 A1 2/2000
 WO WO01-37770 A1 5/2001
 WO WO01-85132 A1 11/2001
 WO WO02-43806 A2 6/2002
 WO WO02-079778 A2 10/2002
 WO WO03-017971 A1 3/2003
 WO WO03-018102 A2 3/2003
 WO WO2005-000161 A2 1/2005
 WO WO2008-023389 A1 2/2008
 WO WO2008-081175 A2 7/2008
 WO WO2009-002542 A1 12/2008
 WO WO2009-101412 A1 8/2009
 WO WO2010-000943 A1 1/2010
 WO WO2010-031900 A1 3/2010

* cited by examiner

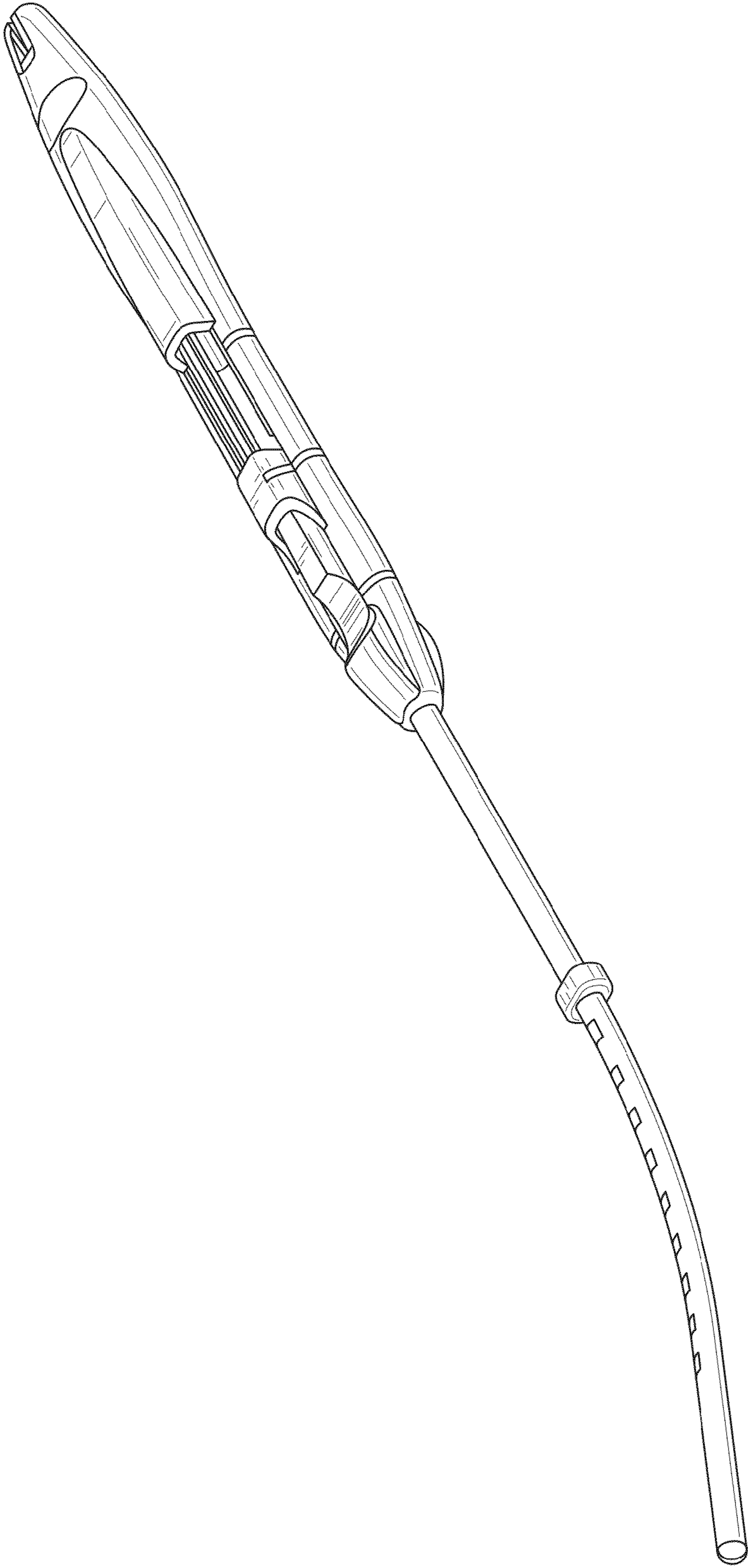


FIG. 1

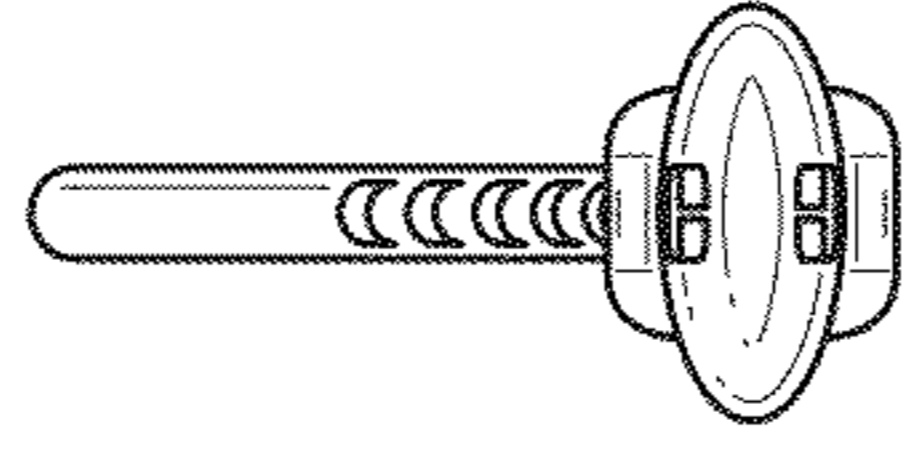


FIG. 3

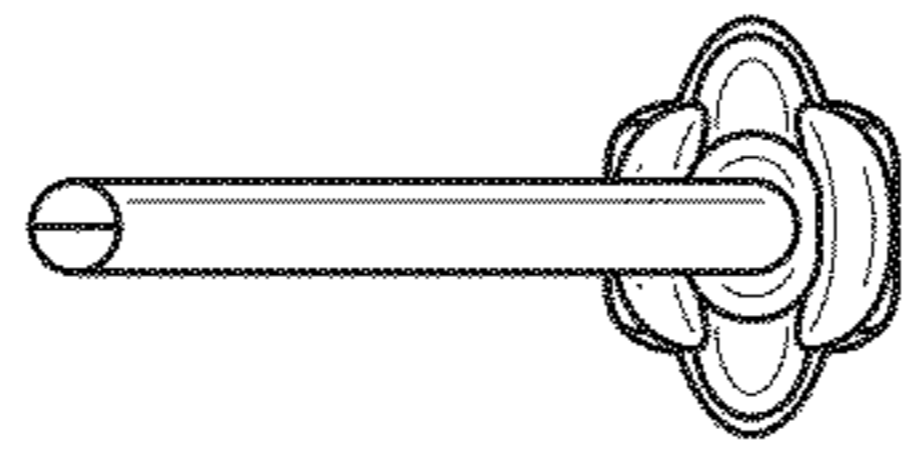


FIG. 2

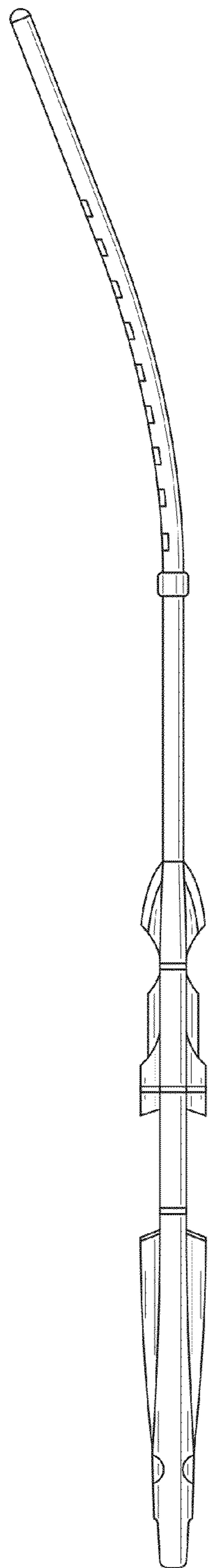


FIG. 4

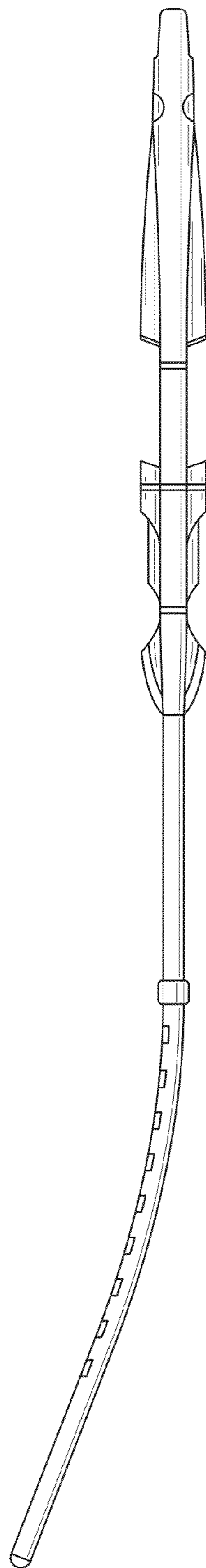


FIG. 5

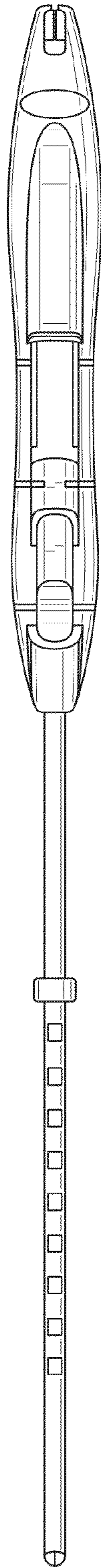


FIG. 6

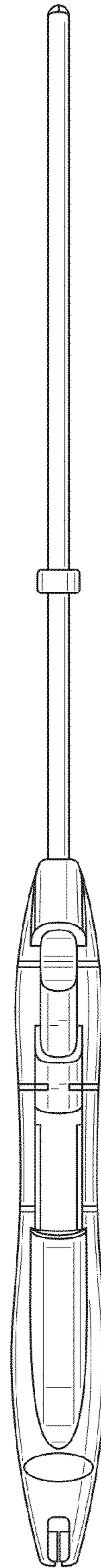


FIG. 7