



US00D718433S

(12) **United States Design Patent**  
**Abate et al.**

(10) **Patent No.:** **US D718,433 S**  
(45) **Date of Patent:** **\*\* Nov. 25, 2014**

(54) **HOOD FOR A BURNER**  
(75) Inventors: **Massimo Abate**, Legnago (IT);  
**Gianluca Argentini**, Legnago (IT)  
(73) Assignee: **Riello S.p.A.**, Legnago (IT)  
(\*\*) Term: **14 Years**  
(21) Appl. No.: **29/416,555**  
(22) Filed: **Mar. 23, 2012**

(30) **Foreign Application Priority Data**

Feb. 14, 2012 (EM) ..... 001314553

(51) **LOC (10) Cl.** ..... **23-04**  
(52) **U.S. Cl.**  
USPC ..... **D23/386**

(58) **Field of Classification Search**  
USPC ..... D23/385-395, 397, 370-373, 365, 354,  
D23/399-403, 421, 499; 454/309, 275-277,  
454/284, 287-291, 358-363; 52/302.1,  
52/32.07; 285/229, 189, 183, 123.1, 15,  
285/114, 110, 424, 197; 126/299 R-299 F  
See application file for complete search history.

(56) **References Cited**

**U.S. PATENT DOCUMENTS**

3,738,621 A \* 6/1973 Anderson ..... 454/156  
D330,415 S \* 10/1992 Thomas ..... D23/371

D330,588 S \* 10/1992 Lindeen ..... D23/373  
D378,420 S \* 3/1997 Holby, Jr. .... D25/48.3  
D391,632 S \* 3/1998 Thomas ..... D23/393  
D528,482 S \* 9/2006 Hamburger ..... D12/181  
D598,534 S \* 8/2009 Marchesini ..... D23/386  
D628,126 S \* 11/2010 Tai ..... D12/106  
D629,093 S \* 12/2010 Polston ..... D23/373  
D629,094 S \* 12/2010 Thomas ..... D23/387  
D666,285 S \* 8/2012 Schrad et al. .... D23/387  
D672,450 S \* 12/2012 Milks et al. .... D23/387  
D679,796 S \* 4/2013 Thomas ..... D23/387

\* cited by examiner

*Primary Examiner* — David Muller

(74) *Attorney, Agent, or Firm* — Davidson Berquist Jackson  
& Gowdey, LLP

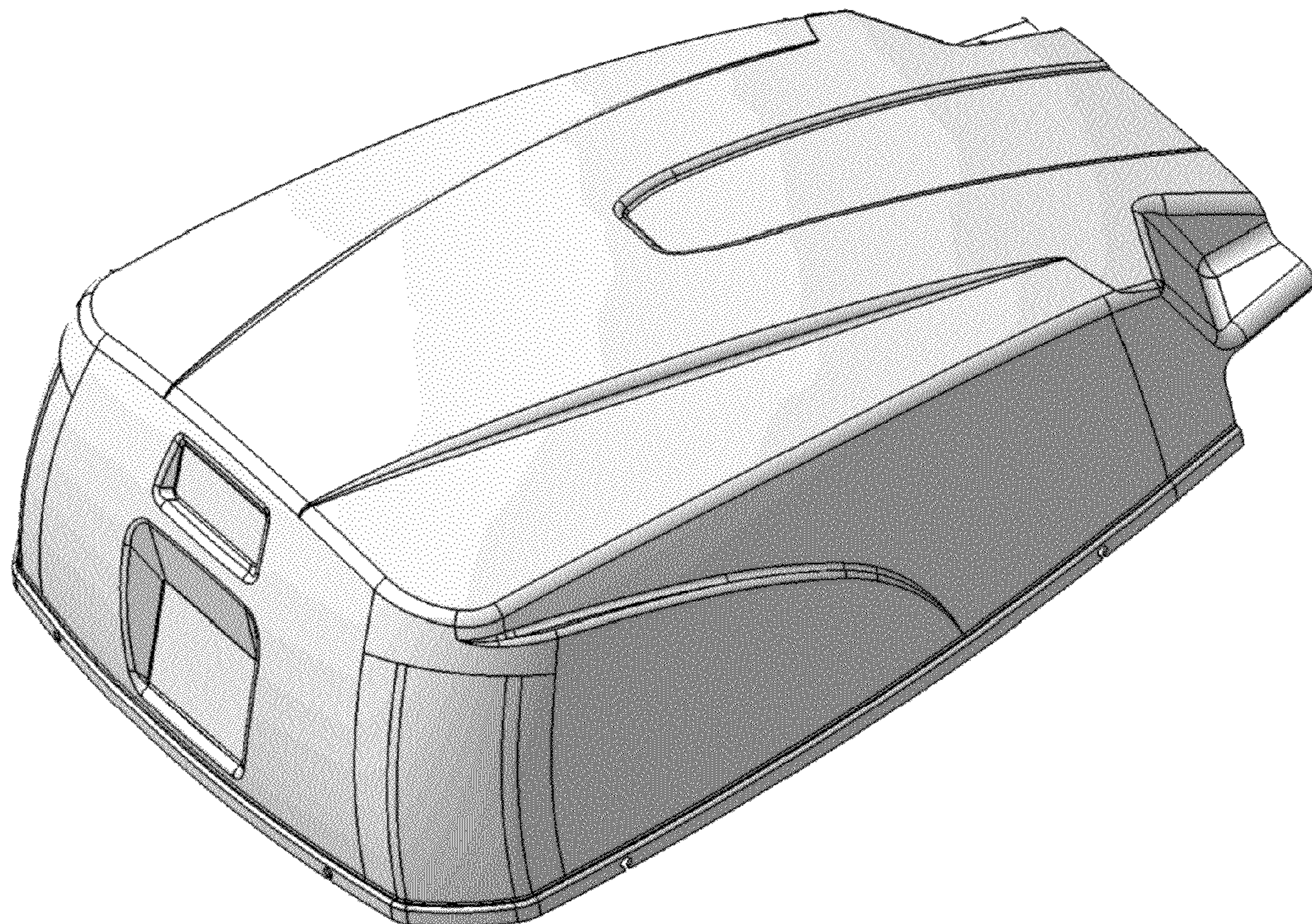
(57) **CLAIM**

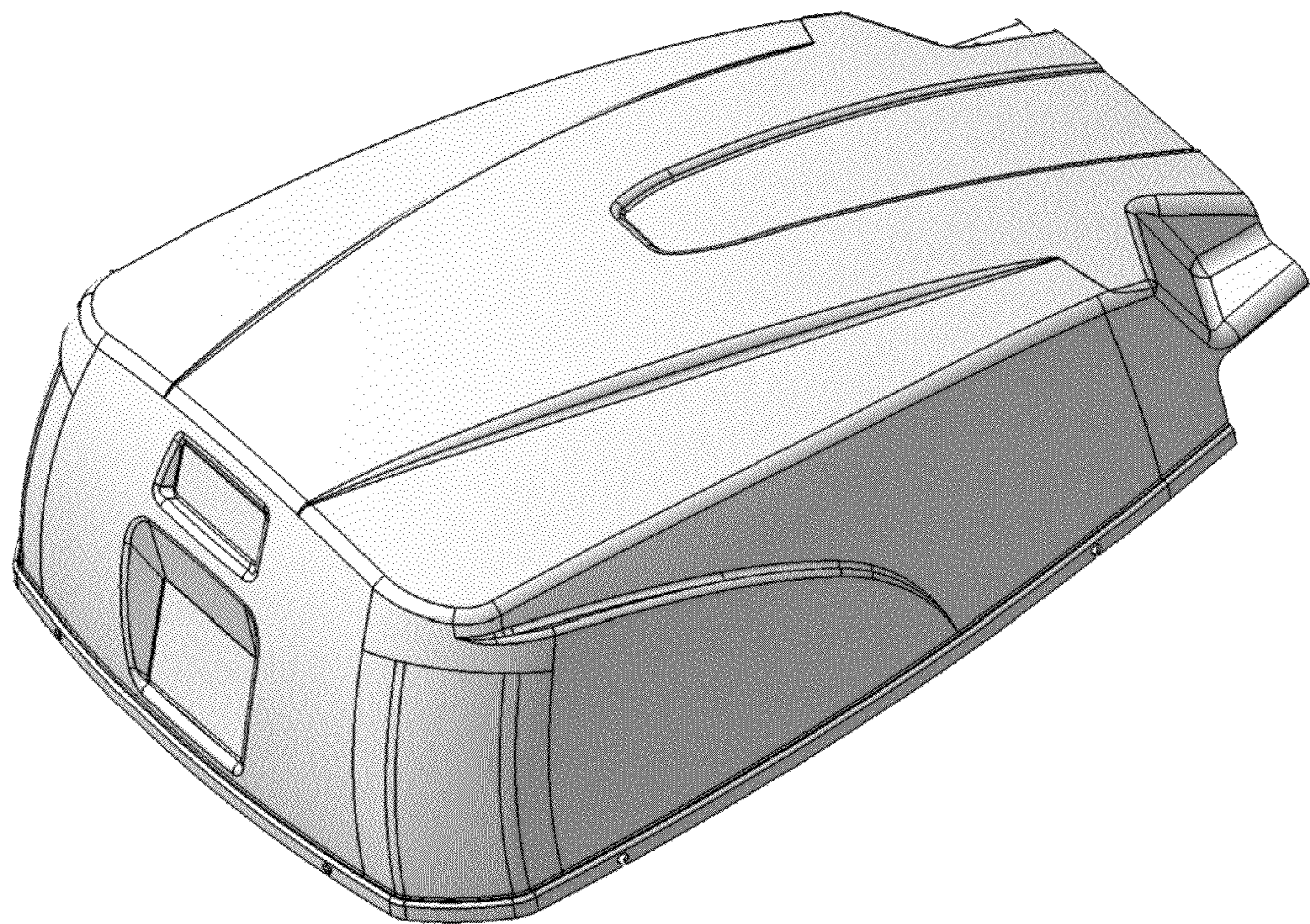
The ornamental design for a hood for a burner, as shown and described.

**DESCRIPTION**

FIG. 1 a perspective view of a hood for burners according to the present design;  
FIG. 2 is a rear view thereof;  
FIG. 3 is a front view thereof;  
FIG. 4 is a right lateral view thereof;  
FIG. 5 is a left lateral view thereof;  
FIG. 6 is a top view thereof; and,  
FIG. 7 is a bottom view thereof.

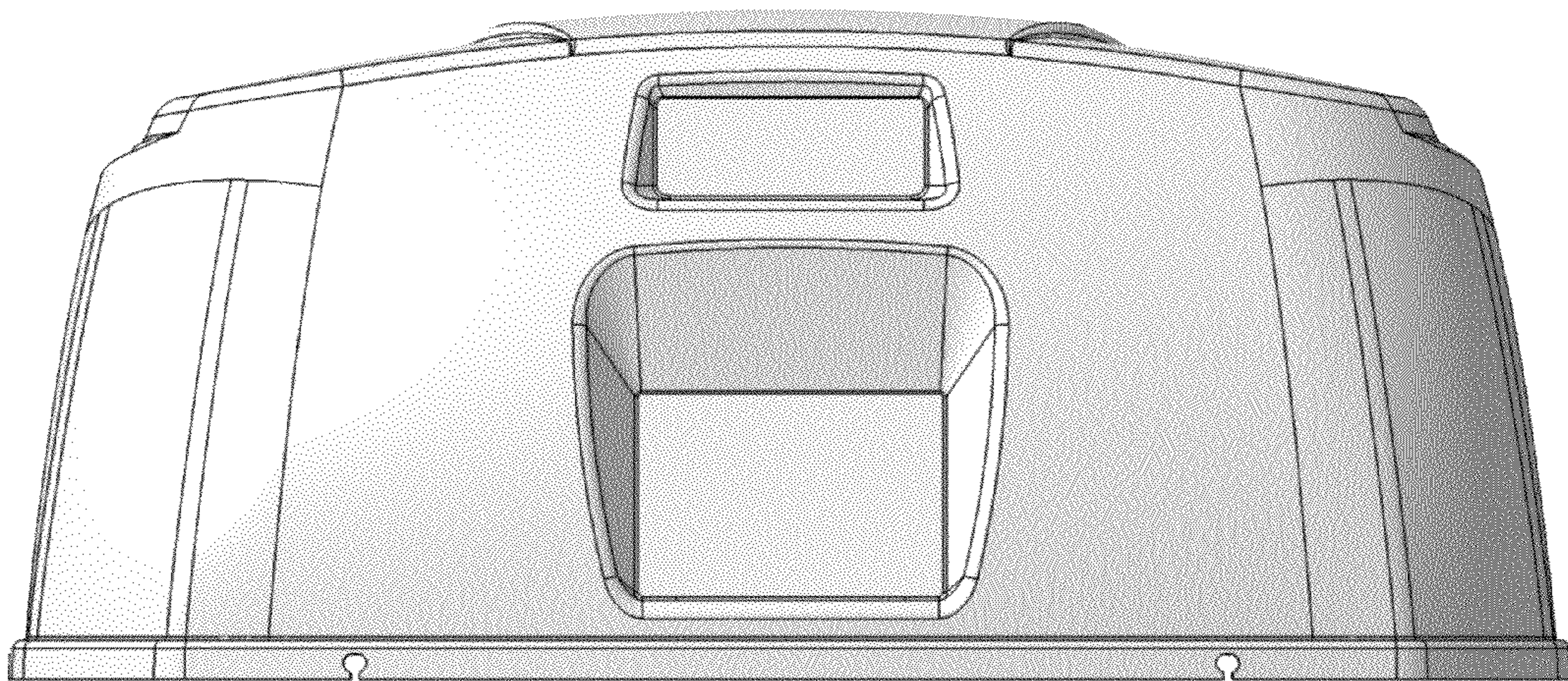
**1 Claim, 7 Drawing Sheets**

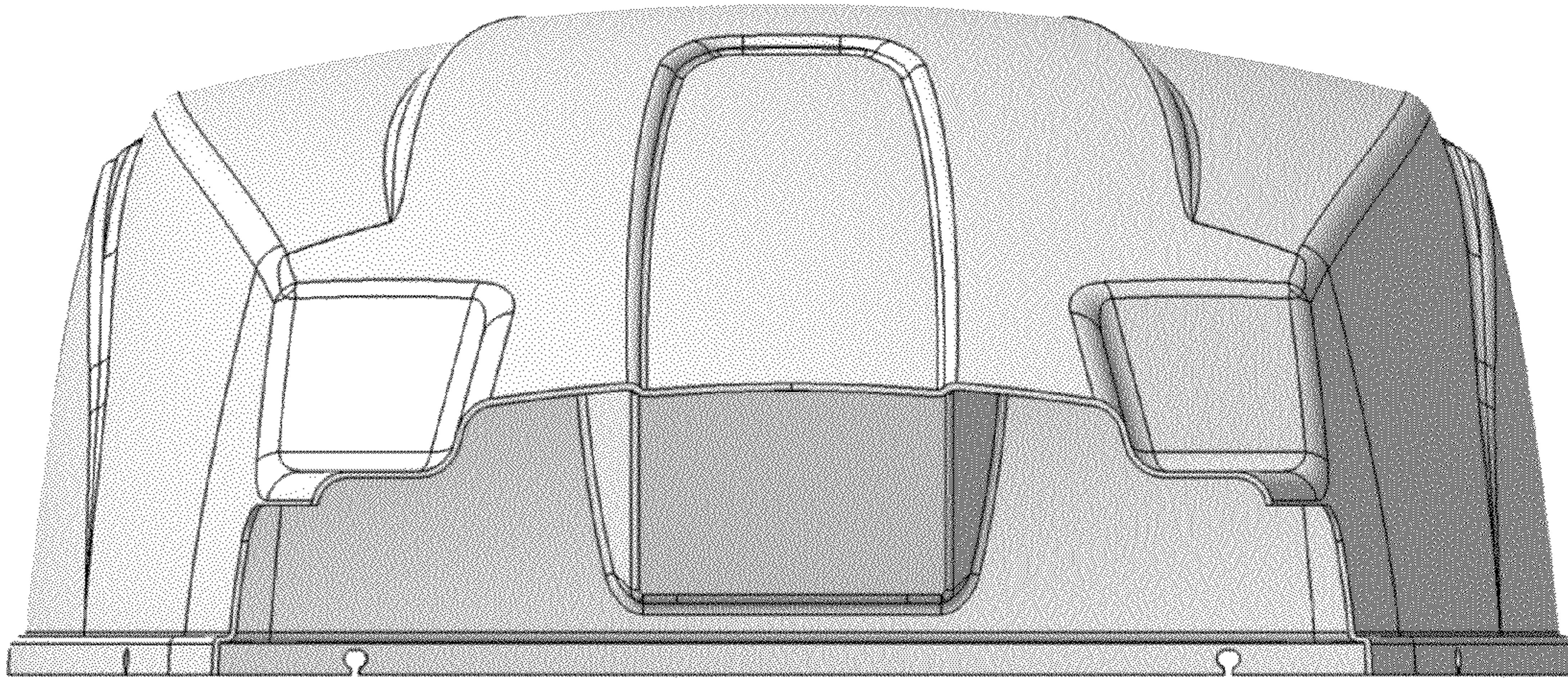




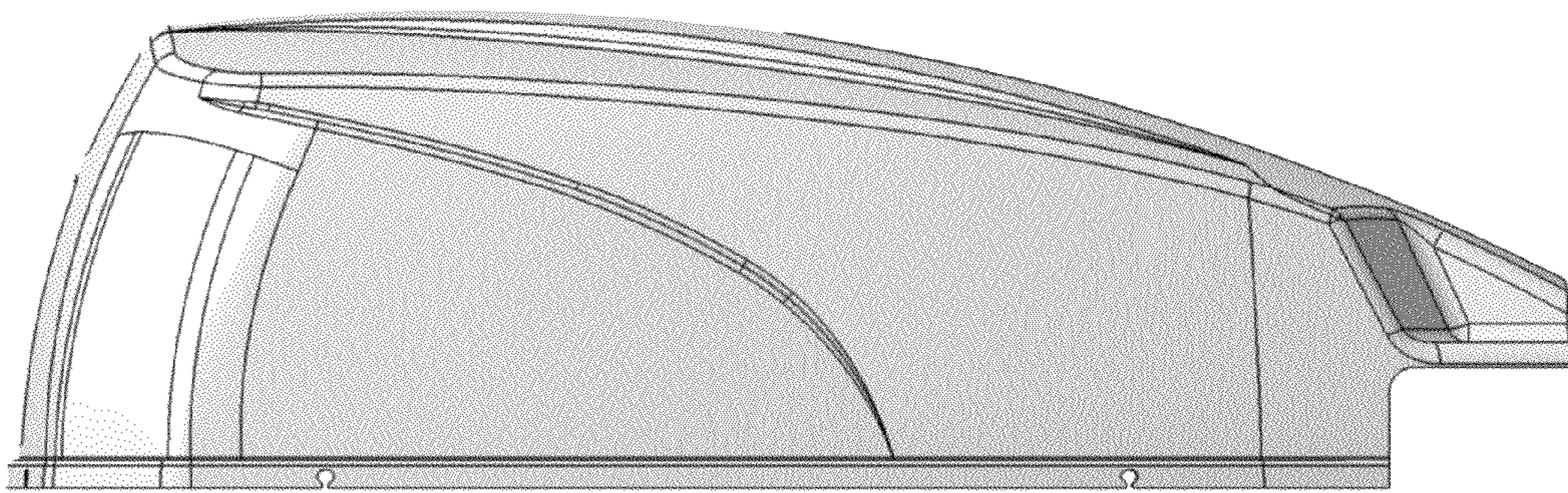
**FIG. 1**

**Fig. 2**

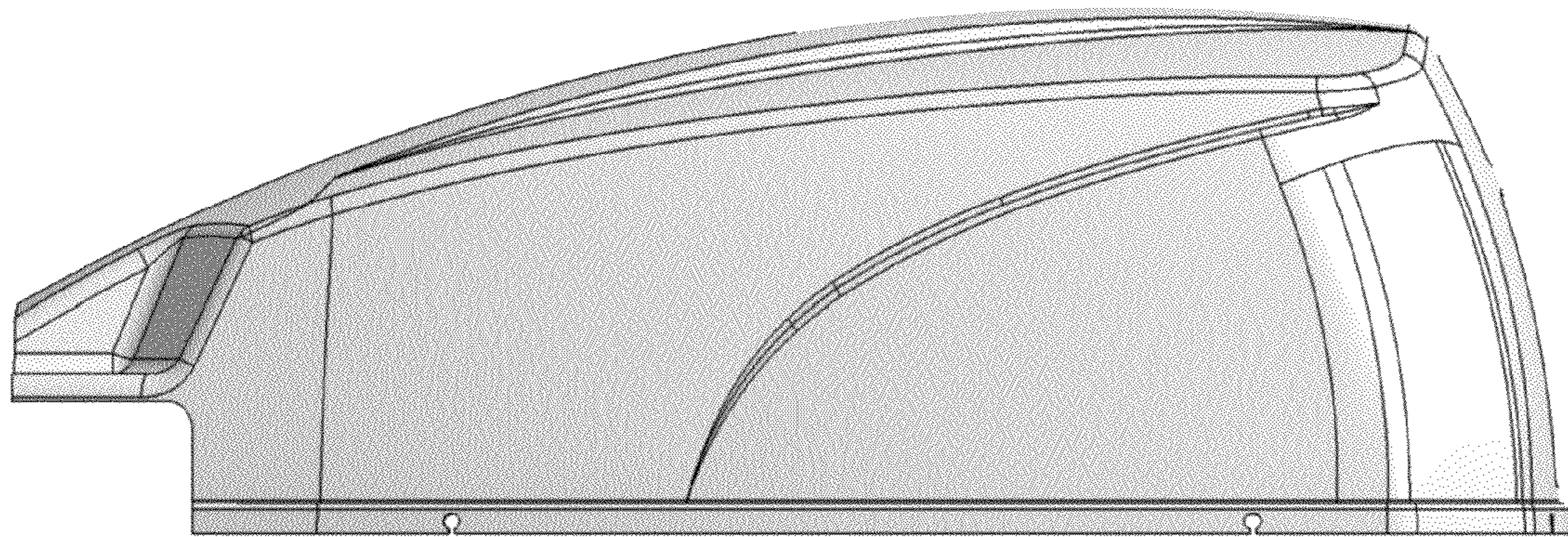




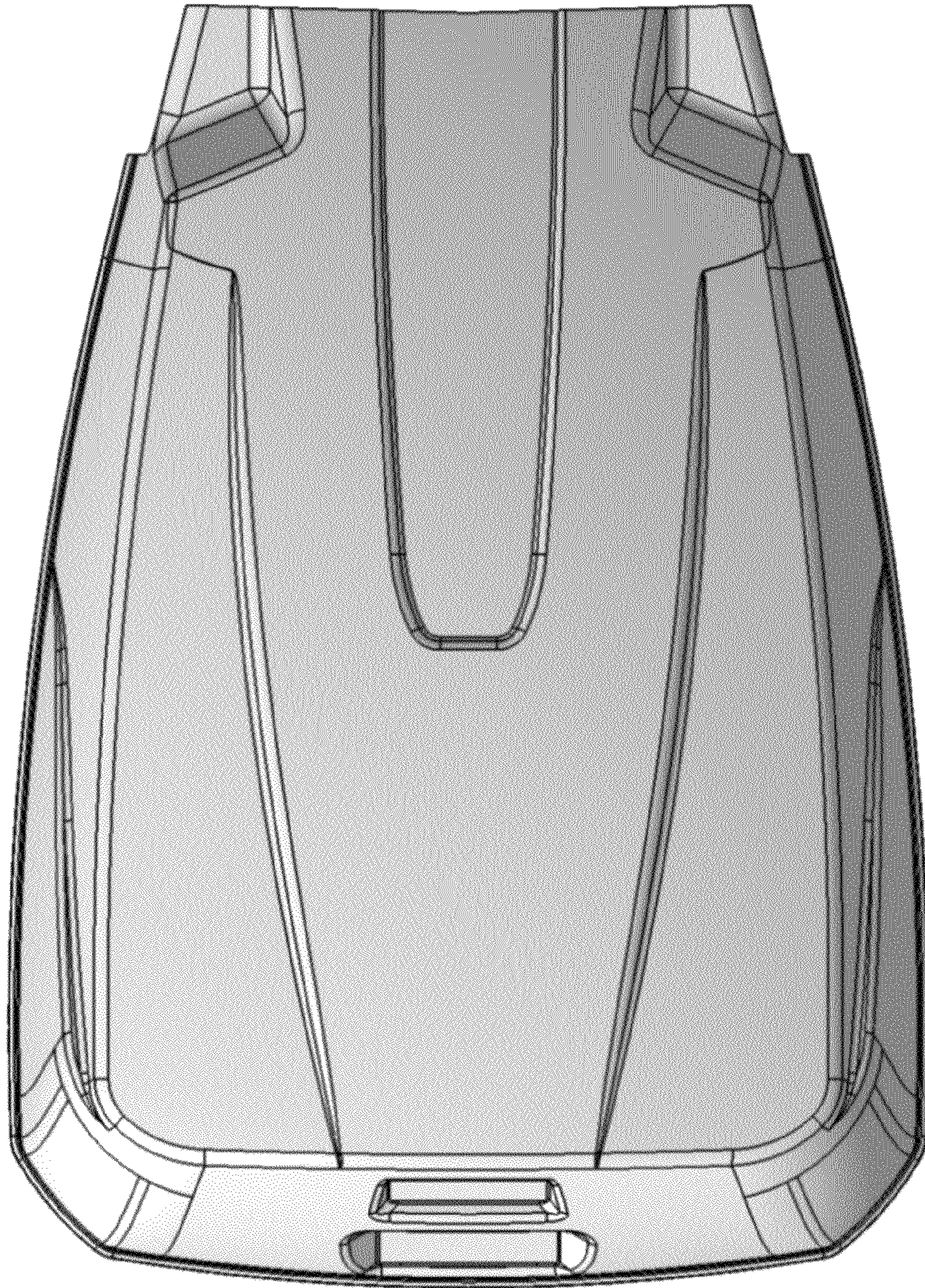
**FIG. 3**



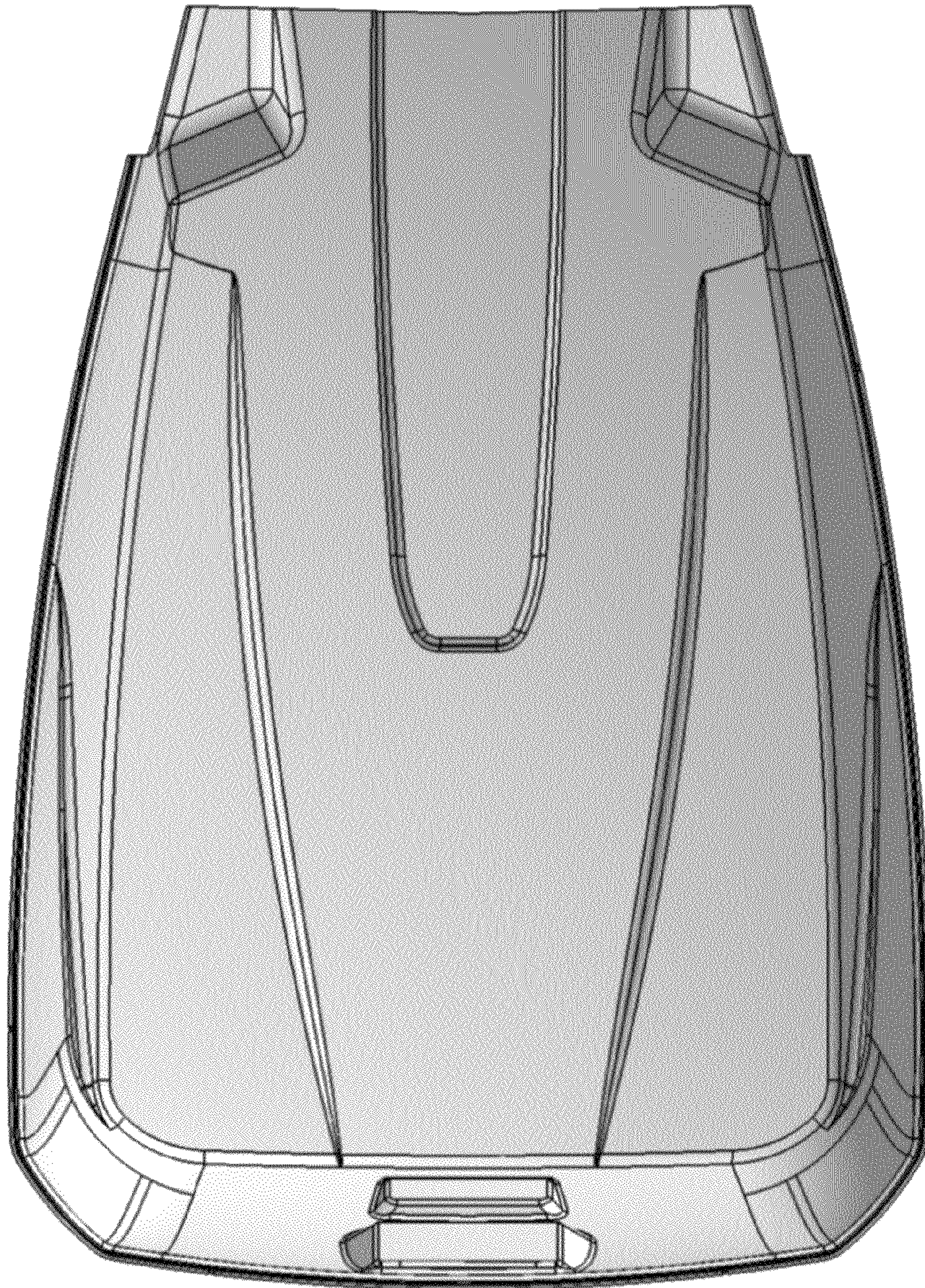
**FIG. 4**



**FIG. 5**



**FIG. 6**



**FIG. 7**